

United States Patent [19]

Ramsey et al.

[11] Patent Number: **Des. 303,468**

[45] Date of Patent: **** Sep. 19, 1989**

[54] **BATHROOM TISSUE HOLDER**

[75] Inventors: **Roger H. Ramsey, Copley; Mitchell L. Wilgus, Akron, both of Ohio**

[73] Assignee: **Stanadyne, Inc., Windsor, Conn.**

[*] Notice: The portion of the term of this patent subsequent to Sep. 19, 2003 has been disclaimed.

[**] Term: **14 Years**

[21] Appl. No.: **3,307**

[22] Filed: **Jan. 13, 1987**

[52] U.S. Cl. **D6/523**

[58] Field of Search **D6/512, 524, 546, 547, D6/550; 211/123; 248/251; 108/29; 242/55.2**

[56] **References Cited**

U.S. PATENT DOCUMENTS

D. 27,608	8/1897	Clark	D8/367
D. 121,897	8/1940	Hager	D8/367
D. 256,862	9/1980	Ryan et al.	D6/549
D. 259,753	7/1981	Fleischman et al.	D6/549

D. 296,844	7/1988	Ramsey et al.	D6/323
3,643,884	2/1972	Curtin	242/55.2

OTHER PUBLICATIONS

Amerock Catalogue (1984) p. 14, Towel Rod and tissue Holder.

Londonware Catalogue (1981) p. 7, "Wall Accessory Group".

Primary Examiner—Wallace R. Burke

Assistant Examiner—Brian N. Vinson

Attorney, Agent, or Firm—Kinzer, Plyer, Dorn, McEachran & Jambor

[57] **CLAIM**

The ornamental design for a bathroom tissue holder, as shown and described.

DESCRIPTION

FIG. 1 is a front elevational view of a bathroom tissue holder showing our new design;

FIG. 2 is a left side elevational view thereof;

FIG. 3 is a right side elevational view thereof;

FIG. 4 is a top plan view thereof; and

FIG. 5 is a bottom plan view thereof.

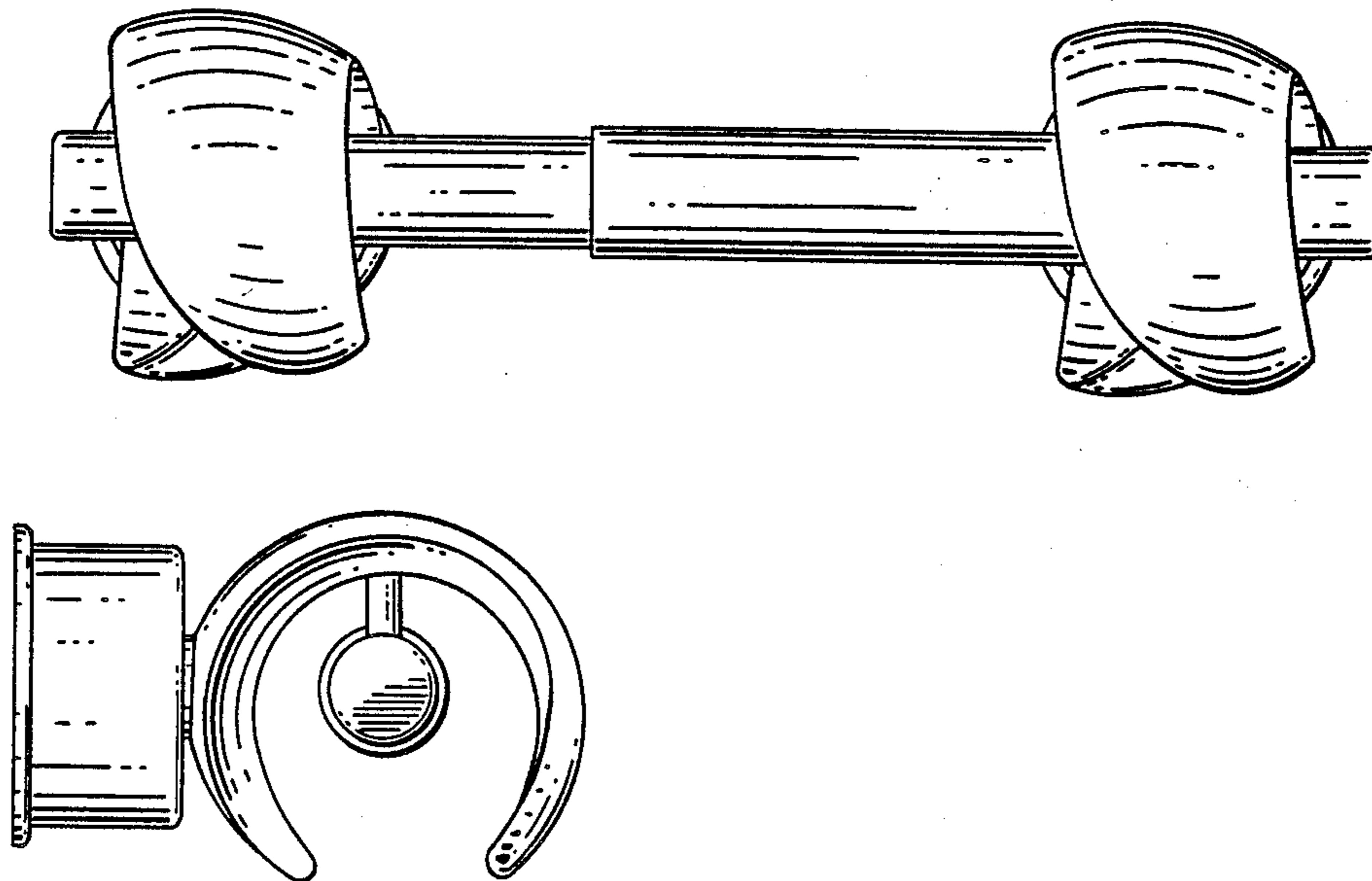


FIG. 1.

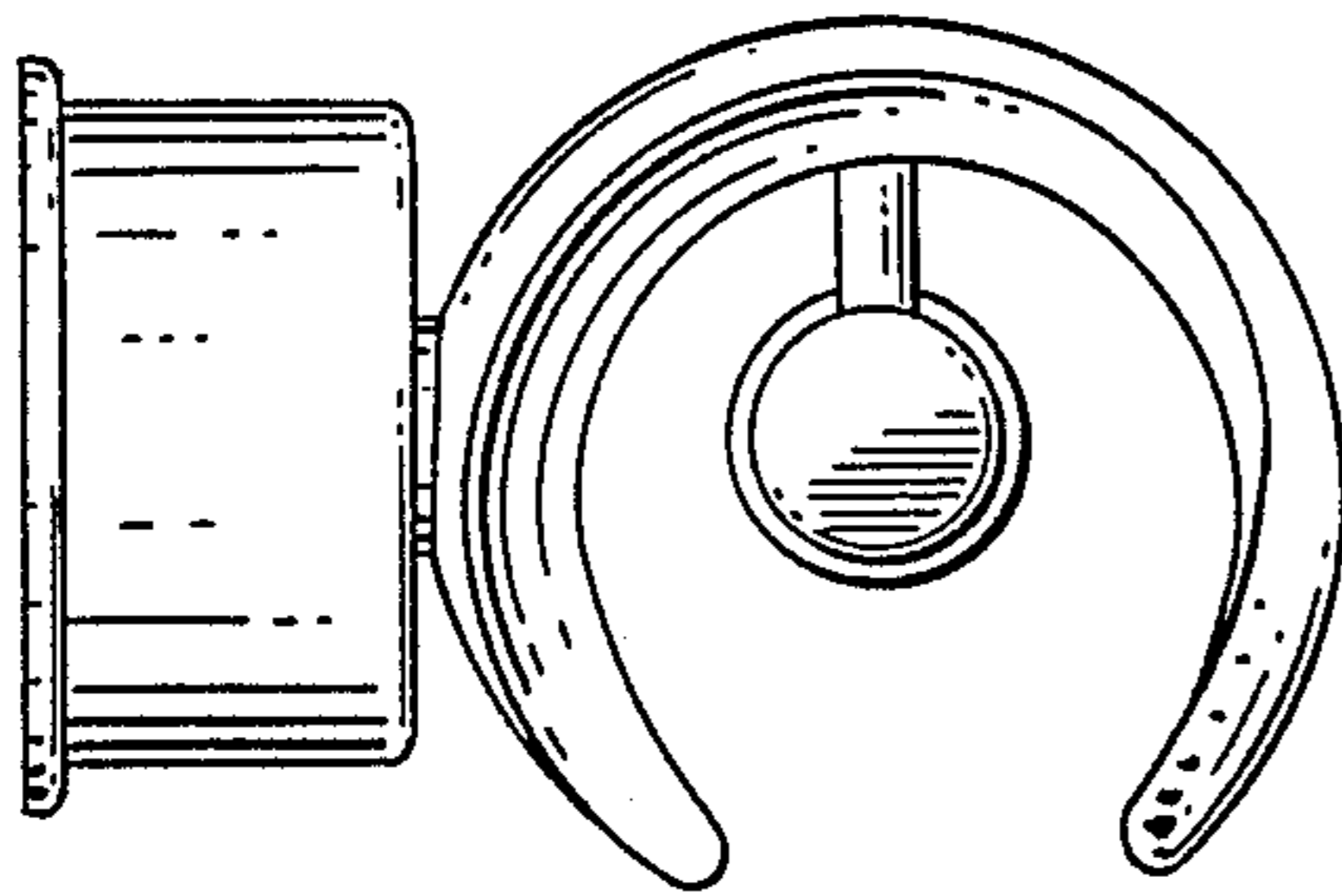
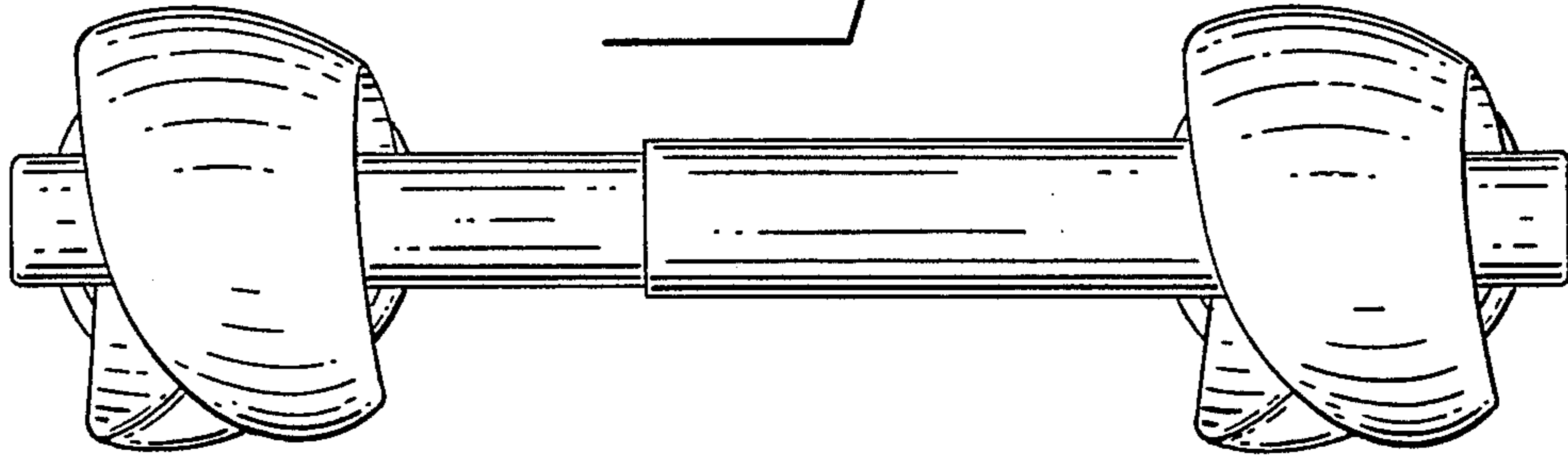


FIG. 2.

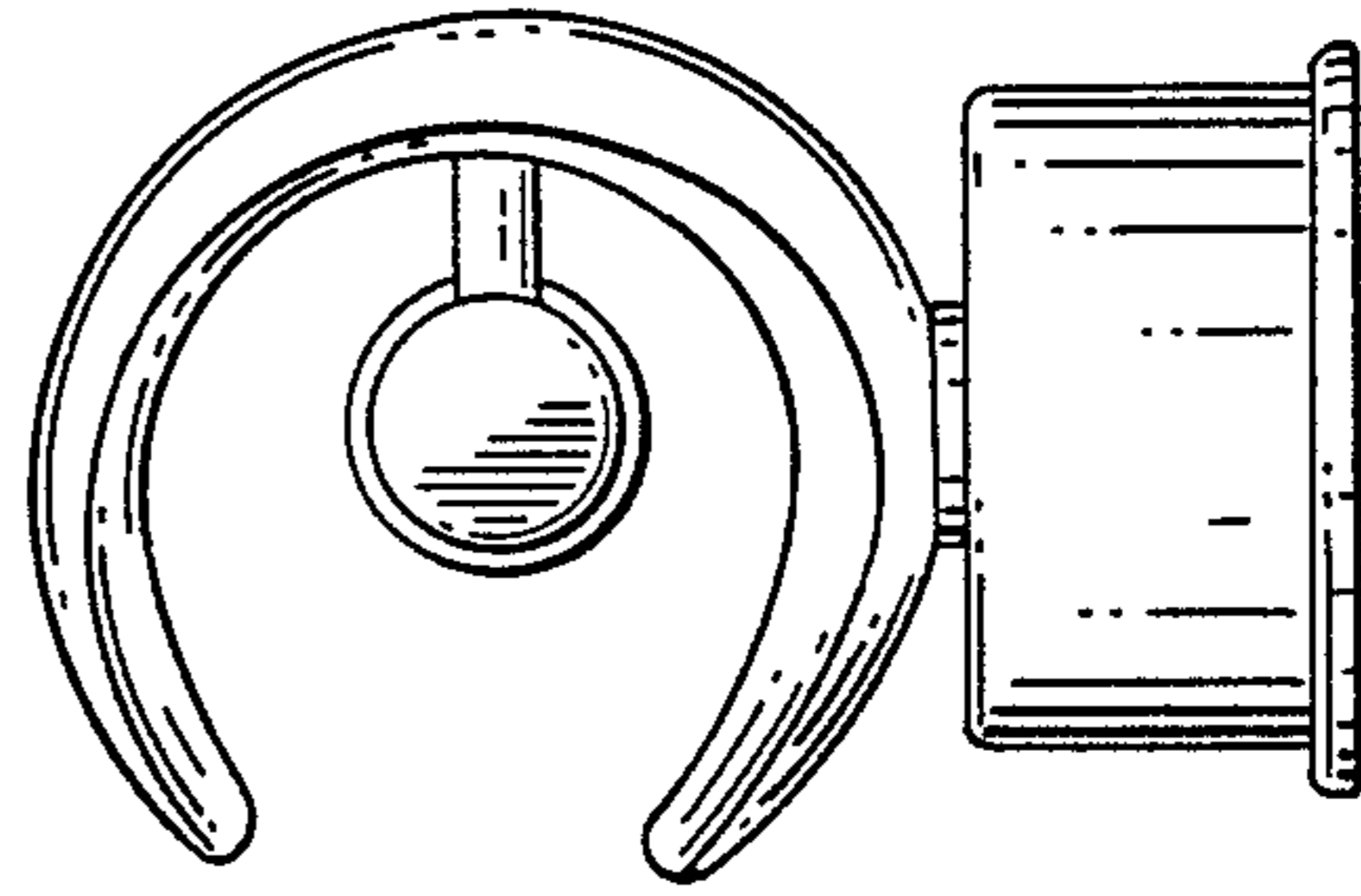


FIG. 3.

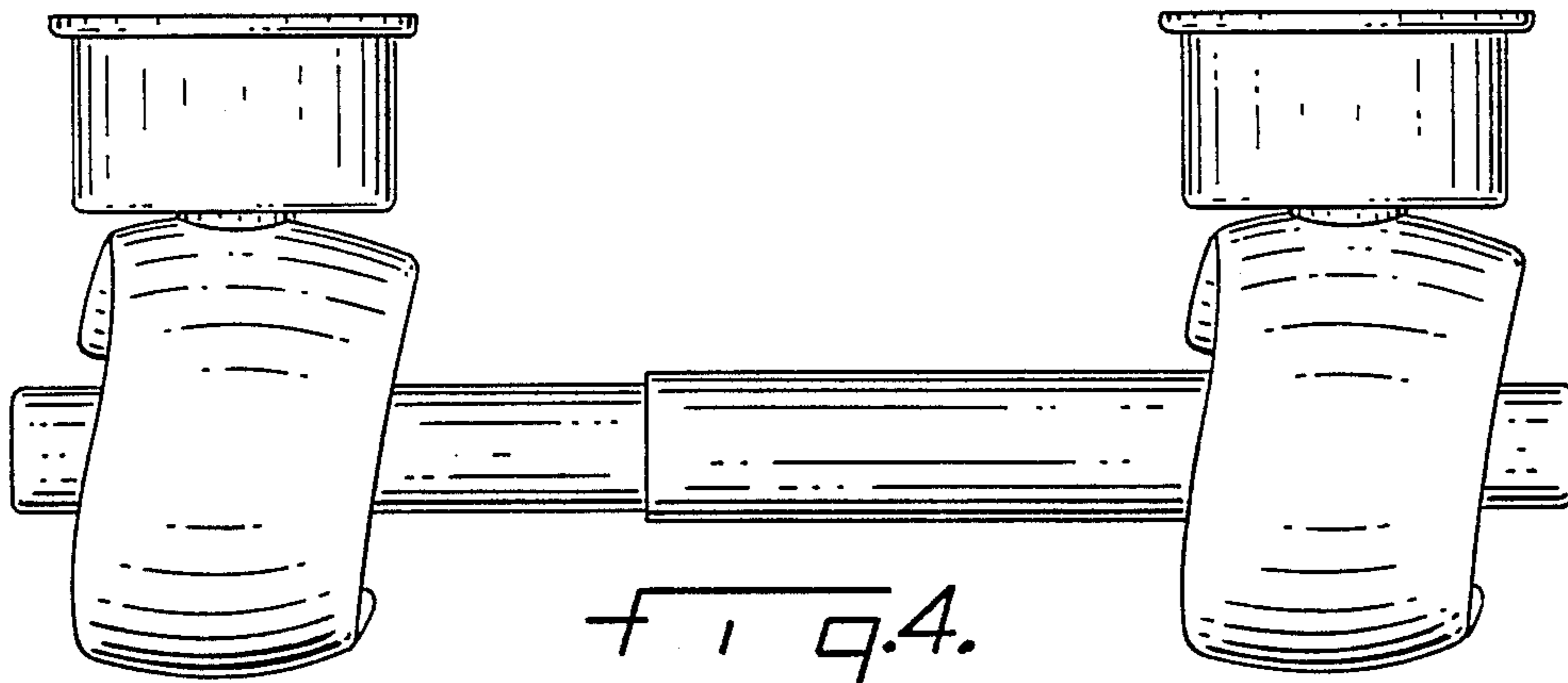


FIG. 4.

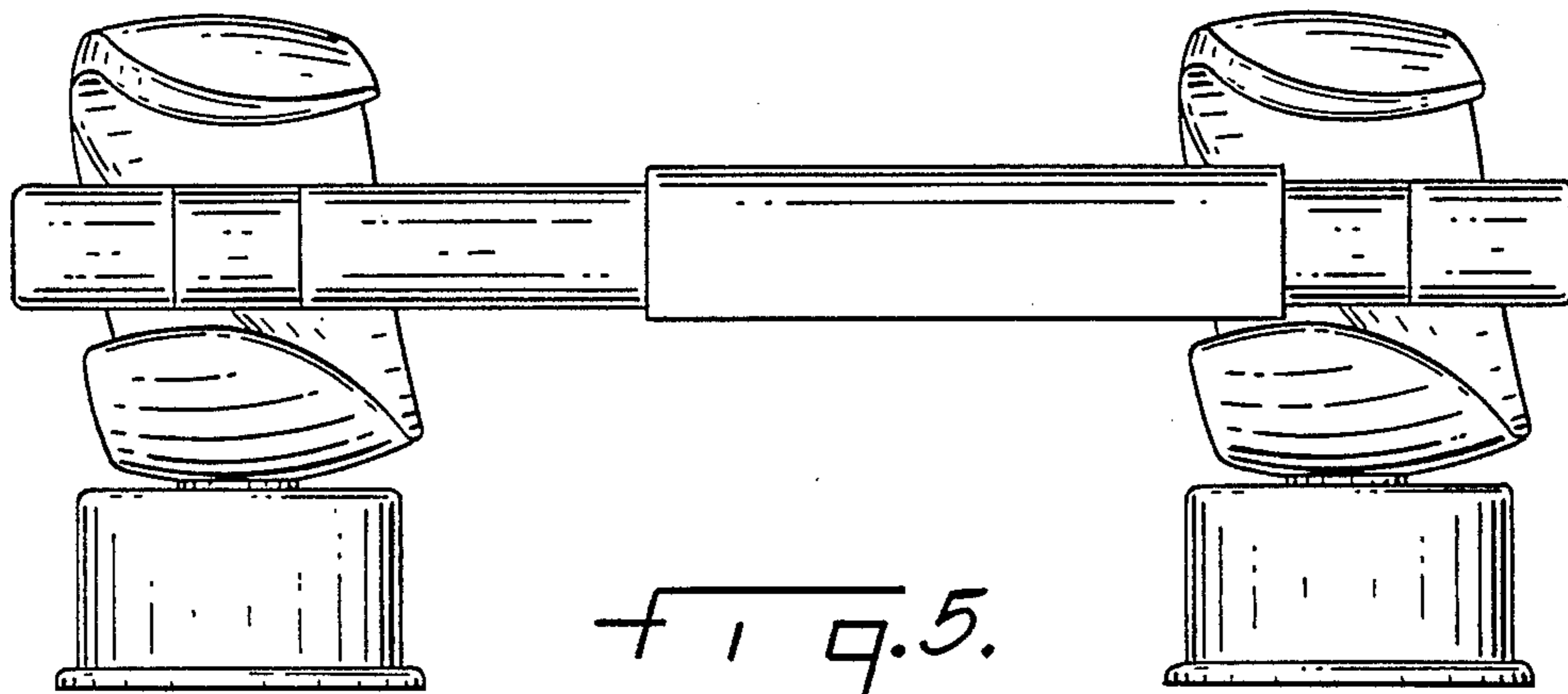


FIG. 5.