

[54] TRAY FOR HOLDING A PAINT CAN AND PAINT TOOLS

[75] Inventor: Natal Pepitone, 97-23 84th St., Queens, N.Y. 11416

[73] Assignee: Natal Pepitone, Queens, N.Y.

[**] Term: 14 Years

[21] Appl. No.: 926,346

[22] Filed: Nov. 3, 1966

[52] U.S. Cl. D6/512; D32/54

[58] Field of Search D32/53, 53.1, 54; D25/68; 15/104.92, 248 R, 257 R, 257.05, 257.06; 182/120-121, 129; 248/210-211, 151; D34/40; D6/512-513

[56] References Cited

U.S. PATENT DOCUMENTS

- 2,982,982 5/1961 Swift, Jr. 15/257.06
- 3,285,557 11/1966 Reda 248/210
- 3,584,702 6/1971 Lang 182/129

- 3,642,240 2/1972 Hershey 248/210
- 3,757,380 9/1973 Jackson 15/257.05
- 3,822,847 7/1974 Emmons 248/210

Primary Examiner—Wallace R. Burke
Assistant Examiner—Lavone D. Tabor
Attorney, Agent, or Firm—Natal Pepitone

[57] CLAIM

The ornamental design for a tray for holding a paint can and paint tools, as shown and described.

DESCRIPTION

FIG. 1 is a perspective view of a tray for holding a paint can and paint tools showing my new design; FIG. 2 is a top plan view thereof; FIG. 3 is a front elevational view thereof; FIG. 4 is an elevational view of the side opposite that shown in FIG. 1; FIG. 5 is a rear elevational view thereof; and FIG. 6 is a bottom plan view thereof.

The broken lines showing of a paint can and paint tools in FIG. 1 are for illustrative purposes only and form no part the claimed design.

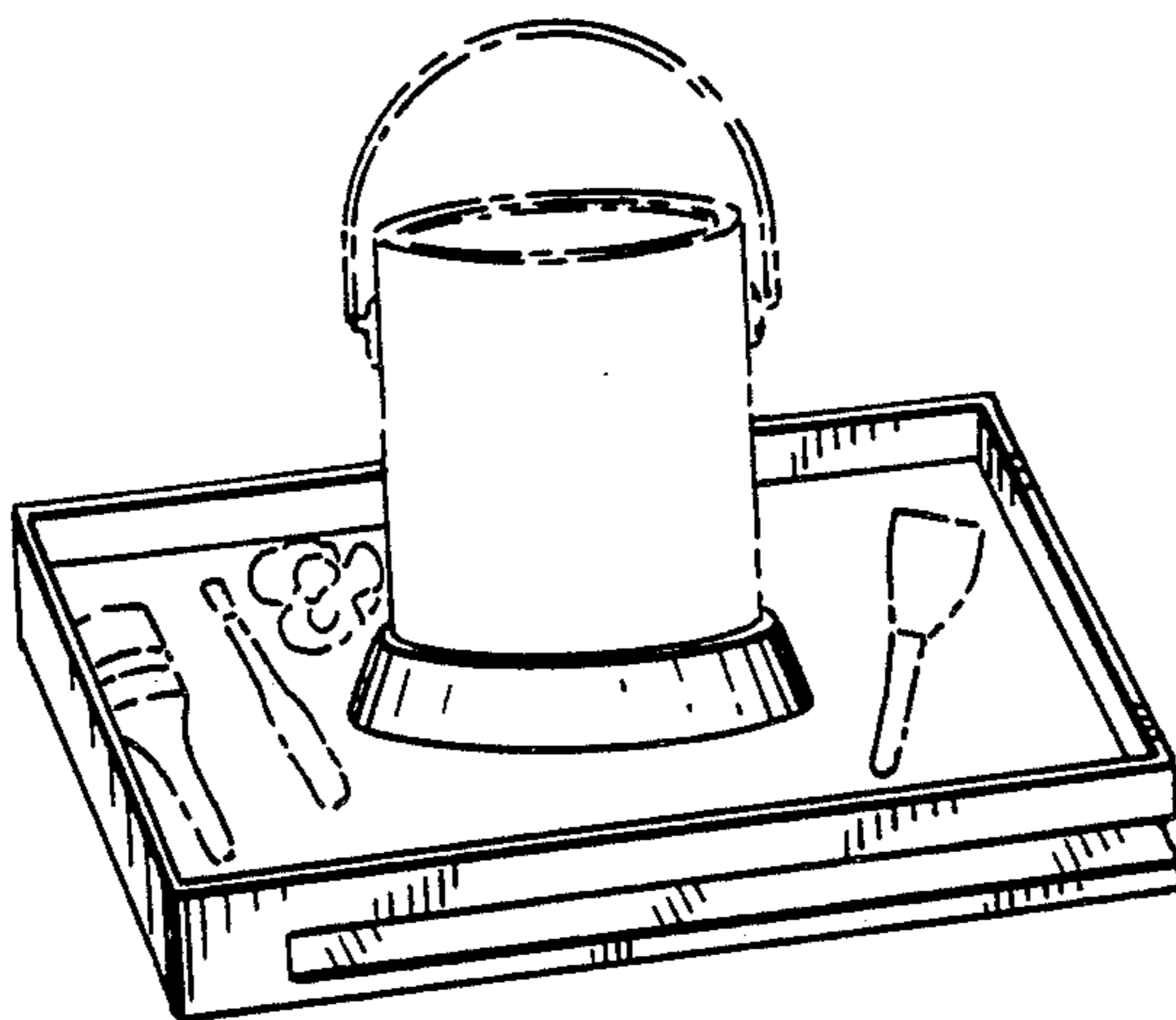


FIG. 1

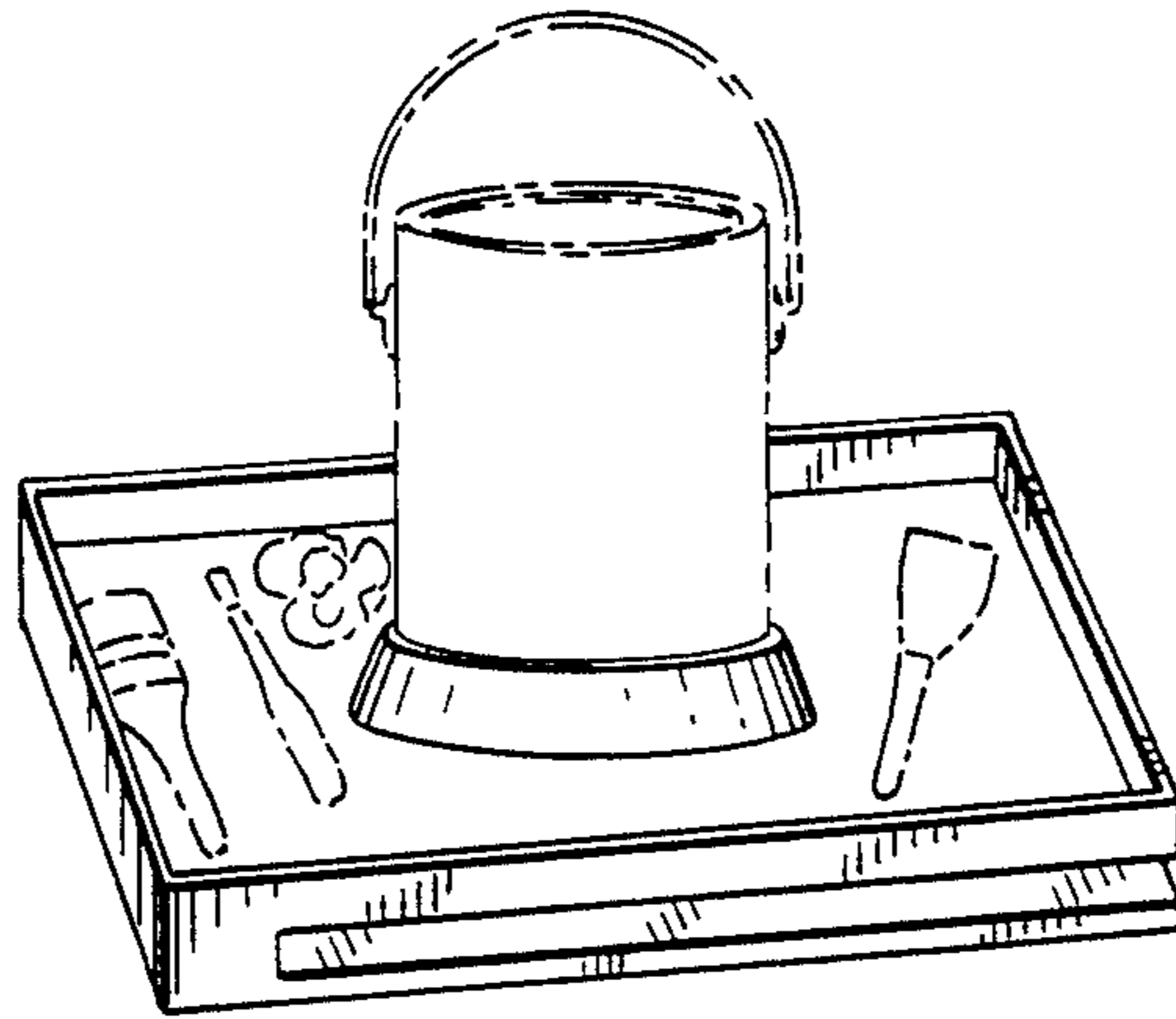


FIG. 2

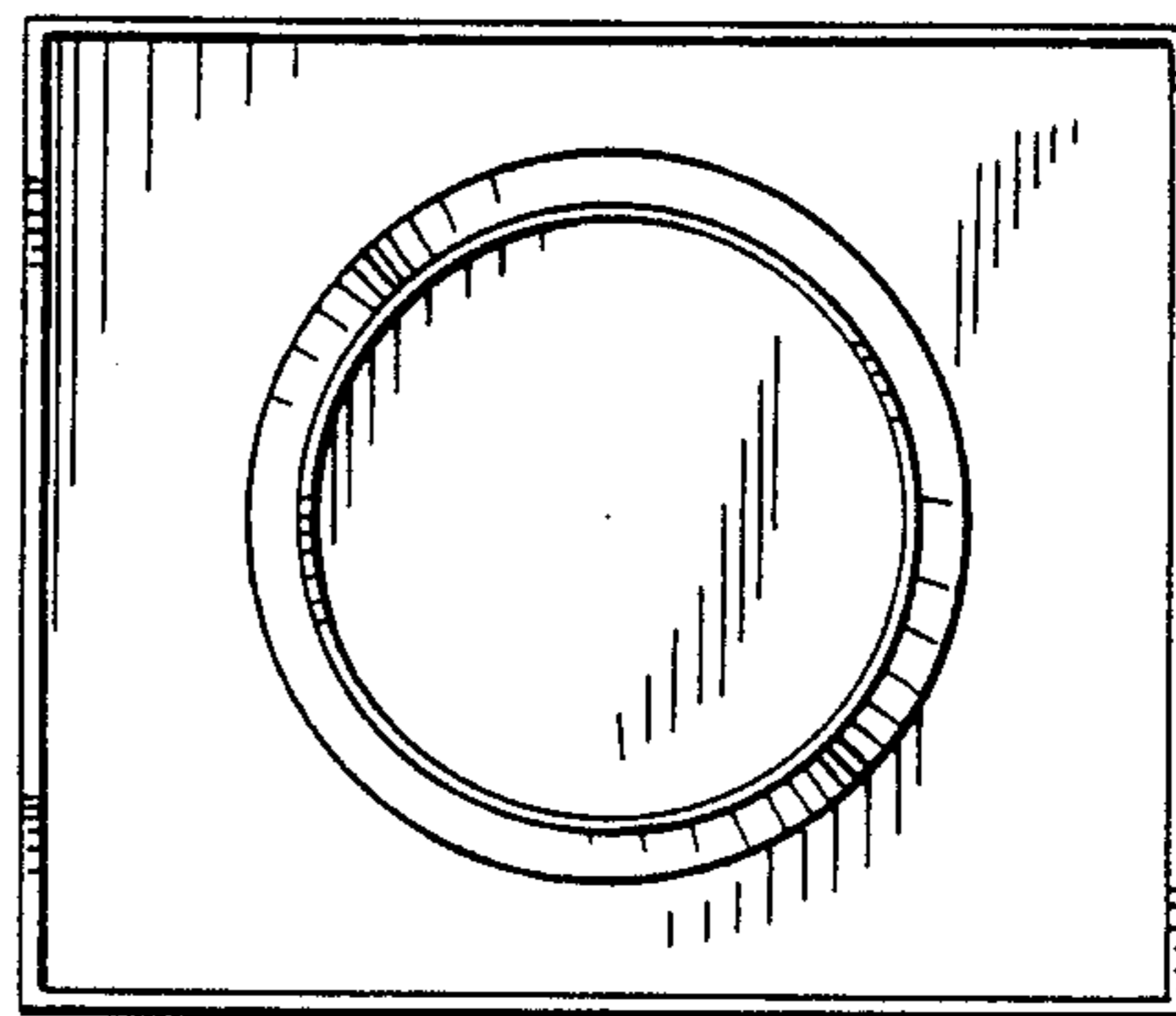


FIG. 3

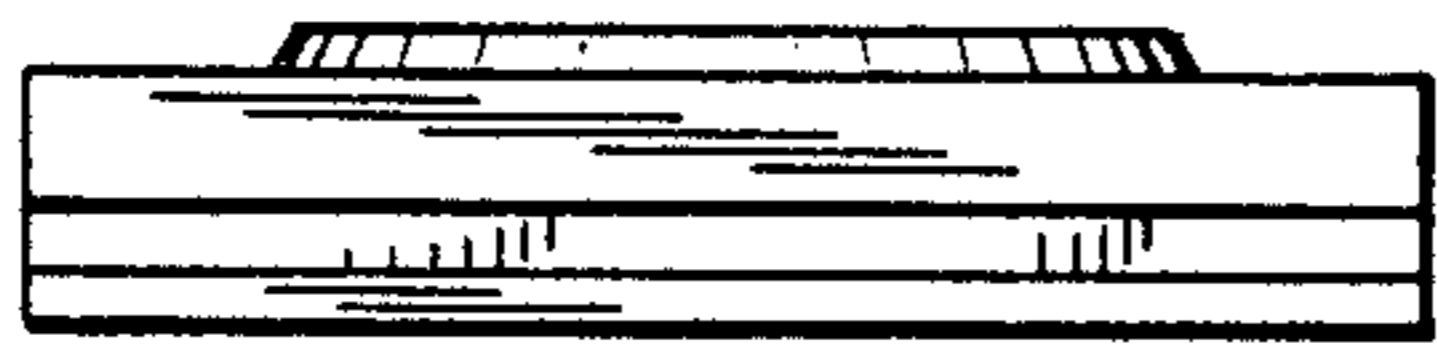


FIG. 4

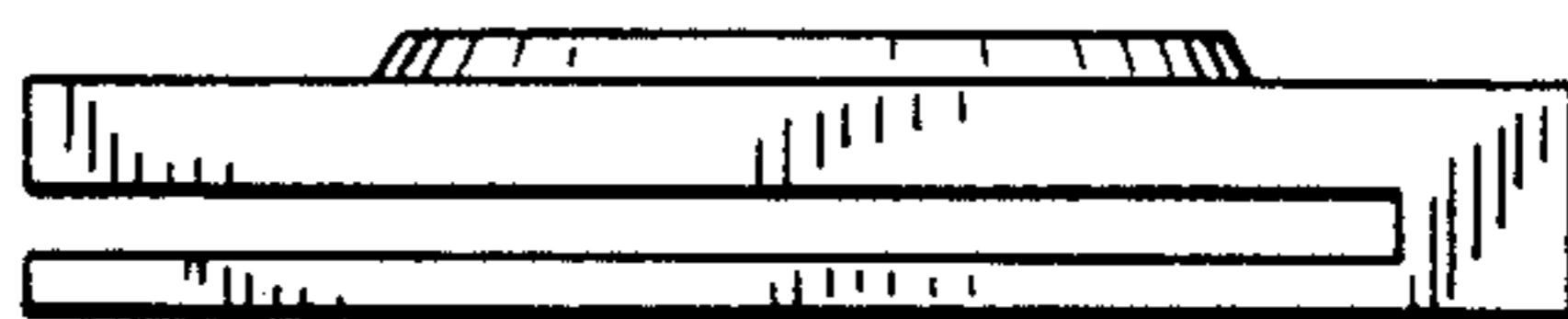


FIG. 5

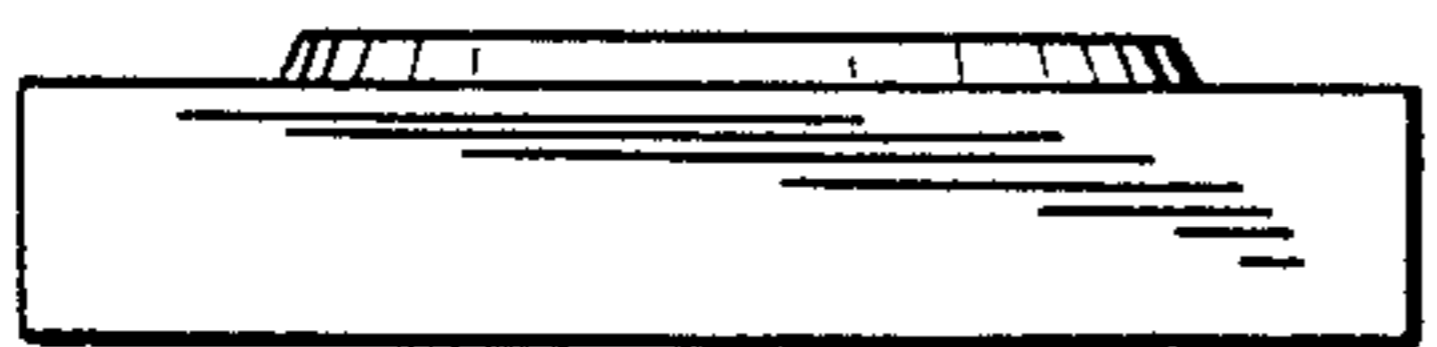


FIG. 6

