

[54] **BODY SUPPORT PAD**

[75] **Inventors:** Peter D. Haggerty; James M. Lea, both of Seattle; Peter O. Frickland, Issaquah; Eric L. Ray; John D. Burroughs, both of Seattle, all of Wash.

[73] **Assignee:** Cascade Designs, Inc., Seattle, Wash.

[**] **Term:** 14 Years

[21] **Appl. No.:** 905,021

[22] **Filed:** Sep. 5, 1986

[52] **U.S. Cl. D6/503**

[58] **Field of Search D6/503, 504; 5/246, 5/247, 417, 431, 448, 481**

[56] **References Cited**

U.S. PATENT DOCUMENTS

D. 174,811	5/1955	Haller	D6/596
D. 255,524	6/1980	Yarabinec	D6/596
D. 262,590	1/1982	Trotman et al.	D6/596
839,834	1/1907	Gray .	
1,232,158	7/1917	Youngs .	
1,490,296	4/1924	Swanson	5/417
1,534,214	4/1925	Holt .	
1,752,846	4/1930	Hollenbeck	5/417
2,194,364	3/1940	Minor .	
2,239,062	4/1941	Tallmadge	5/247
2,751,609	6/1956	Oesterling et al. .	
2,953,195	9/1960	Turck, Jr. .	
3,016,317	1/1962	Brunner .	
3,197,357	7/1965	Schulpen .	
3,584,108	6/1971	Nelson et al. .	
3,636,566	1/1972	Sutherland .	
3,814,030	6/1974	Morgan .	
3,846,856	11/1974	Tu .	

3,889,032	6/1975	Koelsch .
4,076,872	2/1978	Lewicki et al. .
4,110,881	9/1978	Thompson .
4,275,473	6/1981	Poirier .
4,329,747	5/1982	Russell .
4,370,767	2/1983	Fraser .
4,383,342	5/1983	Forster .
4,399,574	8/1983	Shuman .
4,450,193	5/1984	Staebler .
4,476,594	10/1984	McLeod .
4,574,101	3/1986	Tricca et al. .
4,686,724	8/1987	Bedford .

FOREIGN PATENT DOCUMENTS

241050	11/1964	Austria .
307755	3/1929	Belgium .
339045	7/1959	Fed. Rep. of Germany .
1185822	8/1959	France .
526407	5/1955	Italy .
434550	9/1935	United Kingdom .
804093	11/1958	United Kingdom .

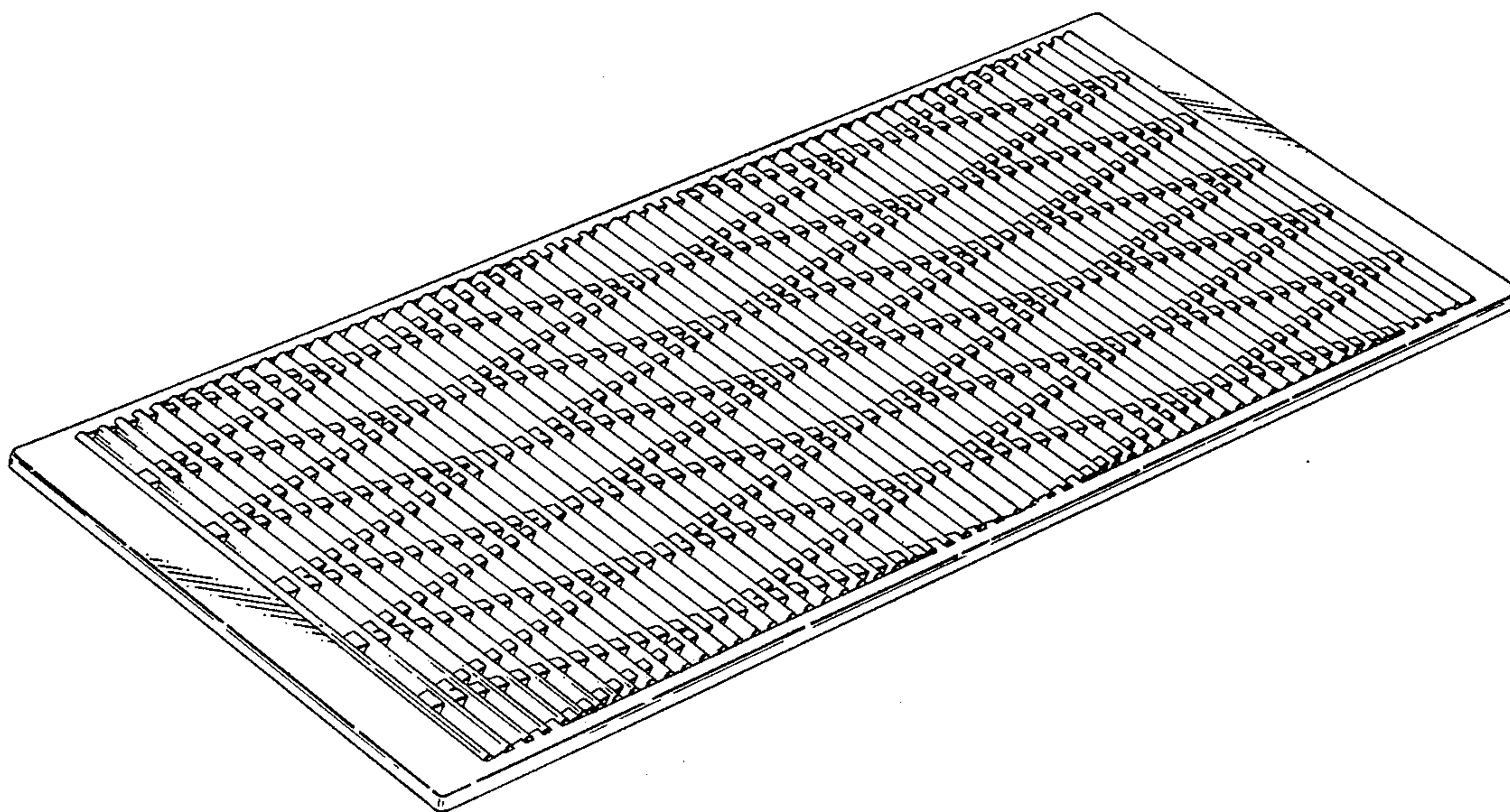
Primary Examiner—Bruce W. Dunkins
Assistant Examiner—Ann S. Hunt
Attorney, Agent, or Firm—Hughes & Multer

[57] **CLAIM**

The ornamental design for a body support pad, as shown and described herein.

DESCRIPTION

FIG. 1 is a perspective view of a body support pad showing our design;
 FIG. 2 is a top view thereof;
 FIG. 3 is a side elevation view thereof;
 FIG. 4 is an end elevation view thereof;
 FIG. 5 is a bottom view thereof; and
 FIG. 6 is an enlarged side sectional view taken along line 6—6 of FIG. 2.



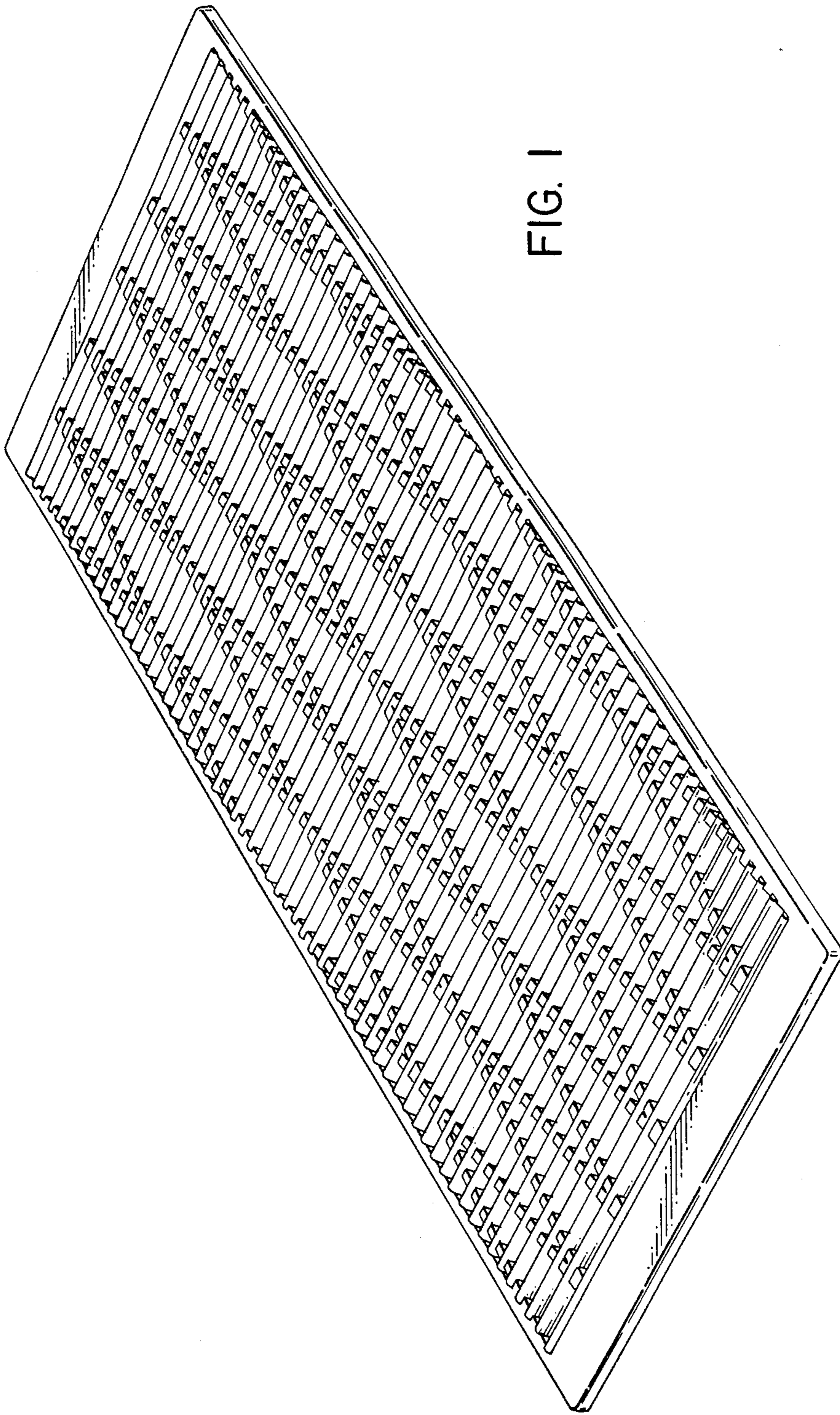


FIG. 1

FIG. 2

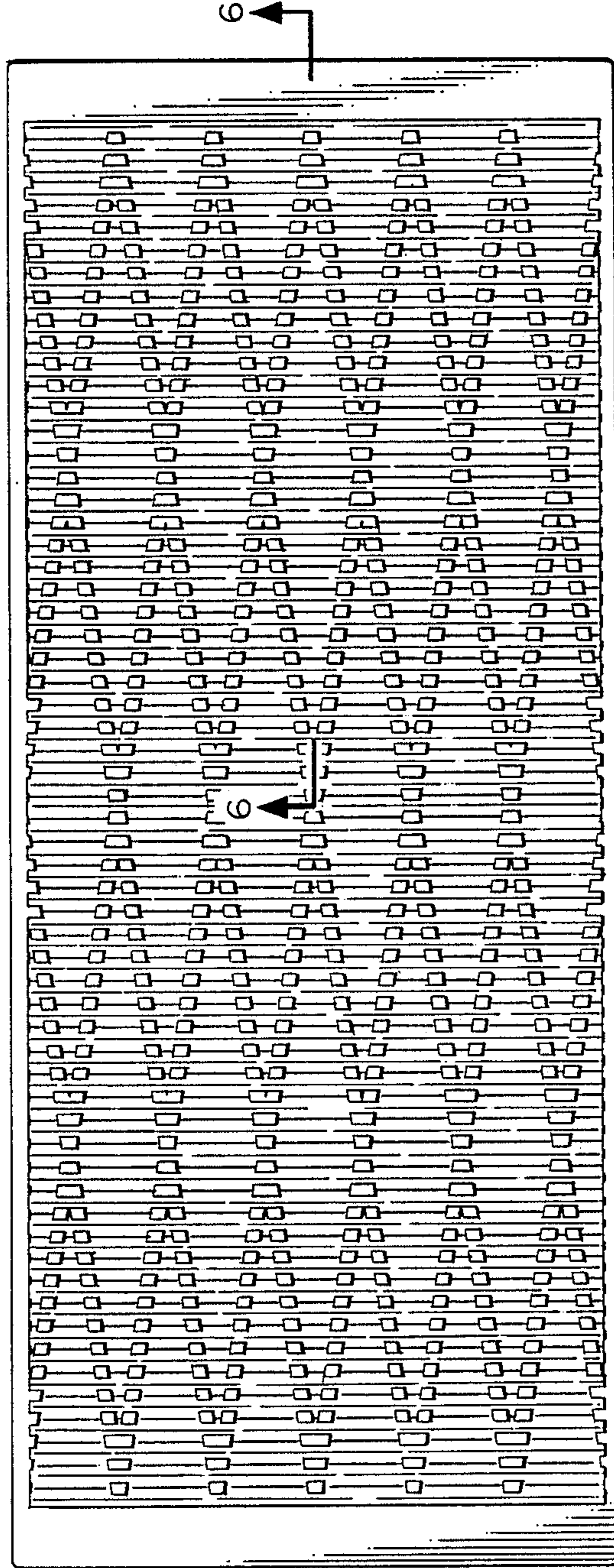


FIG. 3



FIG. 4



FIG. 5

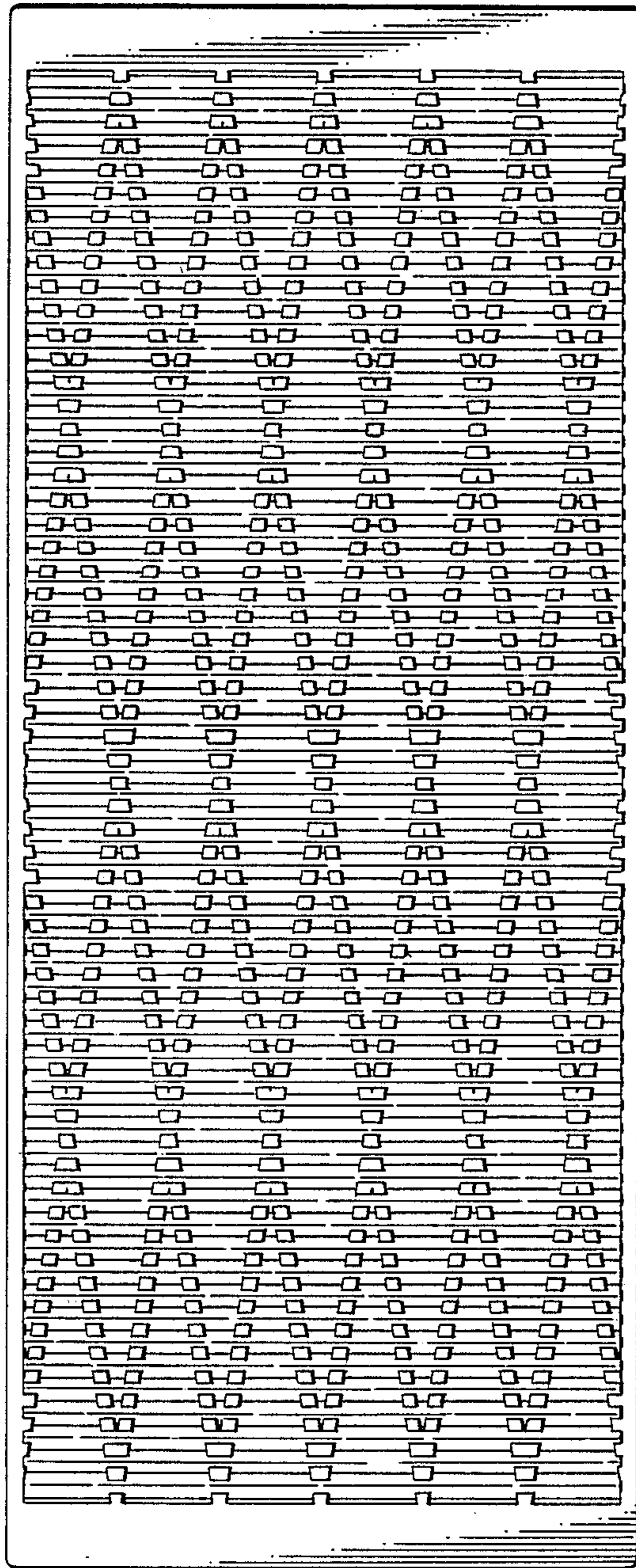


FIG. 6

