

United States Patent [19]

Nakao et al.

[11] Patent Number: **Des. 303,459**

[45] Date of Patent: **** Sep. 19, 1989**

[54] **BABY SEAT**

4,634,185 1/1987 Kassai 297/250

[75] Inventors: **Shinroku Nakao, Kanagawa;**
Yoshiyasu Ishii; Susumu Matsumoto,
both of Tokyo, all of Japan

Primary Examiner—Bruce W. Dunkins
Assistant Examiner—Ann S. Hunt
Attorney, Agent, or Firm—Sughrue, Mion, Zinn,
Macpeak & Seas

[73] Assignee: **Combi Co., Ltd., Tokyo, Japan**

[57] **CLAIM**

[**] Term: **14 Years**

The ornamental design for a baby seat, as shown and described.

[21] Appl. No.: **929,708**

[22] Filed: **Nov. 13, 1986**

DESCRIPTION

[52] U.S. Cl. **D6/333; D6/335**

[58] Field of Search **D6/333, 335; 297/250,**
297/254, 464

FIG. 1 is a front, top and right side perspective view of a baby seat showing our new design;
FIG. 2 is a front elevational view thereof;
FIG. 3 is a rear elevational view thereof;
FIG. 4 is a top plan view thereof;
FIG. 5 is a bottom plan view thereof;
FIG. 6 is a left side elevational view thereof; and
FIG. 7 is a right side elevational view thereof.

[56] **References Cited**

U.S. PATENT DOCUMENTS

2,470,834 5/1949 Peltier 297/149
4,500,133 2/1985 Nakao et al. 297/250

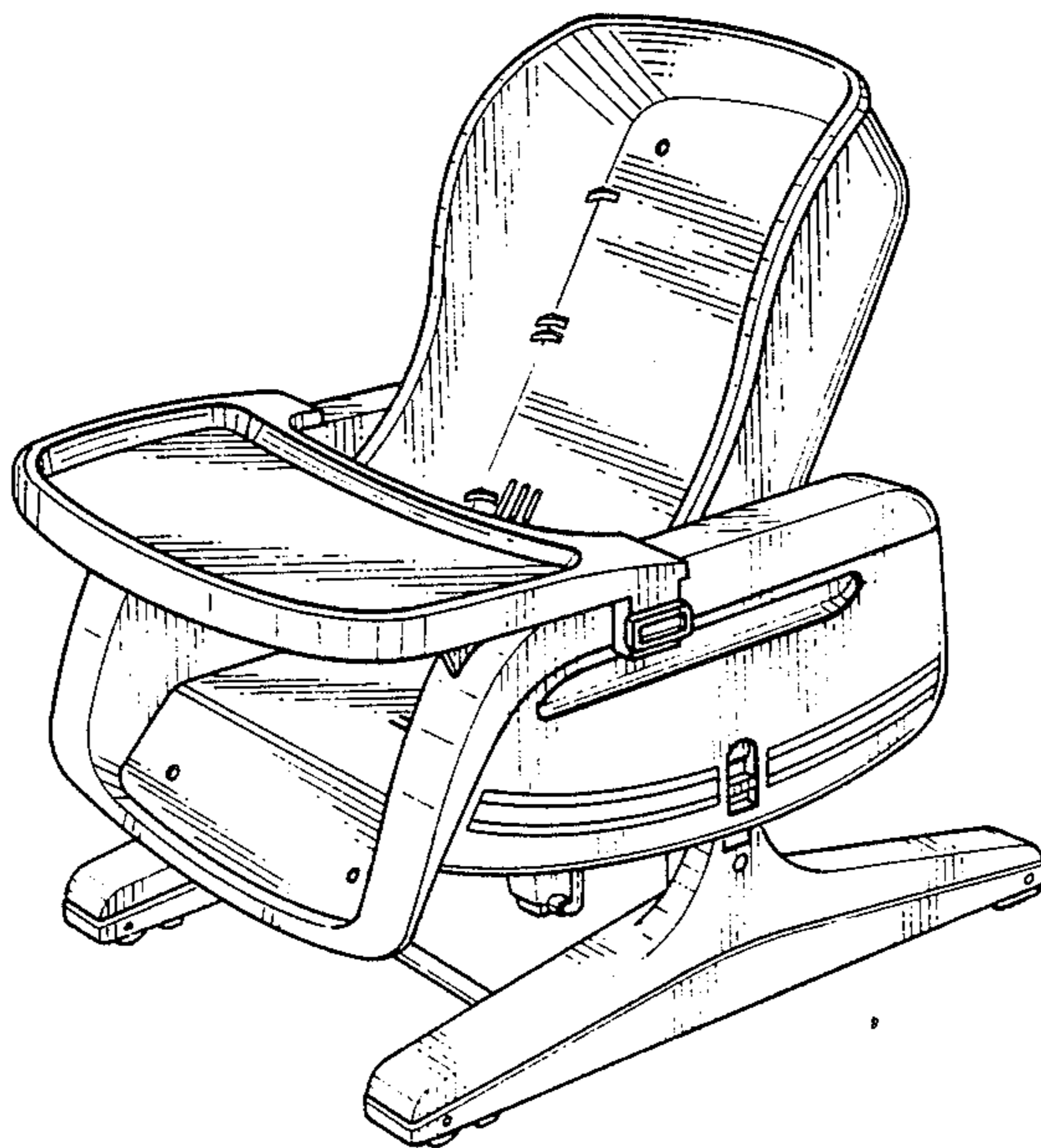


Fig. 1

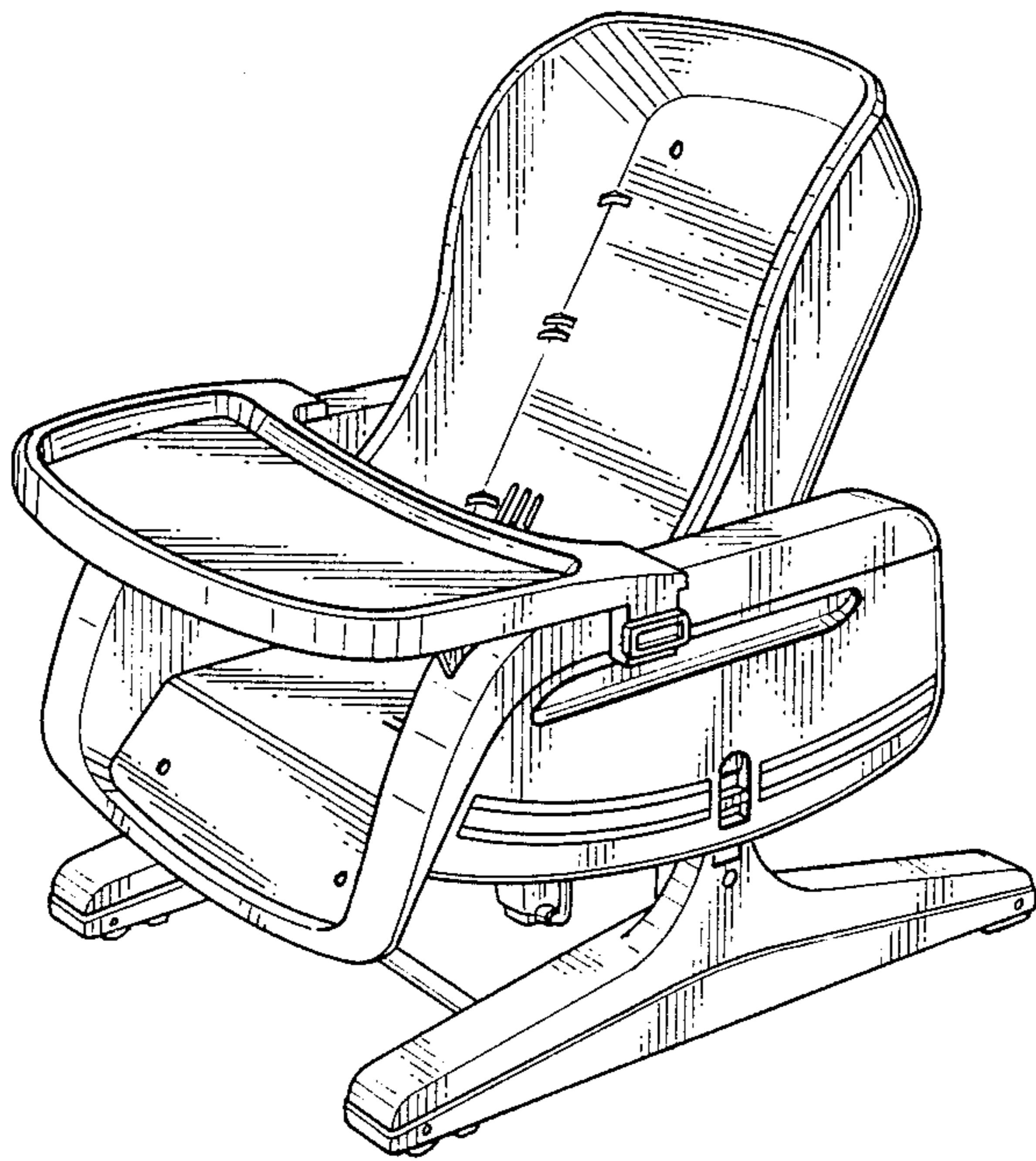


Fig. 2

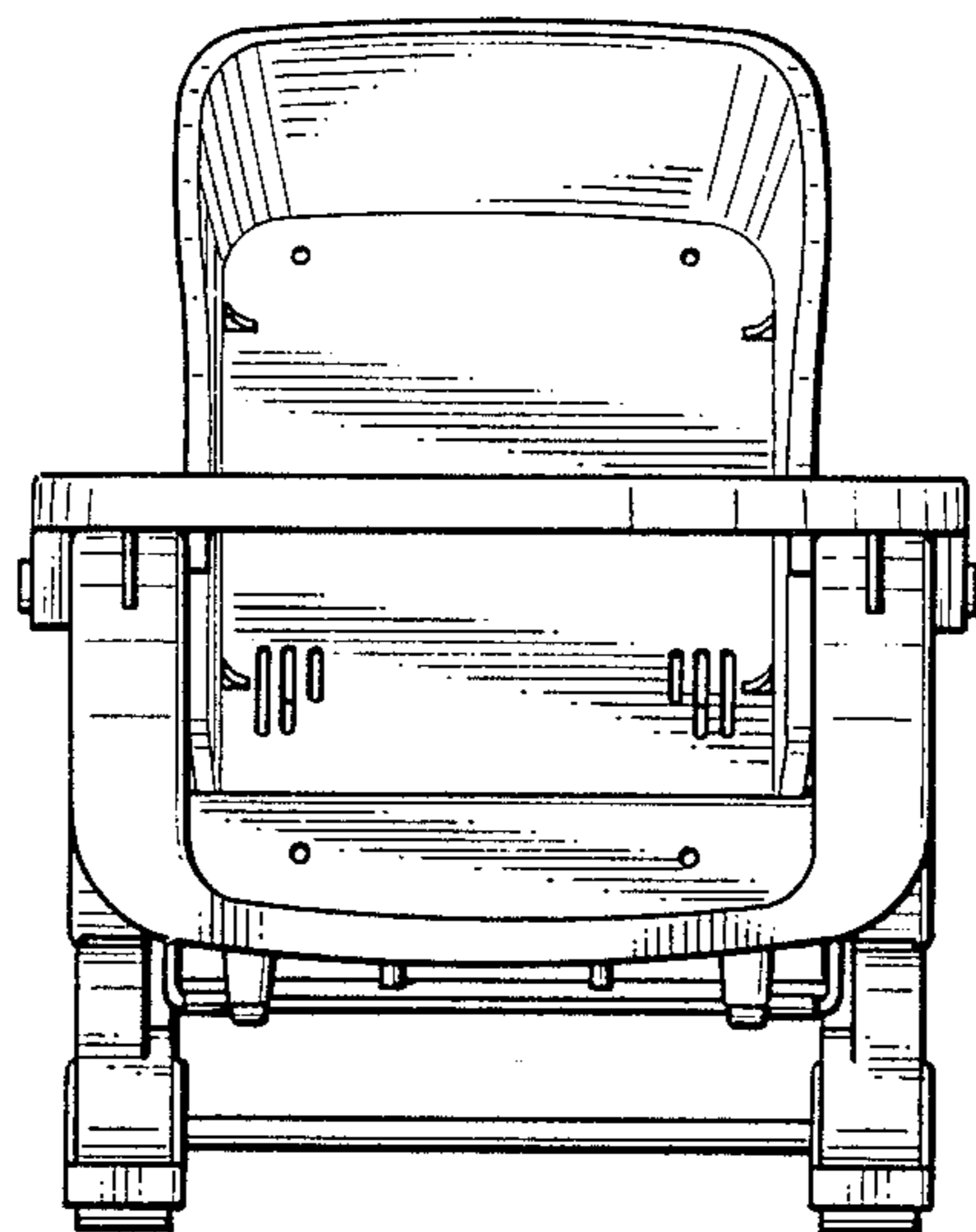


Fig. 3

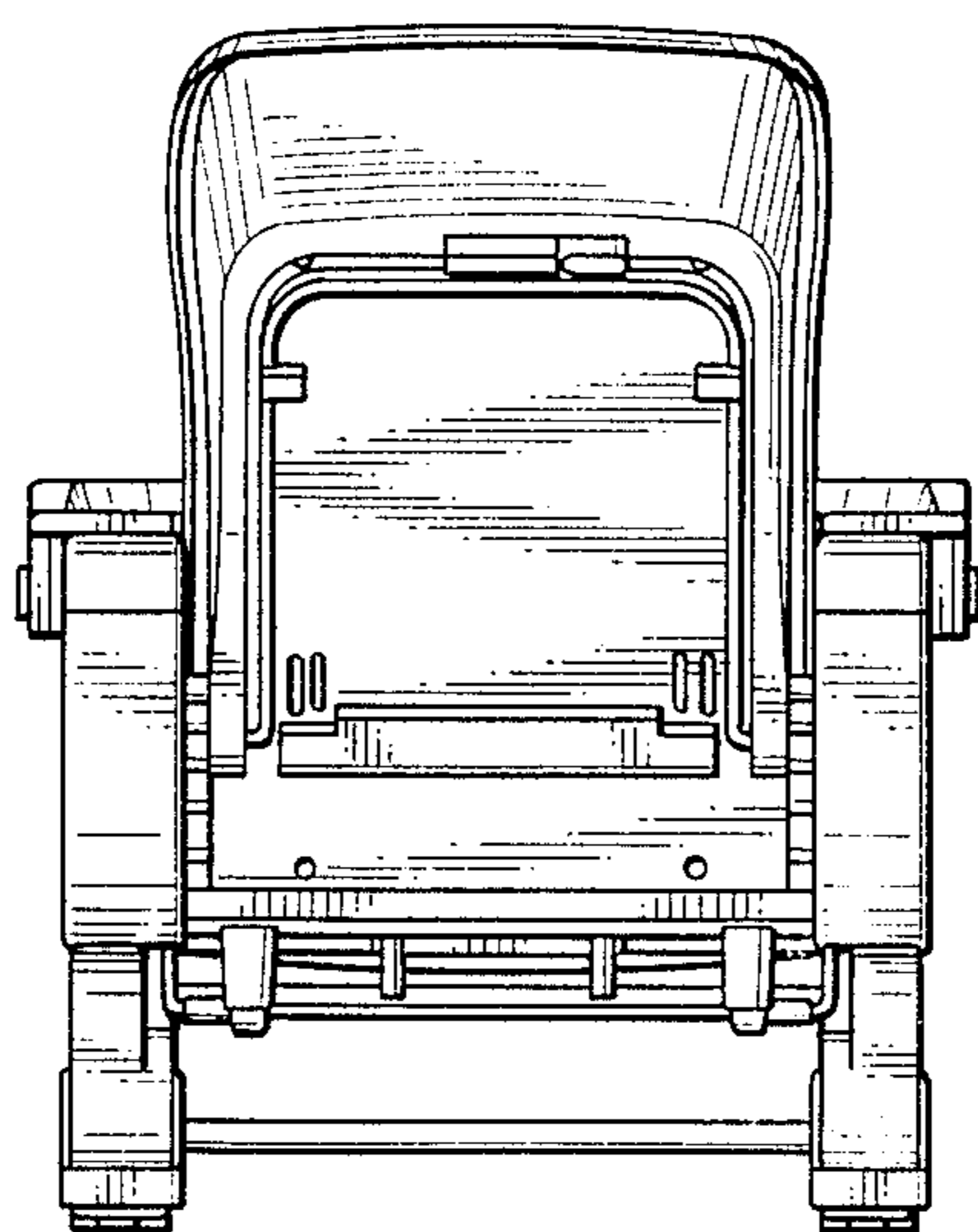


Fig. 4

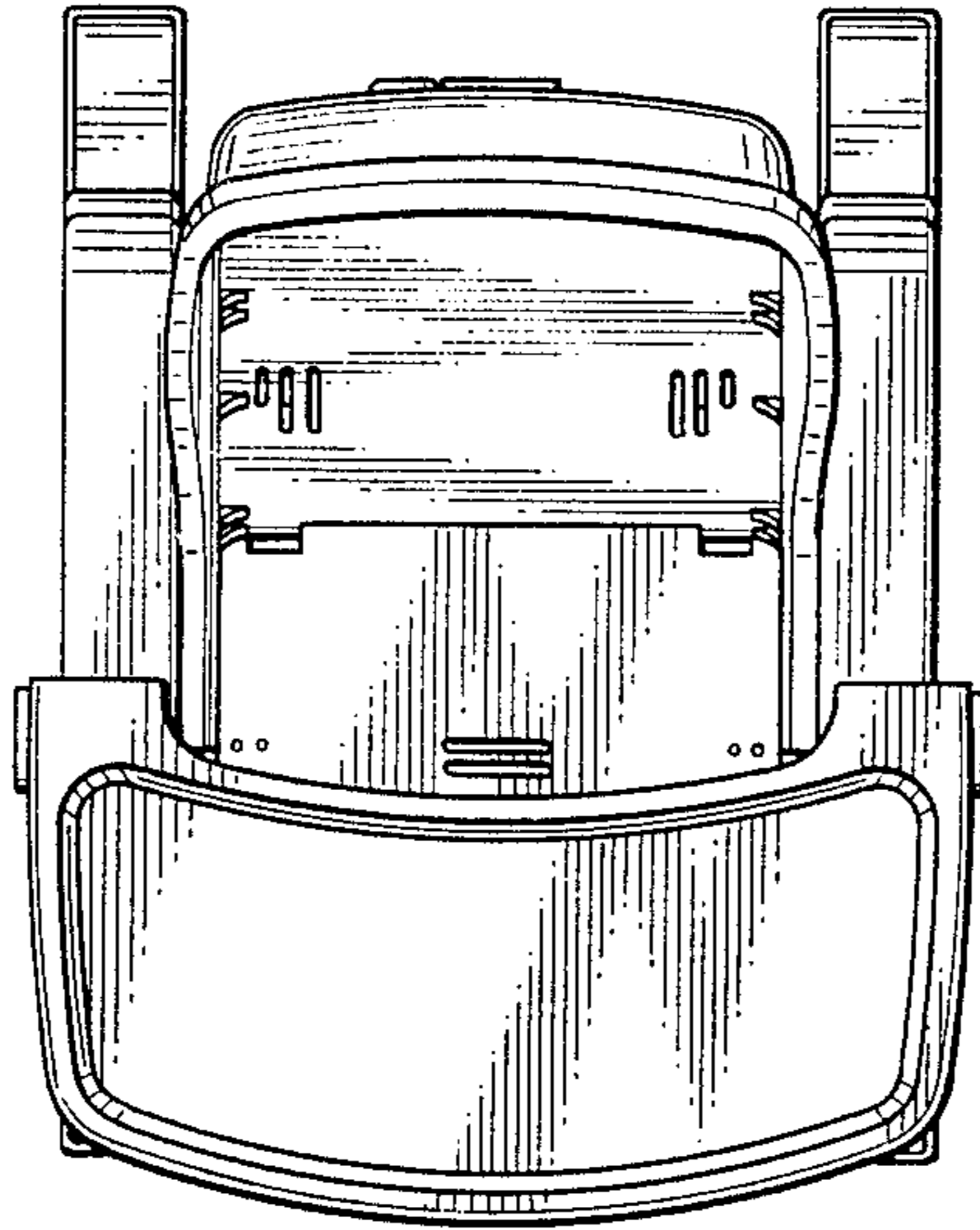


Fig. 5

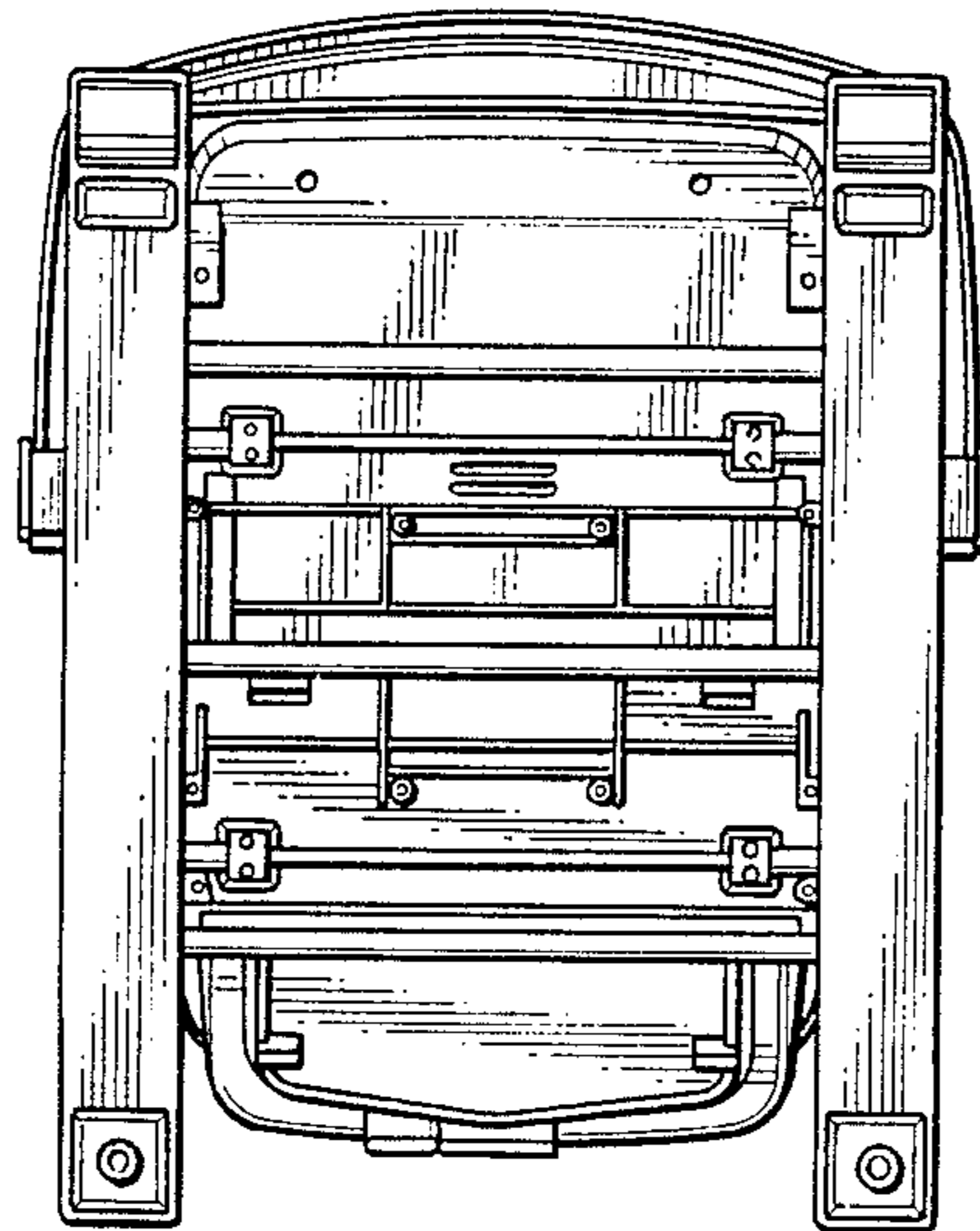


Fig. 6

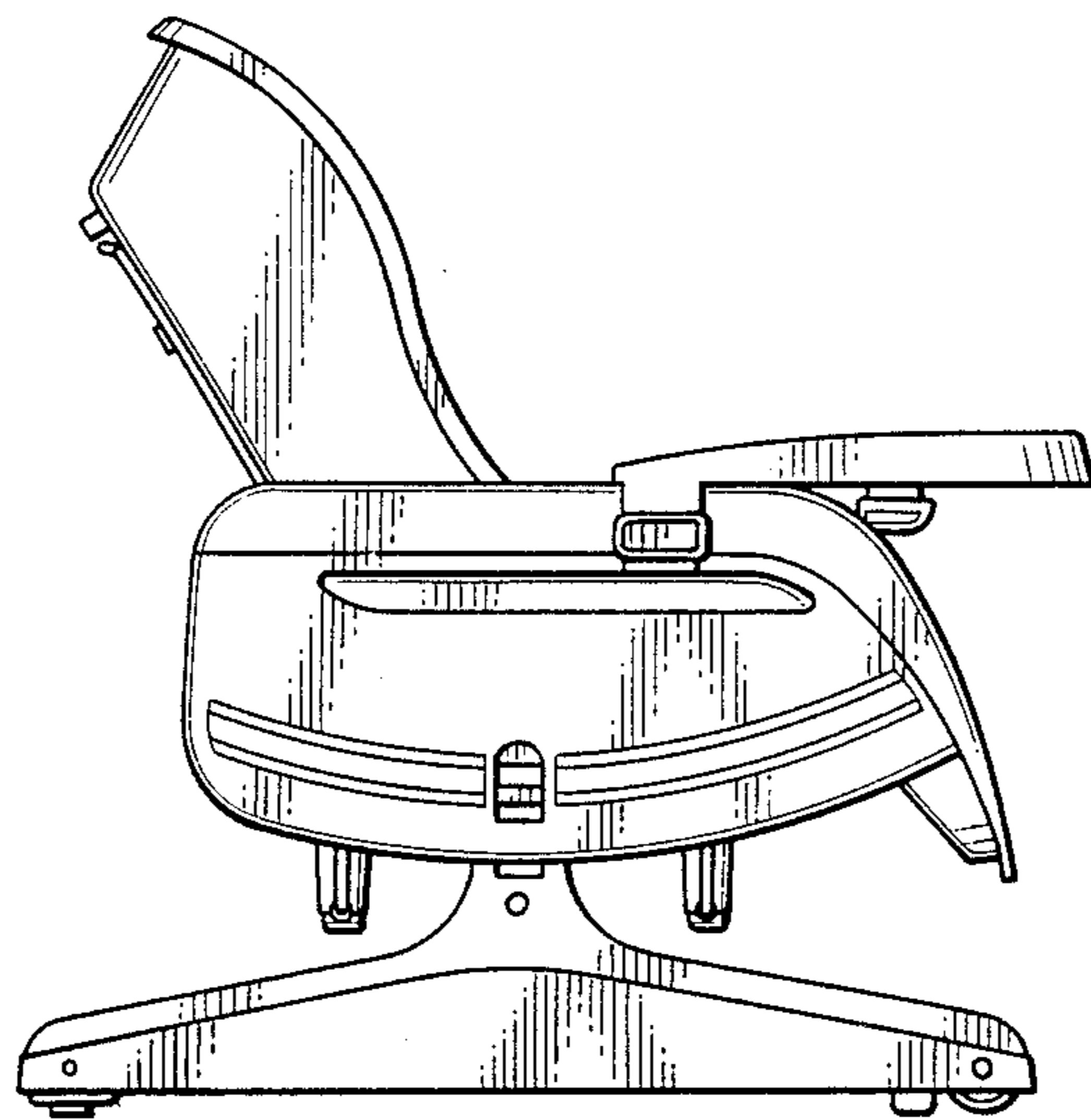


Fig. 7

