

# United States Patent [19]

Morales et al.

[11] Patent Number: **Des. 303,454**

[45] Date of Patent: **\*\* Sep. 19, 1989**

[54] **FOOD TRAY FOR USE IN VEHICLES**

[76] Inventors: **Benny B. Morales**, 2550 Cucamonga, Ontario, Calif. 91761; **Charles A. Macias**, 19552 Gault St., Reseda, Calif. 91335

[\*\*] Term: **14 Years**

[21] Appl. No.: **869,953**

[22] Filed: **Jun. 2, 1986**

[52] U.S. Cl. .... **D3/40**

[58] Field of Search ..... 220/427, DIG. 13, DIG. 14; D3/39, 40

[56] **References Cited**

**U.S. PATENT DOCUMENTS**

D. 154,468	7/1949	Foulke	.....	D7/71
D. 162,959	4/1951	Janes et al.	.....	D7/70
D. 247,327	2/1978	Tracy	.....	D3/40
D. 265,351	7/1982	Wooters	.....	D3/40

D. 279,836	7/1985	Tanaka	.....	D3/40
D. 279,837	7/1985	Tanaka	.....	D3/40
D. 287,789	1/1987	Johnson	.....	D3/40
D. 288,054	2/1987	Sculte et al.	.....	D3/40 X
3,233,563	2/1966	Mauchline	.....	D7/71 X

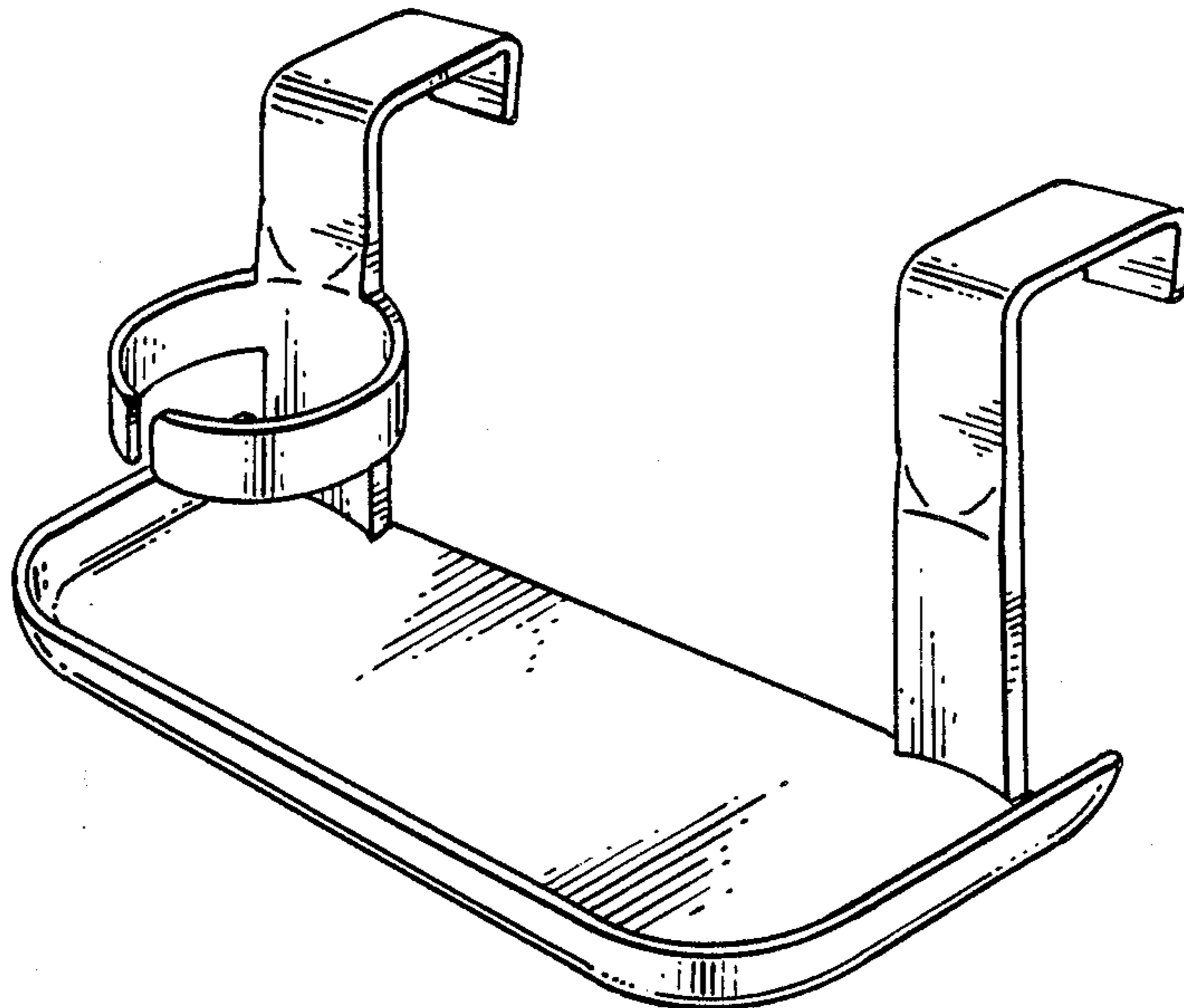
*Primary Examiner*—Bruce W. Dunkins  
*Assistant Examiner*—Y. Brunot  
*Attorney, Agent, or Firm*—Edgar W. Averill, Jr.

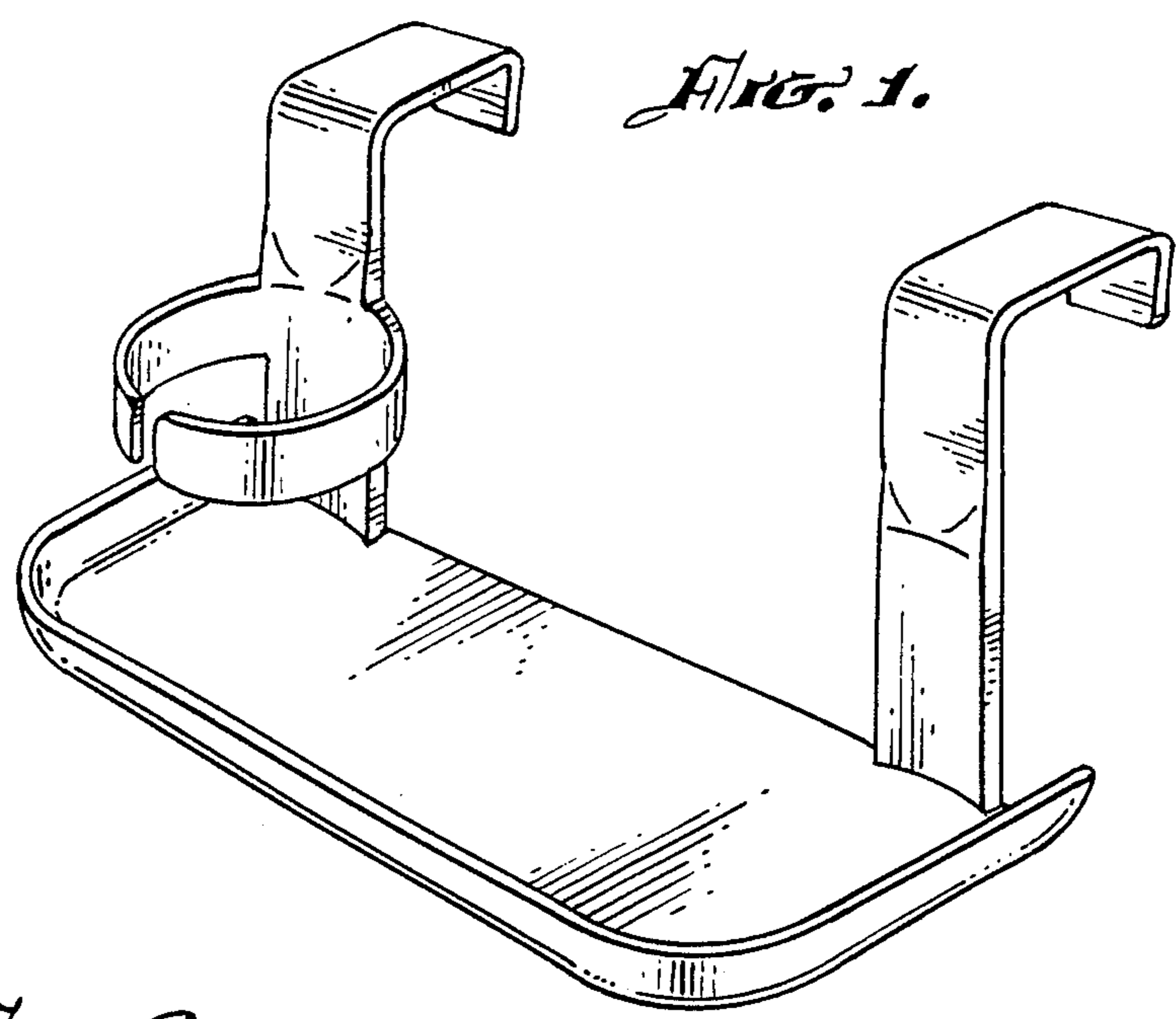
[57] **CLAIM**

The ornamental design for a food tray for use in vehicles, as shown and described.

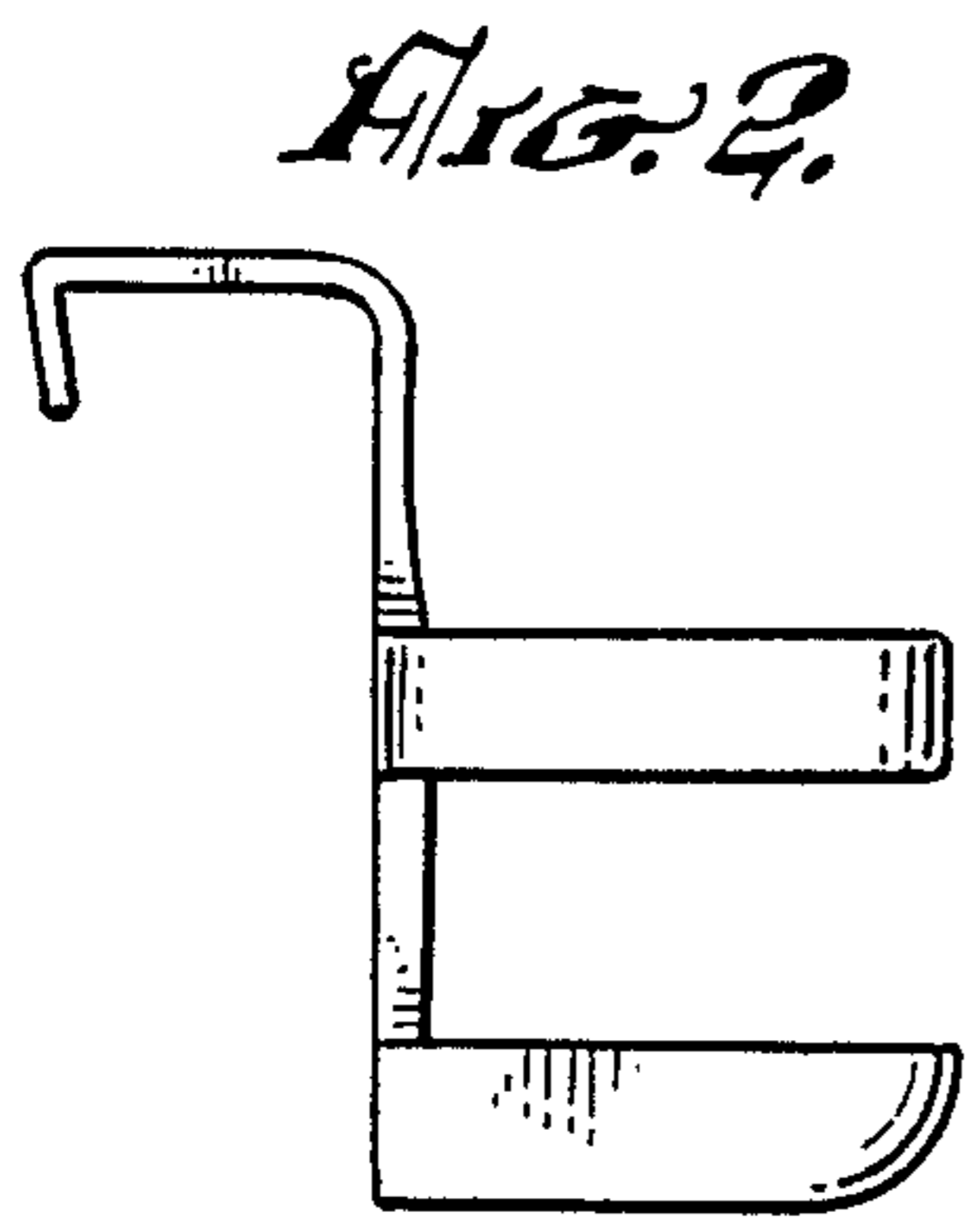
**DESCRIPTION**

FIG. 1 is a front perspective view of a food tray for use in vehicles showing our new design; FIG. 2 is a left side elevational view; FIG. 3 is a rear elevational view; FIG. 4 is a bottom plan view; and FIG. 5 is a front perspective view of a second embodiment showing our design.

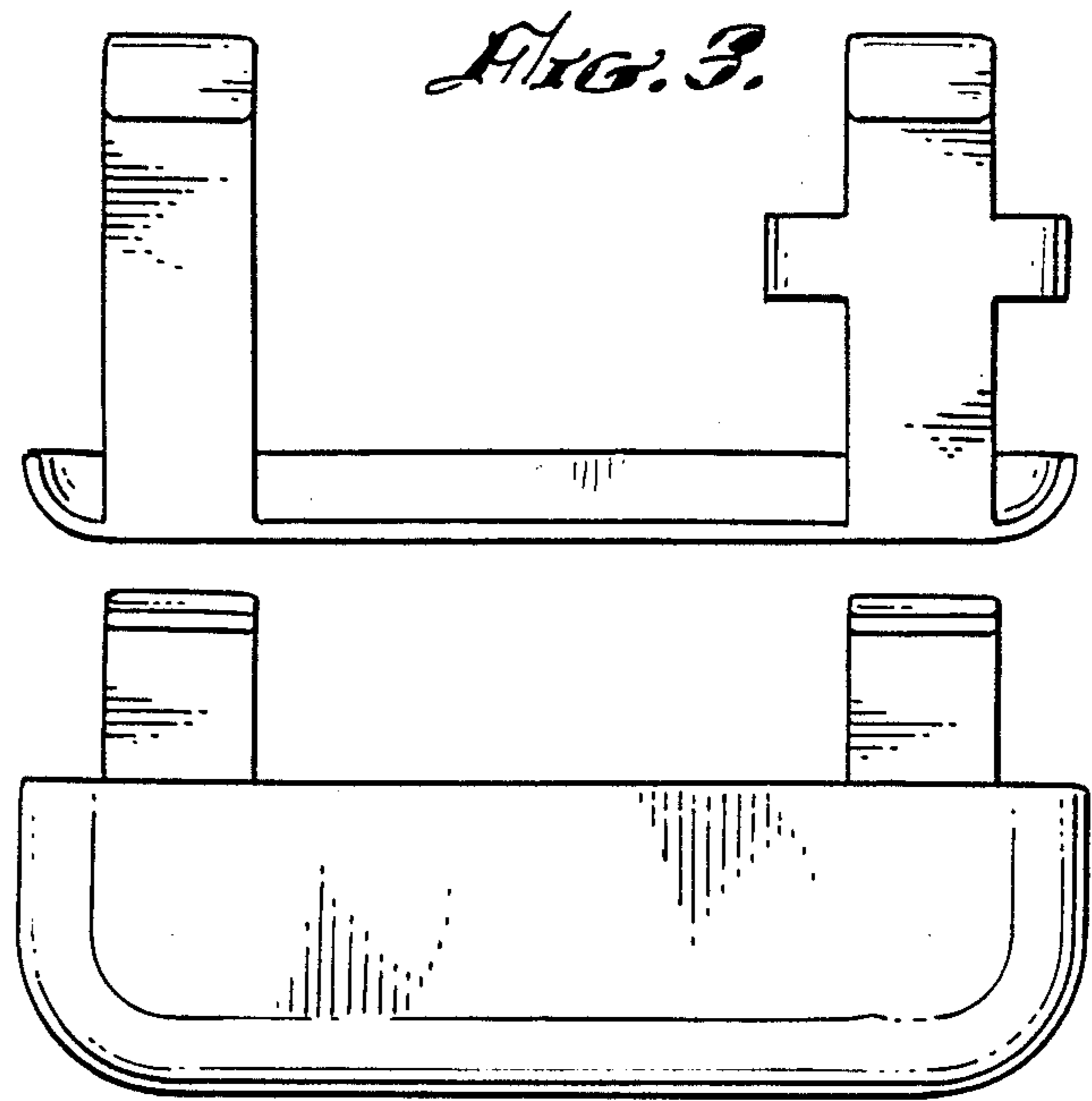




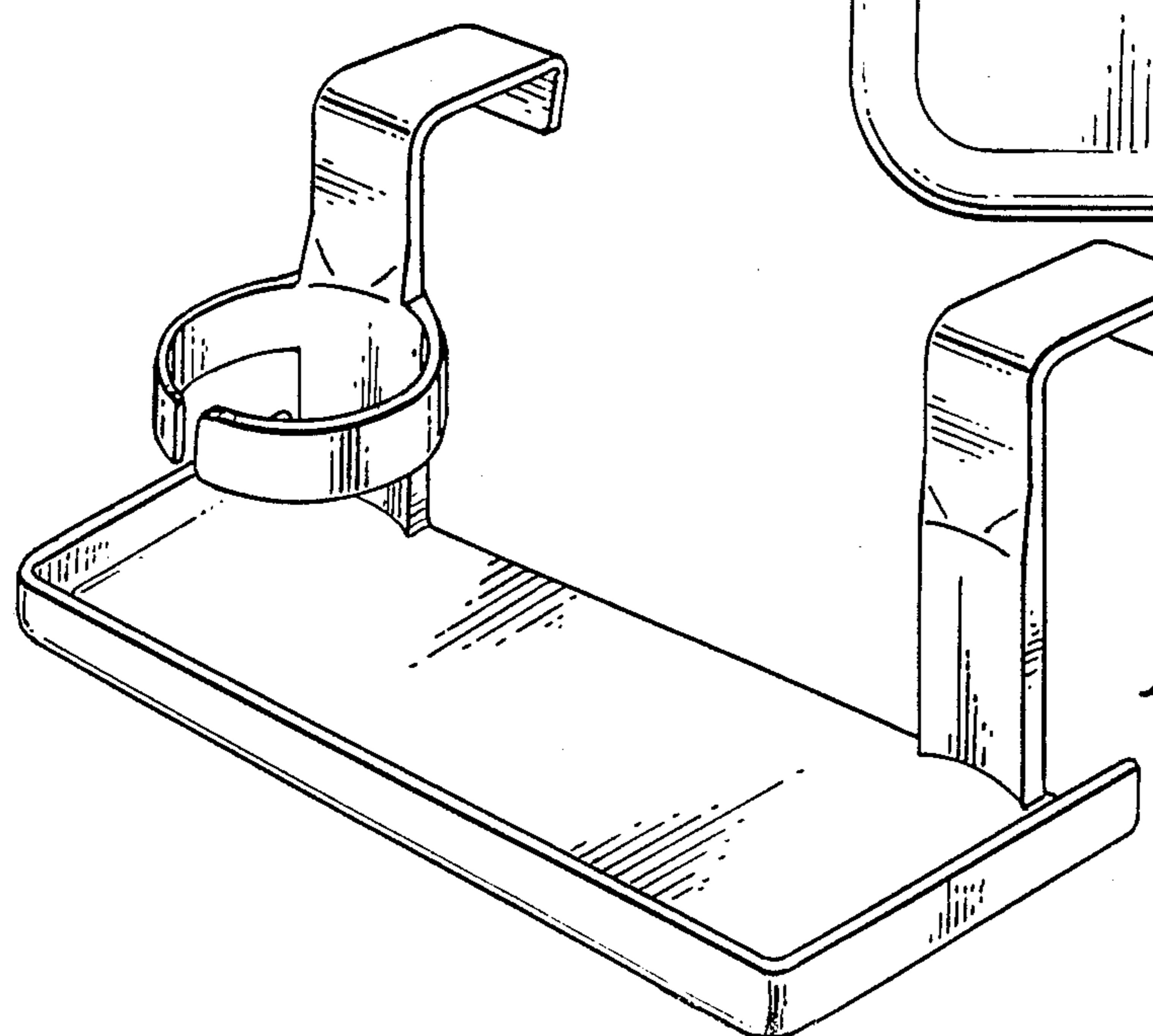
*Fig. 1.*



*Fig. 2.*



*Fig. 3.*



*Fig. 5.*

*Fig. 4.*