

[54] PORTABLE HOSE CART

[75] Inventors: Keith D. Kitts, Glenview; Kenneth M. Hattori, Bensenville; Jeffrey D. Bransky, La Grange; Robert W. Sheldon, Oak Park, all of Ill.

[73] Assignee: Suncast Corporation, Batavia, Ill.

[**] Term: 14 Years

[21] Appl. No.: 84,553

[22] Filed: Aug. 12, 1987

[52] U.S. Cl. D34/26; D34/24

[58] Field of Search D34/12, 17, 24, 25, D34/26; 280/79.1 A, 79.3, 63, 64; 242/86.2; 137/355.27, 355.12, 355.26

[56] References Cited

U.S. PATENT DOCUMENTS

D. 288,496	2/1987	Brownlie	D34/17
2,512,756	6/1950	Wasserman	242/87
2,595,655	4/1950	Hannay	242/86

4,238,074	12/1980	Coons	137/355.12
4,512,361	4/1985	Tisbo et al.	137/355.27
4,586,676	5/1986	Johnston et al.	242/86
4,768,546	9/1988	Brusadin et al.	D34/26
4,777,976	10/1988	Johnston	137/355.27

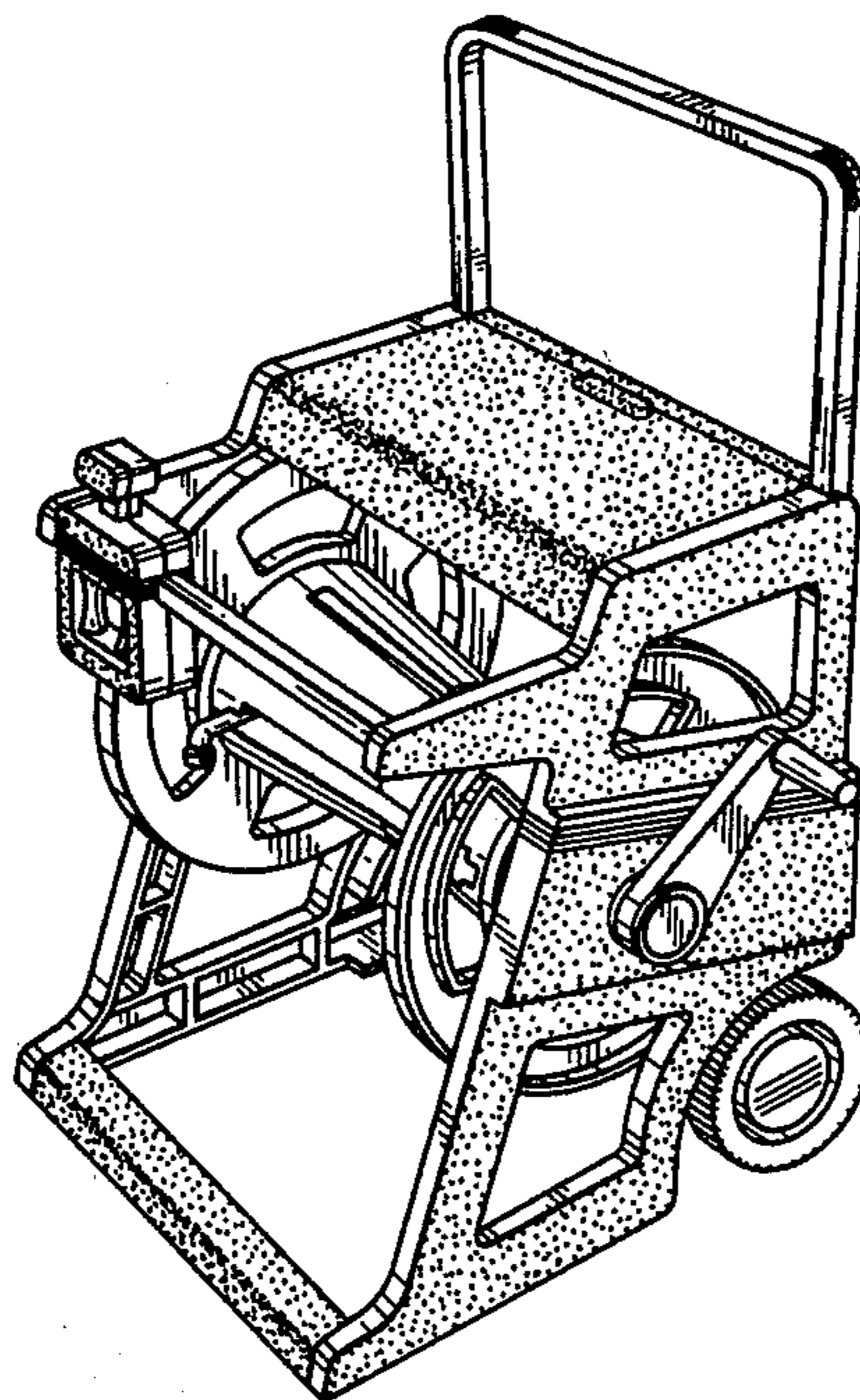
Primary Examiner—Wallace R. Burke
Assistant Examiner—Kay H. Chin
Attorney, Agent, or Firm—Fitch, Even, Tabin & Flannery

[57] CLAIM

The ornamental design for a portable hose cart, as shown and described.

DESCRIPTION

FIG. 1 is a perspective view of a portable hose cart embodying our new design; FIG. 2 is a front elevational view thereof; FIG. 3 is a right side elevational view thereof; FIG. 4 is a left side elevational view thereof; FIG. 5 is a rear elevational view thereof; FIG. 6 is a top plan view thereof; and FIG. 7 is a bottom plan view thereof.



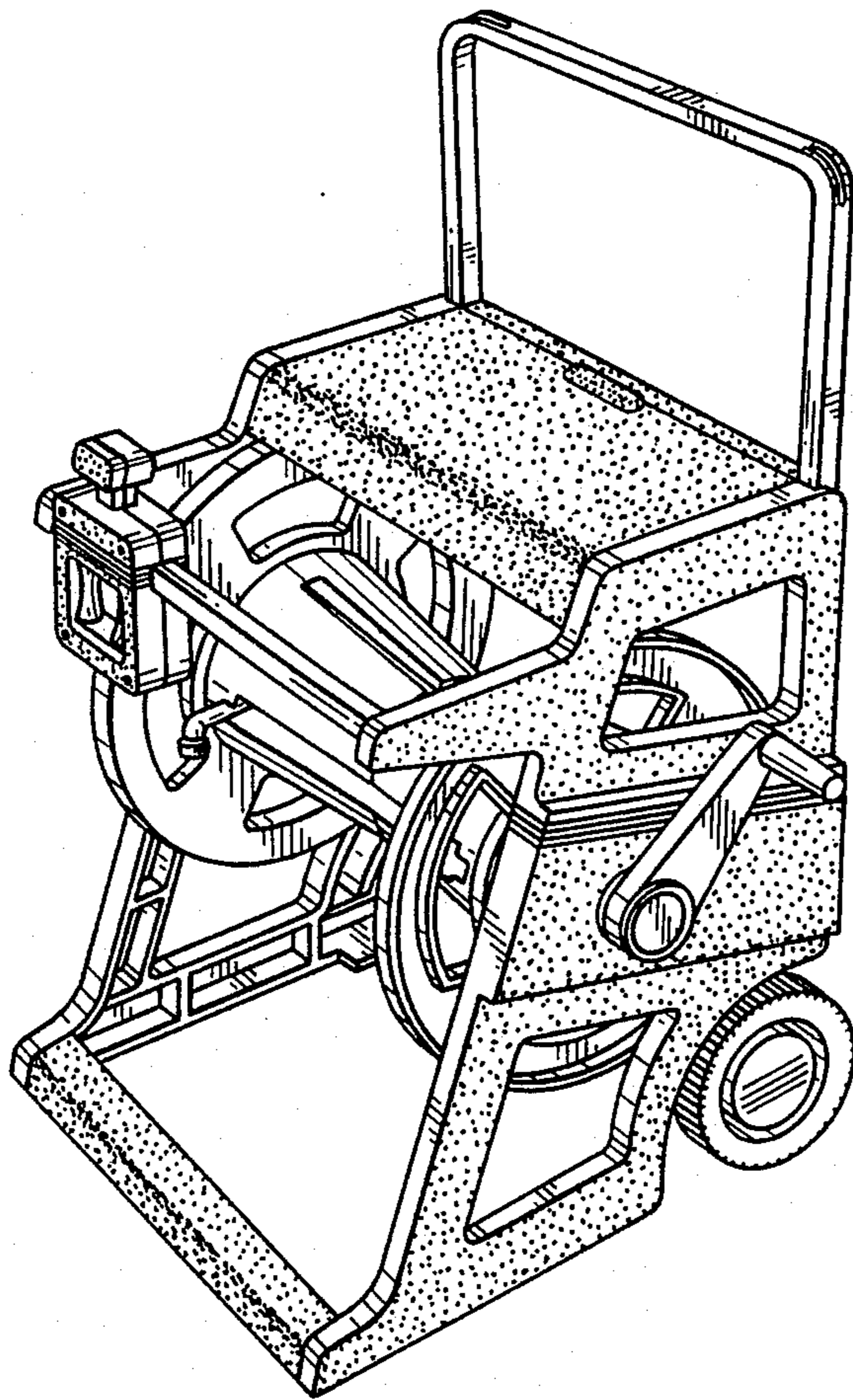


FIG. 1

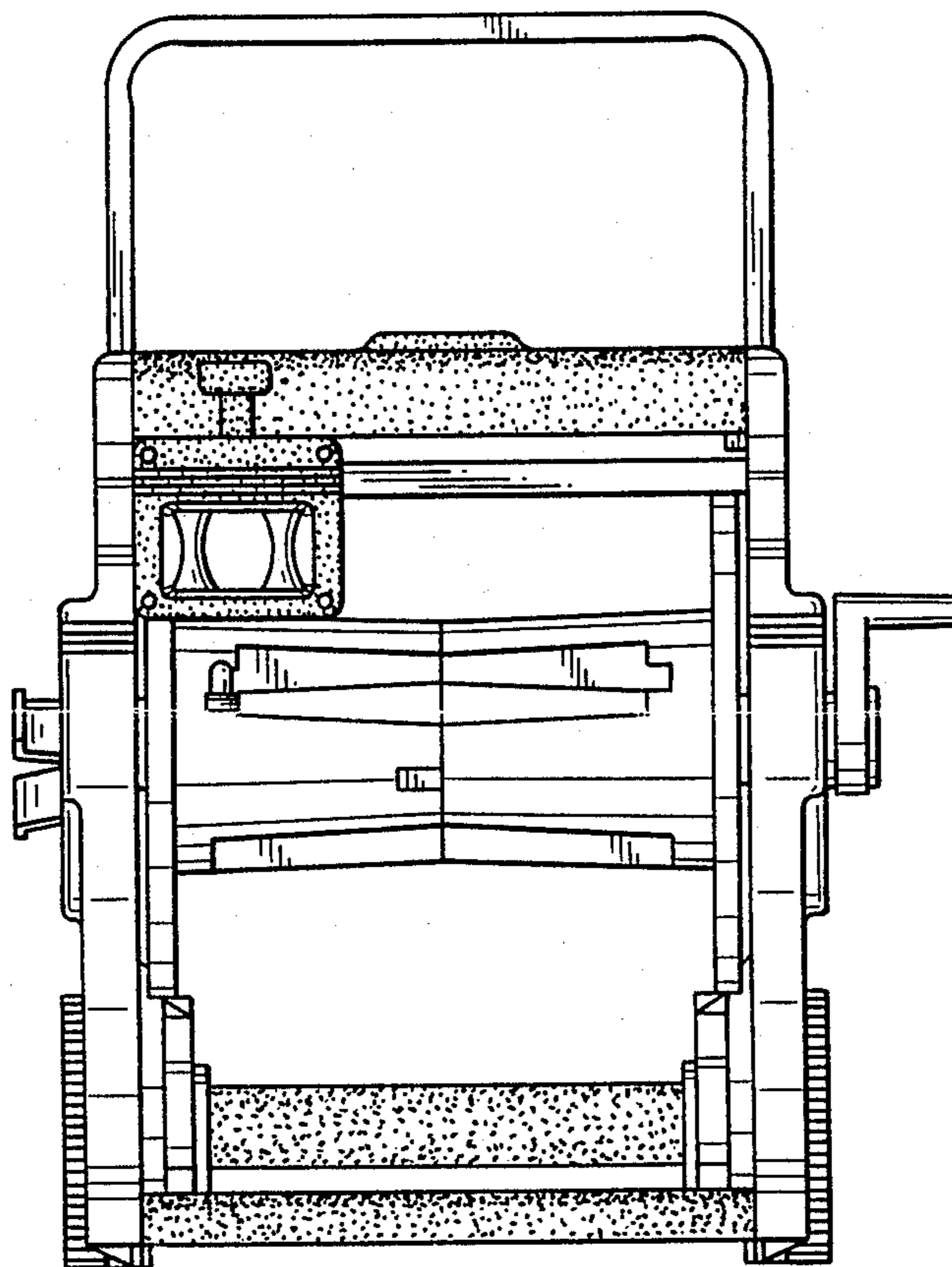


FIG. 2

FIG. 3

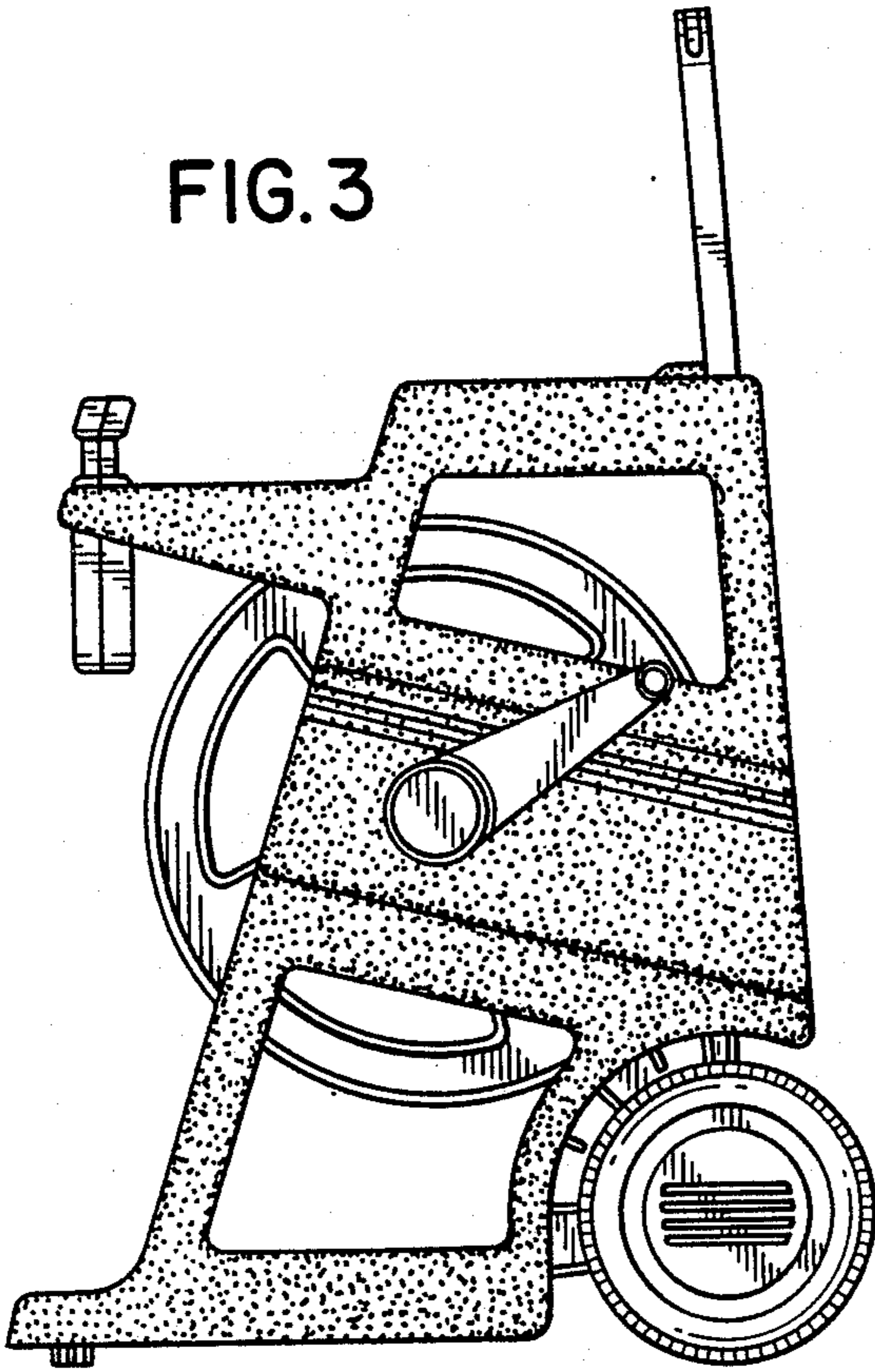


FIG. 4

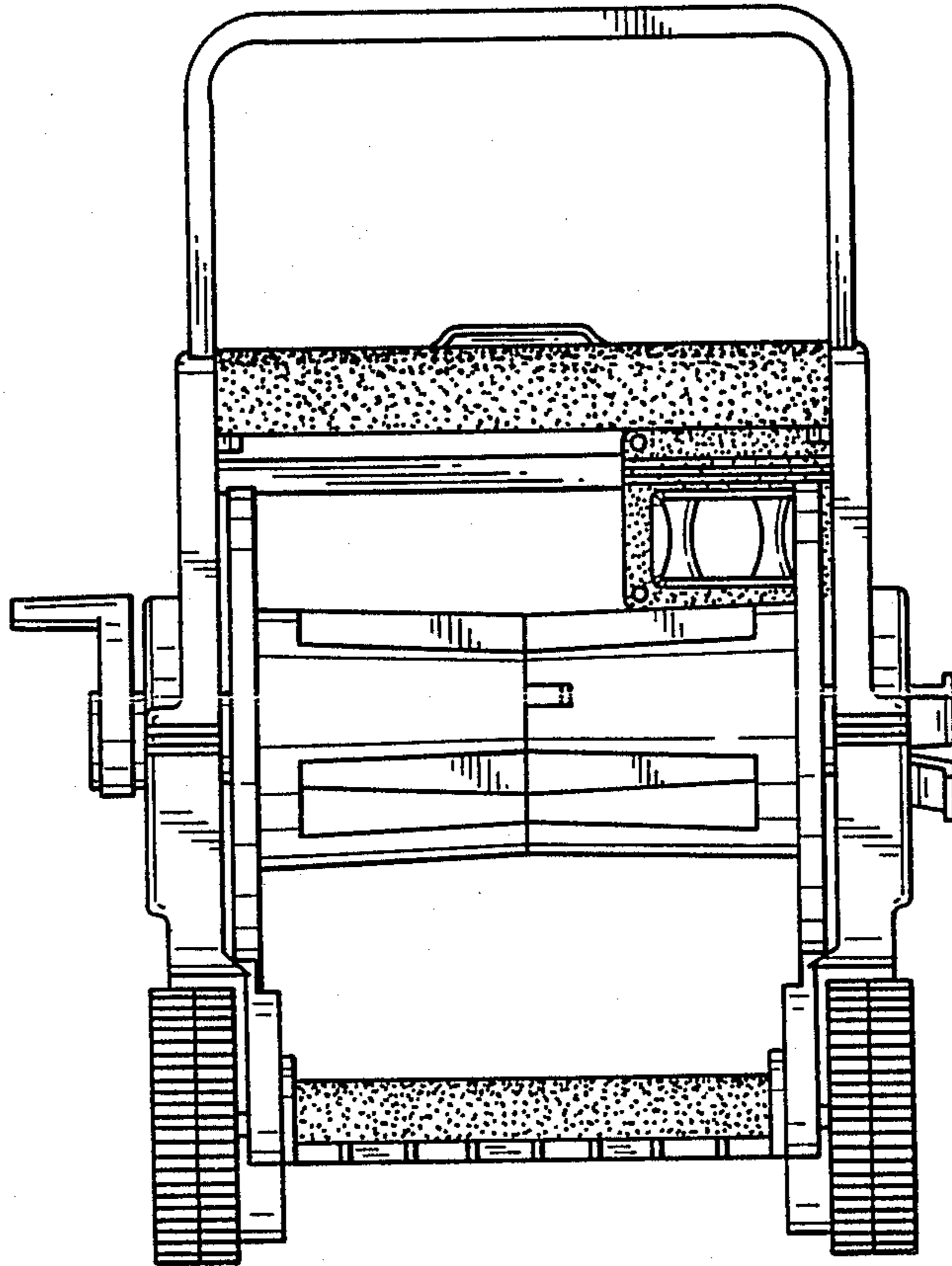
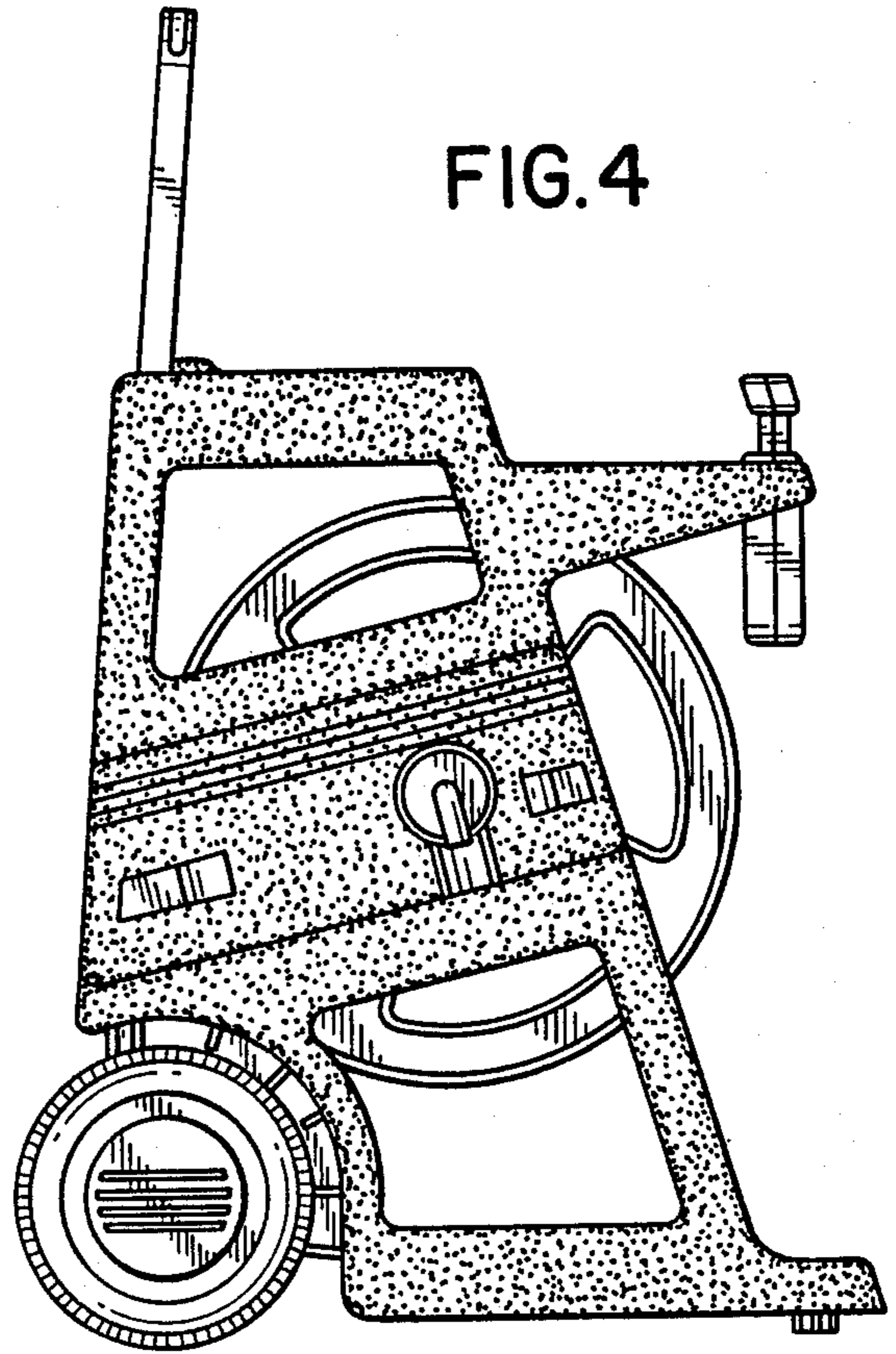


FIG. 5

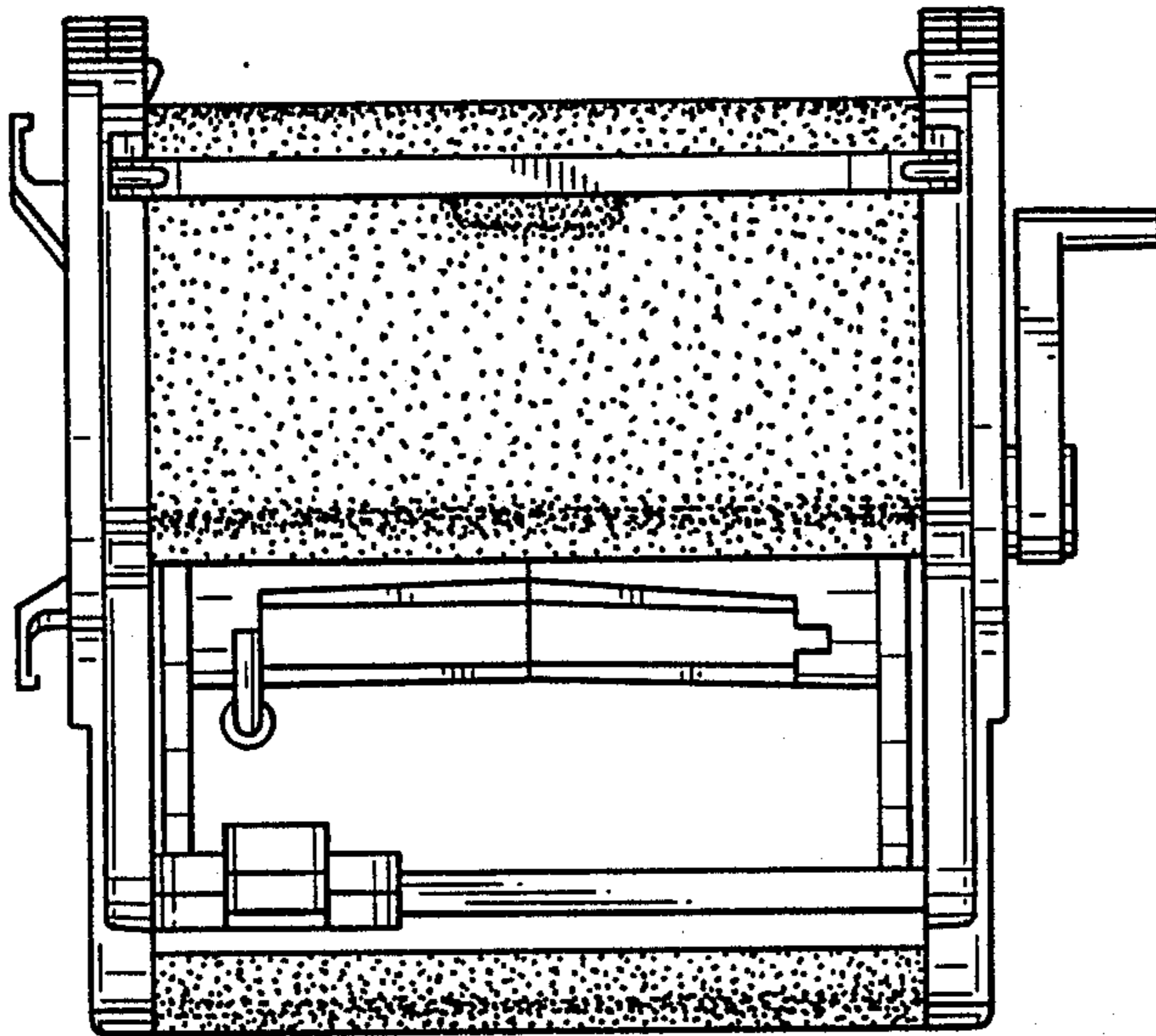


FIG. 6

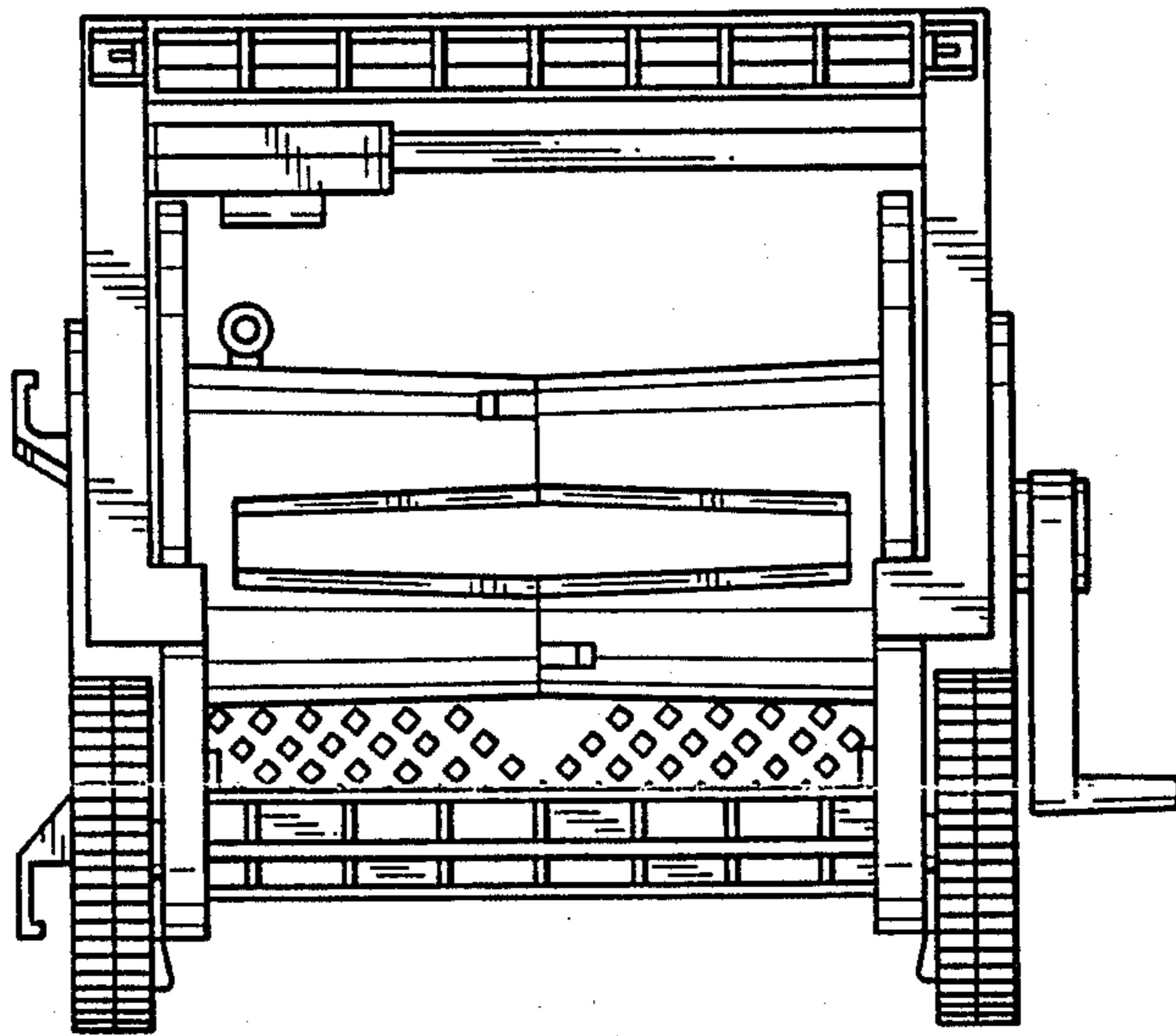


FIG. 7

UNITED STATES PATENT AND TRADEMARK OFFICE
CERTIFICATE OF CORRECTION

PATENT NO. : Des. 303,446

DATED : September 12, 1989

Page 1 of 2

INVENTOR(S) : Keith D. Kitts et al.

It is certified that error appears in the above-identified patent and that said Letters Patent is hereby corrected as shown below:

Figure 3 and Figure 5 of the Drawings should be corrected as shown on the attached sheet.

**Signed and Sealed this
Seventeenth Day of December, 1991**

Attest:

Attesting Officer

HARRY F. MANBECK, JR.

Commissioner of Patents and Trademarks

UNITED STATES PATENT AND TRADEMARK OFFICE
CERTIFICATE OF CORRECTION

PATENT NO. : Des. 303,446

DATED : September 12, 1989

Page 2 of 2

INVENTOR(S) : Keith D. Kitts et al.

It is certified that error appears in the above-identified patent and that said Letters Patent is hereby corrected as shown below:

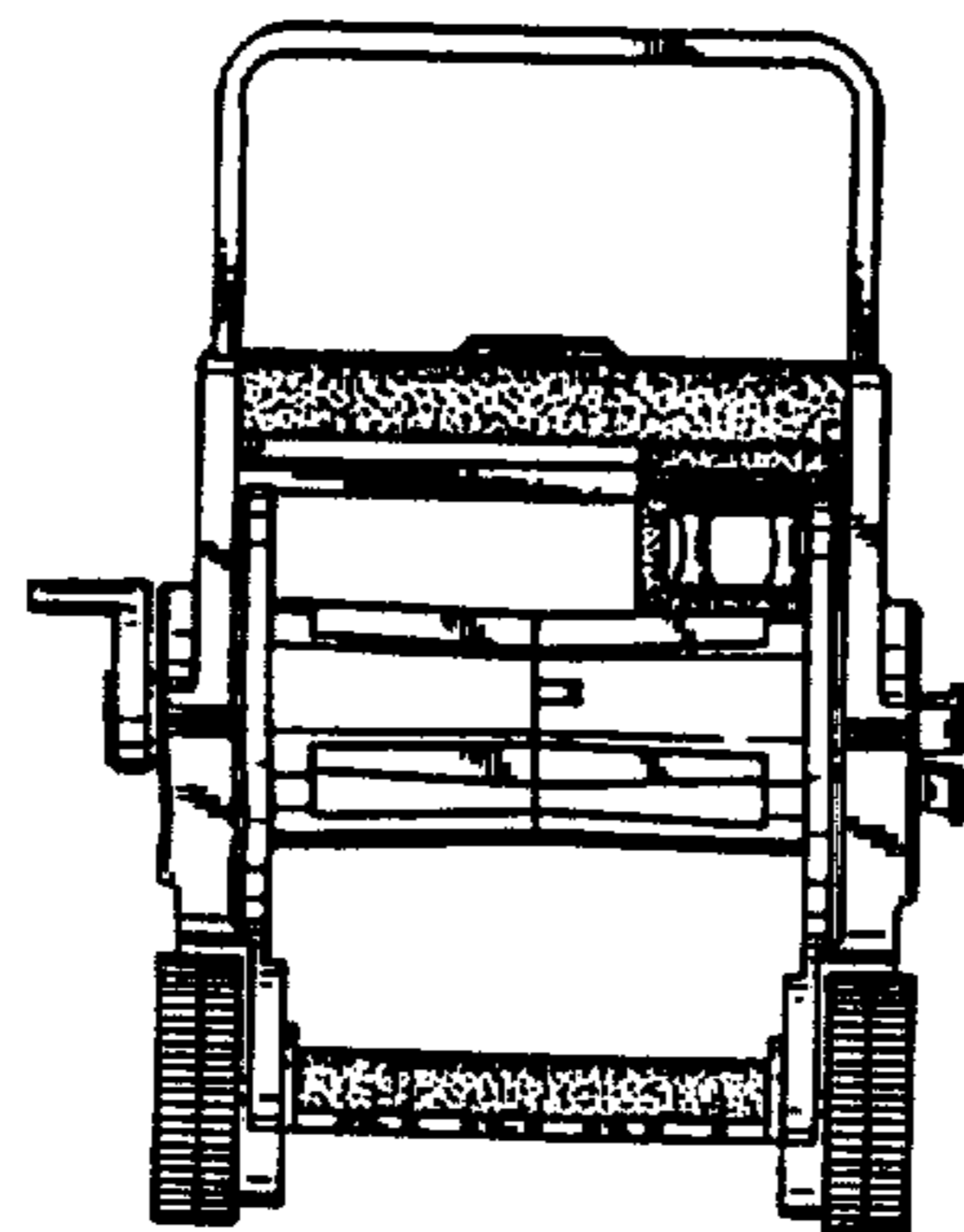
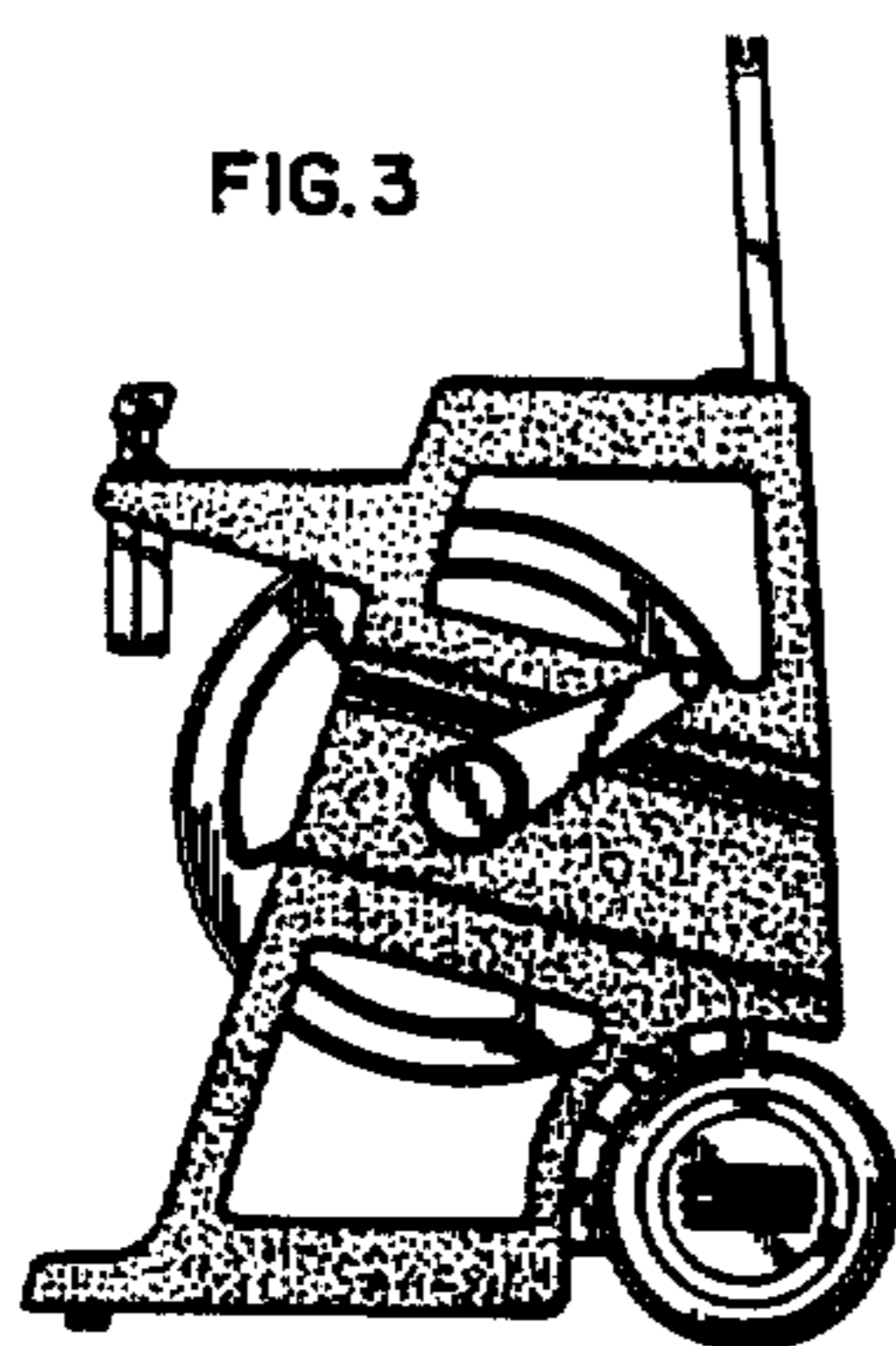


FIG.5