

[54] TRASH CAN CART

3,399,903 9/1968 Bailey 280/62

[76] Inventor: Ian R. Shoctor, 15004 - 89 Avenue,
Edmonton, Alberta T5R 4R1,
Canada

Primary Examiner—Wallace R. Burke
Assistant Examiner—Kay H. Chin
Attorney, Agent, or Firm—George Dunsmuir

[**] Term: 14 Years

[57] CLAIM

[21] Appl. No.: 120,802

The ornamental design for a trash can cart, as shown
and described.

[22] Filed: Nov. 16, 1987

[52] U.S. Cl. D34/18; D34/26

[58] Field of Search D34/17, 18, 26, 12;
280/47.2, 47.26, 47.24, 47.34, 62

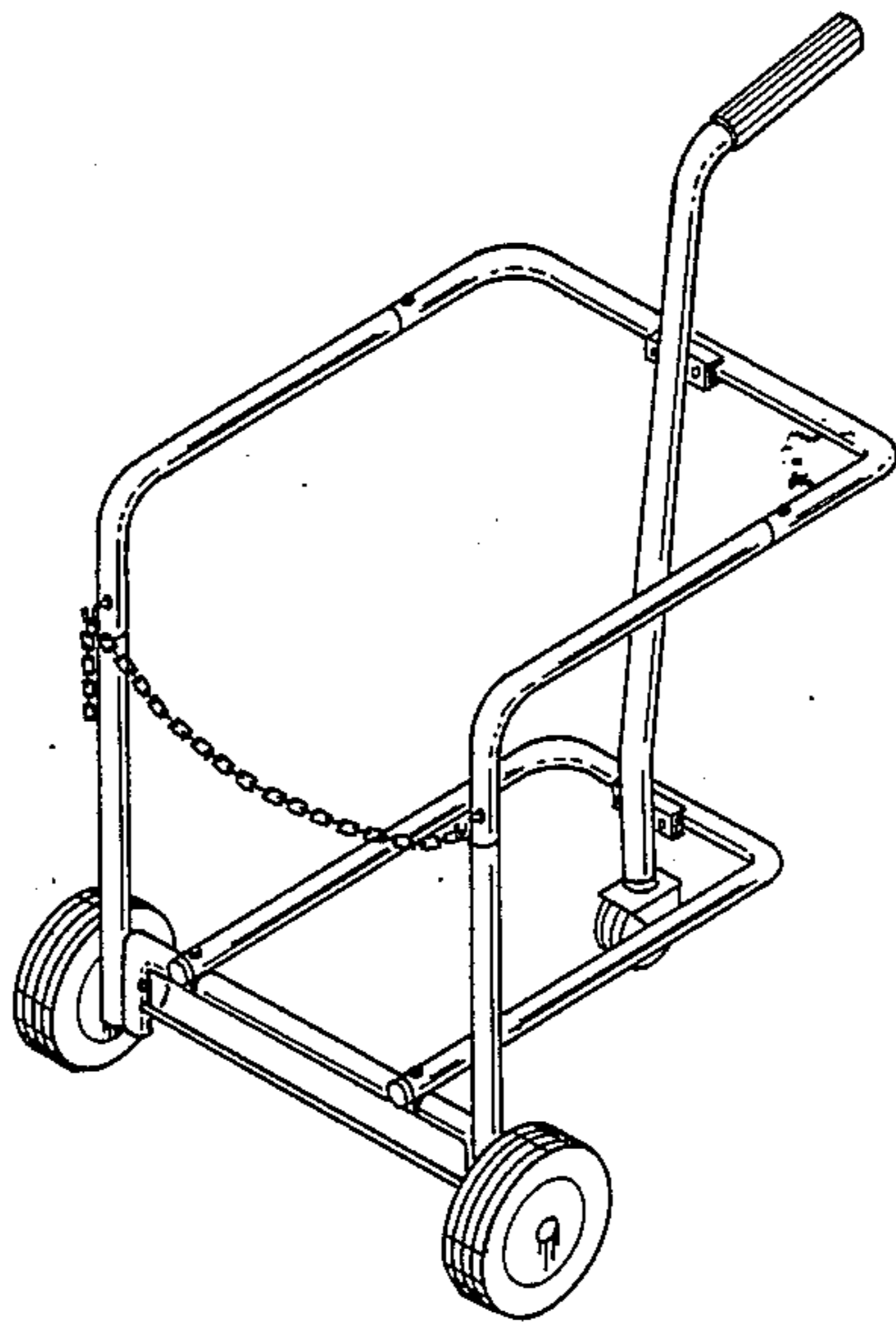
DESCRIPTION

[56] References Cited

U.S. PATENT DOCUMENTS

- D. 188,754 9/1960 Canning D34/24
- 3,041,085 6/1962 White D34/18

FIG. 1 is a front perspective view of a trash can cart showing my new design;
 FIG. 2 is a side elevational view thereof, the opposite side elevational view being a mirror image of that shown;
 FIG. 3 is a top plan view thereof; and,
 FIG. 4 is a front elevational view thereof.



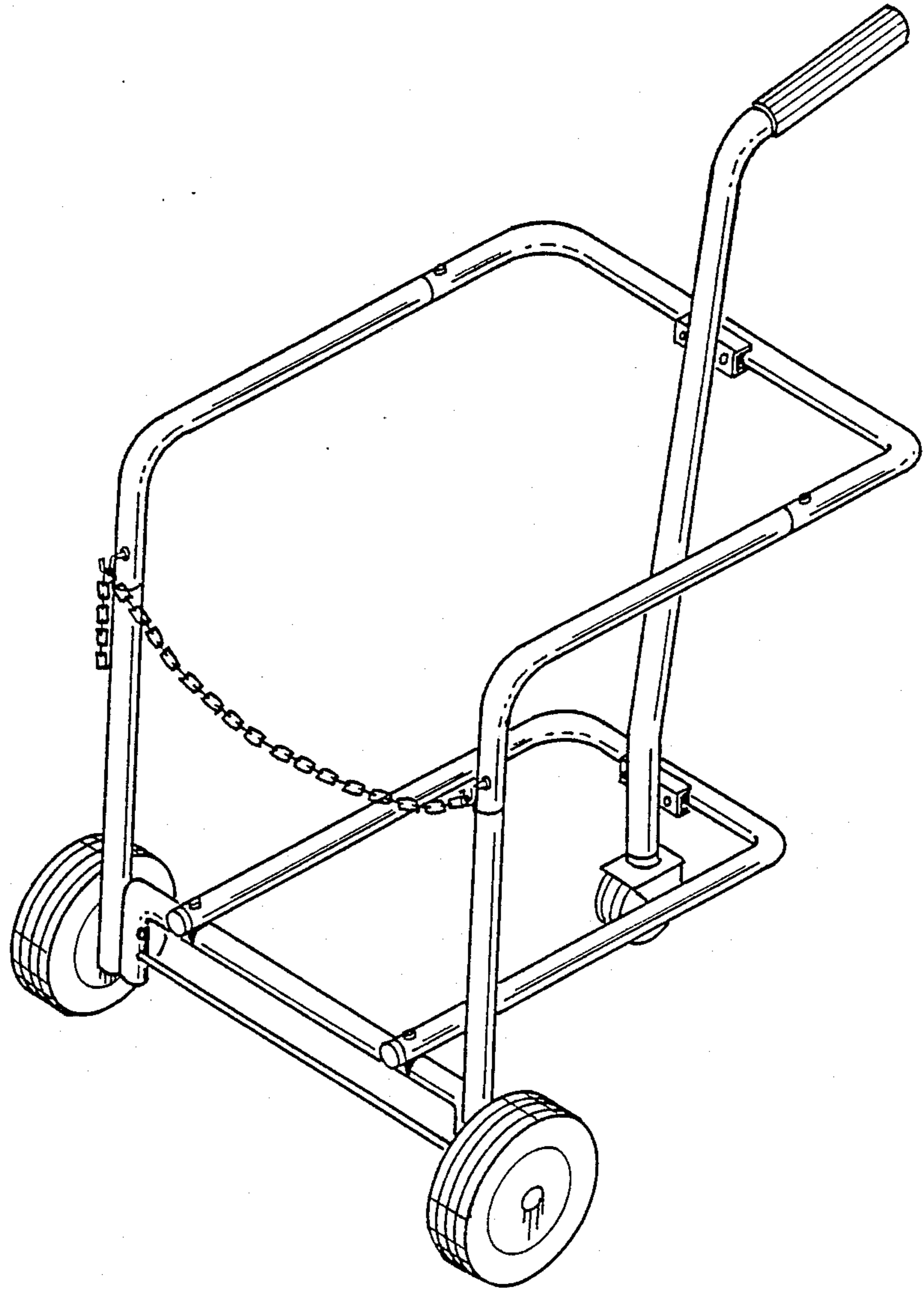


FIG. 1

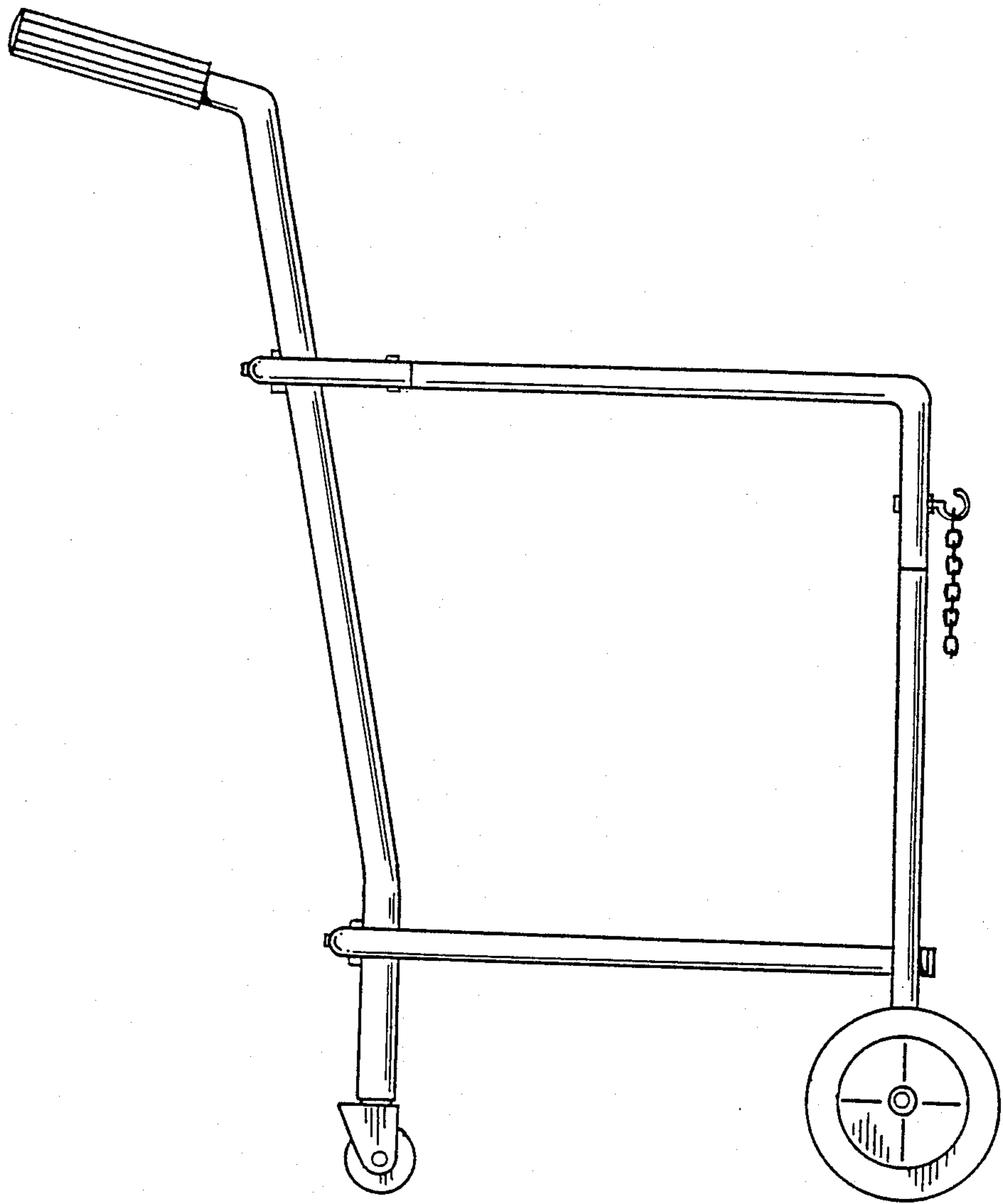


FIG. 2

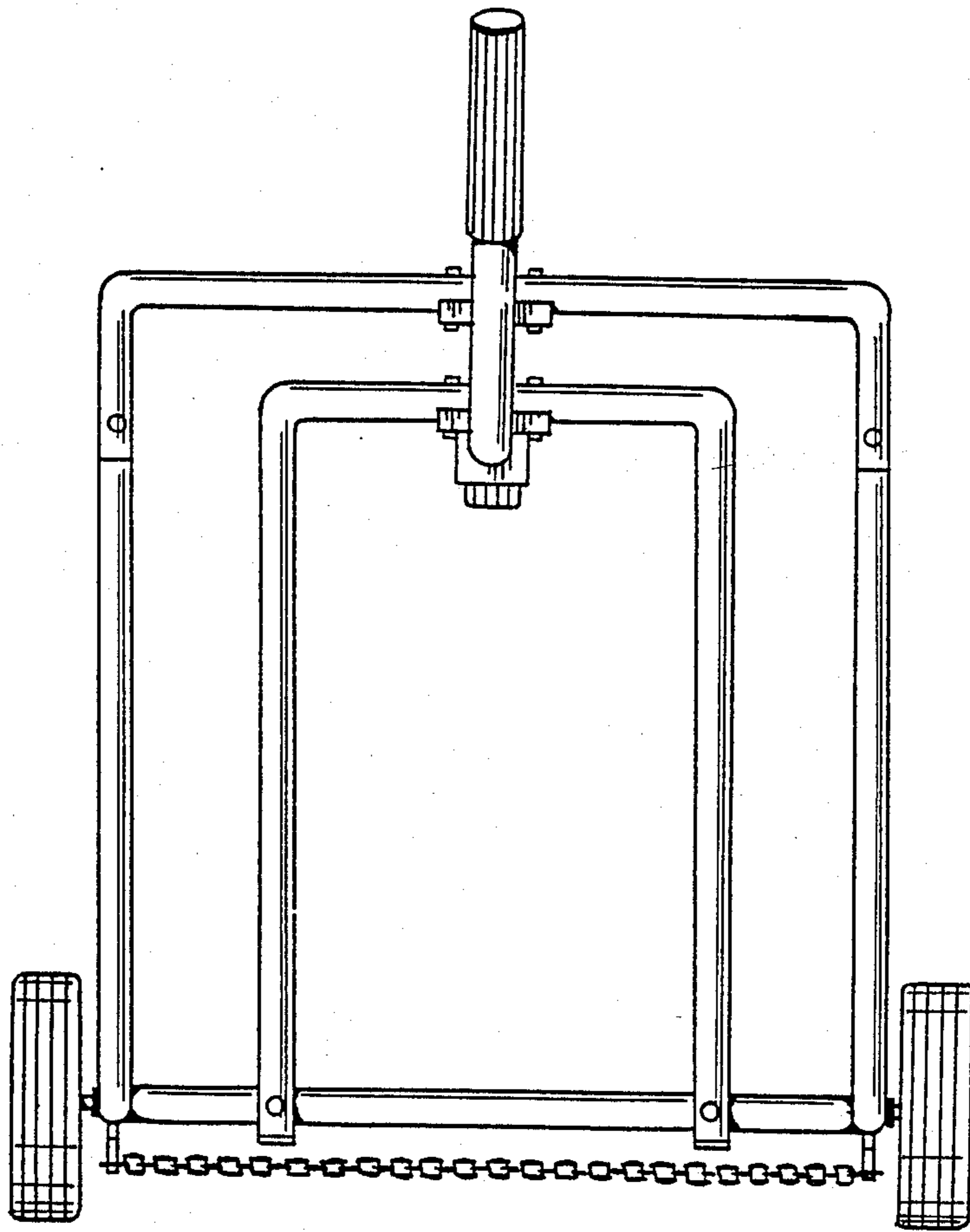


FIG. 3

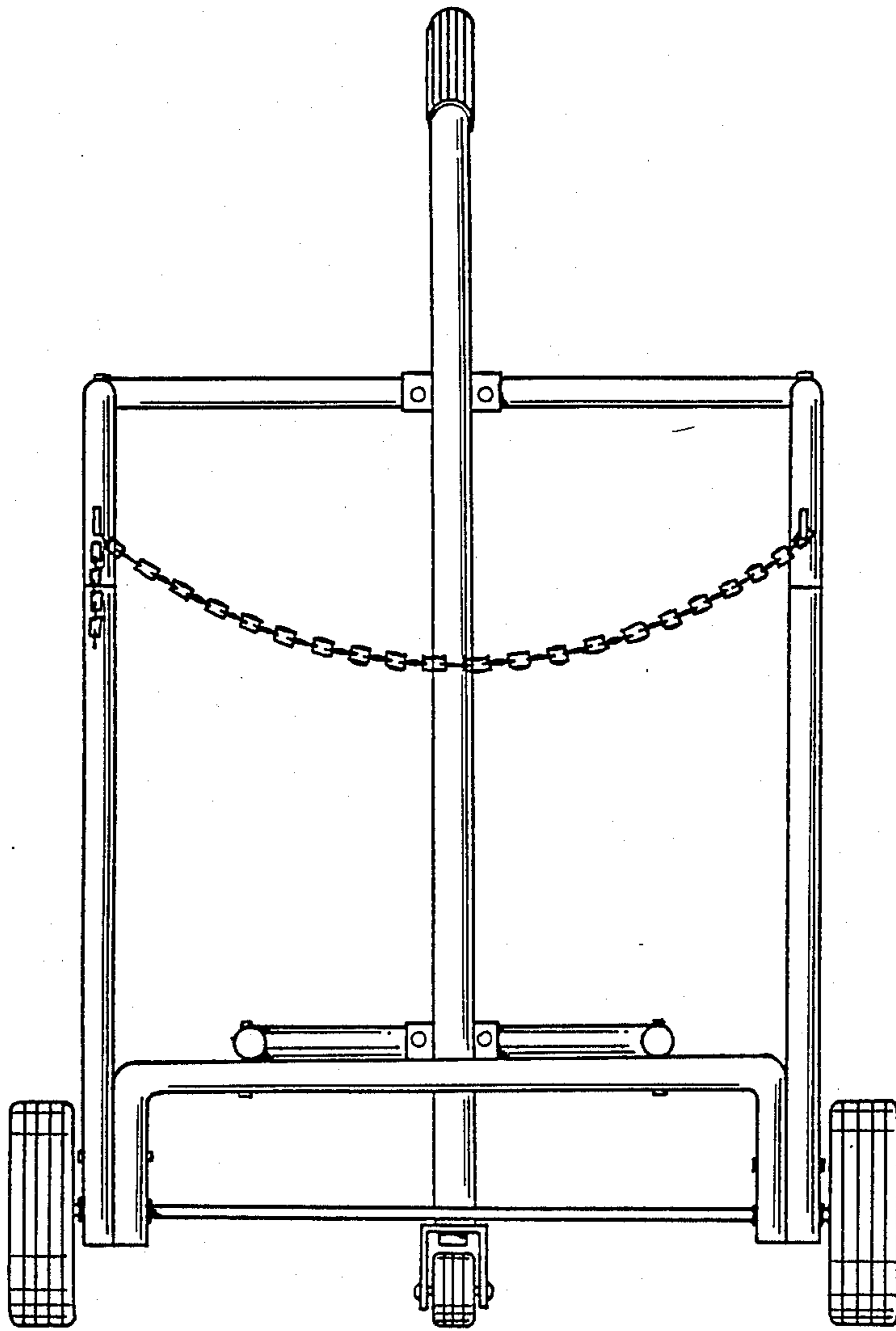


FIG. 4