

[54] **ELECTROSONIC CLEANING BATH**

[75] **Inventor: Marc Harrison, Portsmouth, R.I.**

[73] **Assignee: Connoisseurs Products Corporation, Somerville, Mass.**

[*] **Notice: The portion of the term of this patent subsequent to Nov. 26, 2009 has been disclaimed.**

[**] **Term: 14 Years**

[21] **Appl. No.: 933,592**

[22] **Filed: Nov. 21, 1986**

[52] **U.S. Cl. D32/1**

[58] **Field of Search D32/1-2, D32/5, 30; D9/414, 420, 430, 432, 352-353, 423; 134/56 R, 57 R, 184, 117-118, 102; 366/127**

[56] **References Cited**

U.S. PATENT DOCUMENTS

D. 204,306	4/1966	Hamm	D32/1
D. 213,637	3/1969	Ross	D32/2
D. 219,167	11/1970	Rissolo	D32/1
D. 261,423	10/1981	Geissler	D32/1
D. 281,539	11/1985	Harrison	D32/1

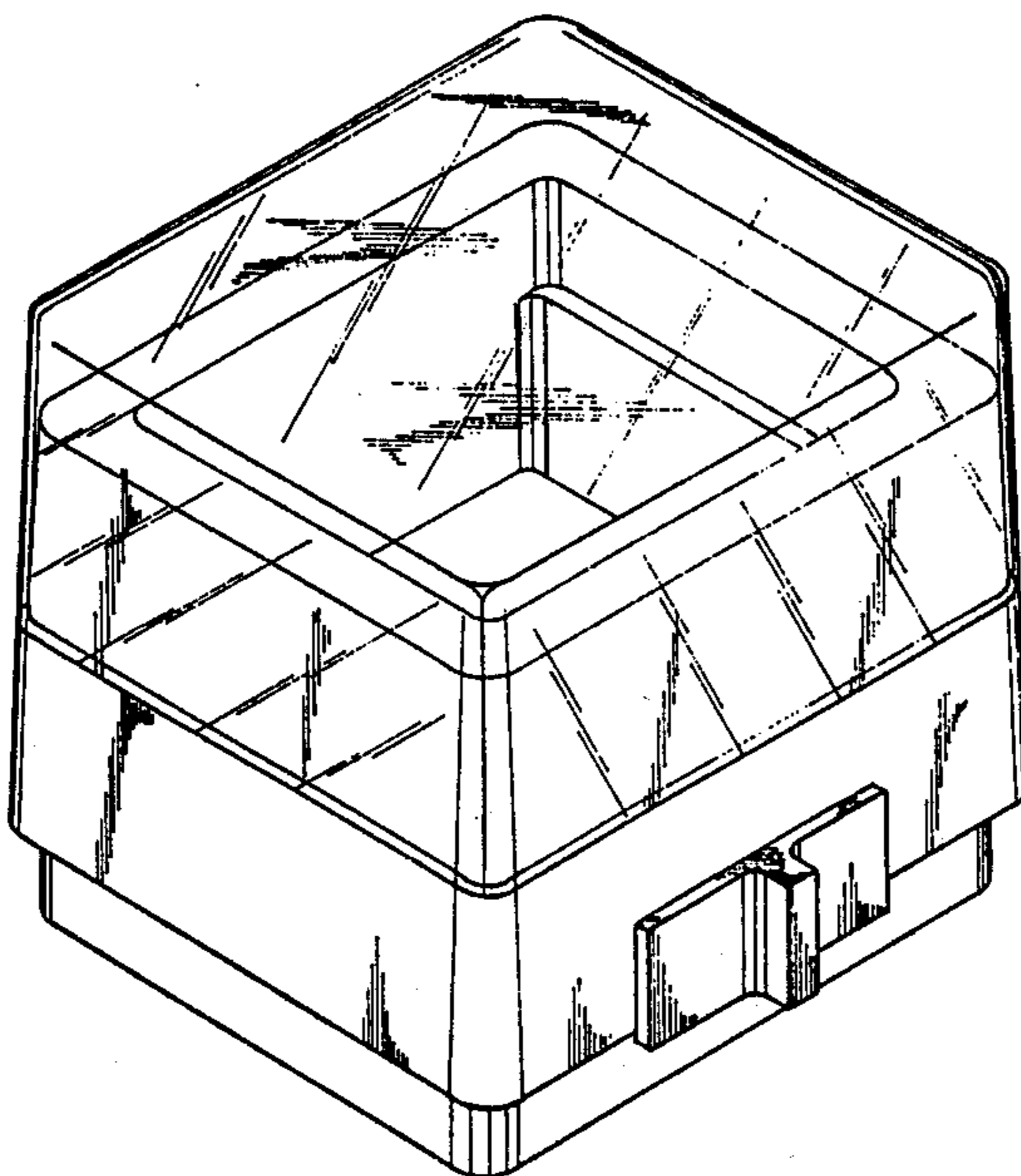
Primary Examiner—Bruce W. Dunkins
Assistant Examiner—Ruth Takemoto
Attorney, Agent, or Firm—Schiller, Pandiscio & Kusmer

[57] **CLAIM**

The ornamental design for an electrosonic cleaning bath enclosure, as shown.

DESCRIPTION

FIG. 1 is a top, front and side perspective view of an electrosonic cleaning bath enclosure showing my new design; and FIG. 2 is an exploded perspective view thereof.



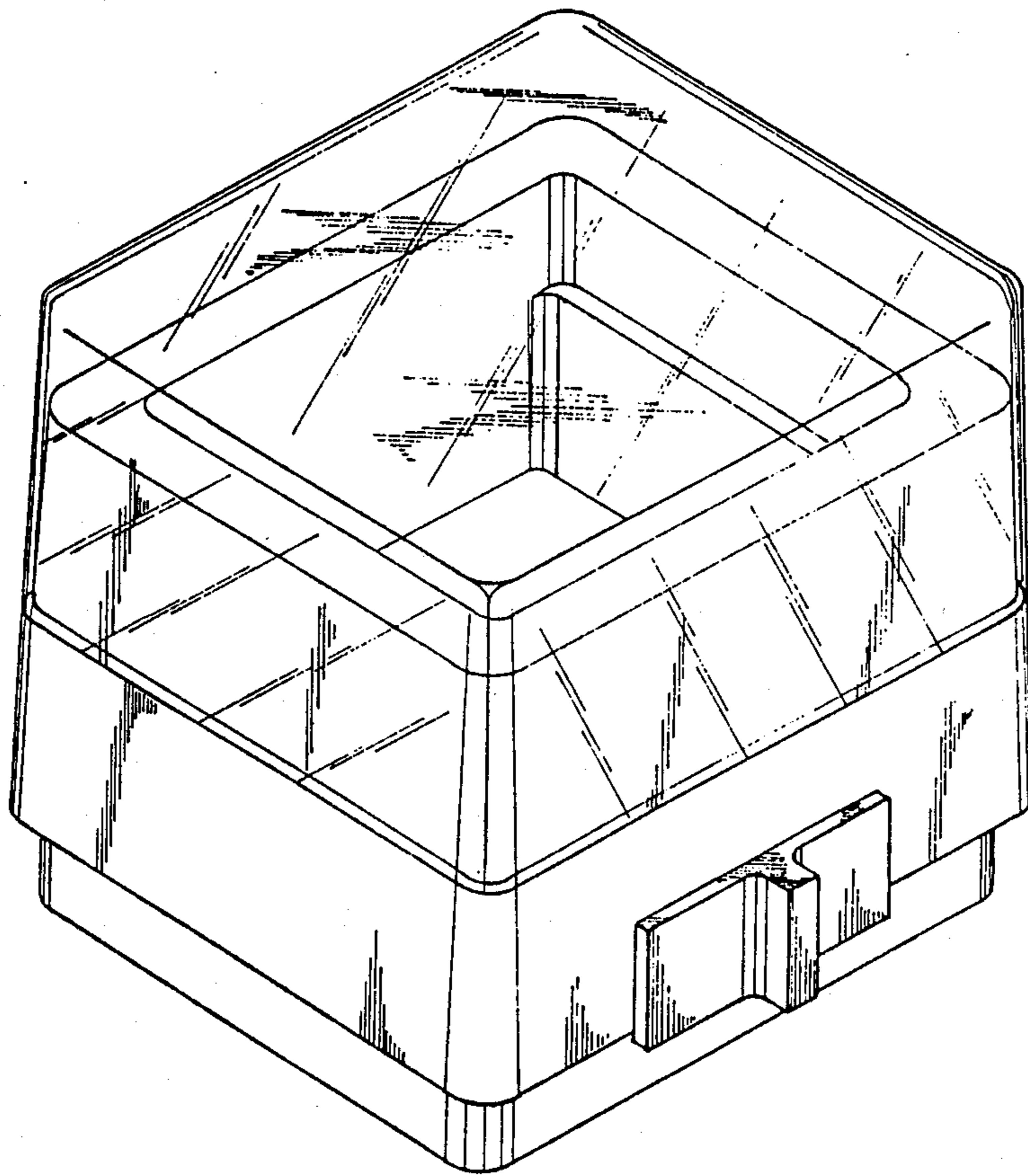


FIG. 1

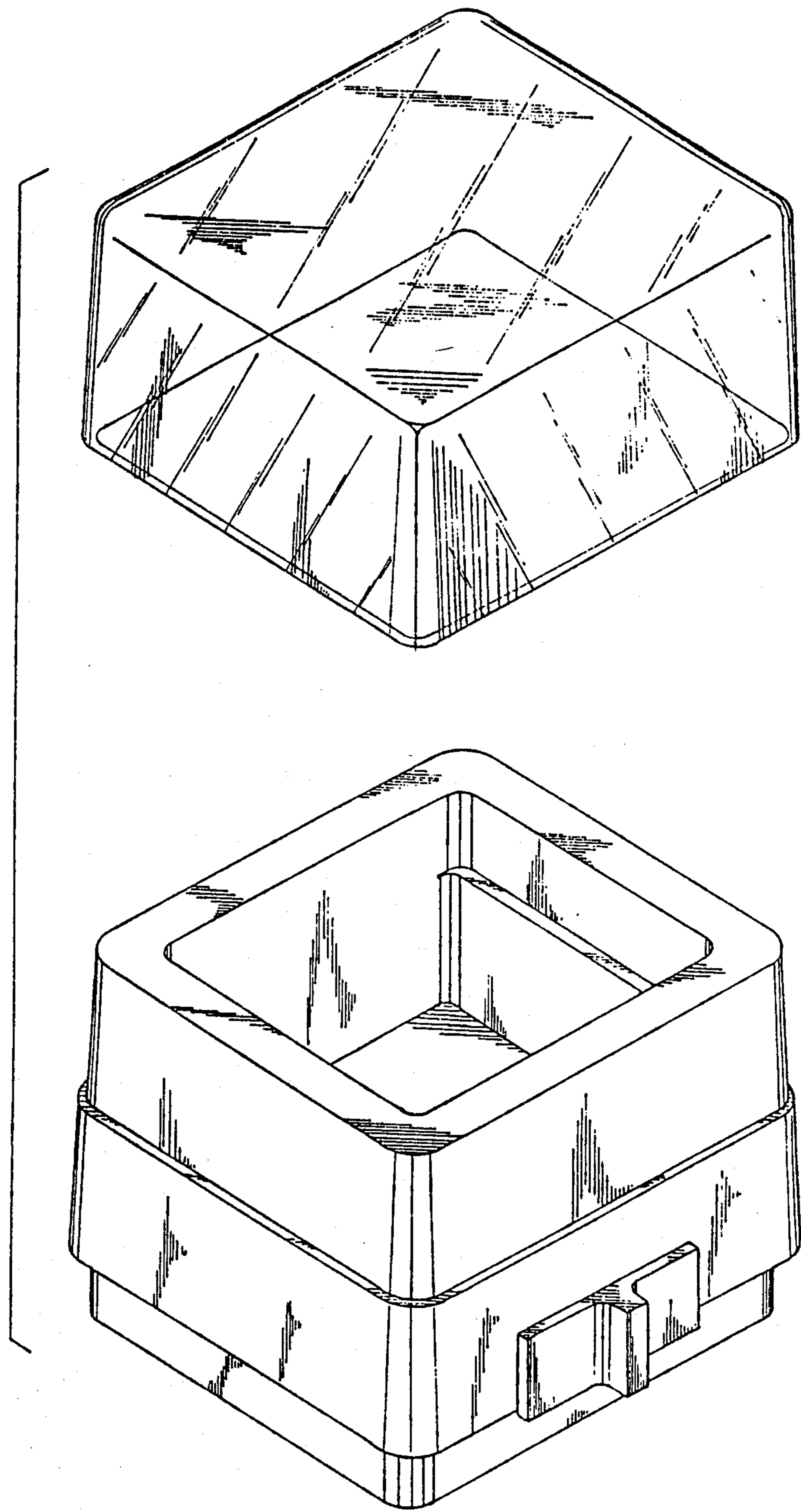


FIG. 2

UNITED STATES PATENT AND TRADEMARK OFFICE
CERTIFICATE OF CORRECTION

PATENT NO. : Des. 303,442
DATED : September 12, 1989
INVENTOR(S) : Marc Harrison

It is certified that error appears in the above-identified patent and that said Letters Patent is hereby corrected as shown below:

In the "Notice" section on the front page of the patent,
delete "2009" and substitute therefor -- 1999 --.

Signed and Sealed this
Twenty-sixth Day of November, 1991

Attest:

Attesting Officer

HARRY F. MANBECK, JR.

Commissioner of Patents and Trademarks