

[54] **REGULATOR MOUTHPIECE**

[75] **Inventor: Steven M. Campbell, Laguna Beach, Calif.**

[73] **Assignee: U.S. Divers Company, Santa Ana, Calif.**

[**] **Term: 14 Years**

[21] **Appl. No.: 88,206**

[22] **Filed: Aug. 24, 1987**

[52] **U.S. Cl. D29/7**

[58] **Field of Search D29/6, 7, 8, 9, 99;
128/136, 201.11, 207.14**

[56] **References Cited**

U.S. PATENT DOCUMENTS

D. 295,797	5/1988	Bono et al.	D29/7
3,101,732	8/1963	Dalla Valle	D29/7
4,031,888	6/1977	Walters	128/201.11
4,664,109	5/1987	Rasocha	128/201.11

OTHER PUBLICATIONS

Skin Diver, Apr. 1988, DUAL:XX TM by Wenoka Sea Style.

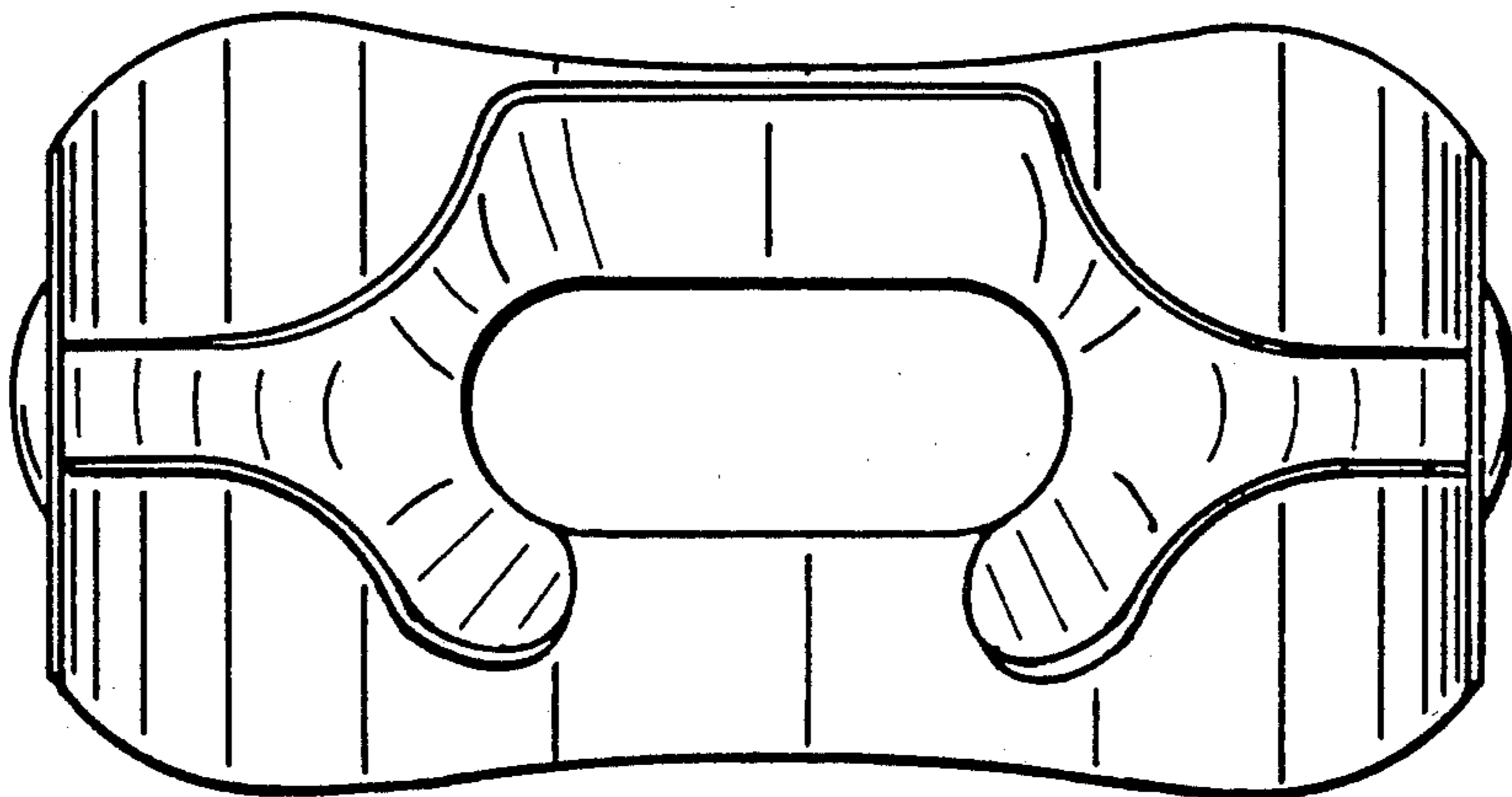
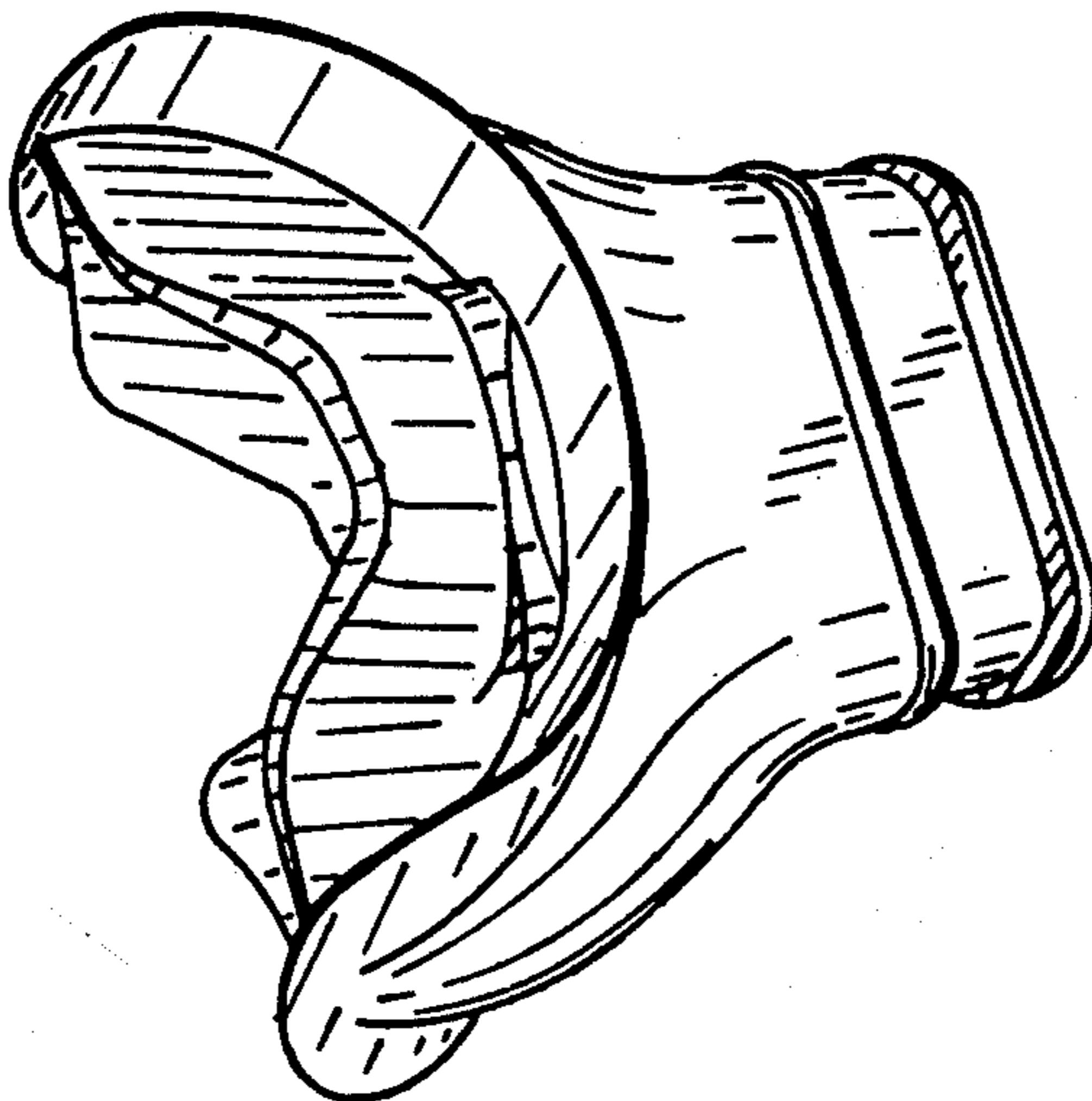
Primary Examiner—Wallace R. Burke
Assistant Examiner—Kay H. Chin
Attorney, Agent, or Firm—George F. Bethel; Patience K. Bethel

[57] **CLAIM**

The ornamental design for a regulator mouthpiece, as shown and described.

DESCRIPTION

FIG. 1 is a perspective view of a regulator mouthpiece showing my new design.
FIG. 2 is an enlarged front elevational view thereof.
FIG. 3 is an enlarged rear elevational view thereof.
FIG. 4 is an enlarged bottom plan view thereof.
FIG. 5 is an enlarged top plan view thereof.
FIG. 6 is an enlarged side elevational view thereof.
FIG. 7 is a front elevational view thereof, showing the regulator mouthpiece used in conjunction with a second stage diver's regulator. The broken lines are not part of the claimed design.



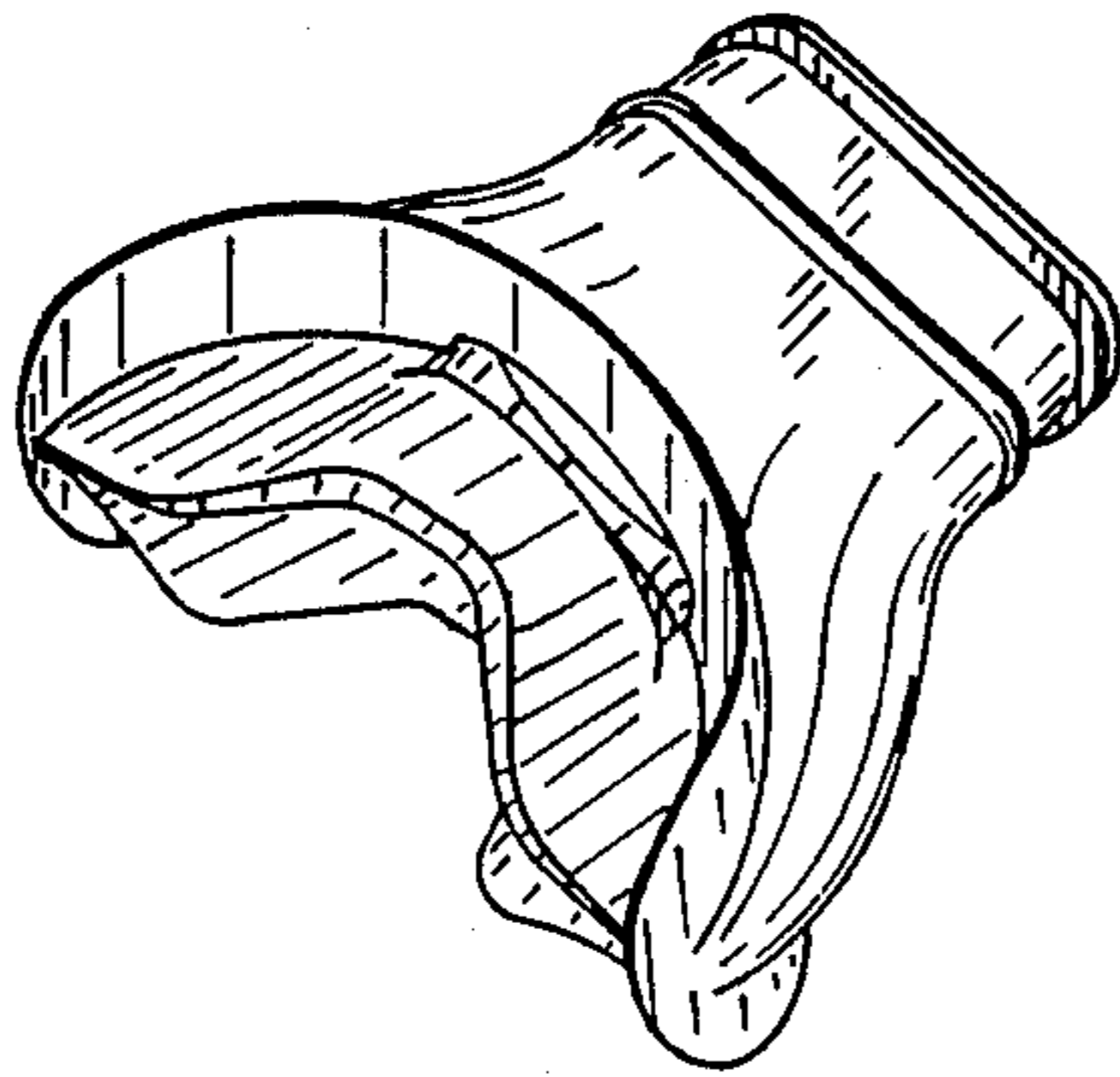


FIG. 1

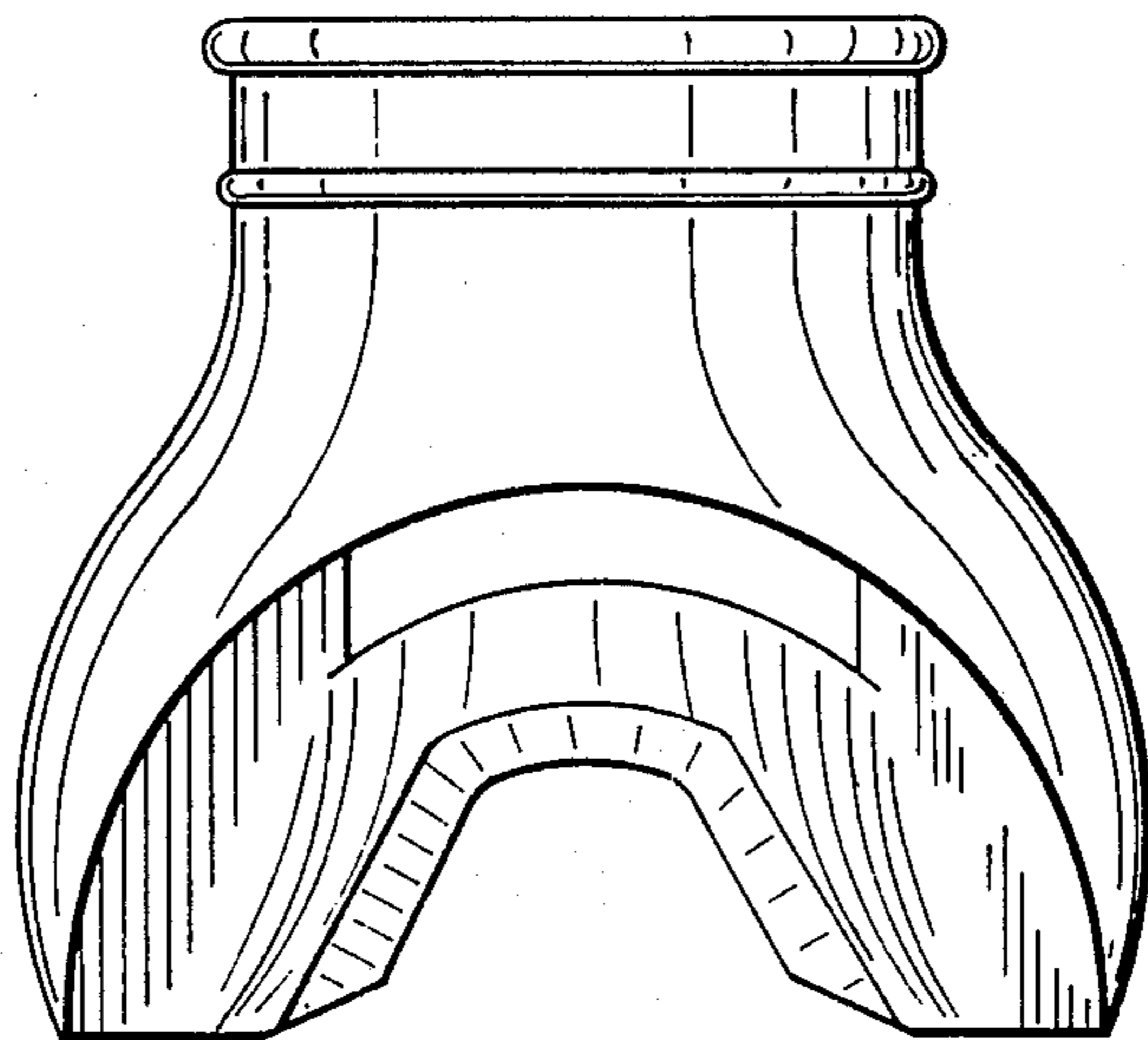


FIG. 2

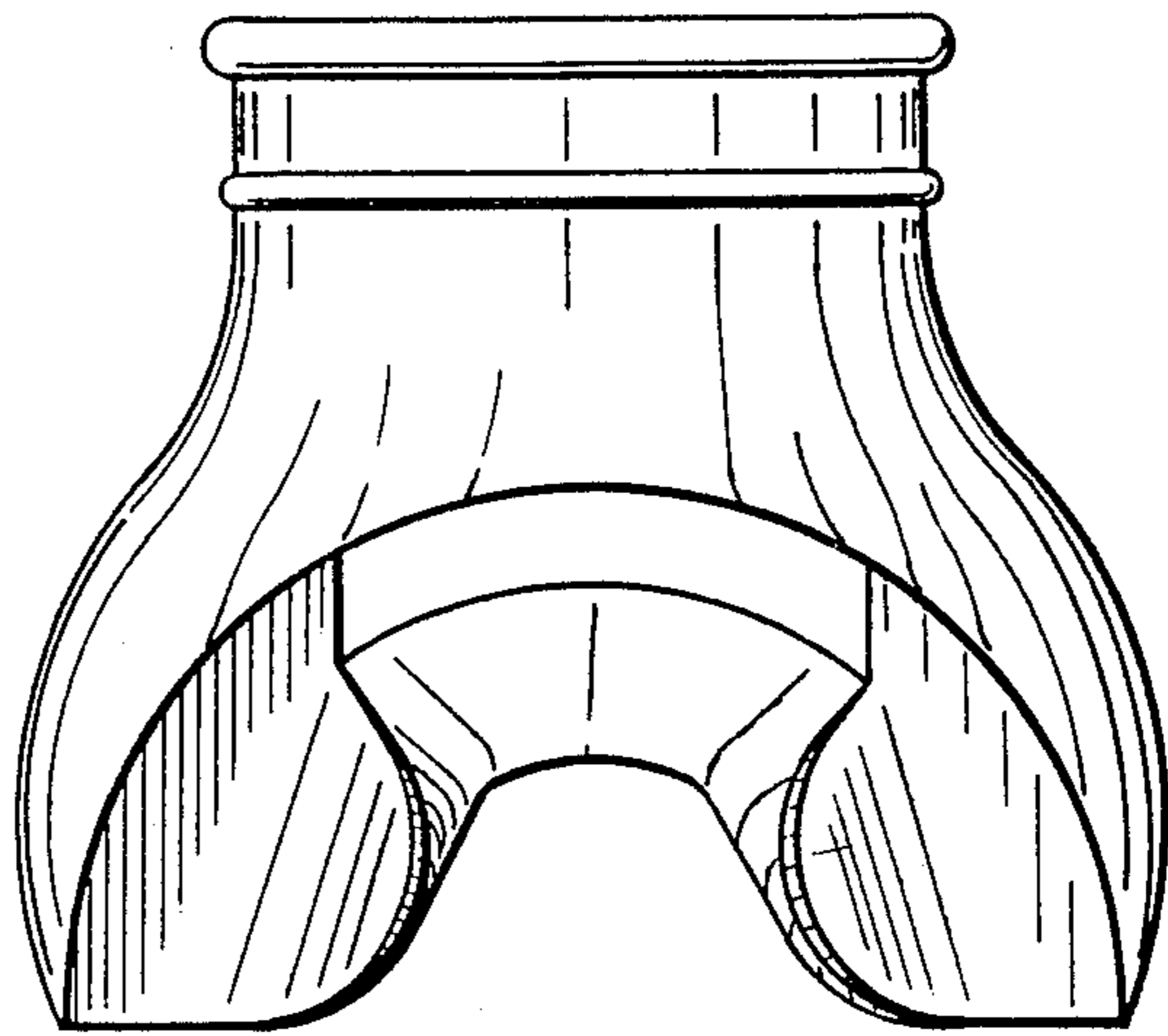


FIG. 3

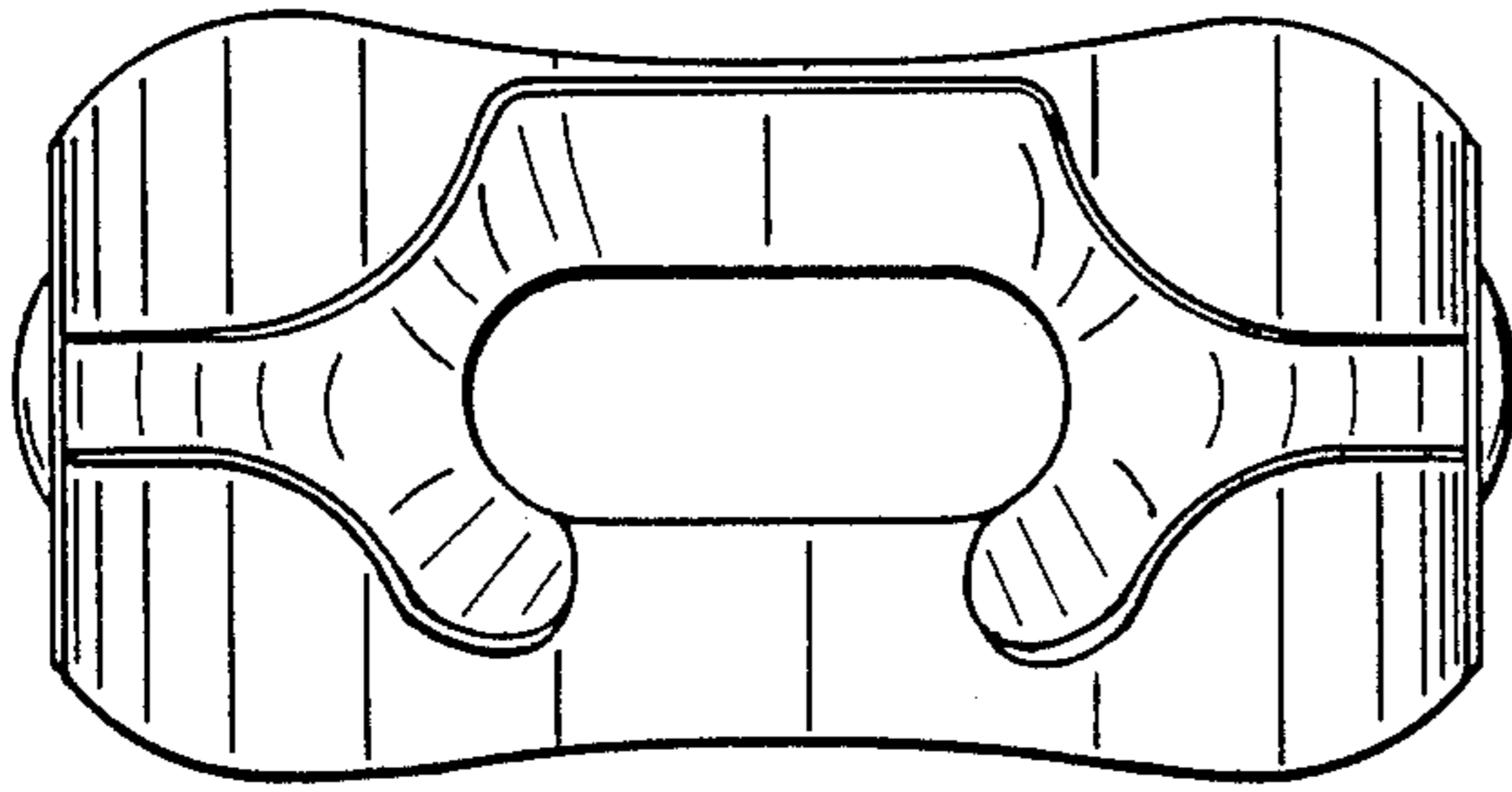


FIG. 4

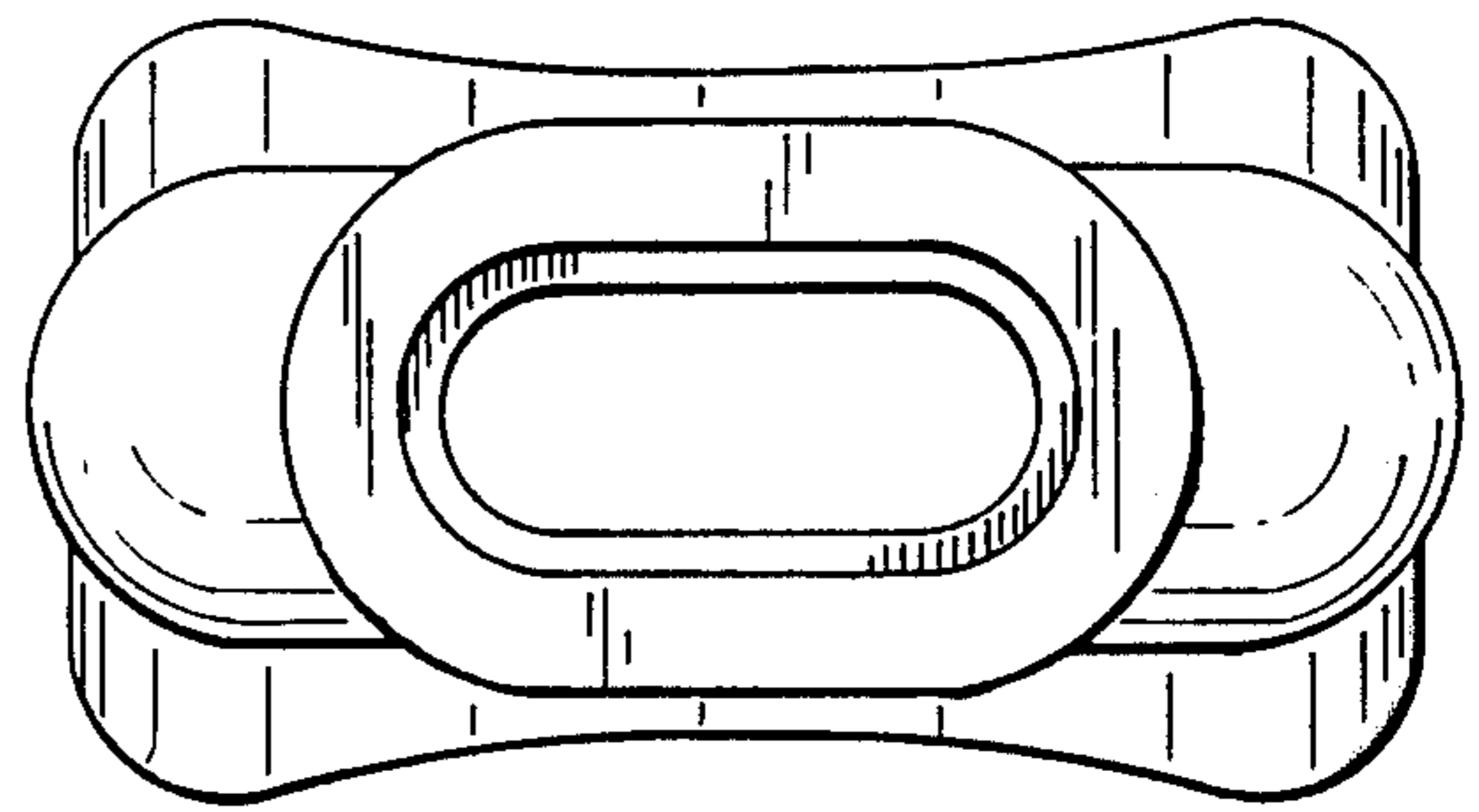


FIG. 5

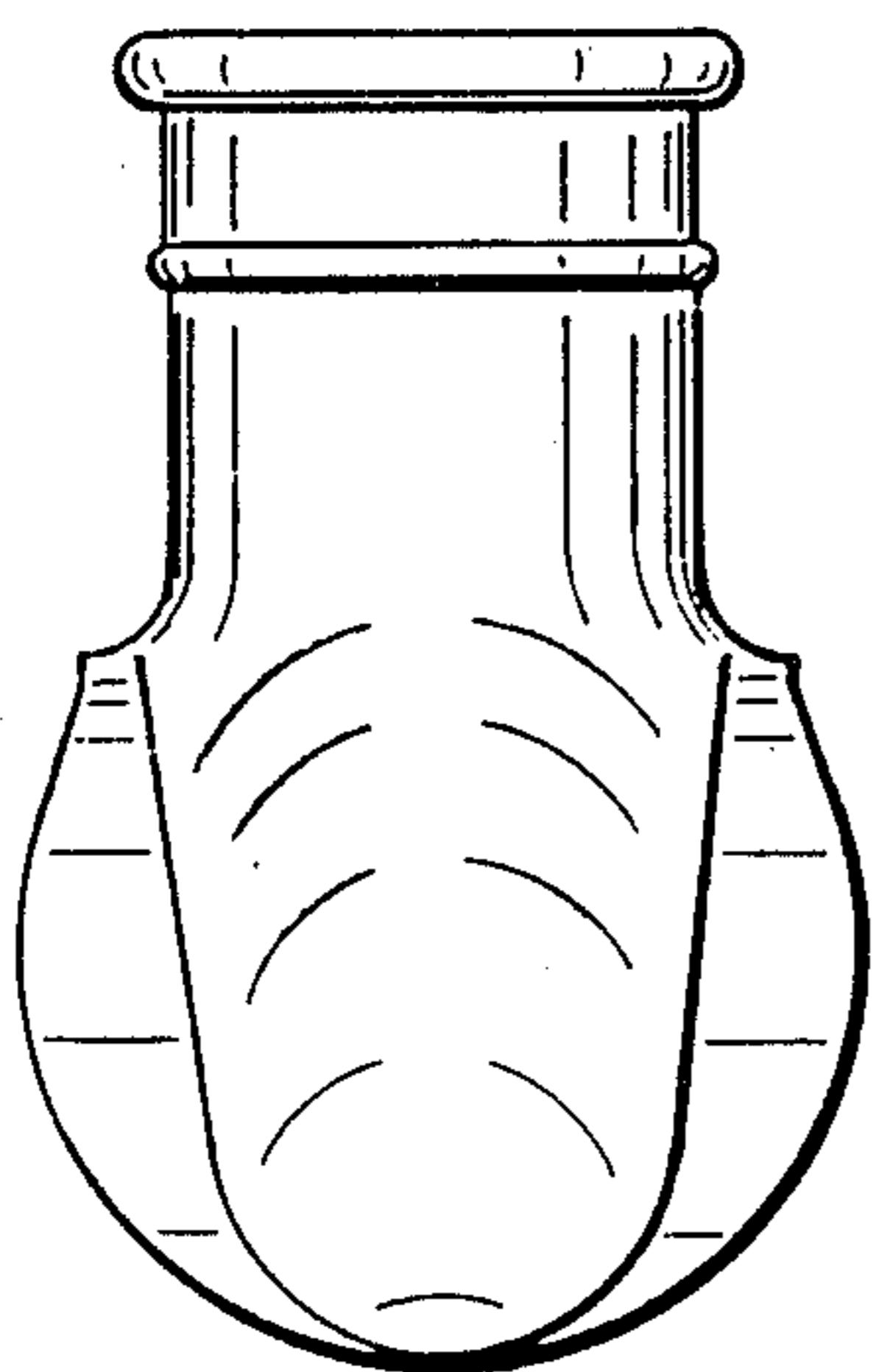


FIG. 6

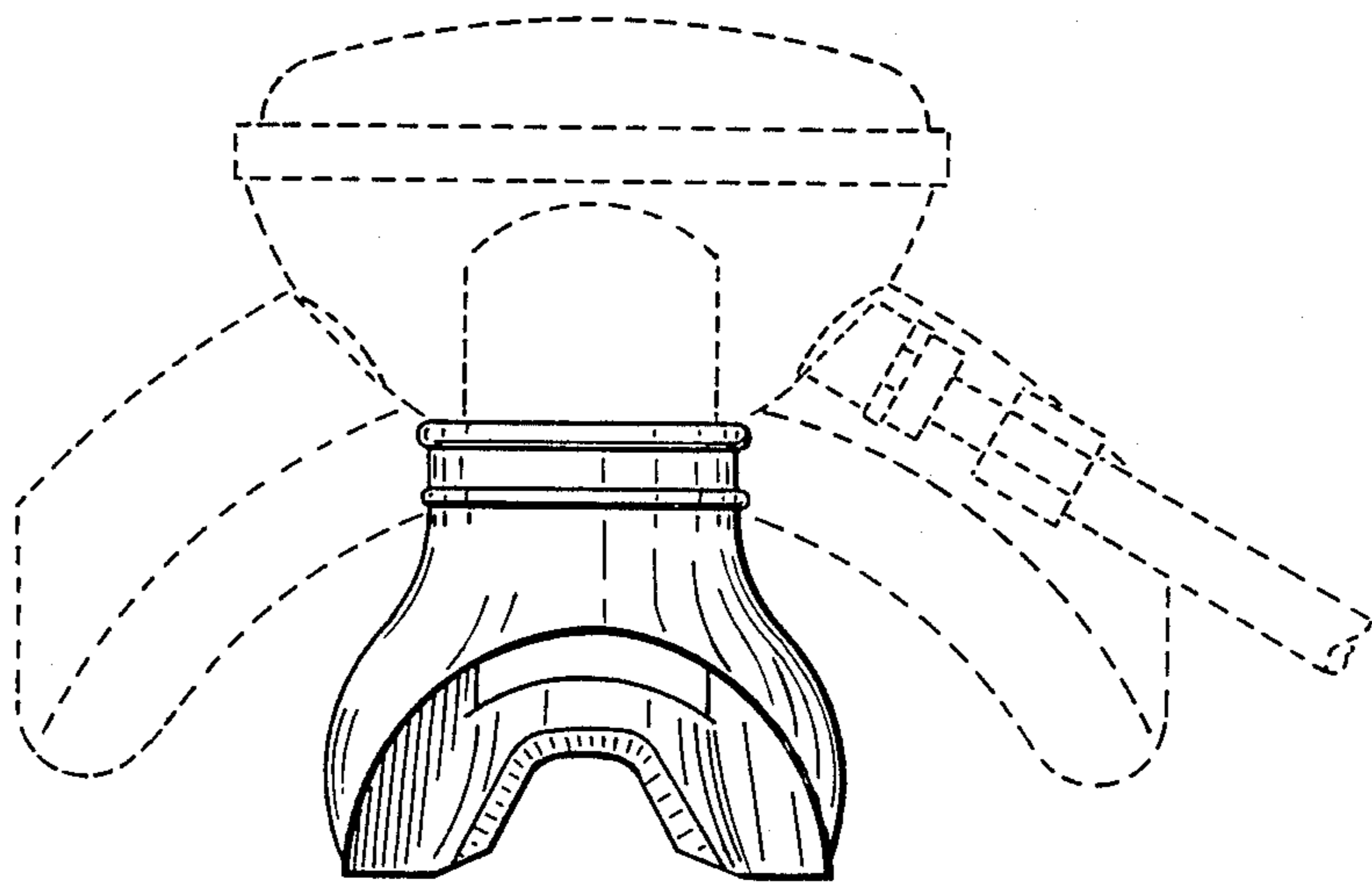


FIG. 7