

[54] **SELF-SERVICE BANKING TERMINAL**

[75] **Inventors: Dino M. Savio, Clearwater; Joseph F. Talerico, Boca Raton, both of Fla.**

[73] **Assignee: International Business Machines Corporation, Armonk, N.Y.**

[**] **Term: 14 Years**

[21] **Appl. No.: 879,239**

[22] **Filed: Jun. 26, 1986**

[52] **U.S. Cl. D99/28; D99/43; D99/99**

[58] **Field of Search D99/28, 43, 99; D14/100, 105, 102, 106, 115, 103; D20/1-6; 235/379, 380, 381; 109/24.1**

[56] **References Cited**

U.S. PATENT DOCUMENTS

- D. 198,084 4/1964 Eytel et al. D14/102
- D. 232,941 9/1974 Davis et al. D14/102 X
- D. 237,717 11/1975 Wiebe D14/102
- D. 277,856 3/1985 Lewellen D14/103

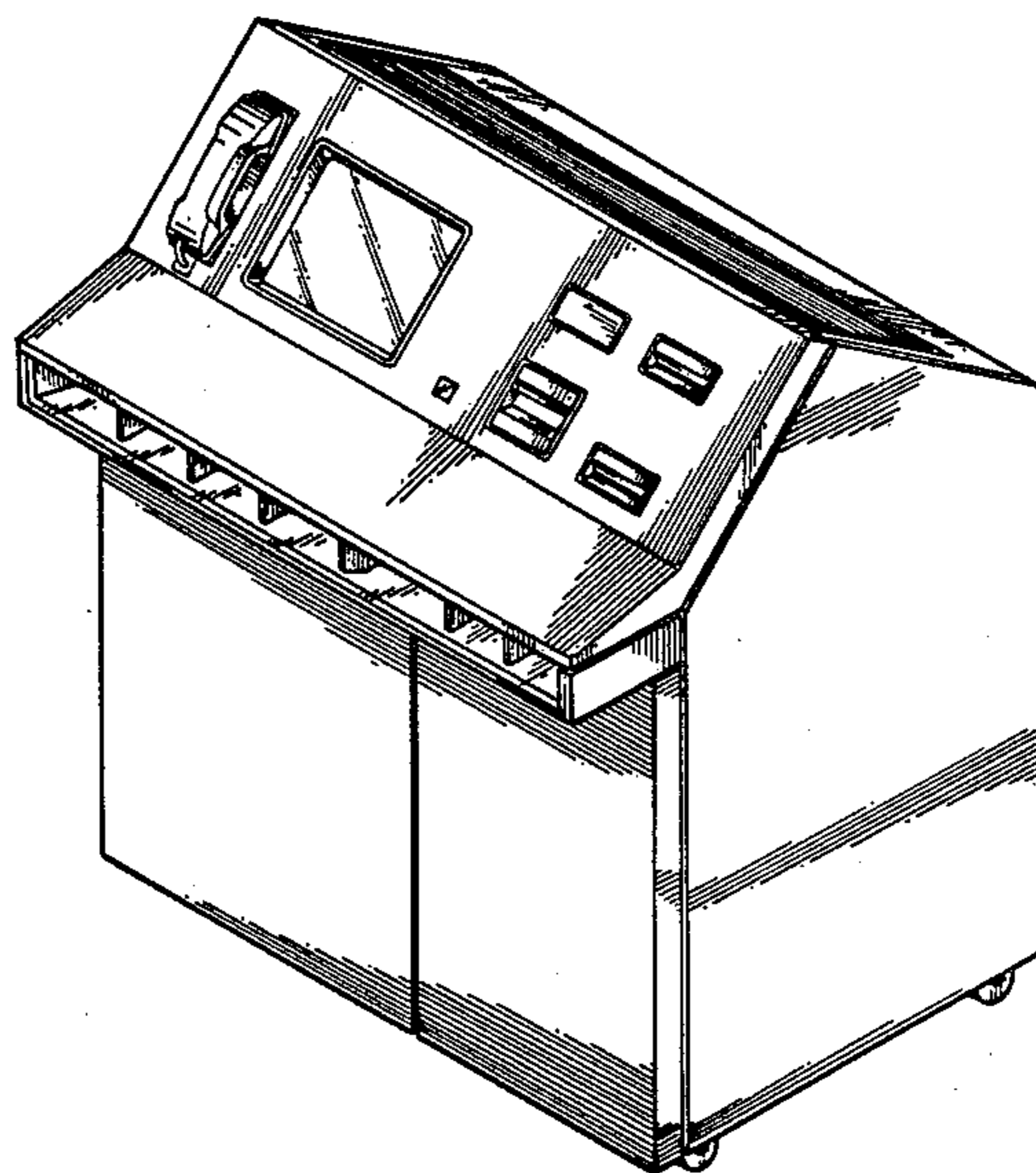
Primary Examiner—Winifred E. Herrmann
Assistant Examiner—John Warchol
Attorney, Agent, or Firm—Harold H. Sweeney, Jr.

[57] **CLAIM**

The ornamental design for a self-service banking terminal, as shown and described.

DESCRIPTION

FIG. 1 is a right, top, front perspective view of a self-service banking terminal showing our new design; FIG. 2 is a front elevational view thereof; FIG. 3 is a rear elevational view thereof; FIG. 4 is a right side elevational view thereof; FIG. 5 is a left side elevational view thereof; and FIG. 6 is a top plan view thereof.



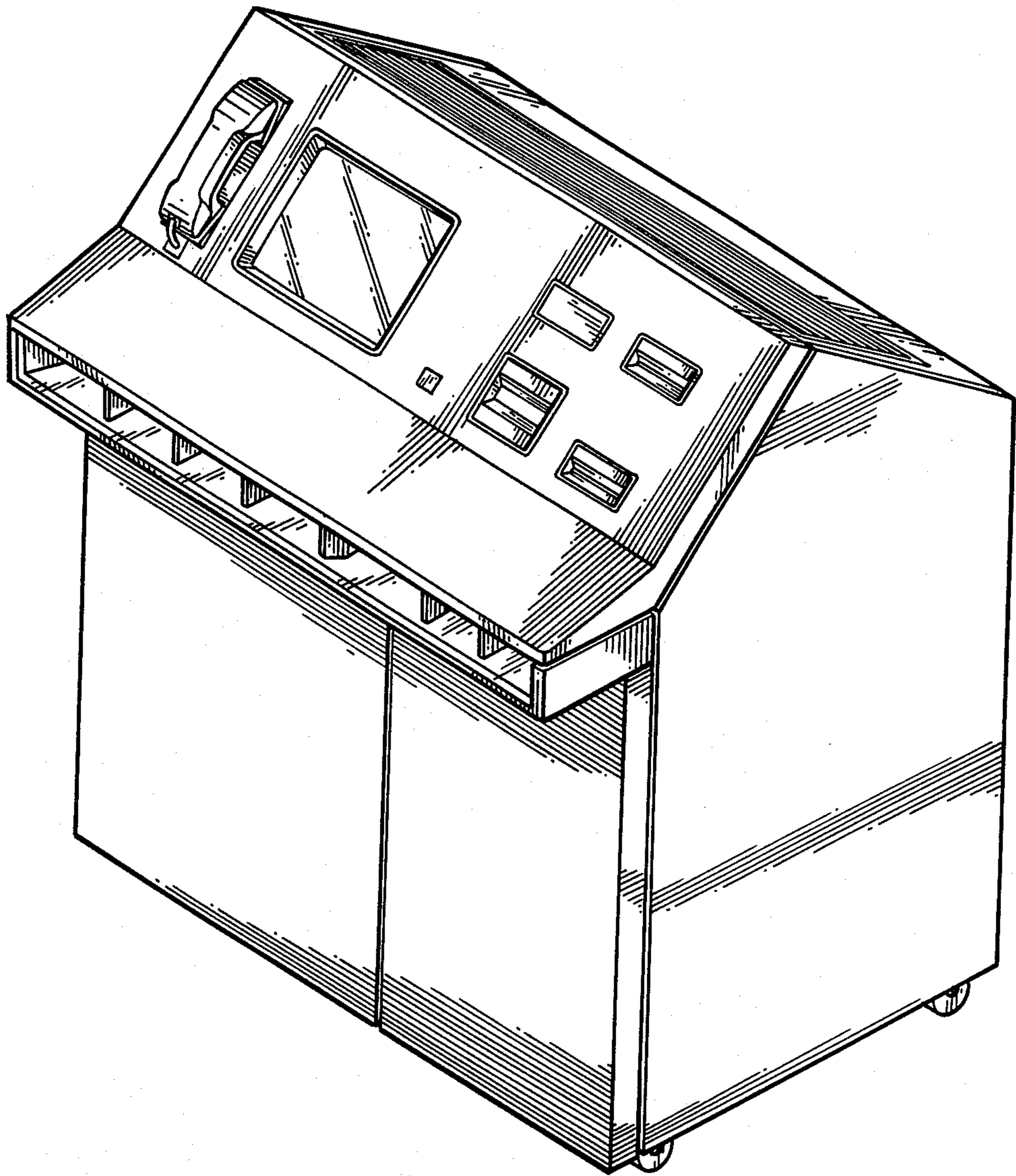


FIG. 1

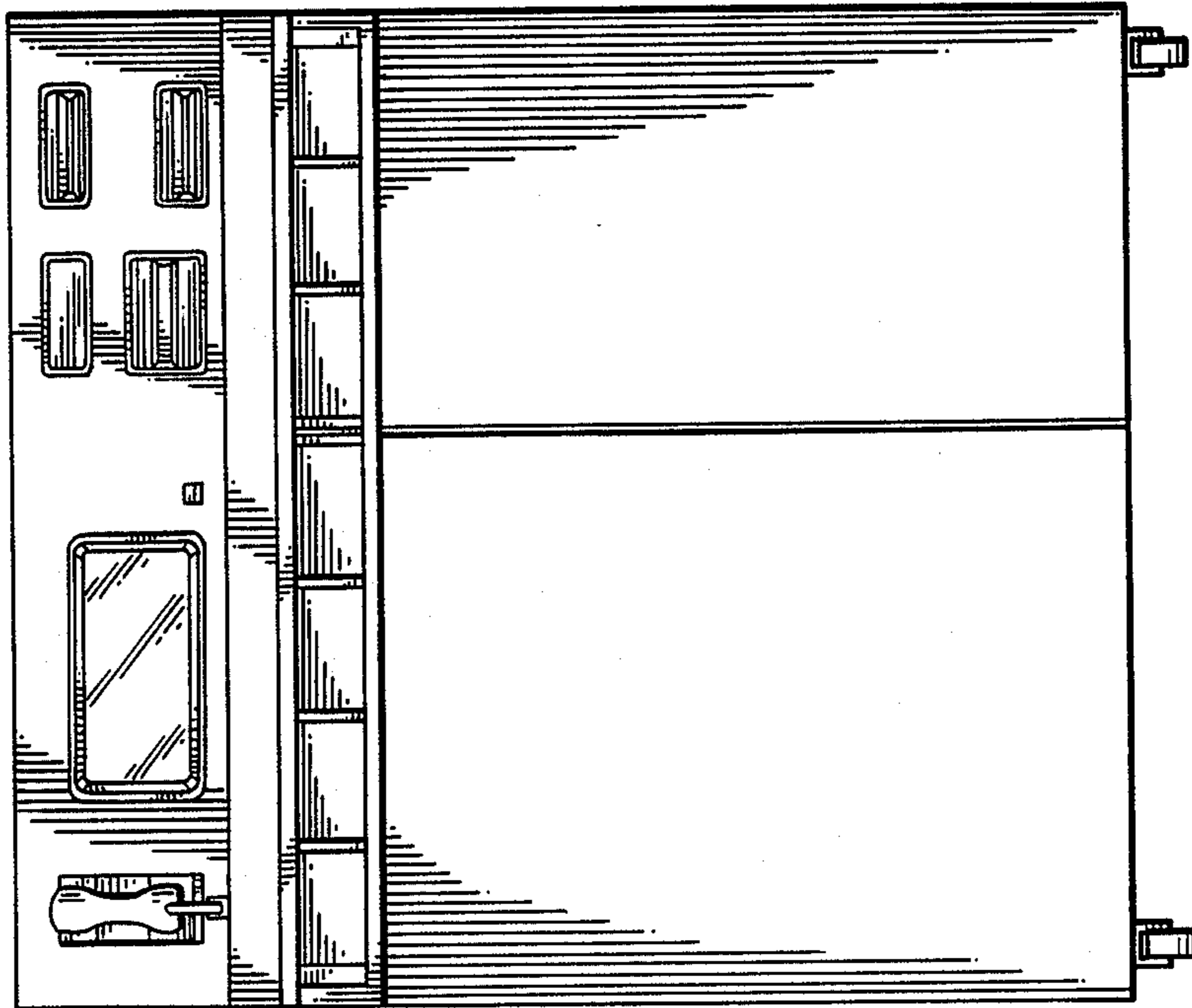


FIG. 2

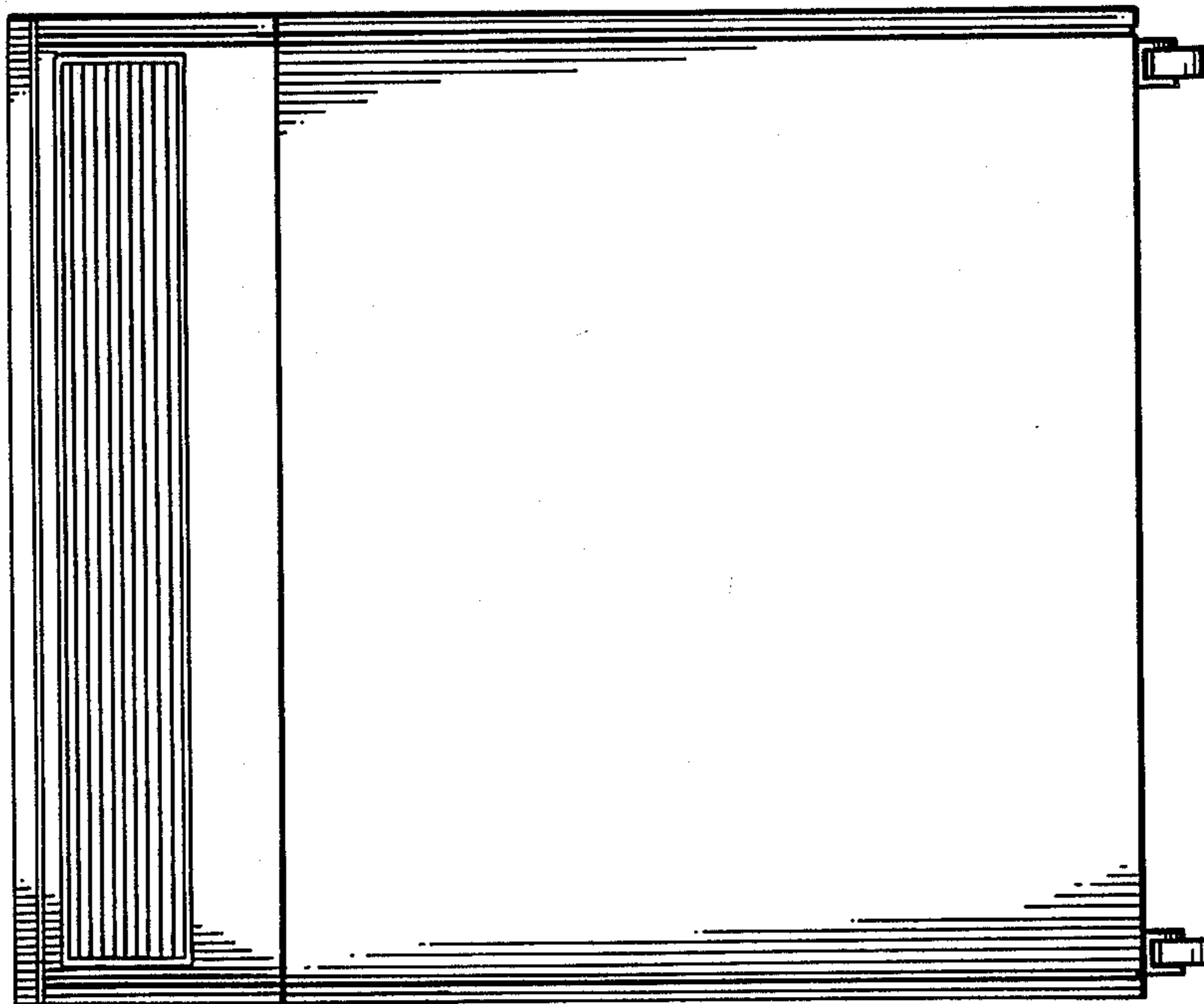


FIG. 3

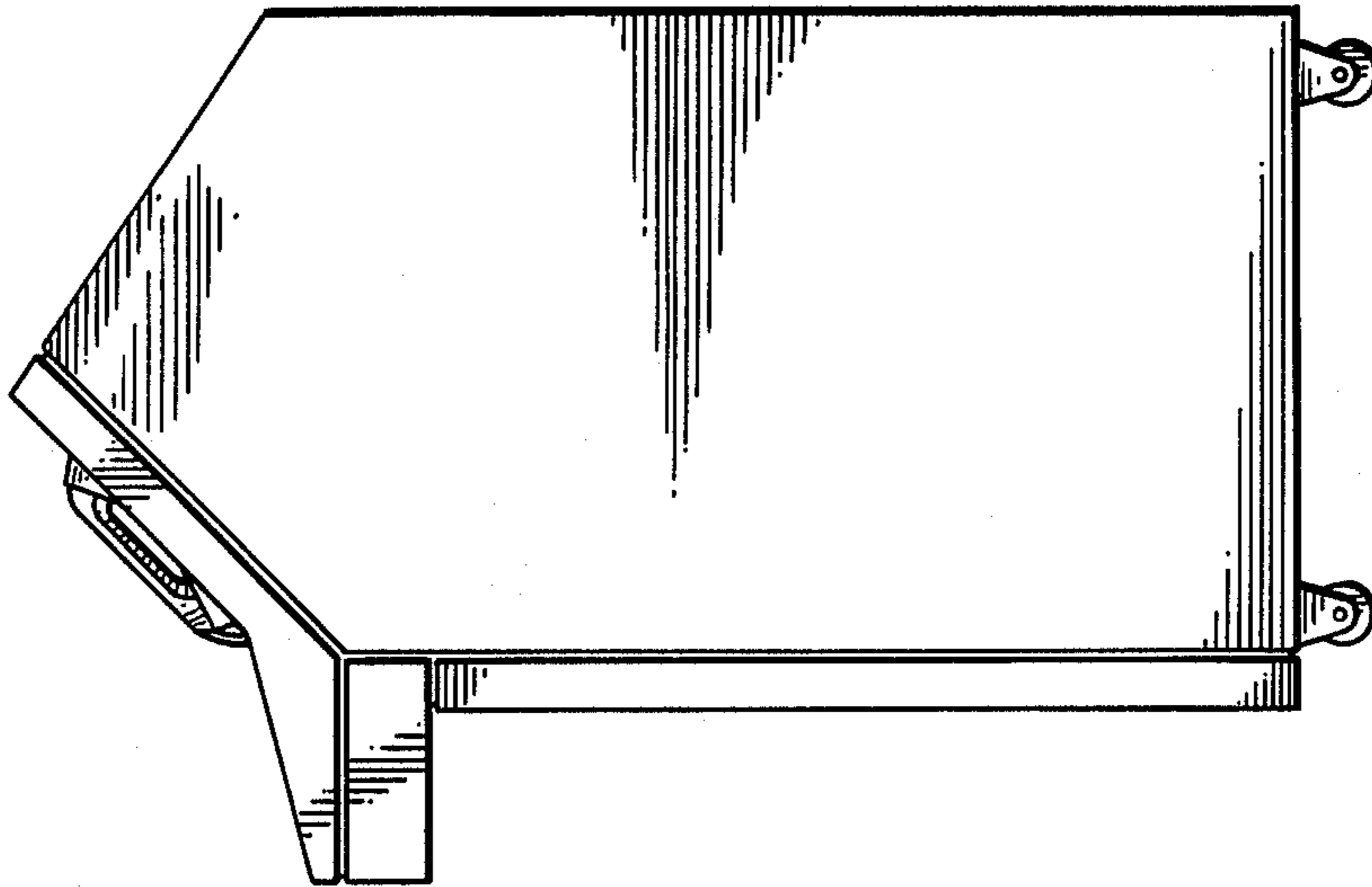


FIG. 4

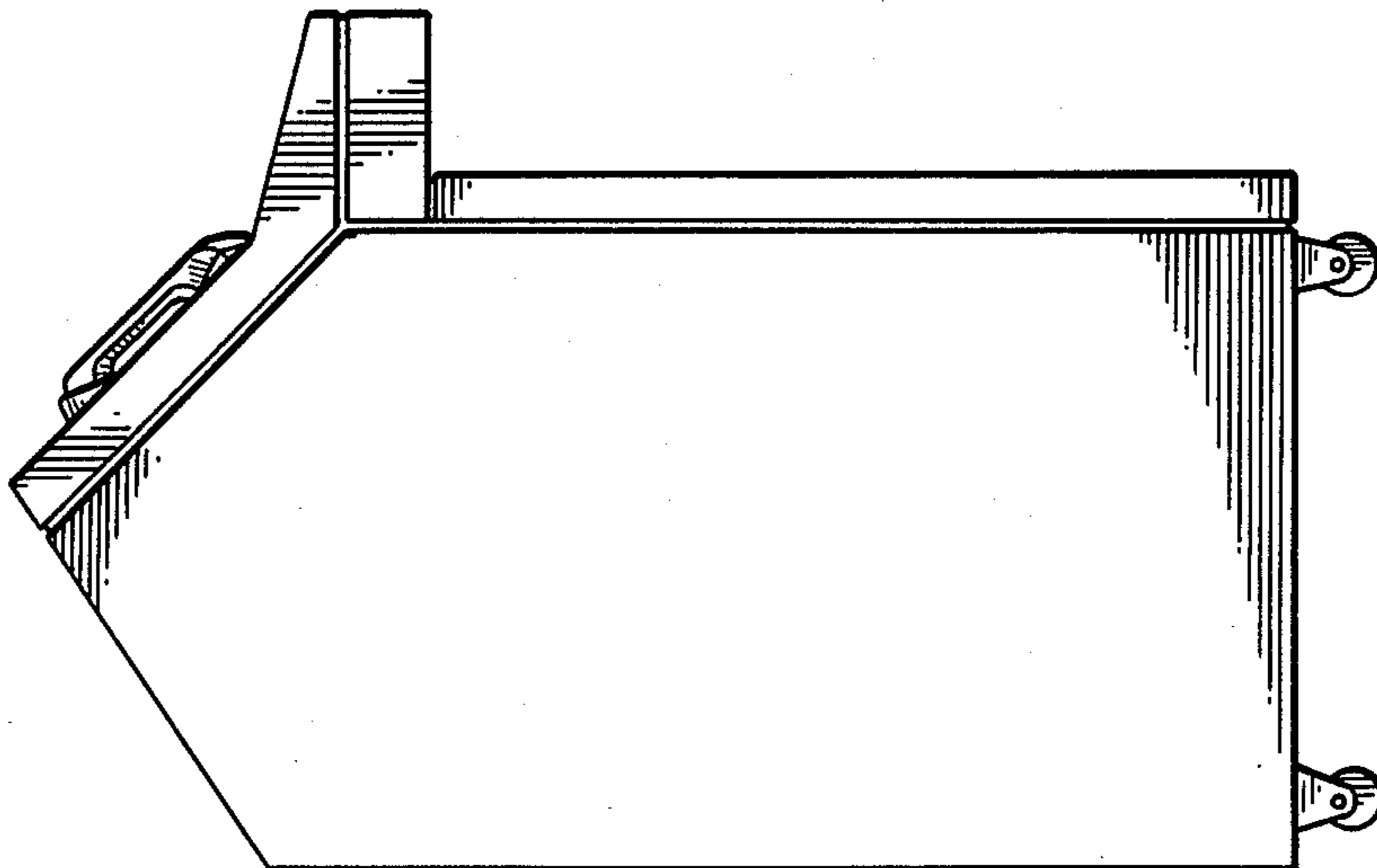


FIG. 5

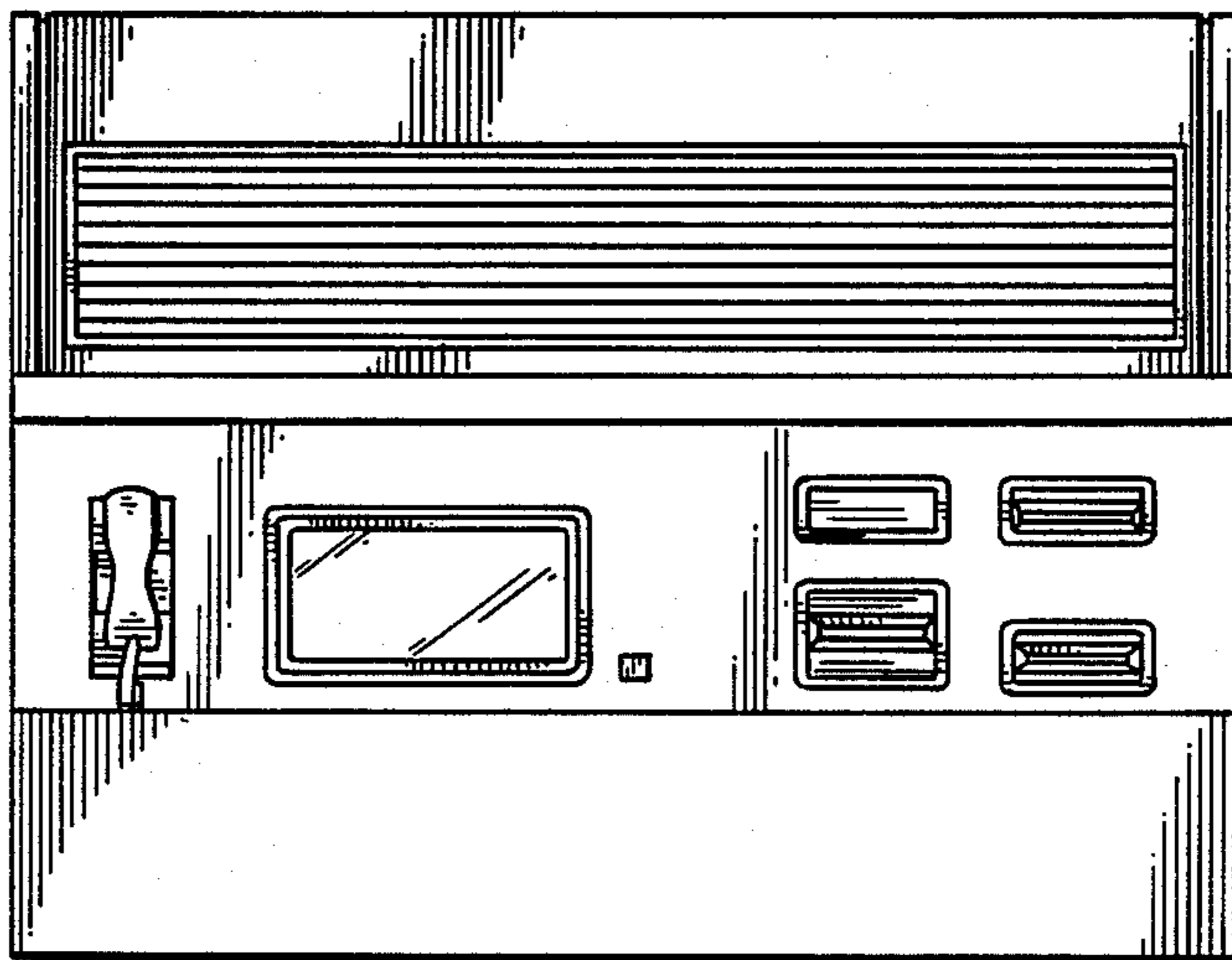


FIG. 6