

[54] LIGHTING FIXTURE

[75] Inventor: Jean C. Mason, Hollywood, Calif.

[73] Assignee: Casablanca Fan Company, Inc., City of Industry, Calif.

[**] Term: 14 Years

[21] Appl. No.: 17,795

[22] Filed: Feb. 24, 1987

[52] U.S. Cl. D26/86

[58] Field of Search D26/72, 80-92; 362/362, 147, 404-408, 432, 351, 360

[56] References Cited

U.S. PATENT DOCUMENTS

- D. 212,708 11/1968 Mayer et al. D26/86
- 1,806,852 5/1931 Hamlyn 362/360

FOREIGN PATENT DOCUMENTS

119496 3/1958 U.S.S.R. 362/408

OTHER PUBLICATIONS

Dakota "L'Image" Lighting catalog, ©1985, front cover, Hanging Lamp. Design, 7-1984, p. 23, "Astaire" Pendant Lamp.

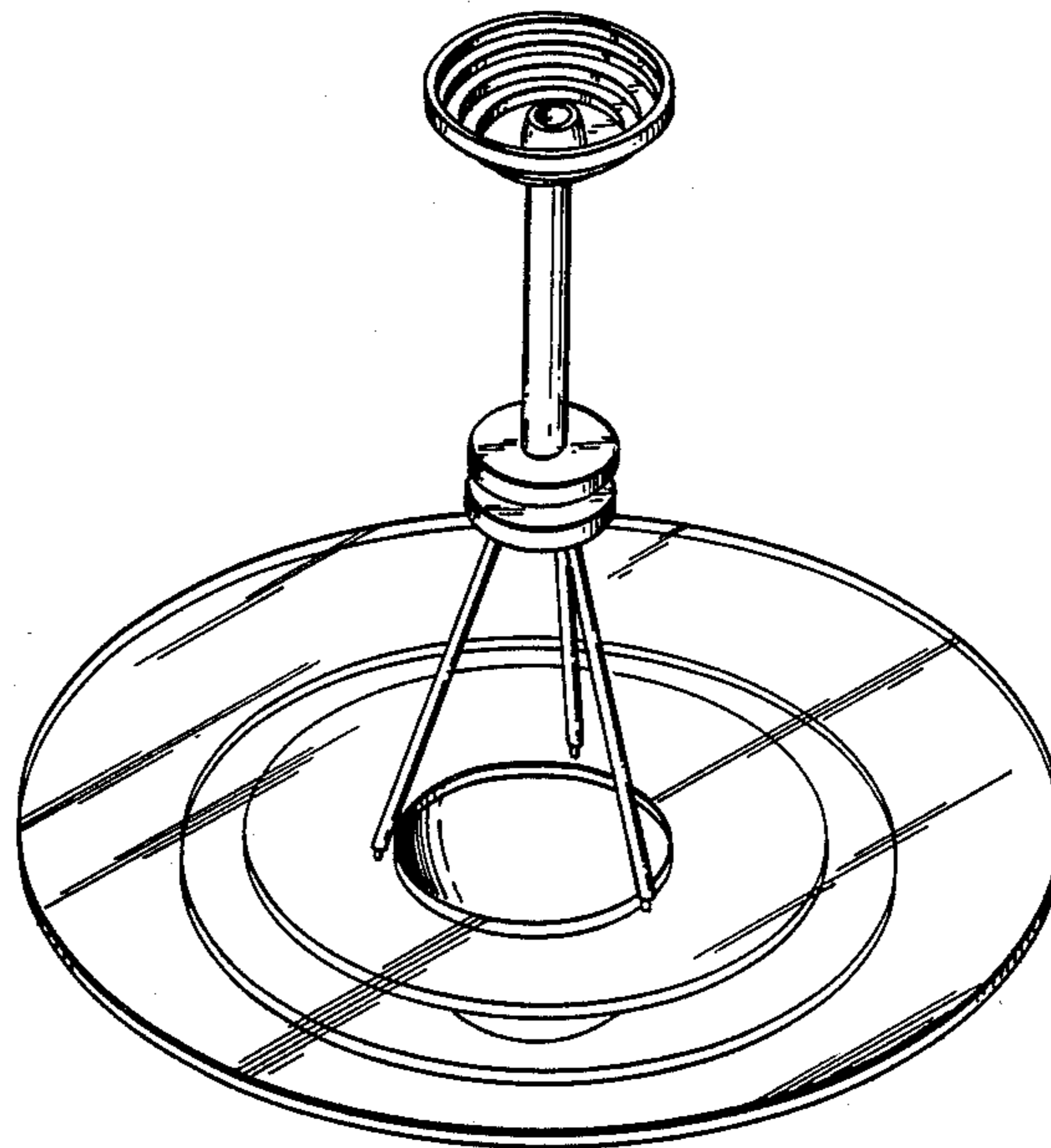
Primary Examiner—Susan J. Lucas
Attorney, Agent, or Firm—Charles H. Schwartz; Ellsworth R. Roston

[57] CLAIM

The ornamental design for a lighting fixture, as shown and described.

DESCRIPTION

FIG. 1 is a top perspective view of a lighting fixture showing my new design;
FIG. 2 is a front elevational view thereof, the rear and sides being identical; and
FIG. 3 is a bottom plan view thereof.



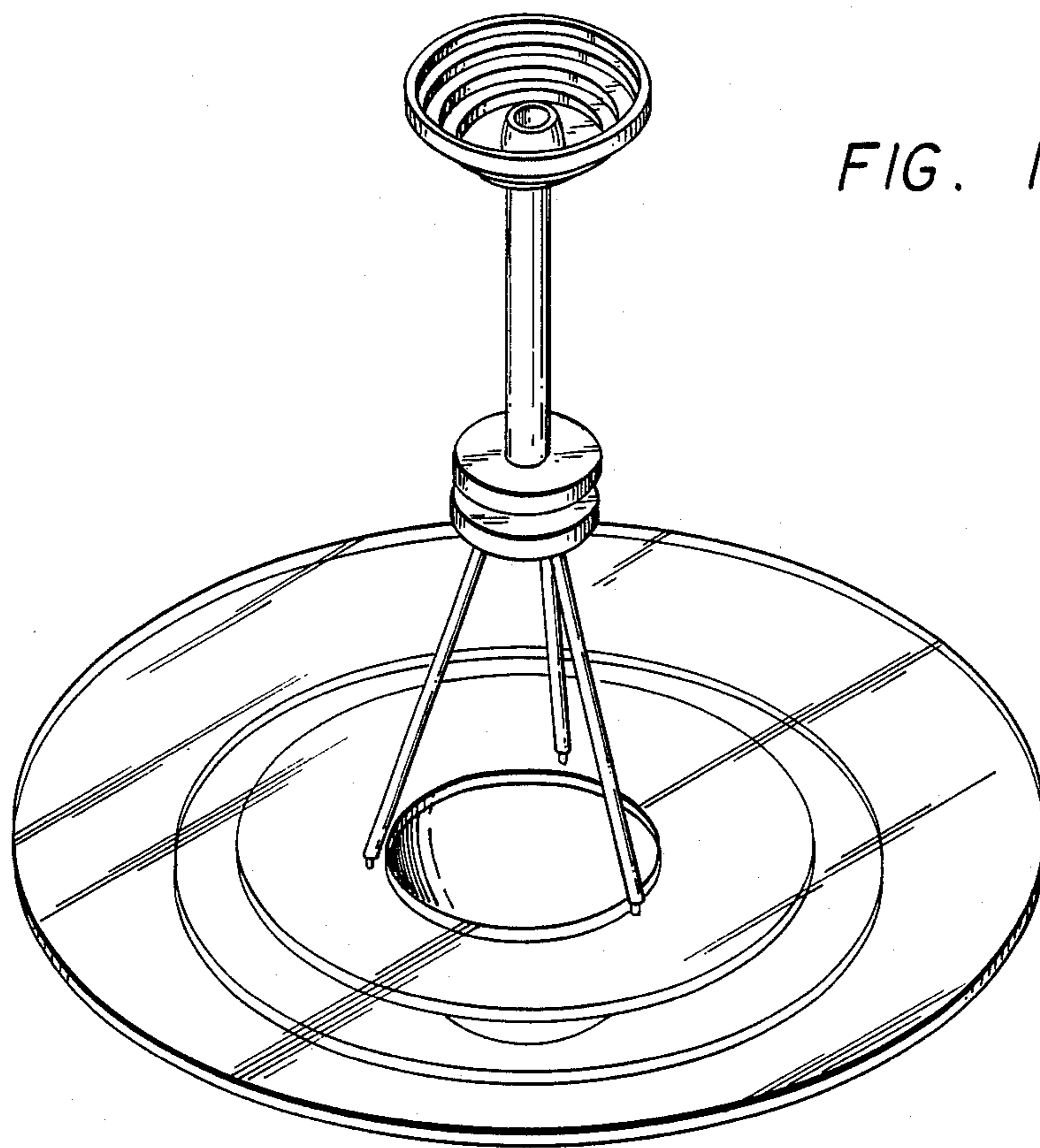


FIG. 1

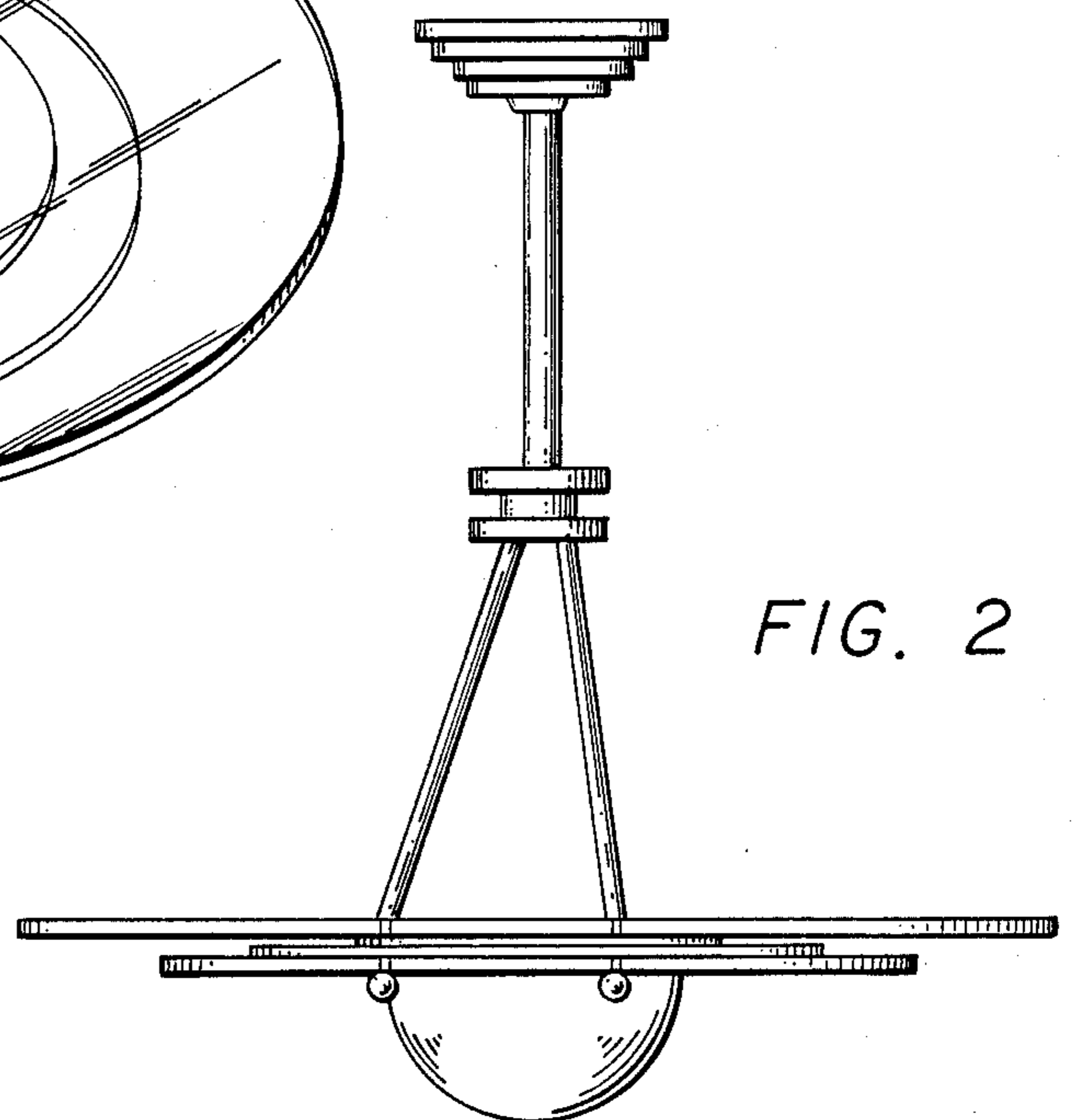


FIG. 2

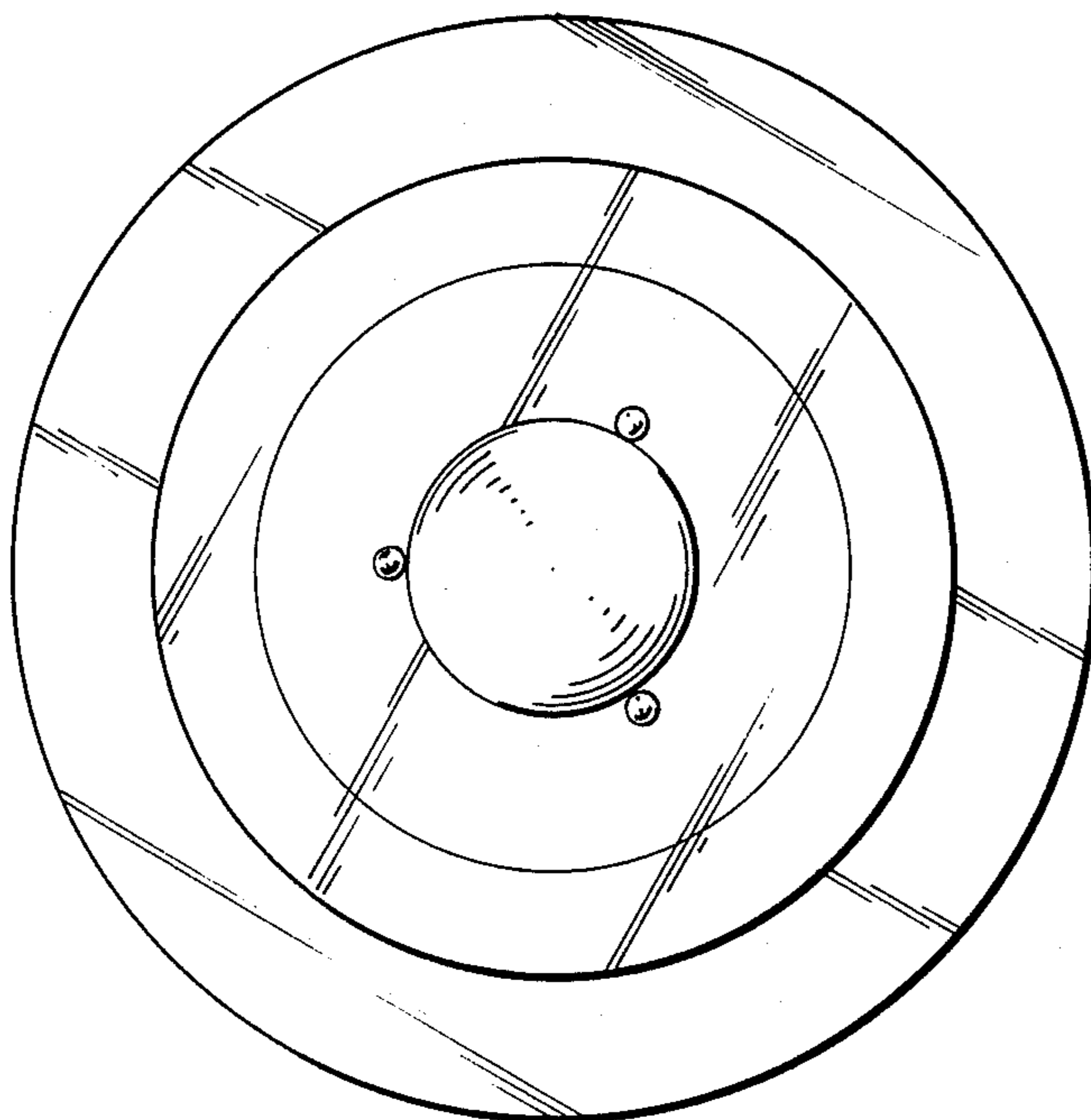


FIG. 3