

[54] SLIDING HEADLIGHT

[76] Inventor: Francois Bailly, Haras Lesseirille,
95510 Aincourt, France

[**] Term: 14 Years

[21] Appl. No.: 883,839

[22] Filed: Jul. 9, 1986

[30] Foreign Application Priority Data

Jan. 31, 1986 [FR] France 86 0478
[52] U.S. Cl. D26/29
[58] Field of Search D26/28-36;
362/61, 66, 72, 80-83, 267, 269, 275, 285, 427,
362

[56] References Cited

U.S. PATENT DOCUMENTS

D. 289,086 3/1987 Yabata D26/29
D. 291,252 8/1987 Ichikawa D26/29
4,509,106 4/1985 Mayer et al. 362/267

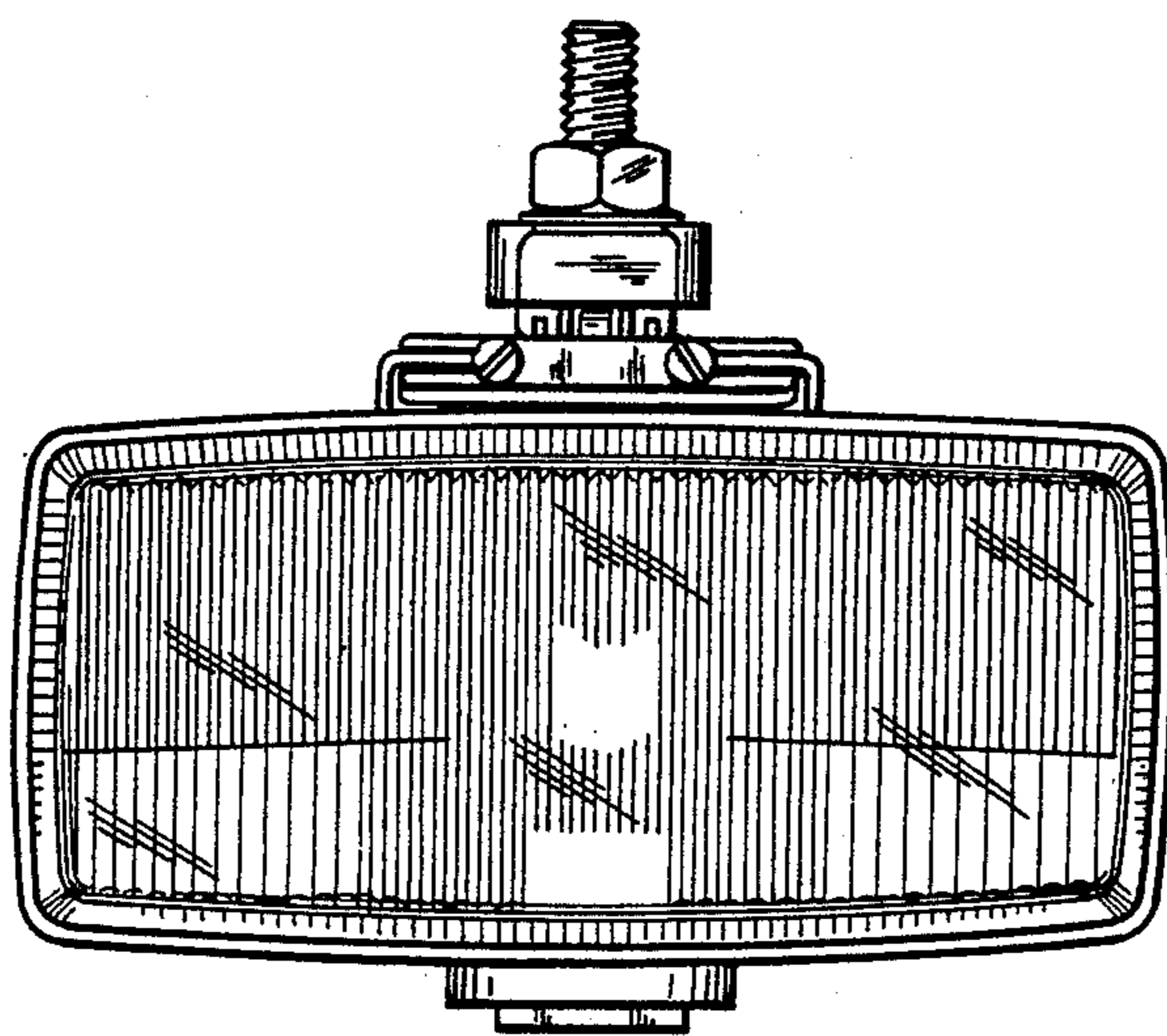
Primary Examiner—Susan J. Lucas
Attorney, Agent, or Firm—Fiddler & Levine

[57] CLAIM

The ornamental design for a sliding headlight, as shown and described.

DESCRIPTION

FIG. 1 is a front elevational view of a sliding headlight showing my new design;
FIG. 2 is a rear elevational view thereof;
FIG. 3 is a right side elevational view thereof;
FIG. 4 is a left side elevational view thereof;
FIG. 5 is a top plan view thereof;
FIG. 6 is a bottom plan view thereof; and
FIG. 7 is a perspective view thereof.



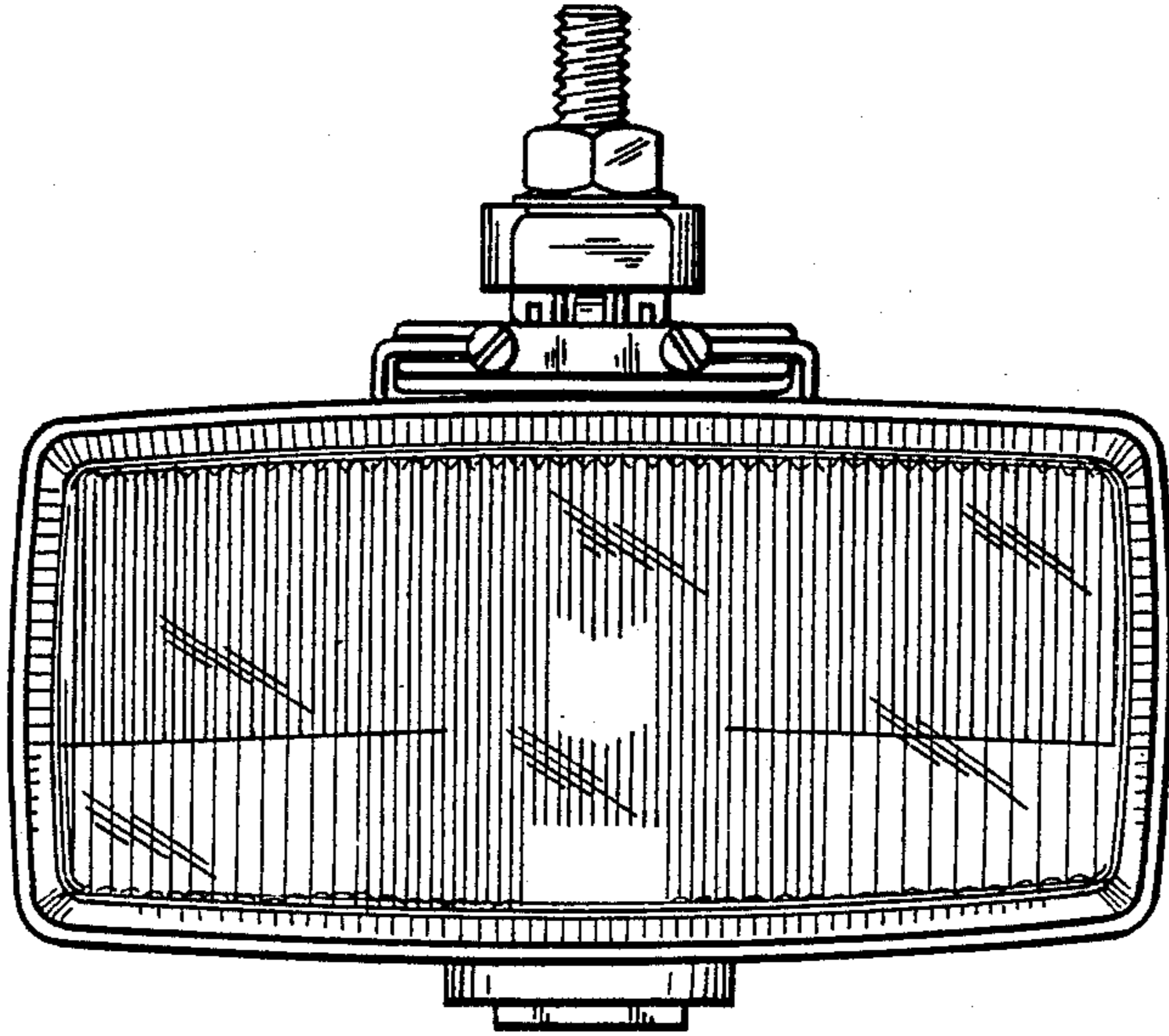


FIG. 1

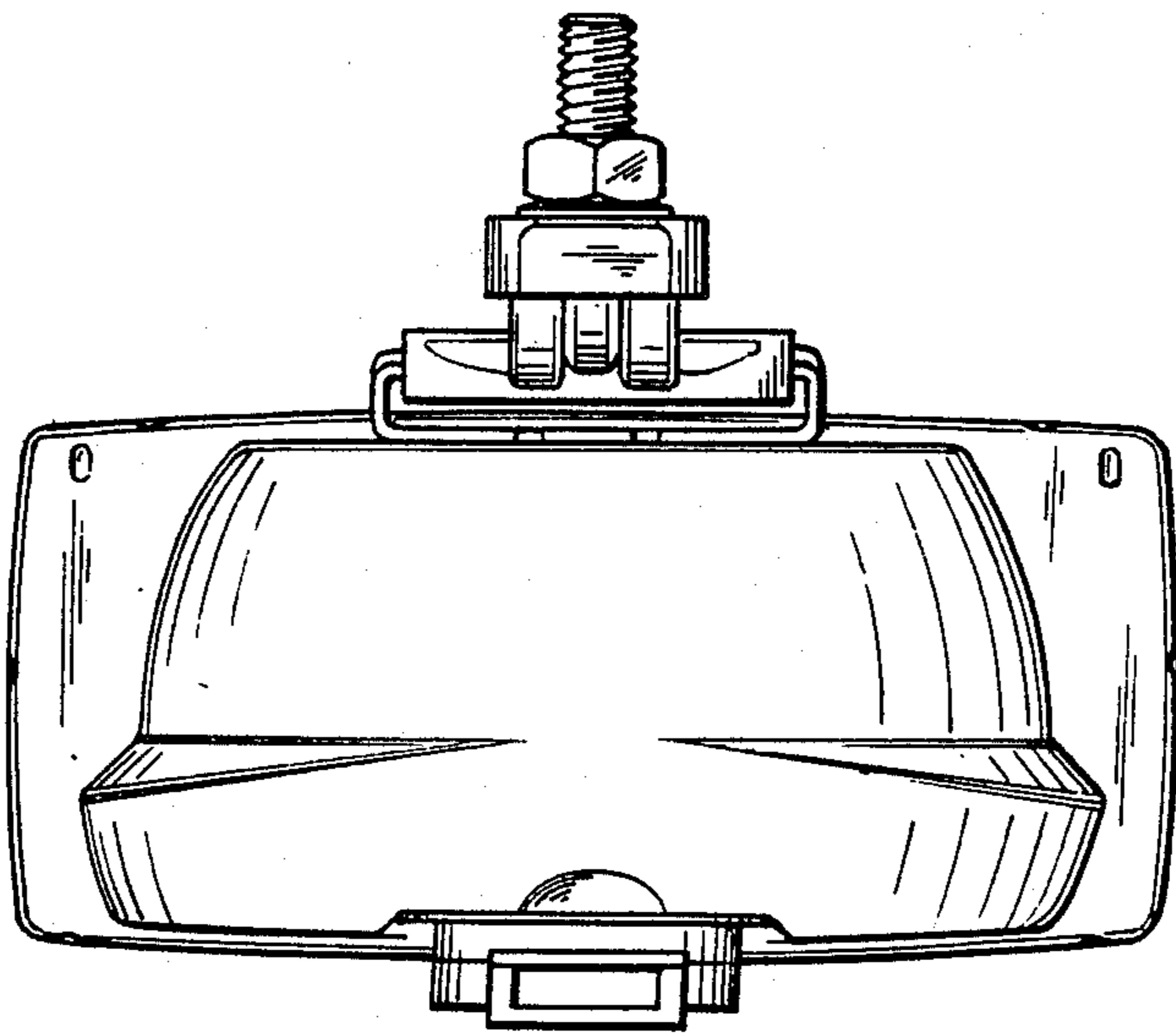


FIG. 2

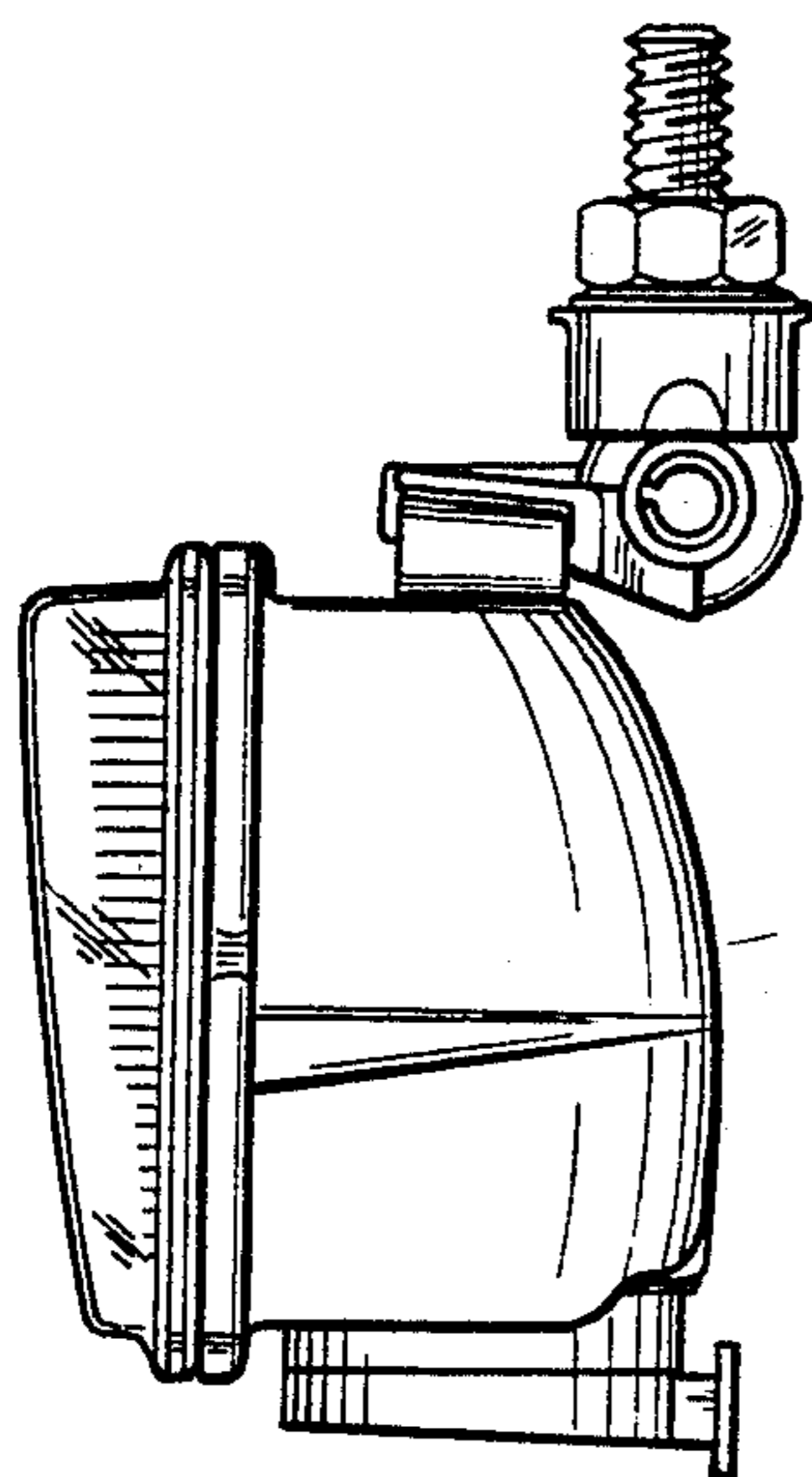


FIG. 3

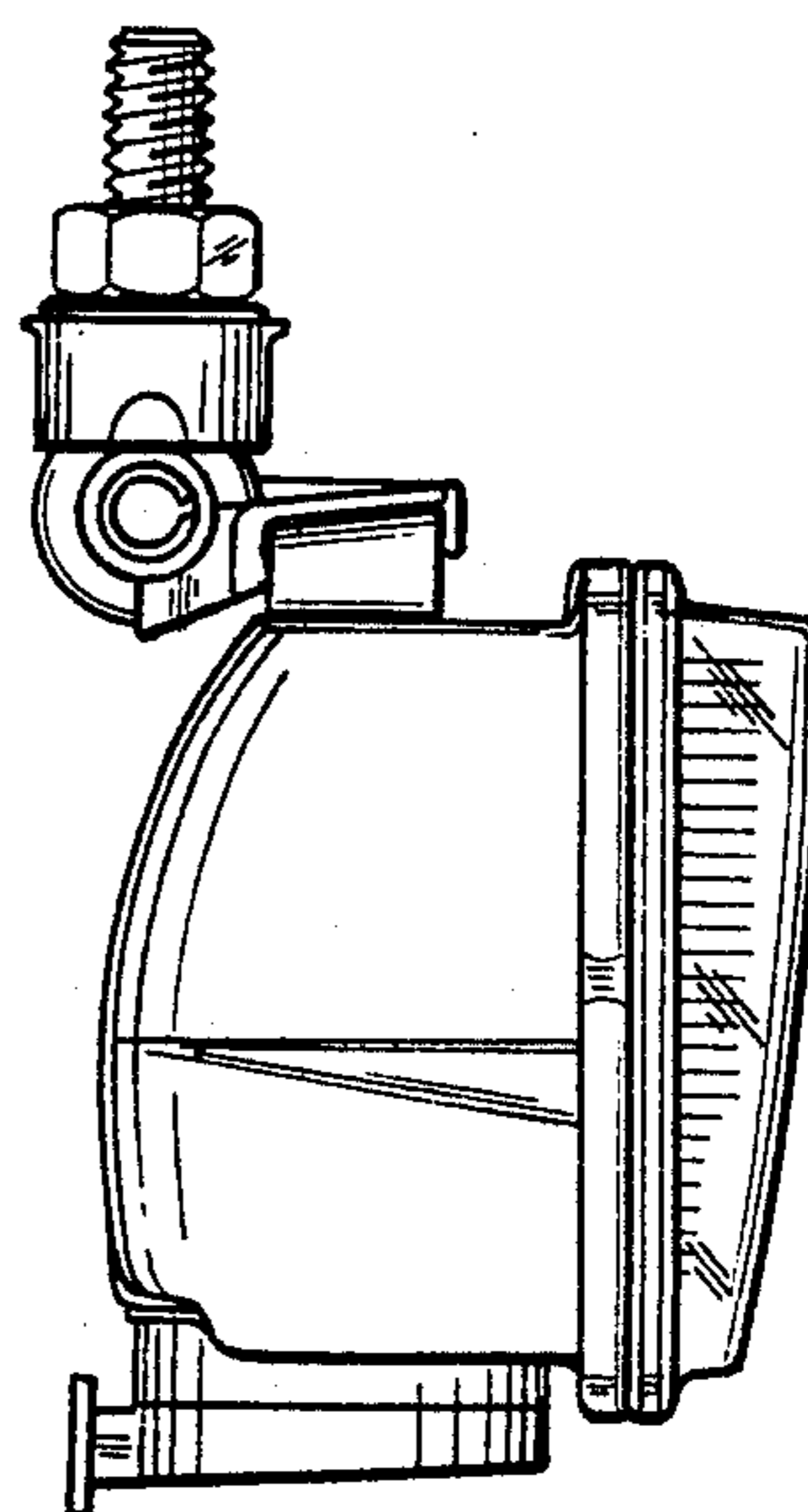


FIG. 4

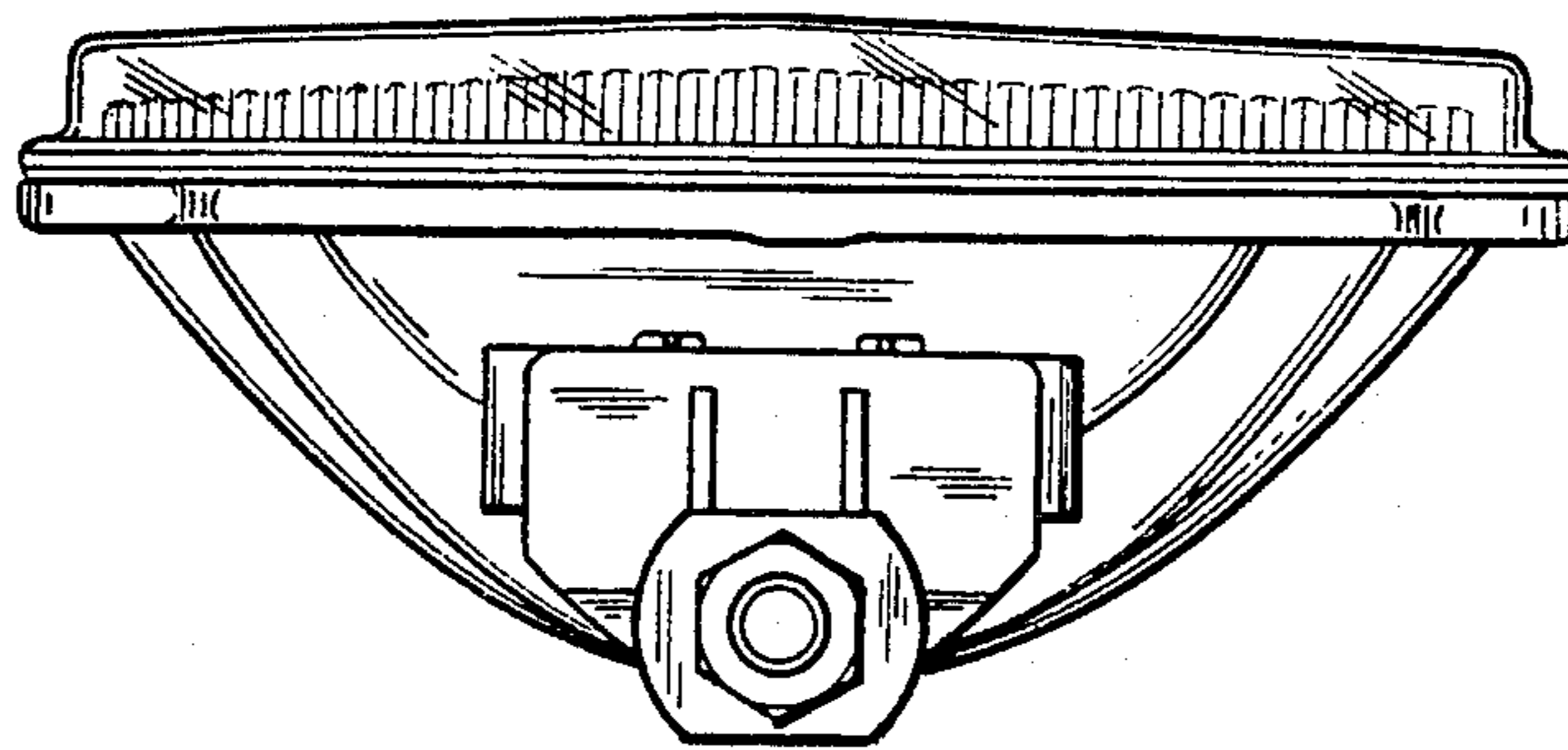


FIG. 5

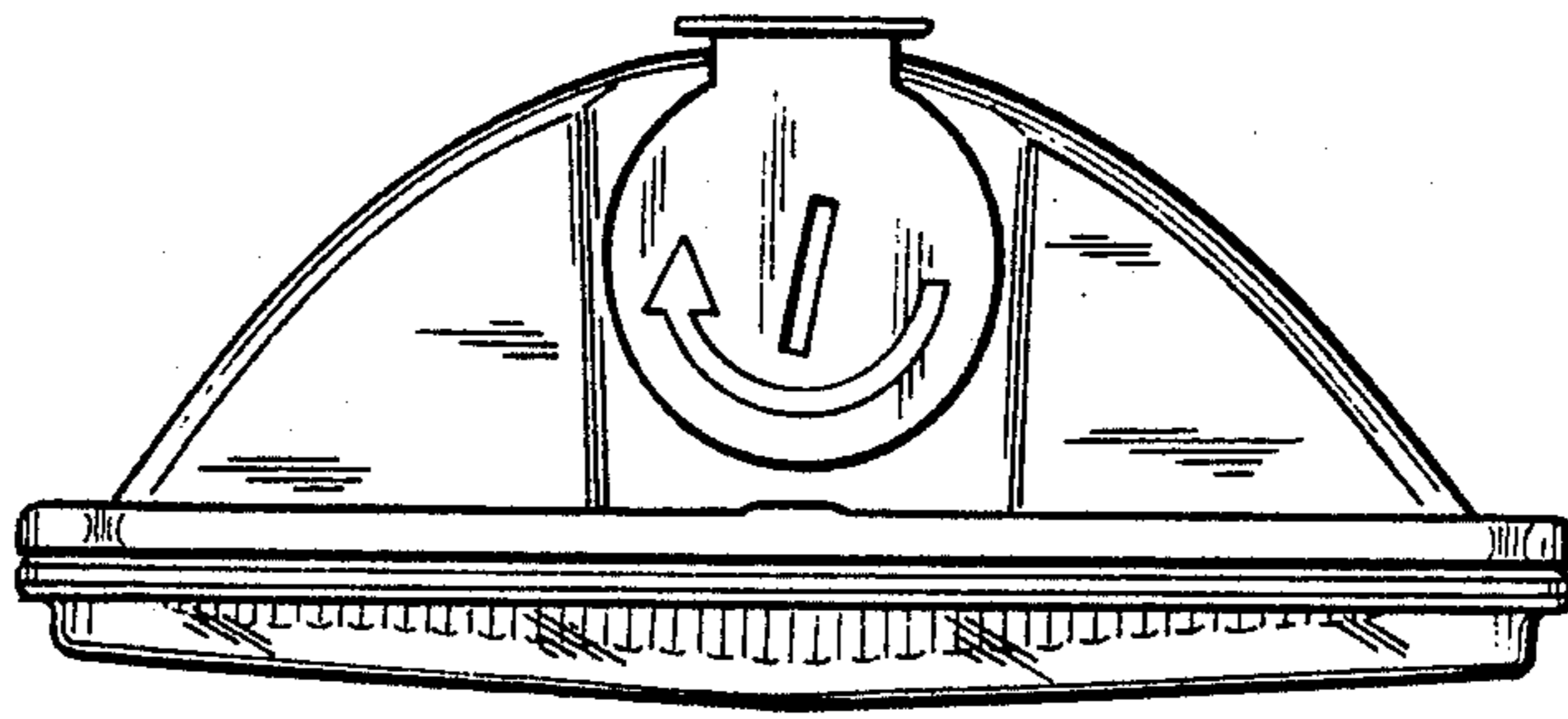


FIG. 6

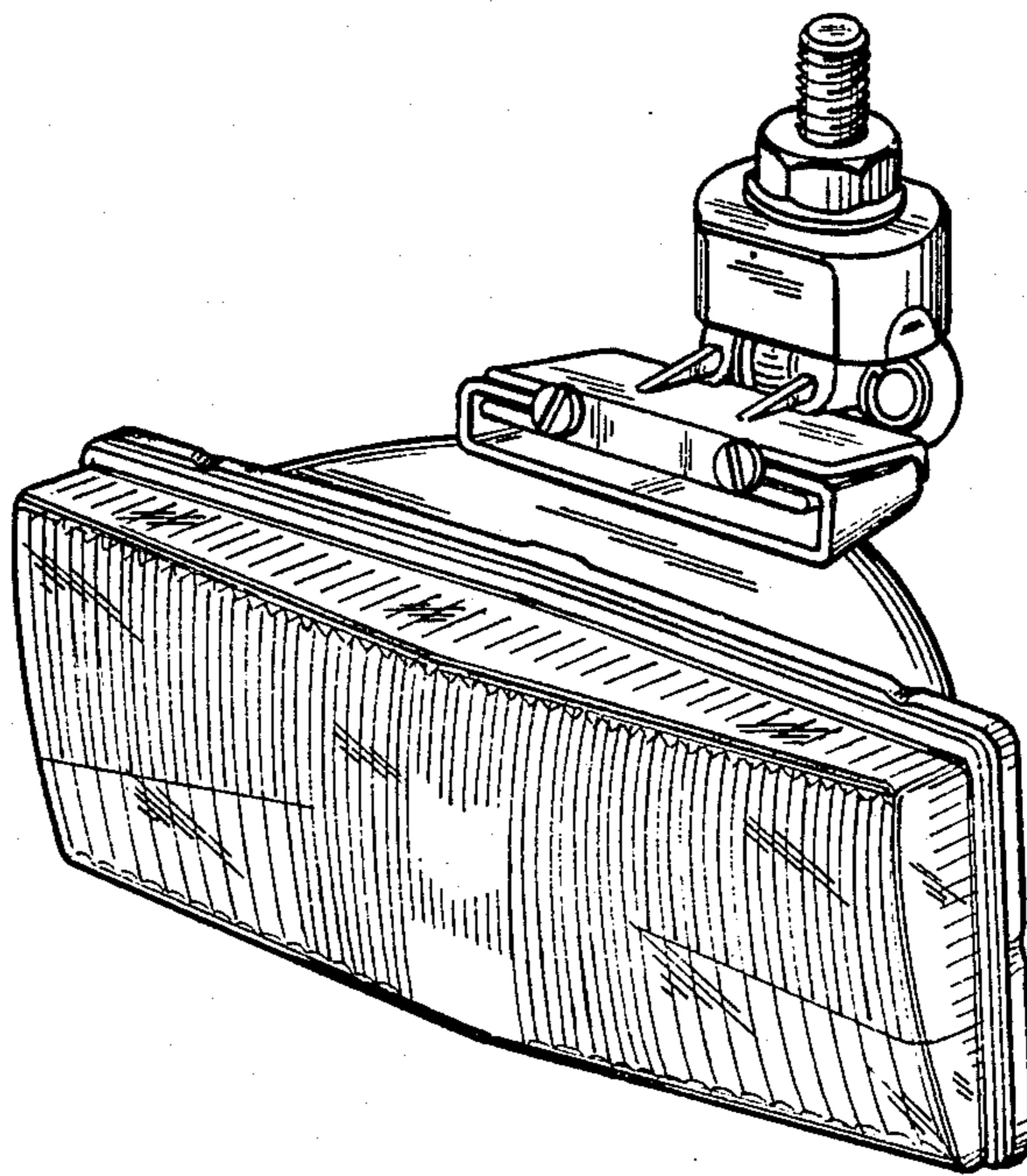


FIG. 7