

[54] CULTURE DISH

[75] Inventors: Masaru Wada; Atsushi Shimizu, both of Tokyo, Japan

[73] Assignee: Terumo Kabushiki Kaisha, Tokyo, Japan

[\*\*] Term: 14 Years

[21] Appl. No.: 15,875

[22] Filed: Feb. 18, 1987

[30] Foreign Application Priority Data

Aug. 20, 1986 [JP] Japan ..... 61-32088

[52] U.S. Cl. .... D24/29; D24/8

[58] Field of Search ..... D24/8, 17, 29; 435/297, 435/298; 422/102; 206/557

[56] References Cited

U.S. PATENT DOCUMENTS

D. 272,185	1/1984	Schlesinger	.....	D24/29
D. 295,319	4/1988	Franchere et al.	.....	D24/17 X
2,694,033	11/1954	Fletcher	.....	435/297 X
3,165,450	1/1965	Scheidt	.....	D24/31 X
3,677,904	7/1972	Fitzgerald	.....	435/297 X
3,776,818	12/1973	Khan	.....	435/297 X
4,668,633	5/1987	Walton	.....	435/298

FOREIGN PATENT DOCUMENTS

58-63382	4/1983	Japan	.
59-106289	6/1984	Japan	.
59-196084	11/1984	Japan	.
59-196085	11/1984	Japan	.

Primary Examiner—Wallace R. Burke  
Assistant Examiner—Stella M. Reid  
Attorney, Agent, or Firm—Frishauf, Holtz, Goodman & Woodward

[57] CLAIM

The ornamental design for a culture dish, as shown and described.

DESCRIPTION

FIG. 1 is a top perspective view of a culture dish, showing our new design;  
FIG. 2 is a bottom perspective view thereof;  
FIG. 3 is a top plan view thereof;  
FIG. 4 is a bottom plan view thereof;  
FIG. 5 is a front elevational view thereof, the rear view being identical;  
FIG. 6 is a left side elevational view thereof, the right side being identical;  
FIG. 7 is a cross sectional view thereof taken along the line VII—VII in FIG. 3.

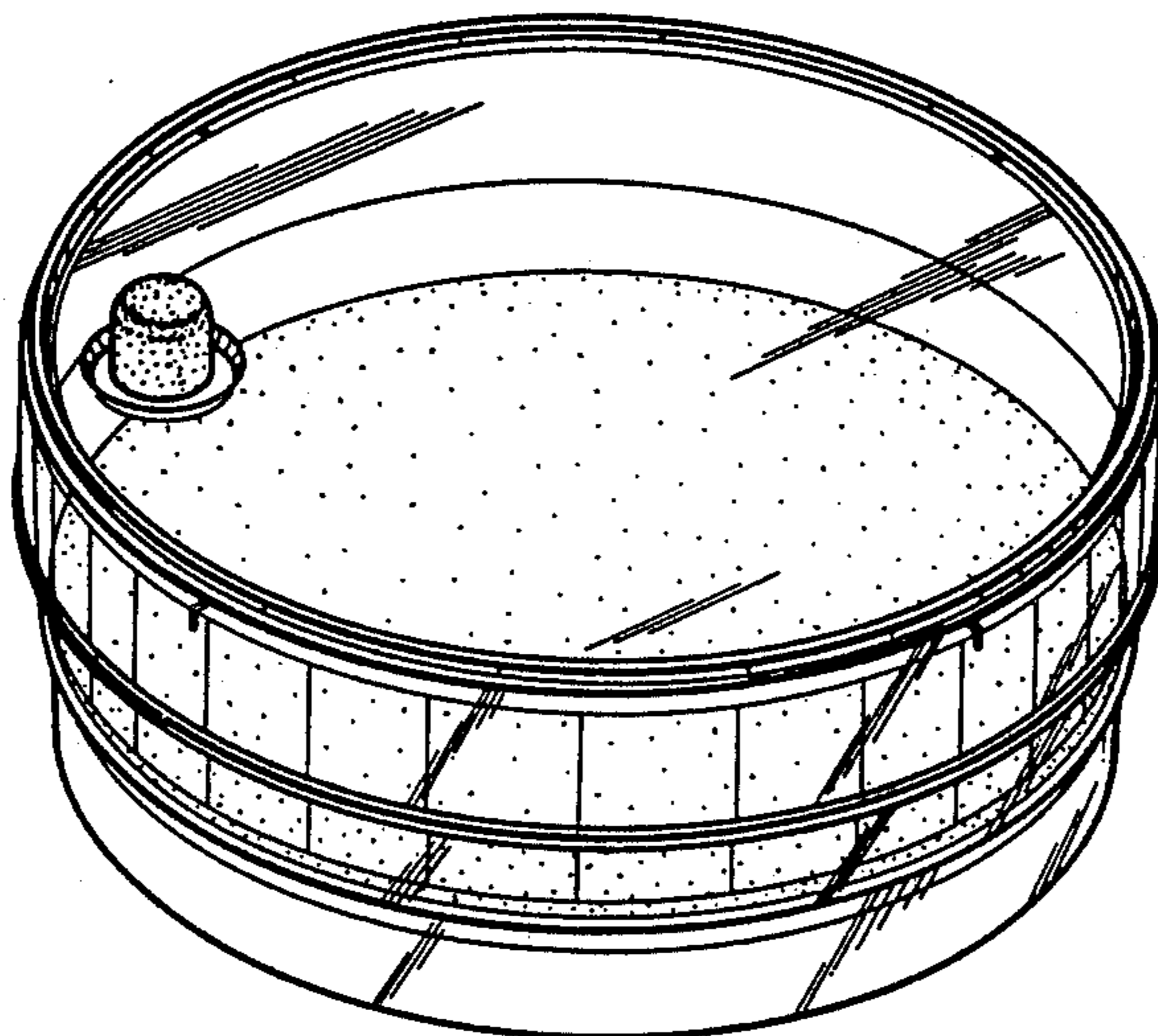


FIG. 1

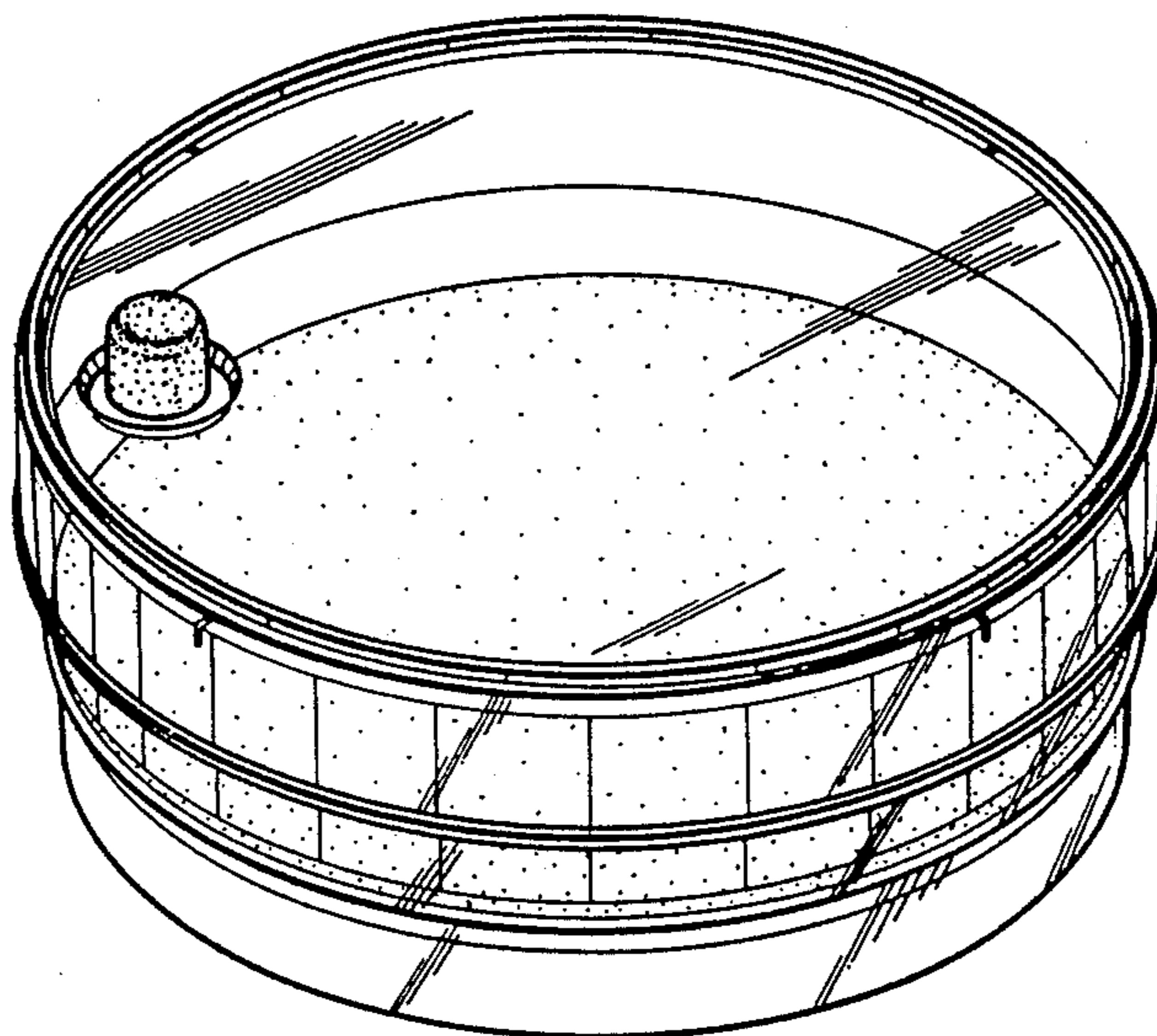


FIG. 2

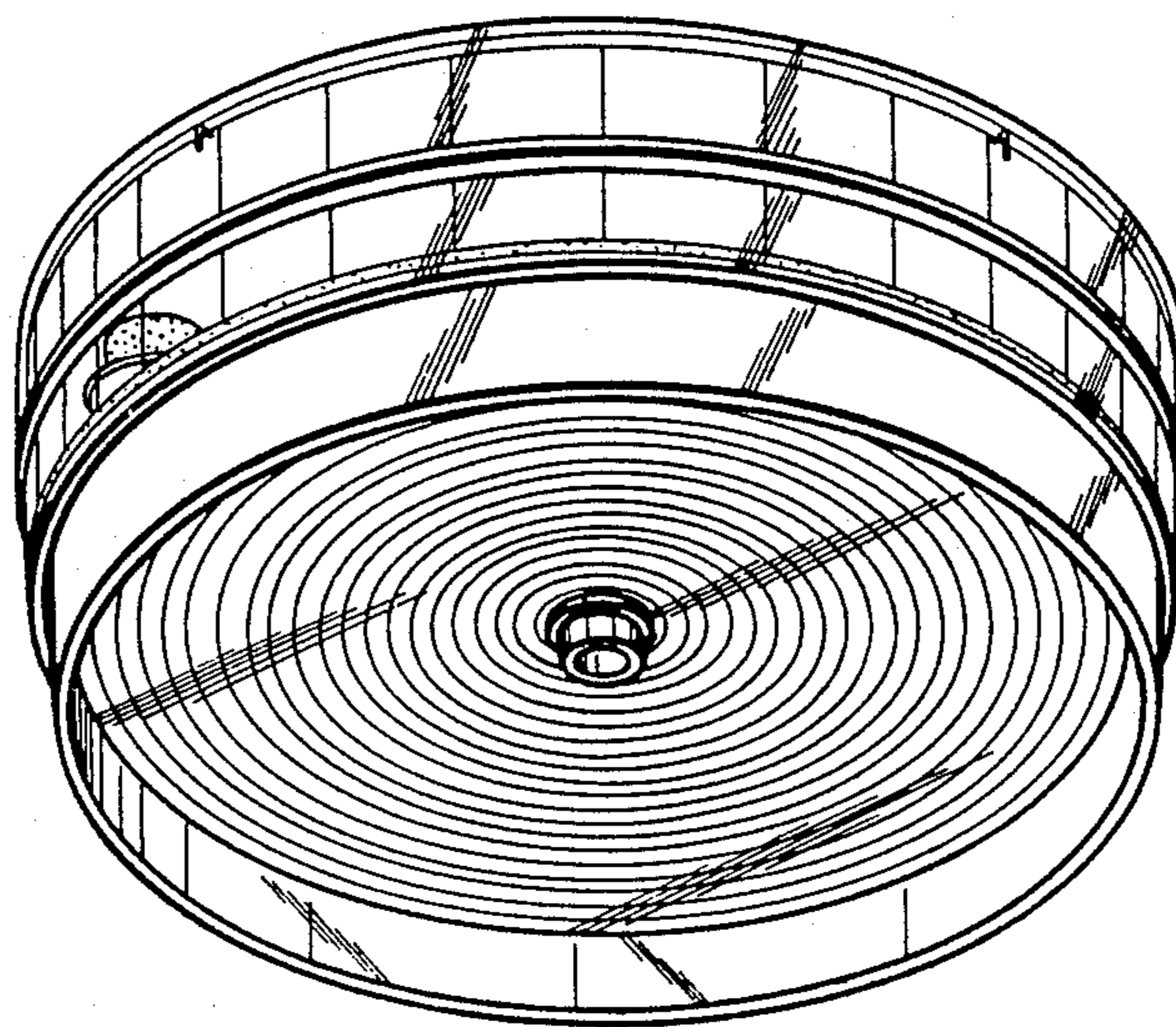


FIG.3

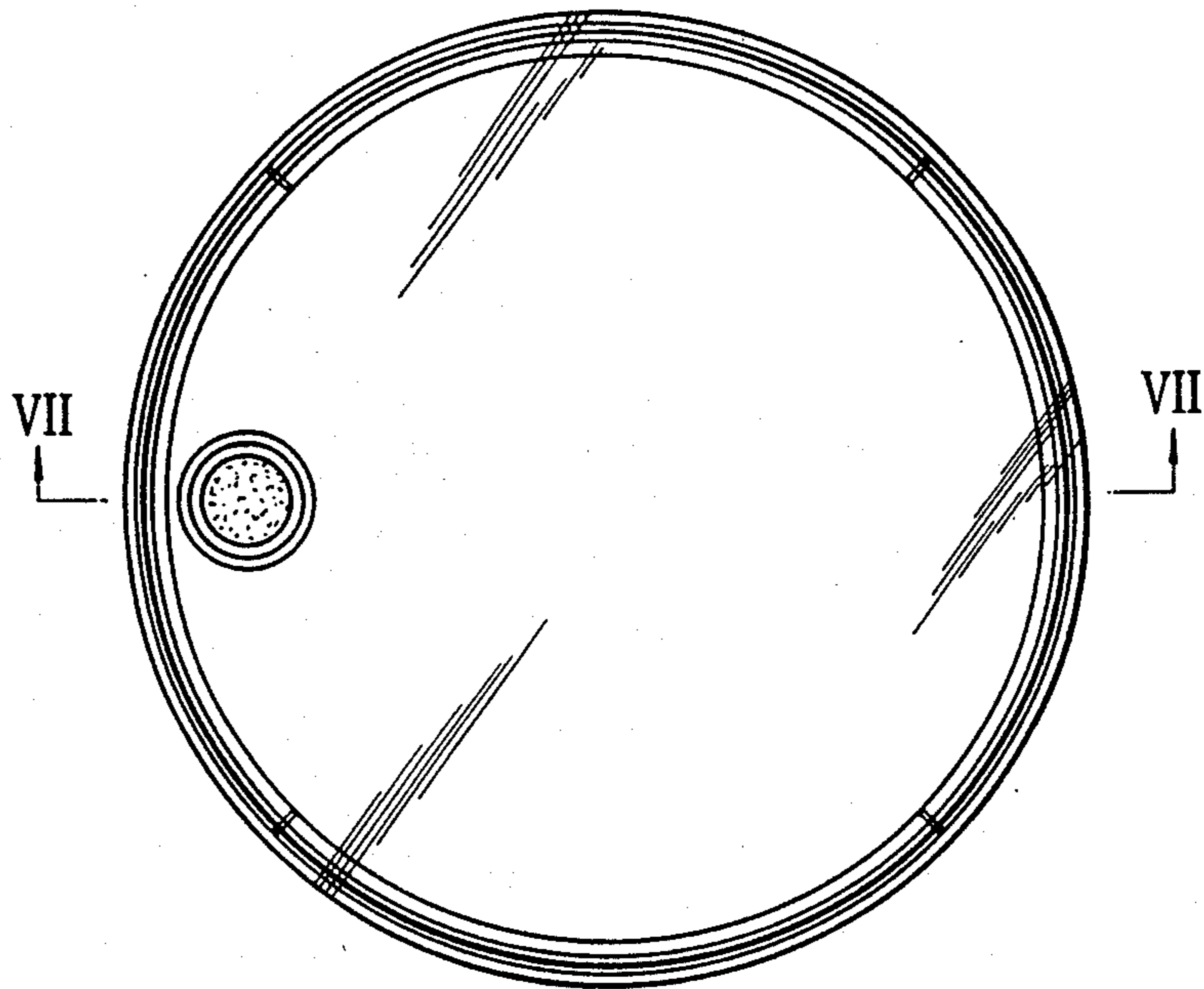


FIG.4

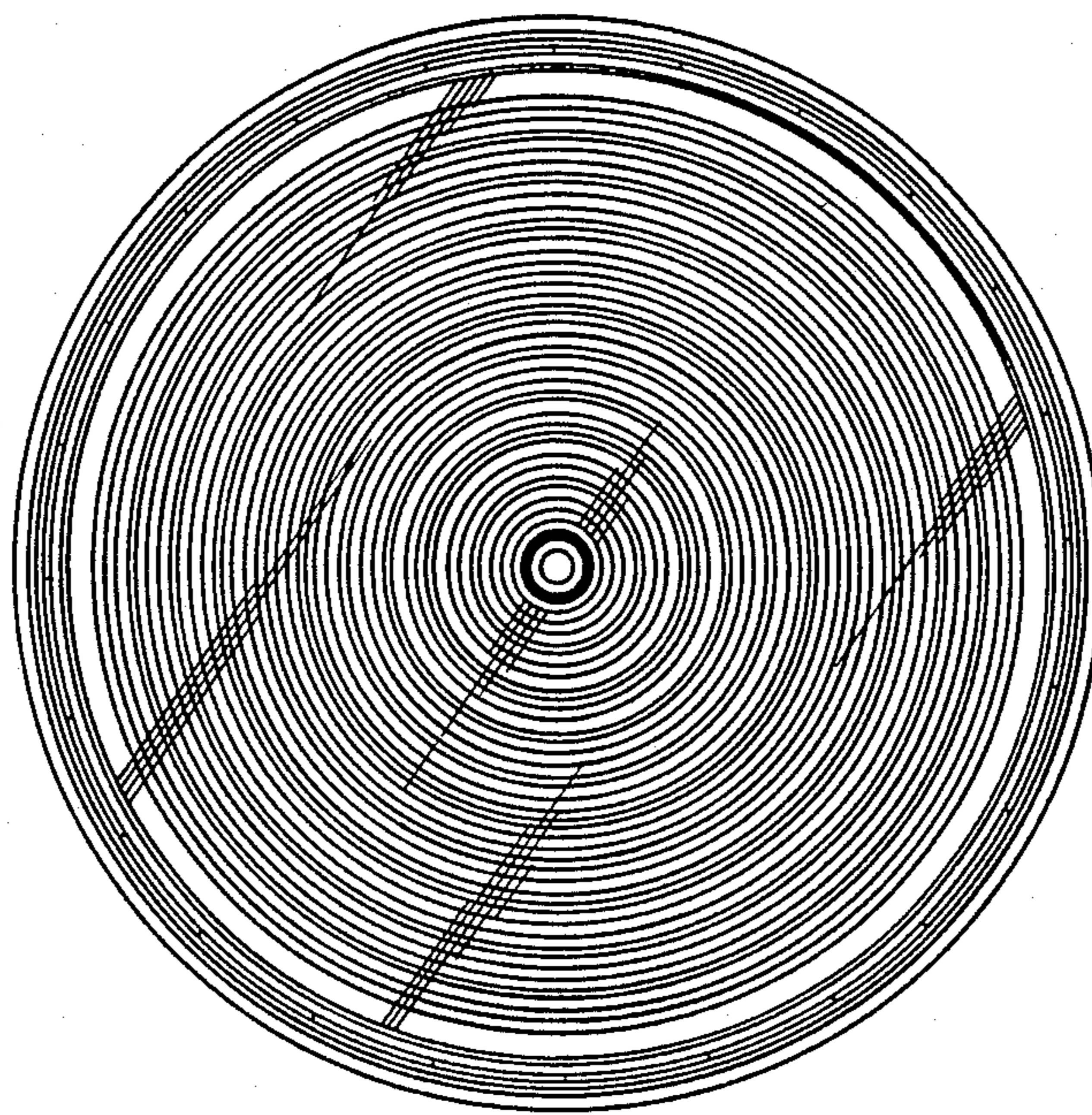


FIG.5

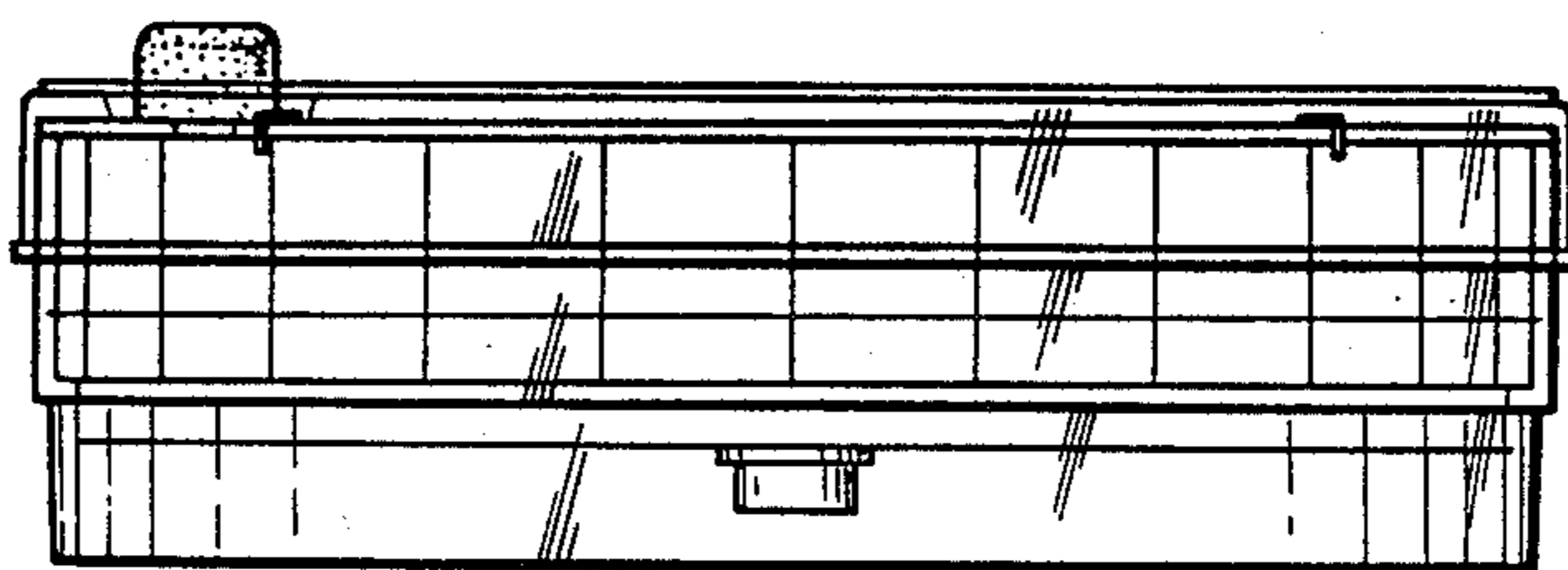


FIG.6

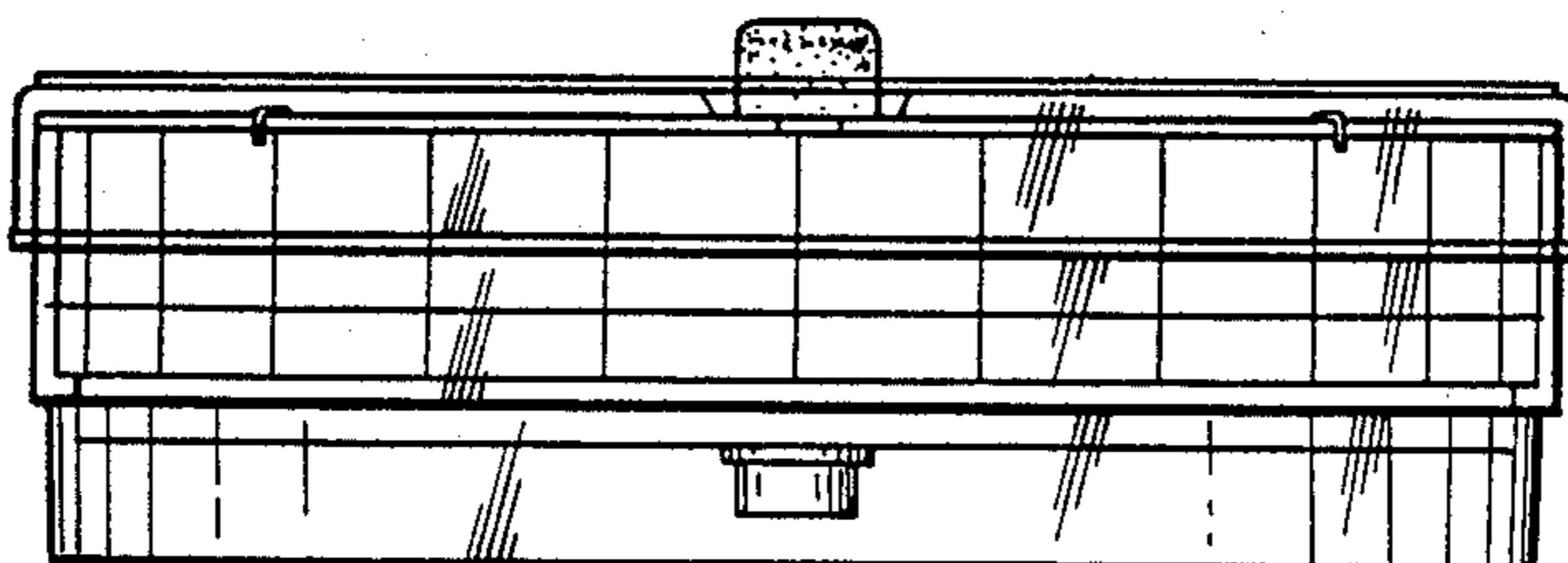


FIG.7

