

[54] COMBINED CEILING FAN AND LIGHT FIXTURE

D. 294,645 3/1988 Ewing et al. .... D26/24 X  
D. 294,870 3/1988 Hsu ..... D26/81 X

[75] Inventor: Robert Sonneman, New York, N.Y.

Primary Examiner—Wallace R. Burke

Assistant Examiner—Brian N. Vinson

[73] Assignee: Sonneman Design Group, Inc., New York, N.Y.

Attorney, Agent, or Firm—Robin, Blecker, Daley & Driscoll

[\*\*] Term: 14 Years

[57] CLAIM

[21] Appl. No.: 229,867

The ornamental design of a combined ceiling fan and light fixture, as shown and described.

[22] Filed: Aug. 8, 1988

DESCRIPTION

Related U.S. Application Data

[62] Division of Ser. No. 87,455, Aug. 20, 1987, Pat. No. D. 298,052.

FIG. 1 is a bottom perspective view of a combined ceiling fan and light fixture showing my new design; FIG. 2 is a fragmentary top plan view thereof; FIG. 3 is a fragmentary side elevational view thereof, the sides opposite and adjacent being substantially similar in appearance;

[52] U.S. Cl. .... D23/385; D23/377; D23/379; D26/59

FIG. 4 is a fragmentary bottom plan view thereof; FIG. 5 is a fragmentary bottom perspective view of an alternate embodiment thereof;

[58] Field of Search ..... D23/370, 377, 379, 385; D26/51, 59, 2, 24, 81, 88, 89; 416/5; 362/147, 294, 404

FIG. 6 is a fragmentary side elevational view of the embodiment of FIG. 5, the sides opposite and adjacent being substantially similar in appearance; and

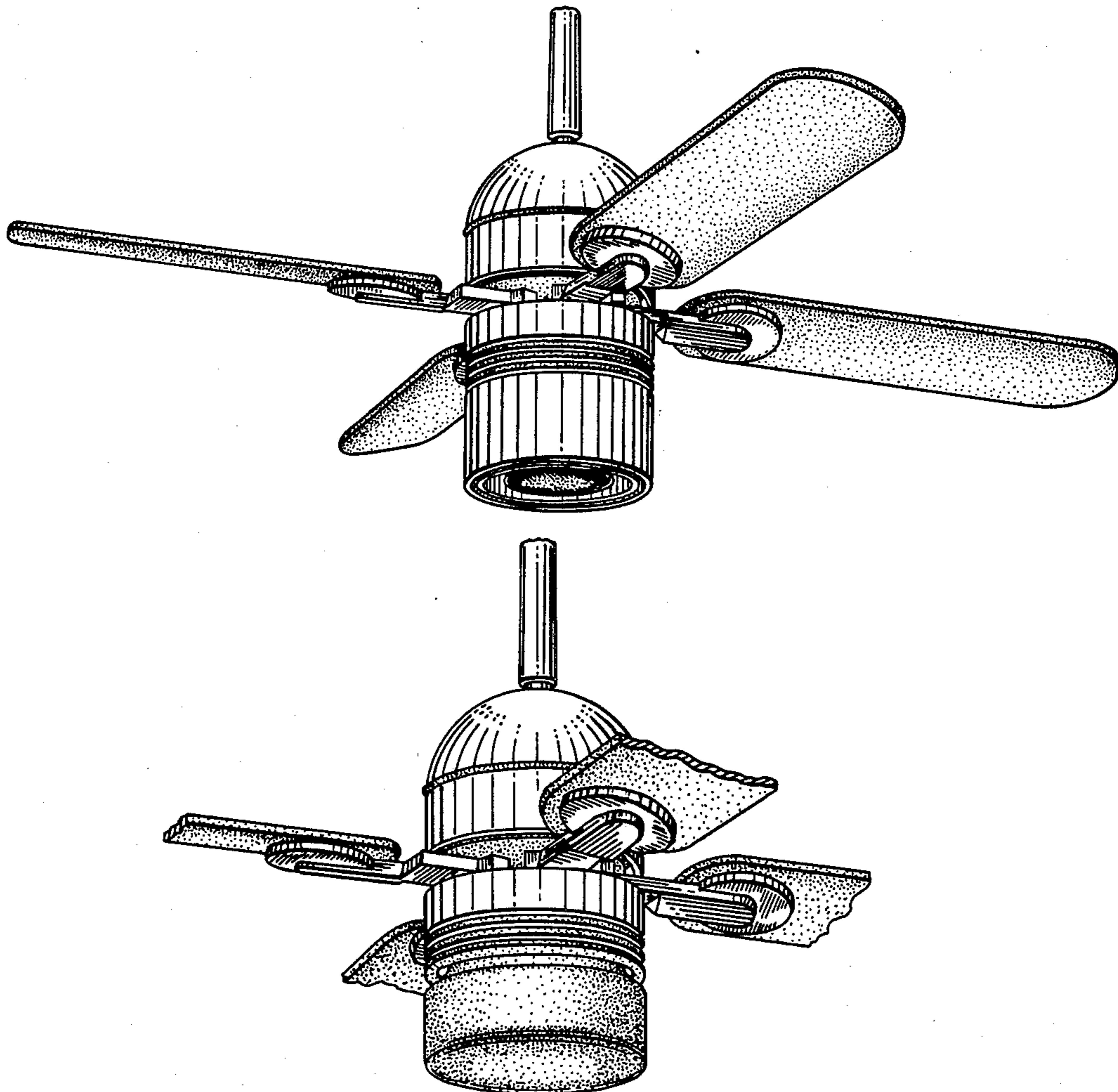
[56] References Cited

U.S. PATENT DOCUMENTS

- D. 213,464 3/1969 Meyer ..... D26/89
- D. 253,854 1/1980 Strignano ..... D26/89
- D. 262,660 1/1982 Fairbanks et al. .... D26/88
- D. 284,304 6/1986 Harber ..... D23/377
- D. 290,748 7/1987 Kawai ..... D23/377

FIG. 7 is a fragmentary bottom plan view of the embodiment of FIG. 5.

The blade portions in FIGS. 2-7 have been shown broken-away for convenience of illustration.



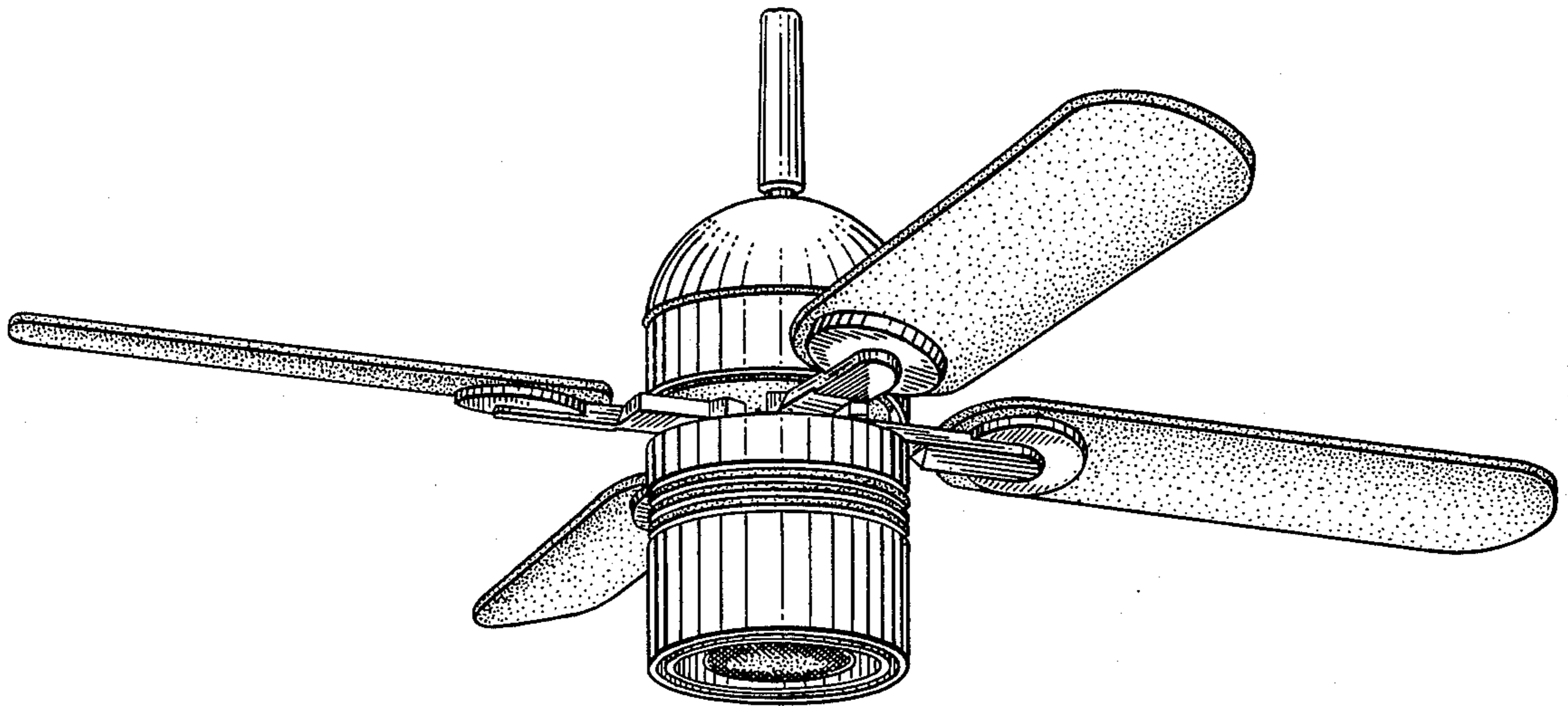


FIG. 1

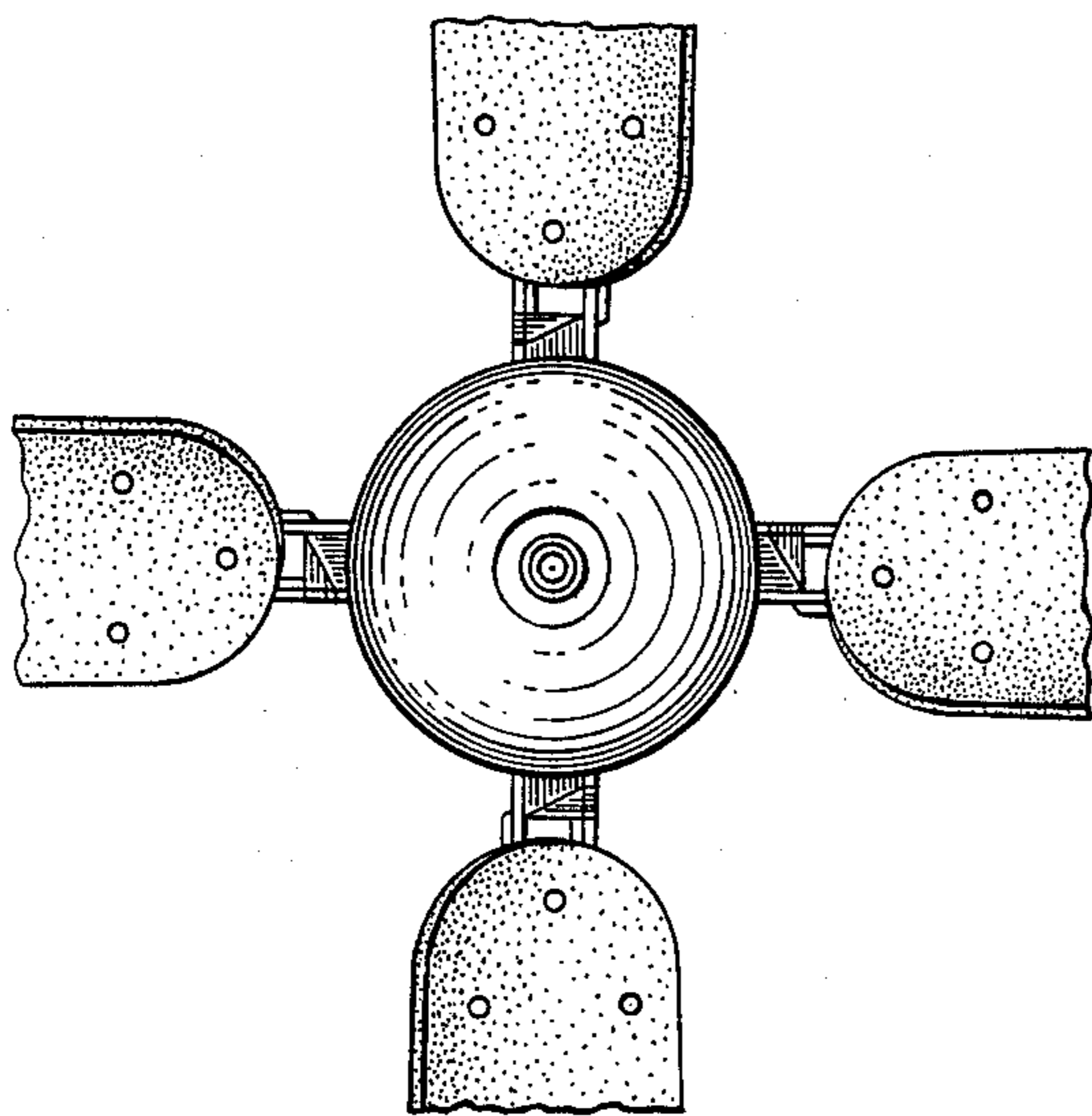


FIG. 2

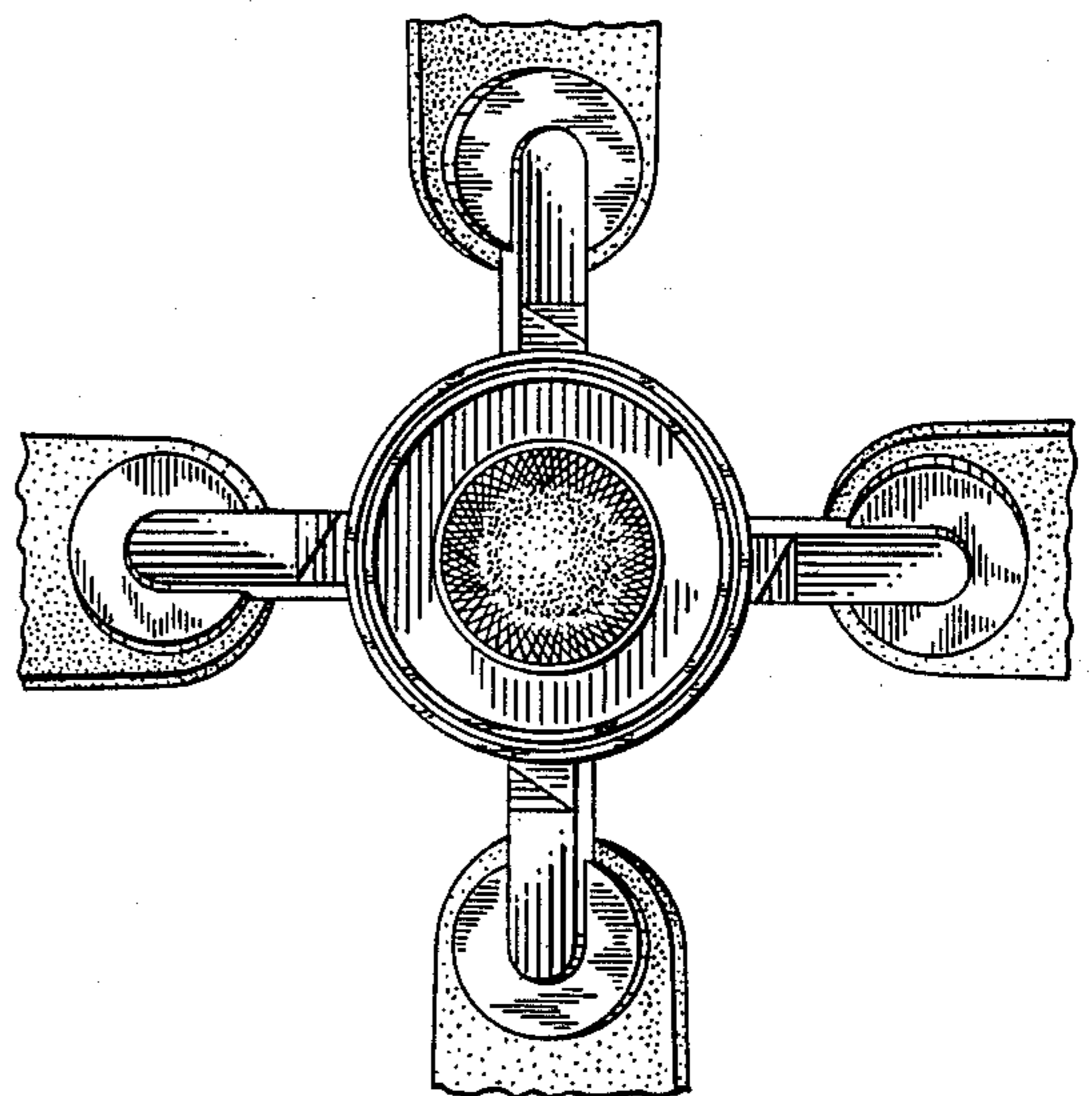


FIG. 4

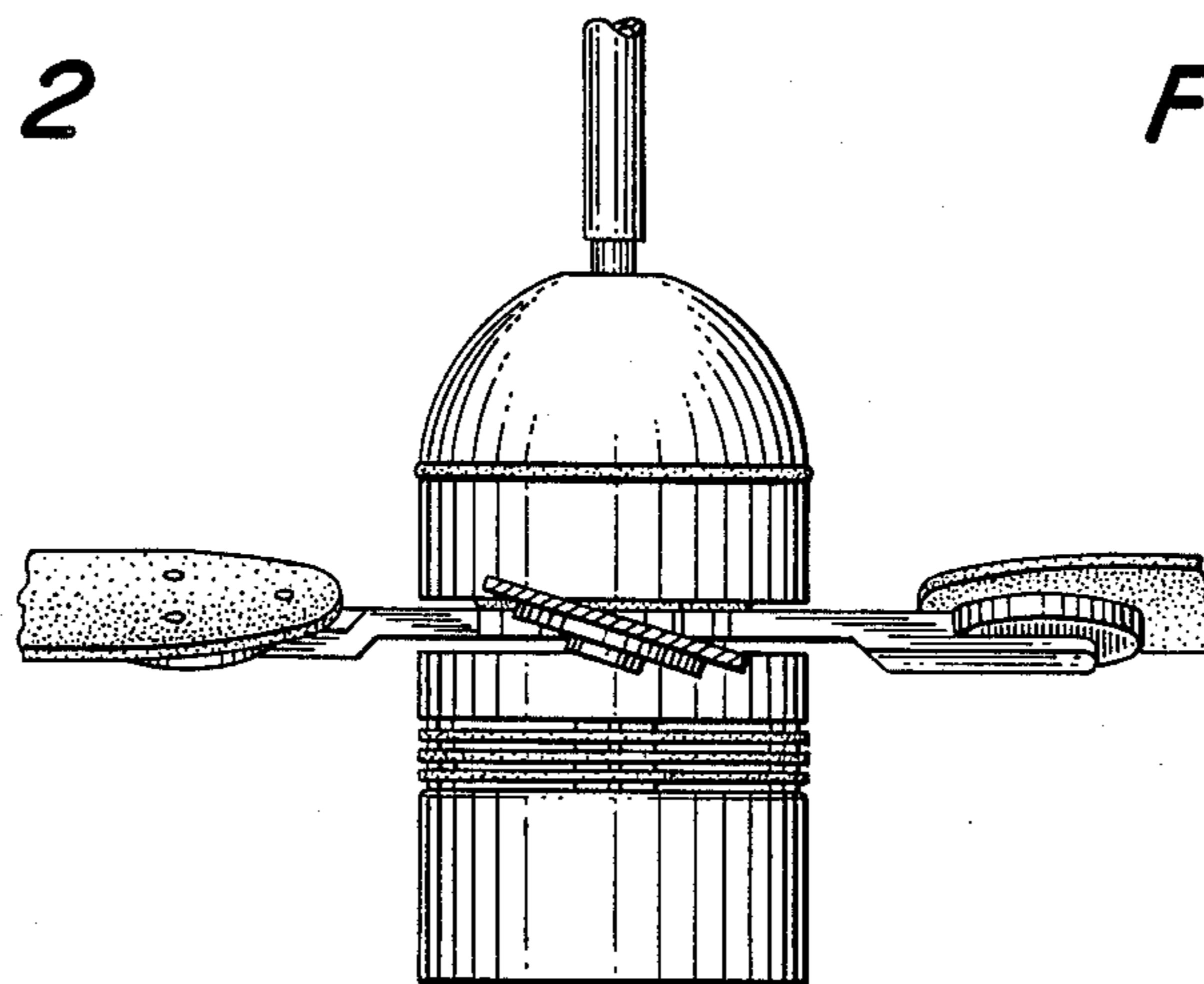
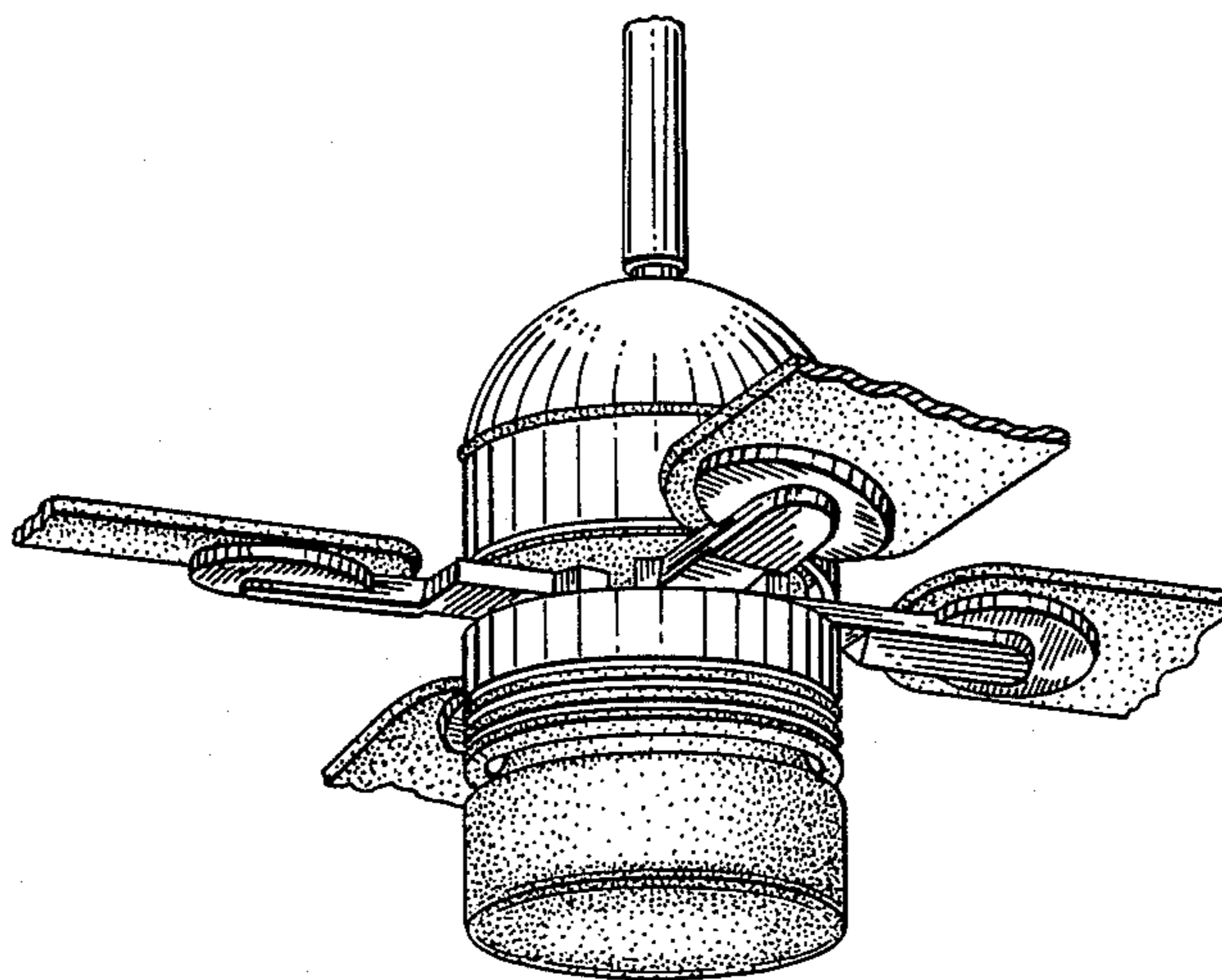
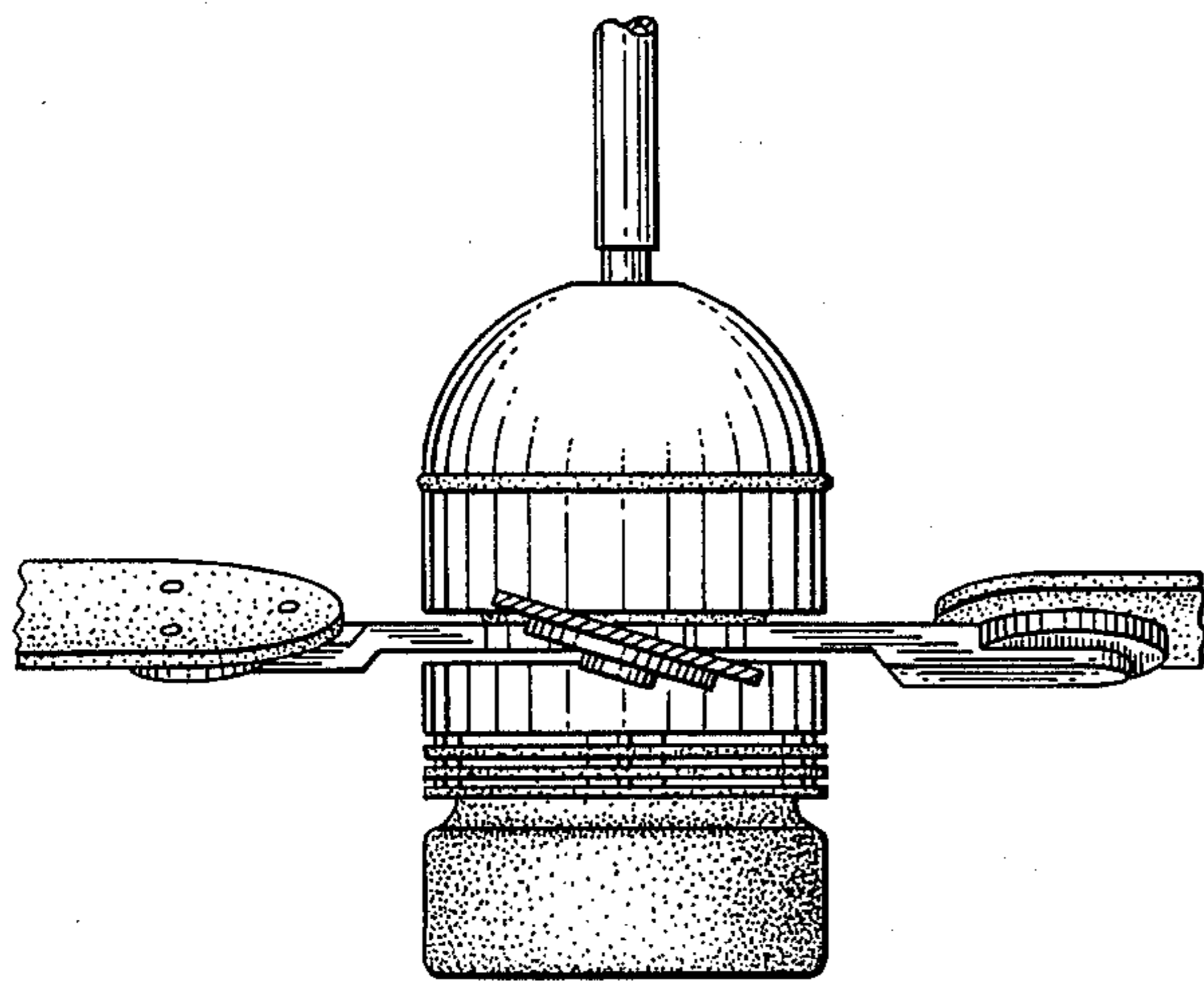


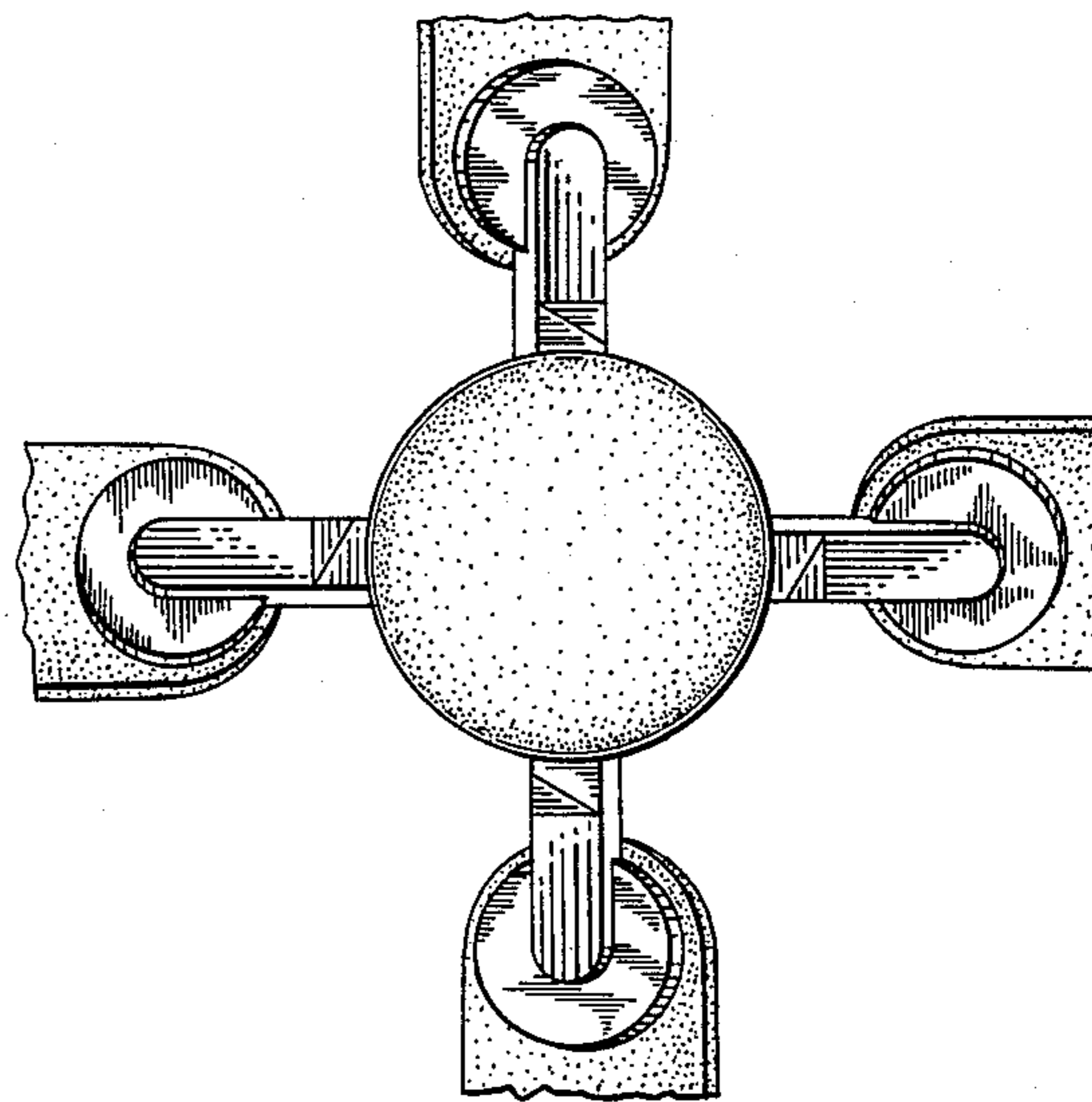
FIG. 3



**FIG. 5**



**FIG. 6**



**FIG. 7**