

[54] SPRAYER HANDLE

[76] Inventors: Charles M. Dailey, 9601 N. Allen Rd., Peoria, Ill. 61615; John Chmela, 1106 Beachwood, Mt. Prospect, Ill. 60056

[**] Term: 14 Years

[21] Appl. No.: 114,103

[22] Filed: Oct. 26, 1987

[52] U.S. Cl. D23/223

[58] Field of Search D23/213, 223, 224, 225, D23/226, 227; 239/525, 527, 526

[56] References Cited

U.S. PATENT DOCUMENTS

D. 201,624 7/1965 Pinke et al. D23/223

D. 205,223 7/1966 Bouillard et al. D23/225
2,991,945 7/1961 Rosenkranz D23/226
4,458,831 7/1984 Holleran et al. 239/527

Primary Examiner—James M. Gandy
Assistant Examiner—Lisa Lichtenstein
Attorney, Agent, or Firm—Ladas & Parry

[57] CLAIM

The ornamental design for a sprayer handle, as shown.

DESCRIPTION

FIG. 1 is a perspective view of a sprayer handle showing our new design.

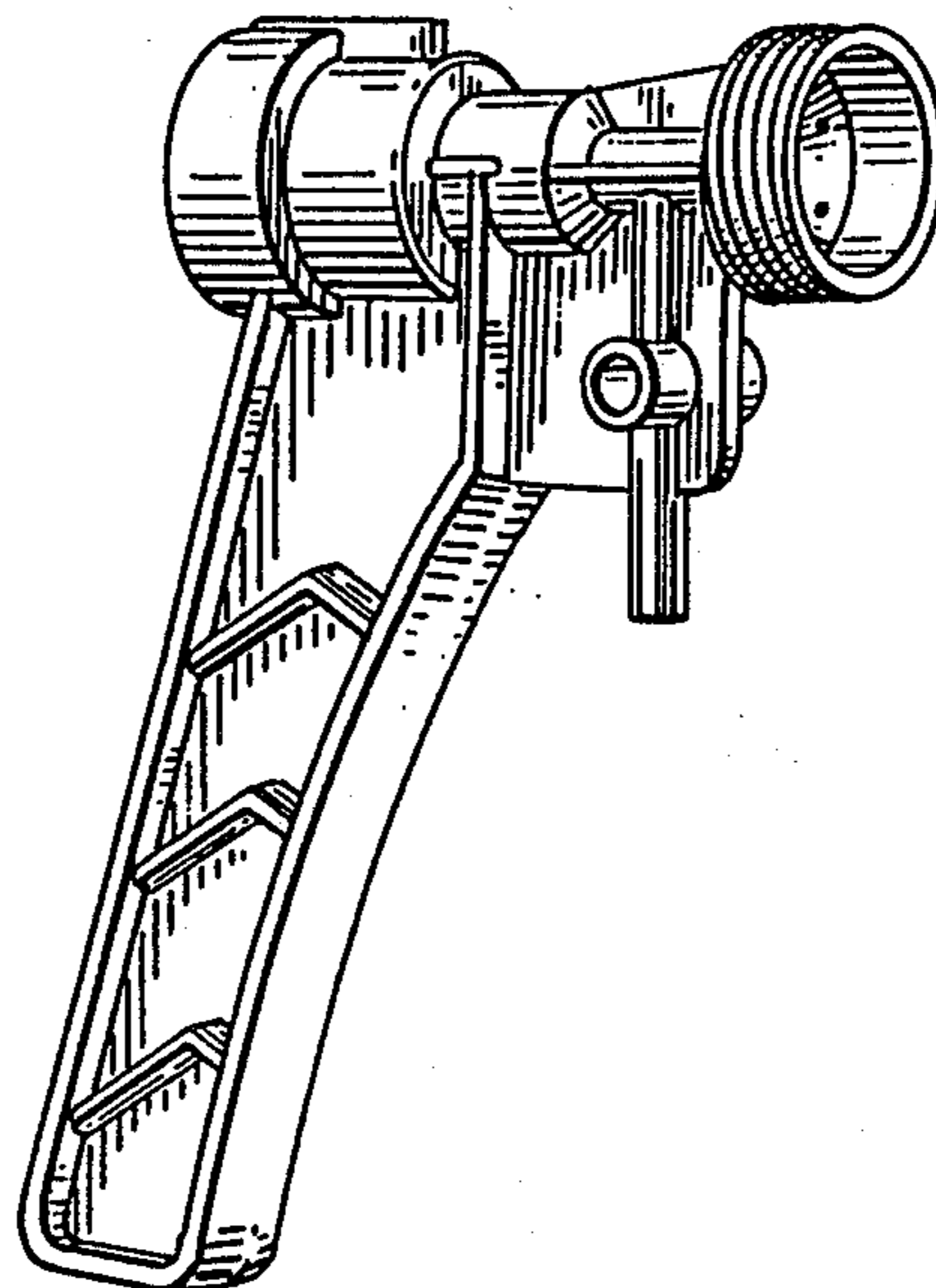
FIG. 2 is a top plan view thereof.

FIG. 3 is a right side elevational view thereof.

FIG. 4 is a rear elevational view thereof.

FIG. 5 is a front elevational view thereof.

FIG. 6 is a bottom plan view thereof.



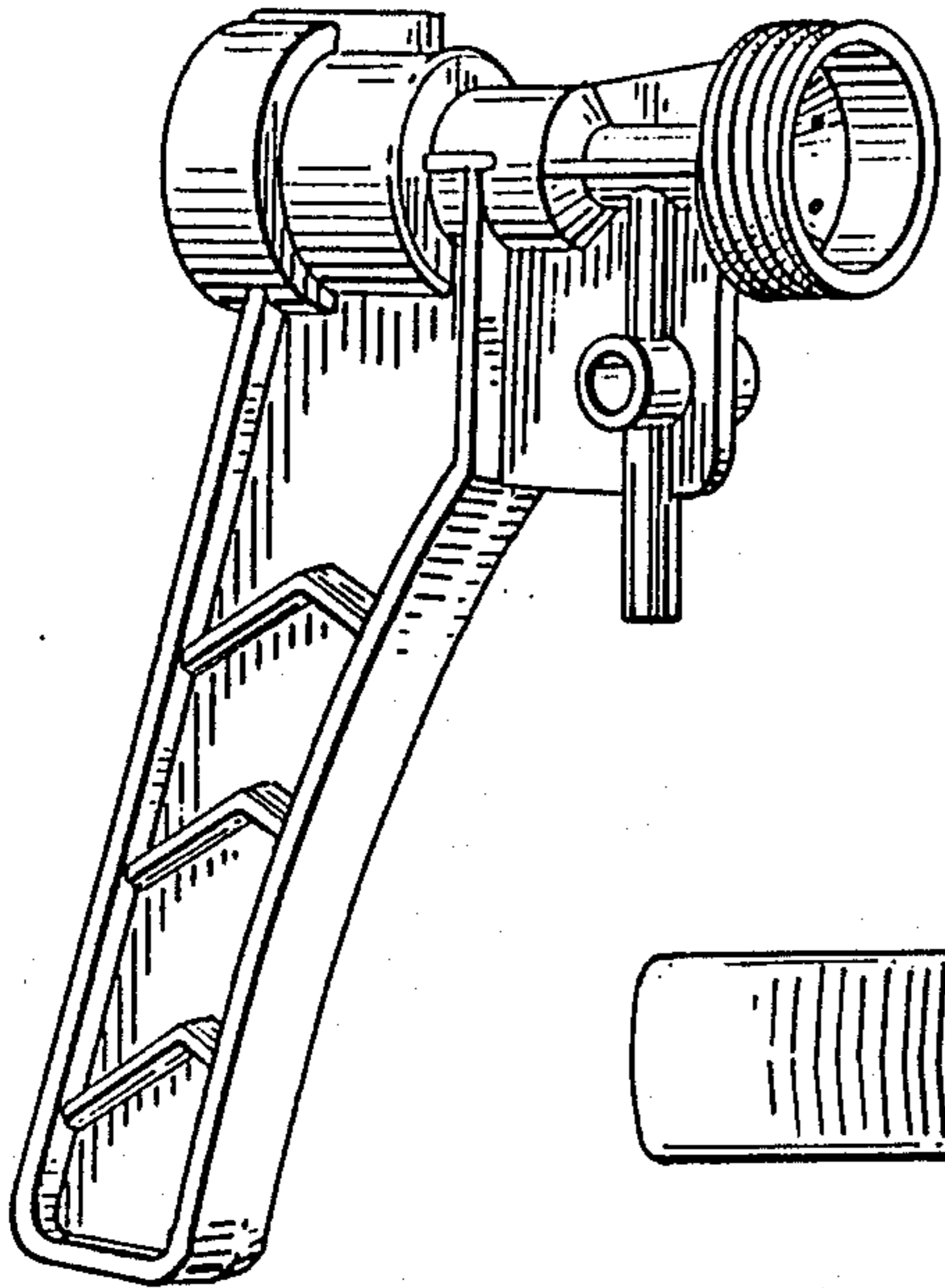


FIG. 1

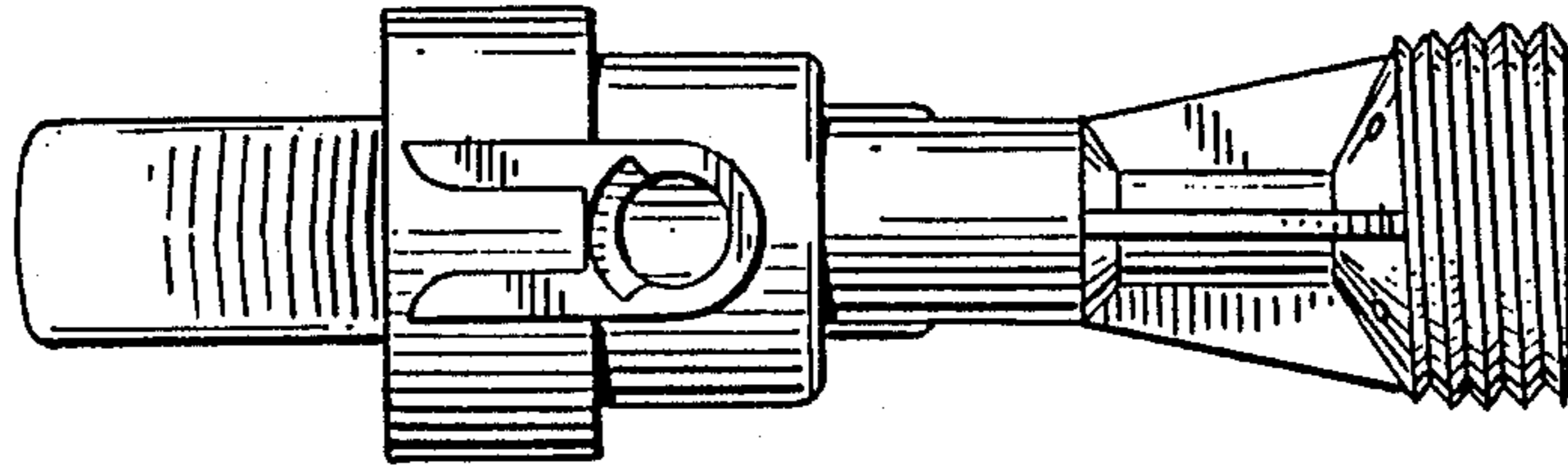


FIG. 2

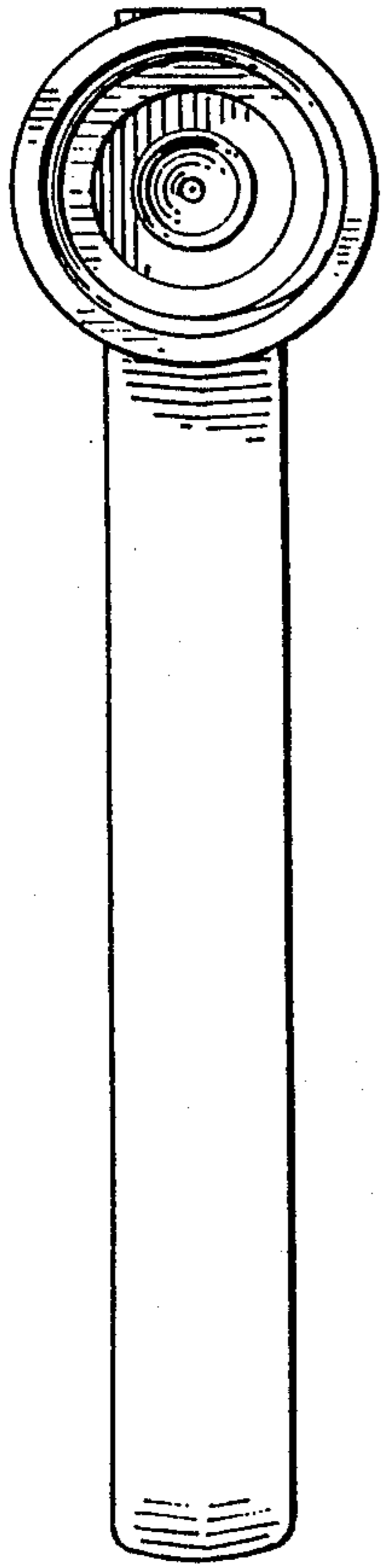


FIG. 4

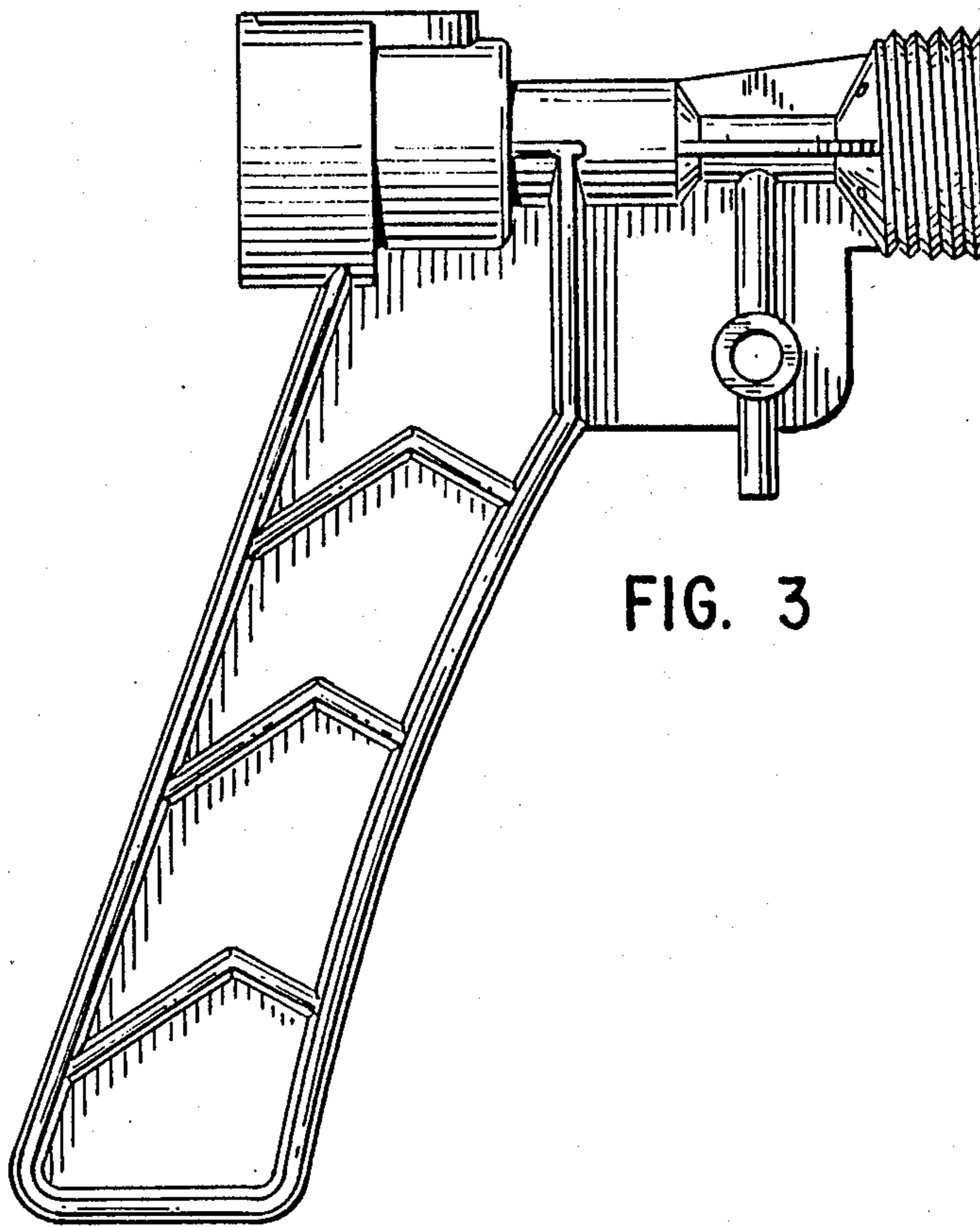


FIG. 3

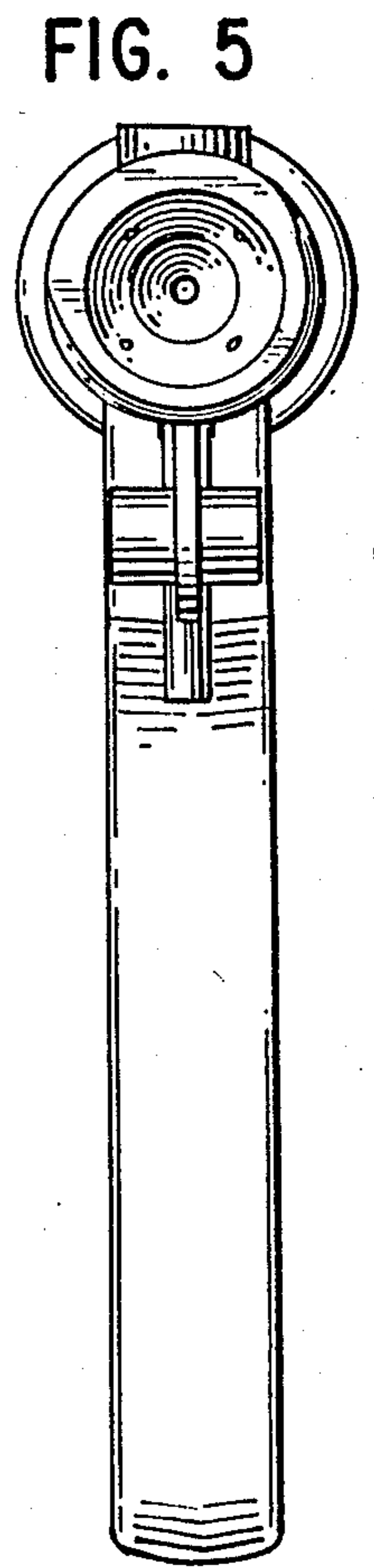


FIG. 5

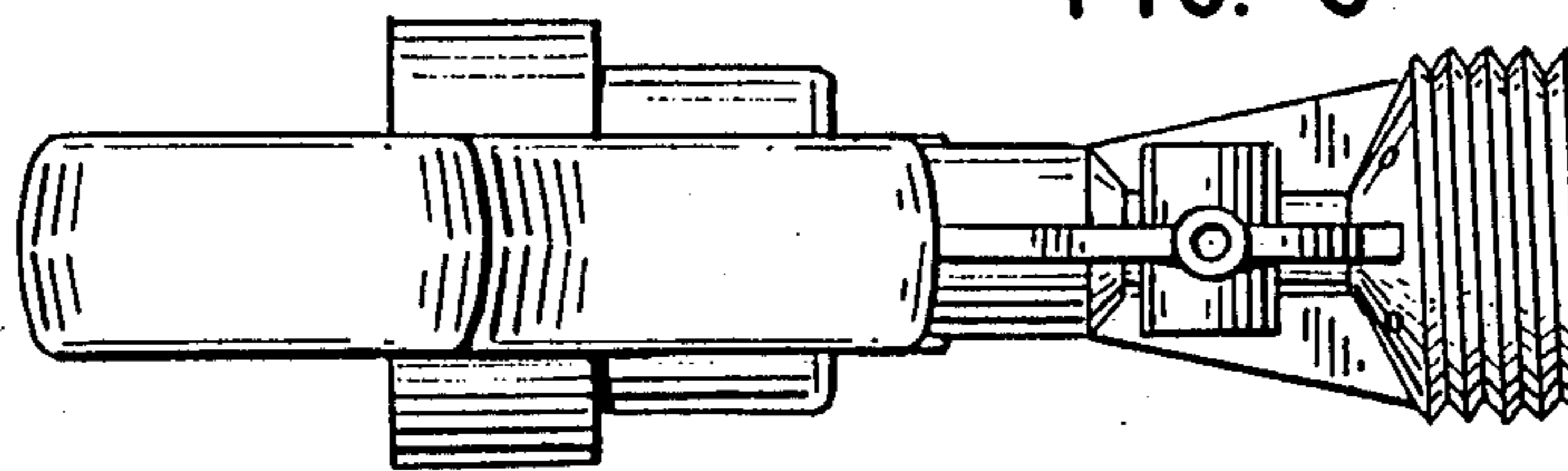


FIG. 6