

United States Patent [19]

Huber et al.

[11] Patent Number: **Des. 303,420**

[45] Date of Patent: **** Sep. 12, 1989**

[54] **COMBINED BLACK POWDER CAP DISPENSER AND HOLDER**

[76] Inventors: **Greg R. Huber**, 4802 Oak Knoll, Youngstown, Ohio 44512; **Richard J. Pavlov**, 1510 Lilac Dr., West Middlesex, Pa. 16159

[**] Term: **14 Years**

[21] Appl. No.: **44,559**

[22] Filed: **May 1, 1987**

[52] U.S. Cl. **D22/116**

[58] Field of Search **D24/53, 31, 32; D22/116, 108; 224/916; 102/204, 275.12; D8/364, 366; 211/66, 68, 69, 69.1, 70, 70.8, 129, 131**

[56] **References Cited**

U.S. PATENT DOCUMENTS

D. 206,485 12/1966 Clark, Jr. D22/116 X
D. 298,355 11/1988 Young D24/53
2,984,277 5/1961 Neff 224/916 X

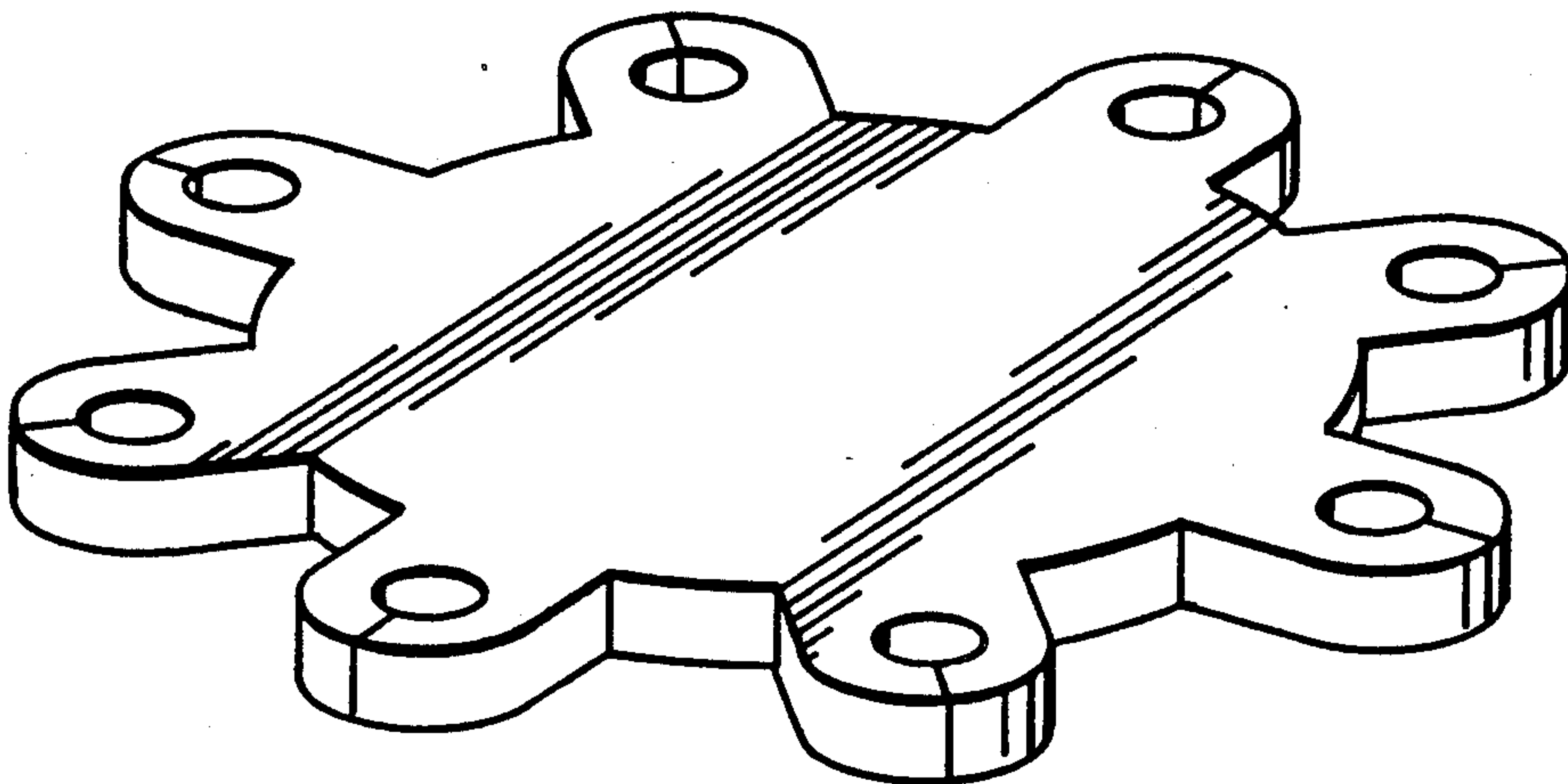
Primary Examiner—A. Hugo Word
Attorney, Agent, or Firm—Harpman & Harpman

[57] **CLAIM**

The ornamental design for a cap holder, as shown and described.

DESCRIPTION

FIG. 1 is a perspective view of a combined black powder cap dispenser and holder showing our new design; FIG. 2 is a top plan view of the cap holder; and FIG. 3 is an end elevation view thereof.



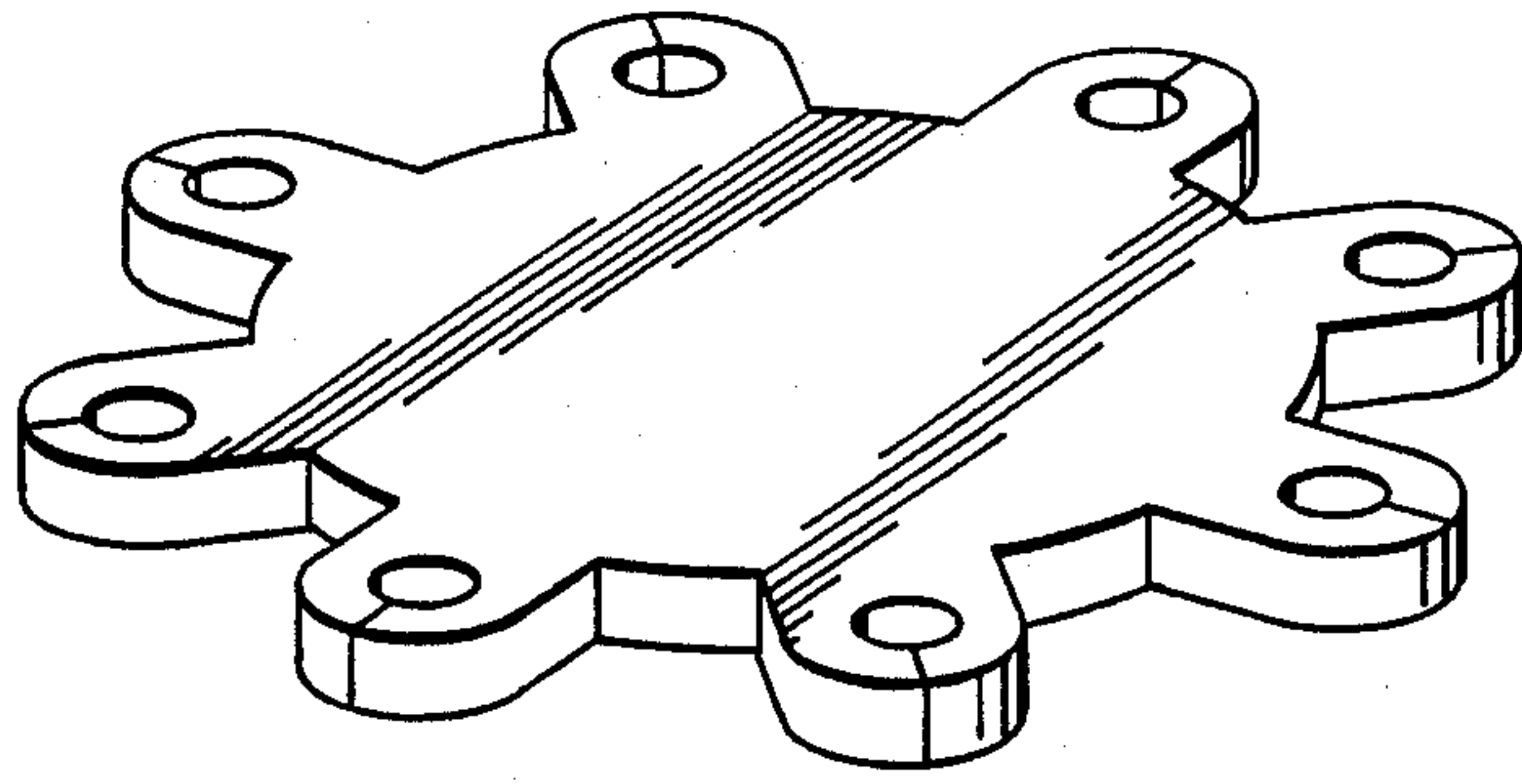


FIG. 1

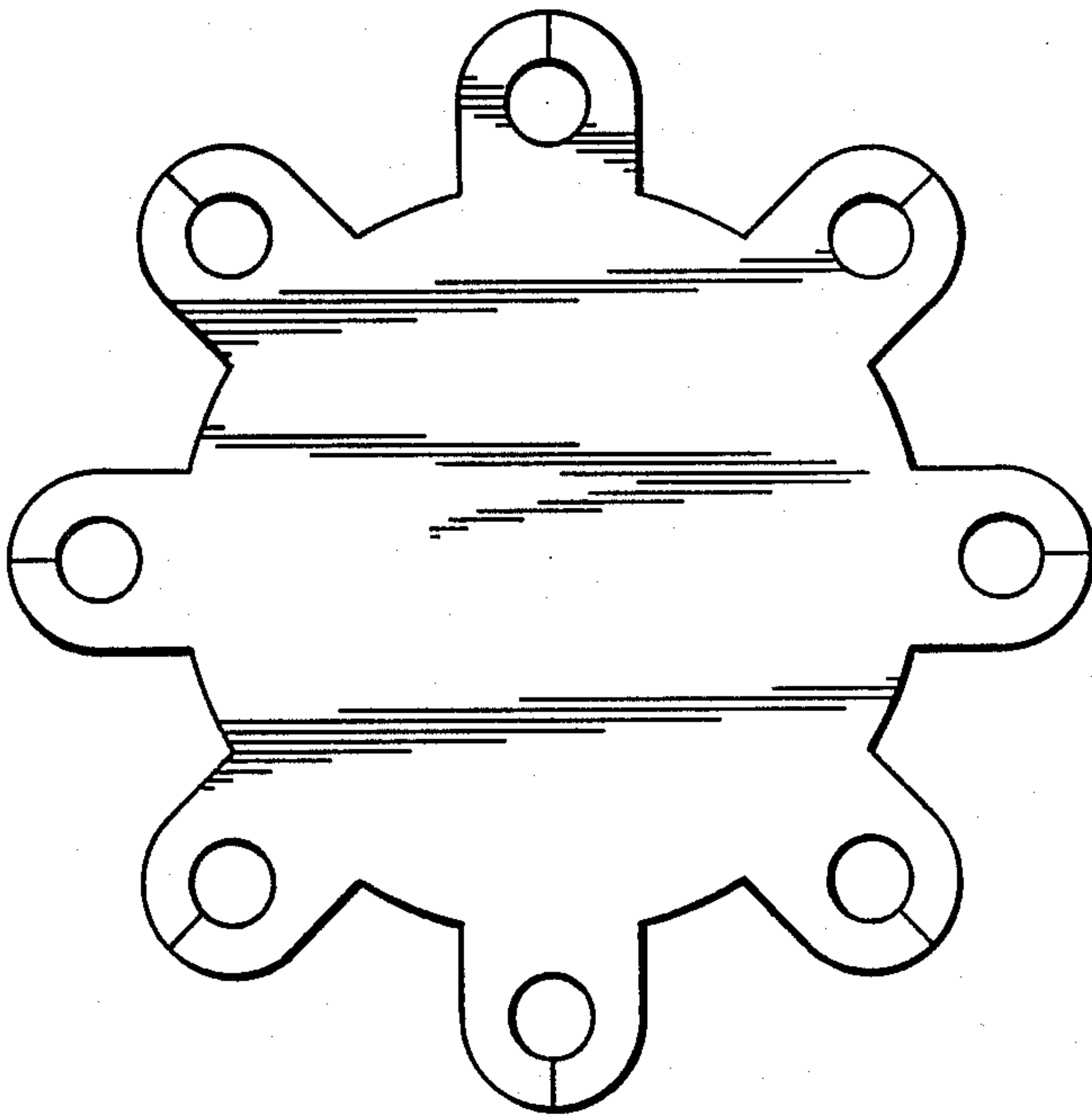


FIG. 2



FIG. 3