

[54] FIREARM

[75] Inventors: Michael K. Miller; Warren D. Stockton, both of Bakersfield, Calif.

[73] Assignee: Kern Instrument & Tooling, Inc., Bakersfield, Calif.

[\*\*] Term: 14 Years

[21] Appl. No.: 934,144

[22] Filed: Nov. 24, 1986

Related U.S. Application Data

[63] Continuation-in-part of Ser. No. 736,071, May 20, 1985, Pat. No. 4,676,137, and a continuation of Ser. No. 802,152, Nov. 25, 1985, Pat. No. 4,766,800.

[52] U.S. Cl. .... D22/103; D22/104

[58] Field of Search ..... D9/1, 7, 33.02, 33.1; 42/2, 16, 18, 75.01, 72, 73, 49.01; D22/100, 101, 103, 104

[56] References Cited

U.S. PATENT DOCUMENTS

D. 251,979 5/1979 Hance ..... D22/103

D. 285,234 8/1986 Swearengen et al. .... D22/100  
D. 290,153 6/1987 Reaume ..... D22/100  
2,970,398 2/1961 Crouch ..... D22/103 X  
3,512,290 5/1970 Laviolette, Jr. et al. .... 42/75.01

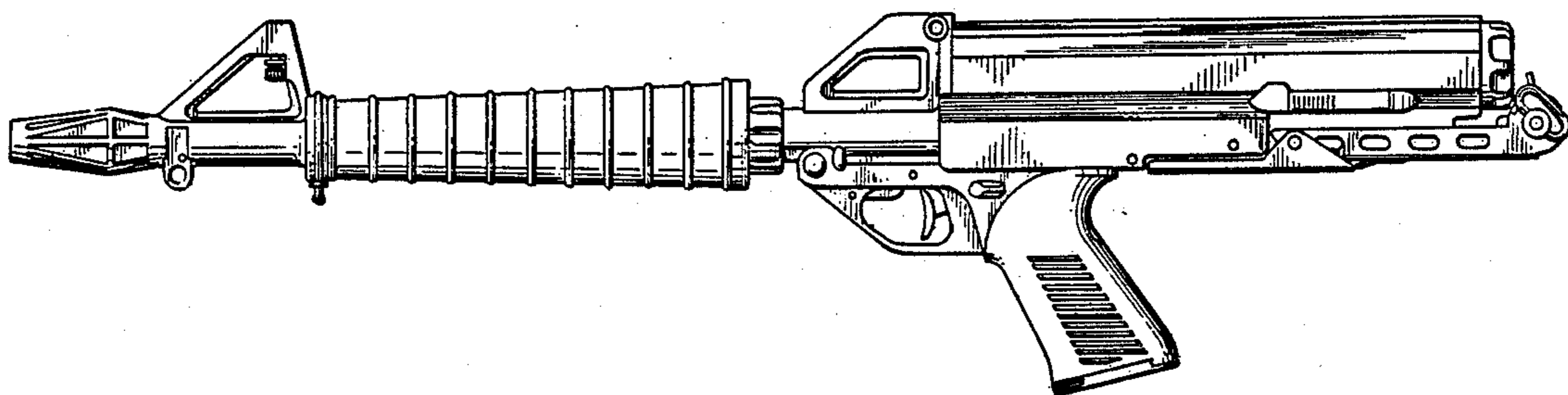
Primary Examiner—A. Hugo Word  
Attorney, Agent, or Firm—Roylance, Abrams, Berdo & Goodman

[57] CLAIM

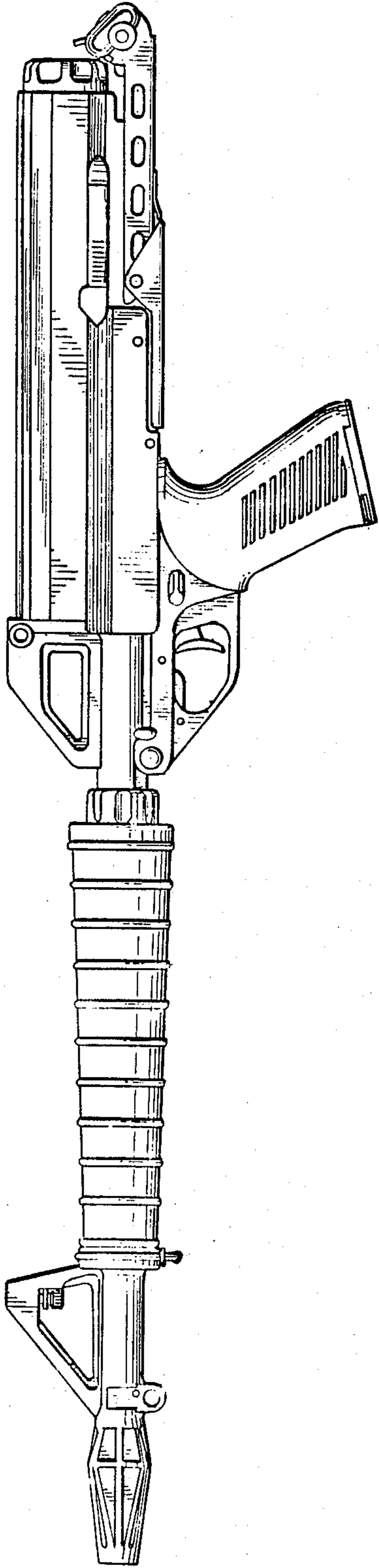
The ornamental design for a firearm, as shown and described.

DESCRIPTION

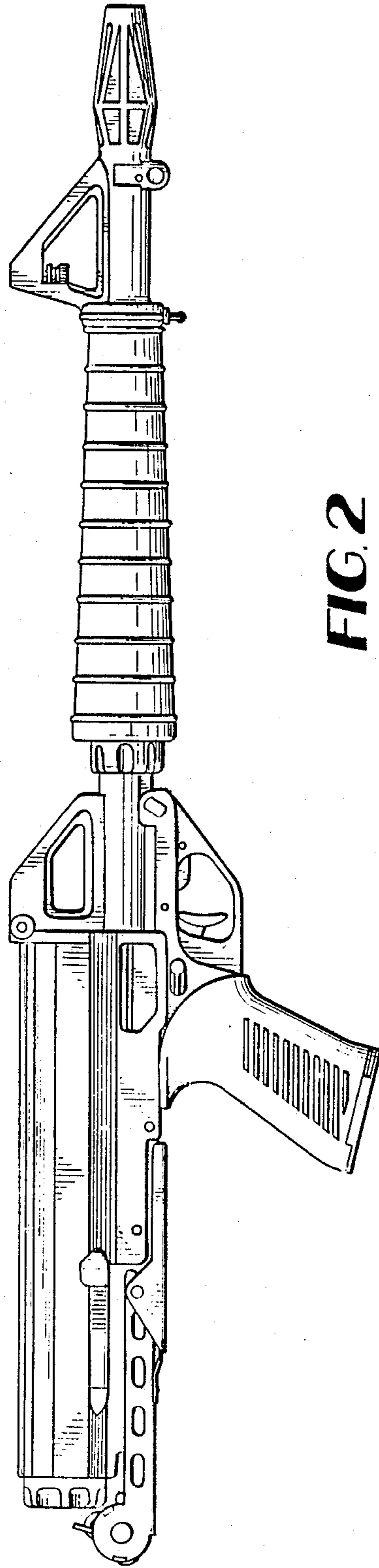
FIG. 1 is a left side elevational view of a firearm embodying our new design;  
FIG. 2 is a right side elevational view thereof;  
FIG. 3 is a top plan view thereof;  
FIG. 4 is a bottom plan view thereof;  
FIG. 5 is a front elevational view thereof;  
FIG. 6 is a rear elevational view thereof;  
FIG. 7 is a view similar to FIG. 2 but showing the magazine removed from the gun; and  
FIG. 8 is a view similar to FIG. 1 but showing the butt stock, which is shown folded in FIGS. 1-7, in its extended unfolded position.



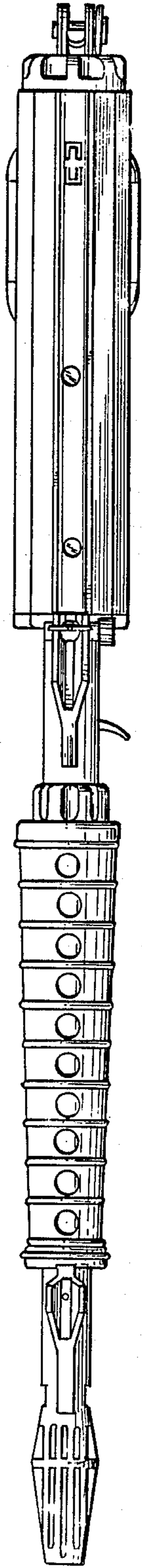
**FIG. 1**



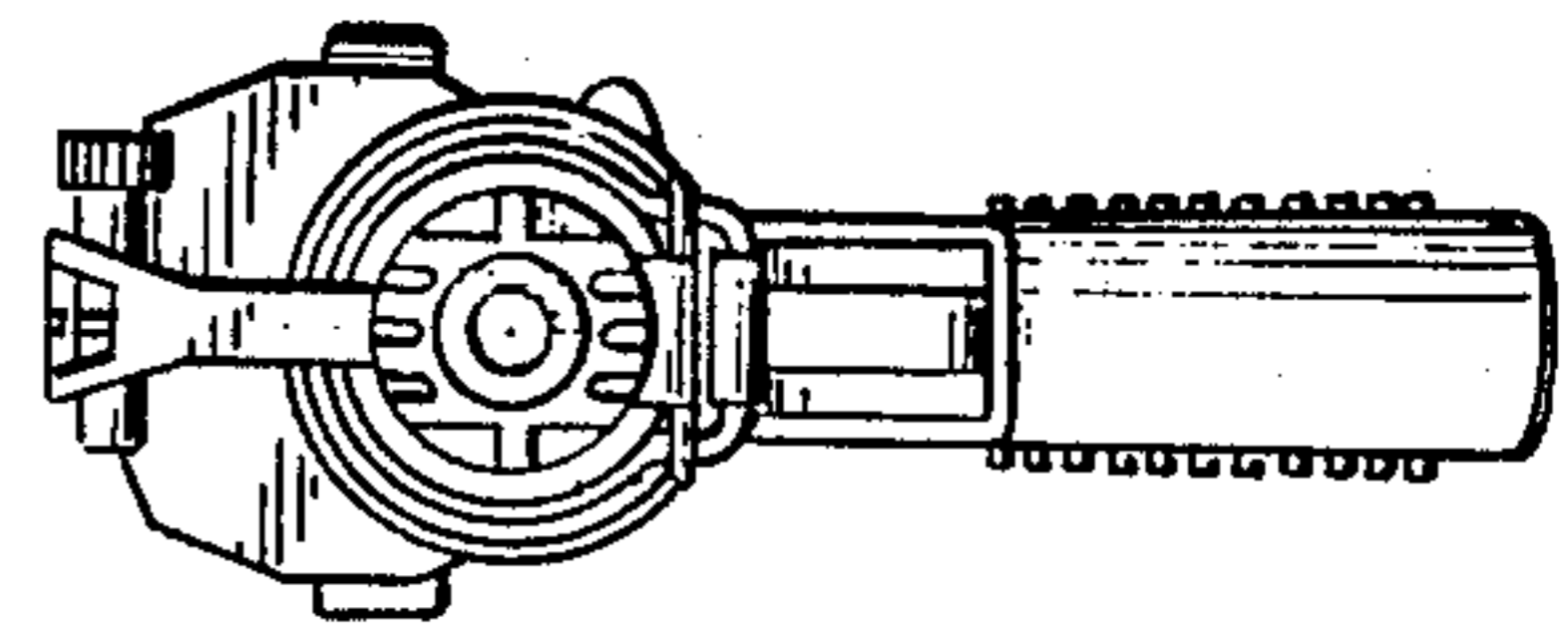
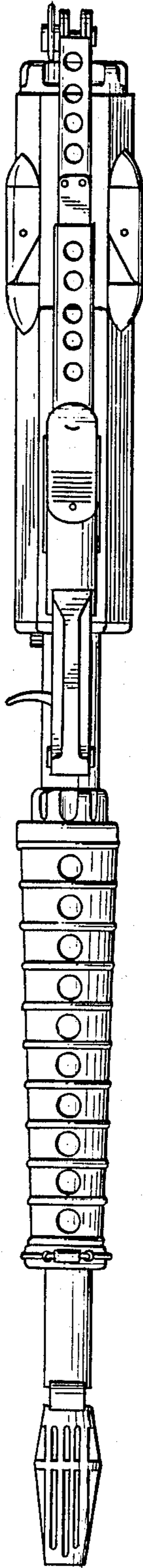
**FIG. 2**



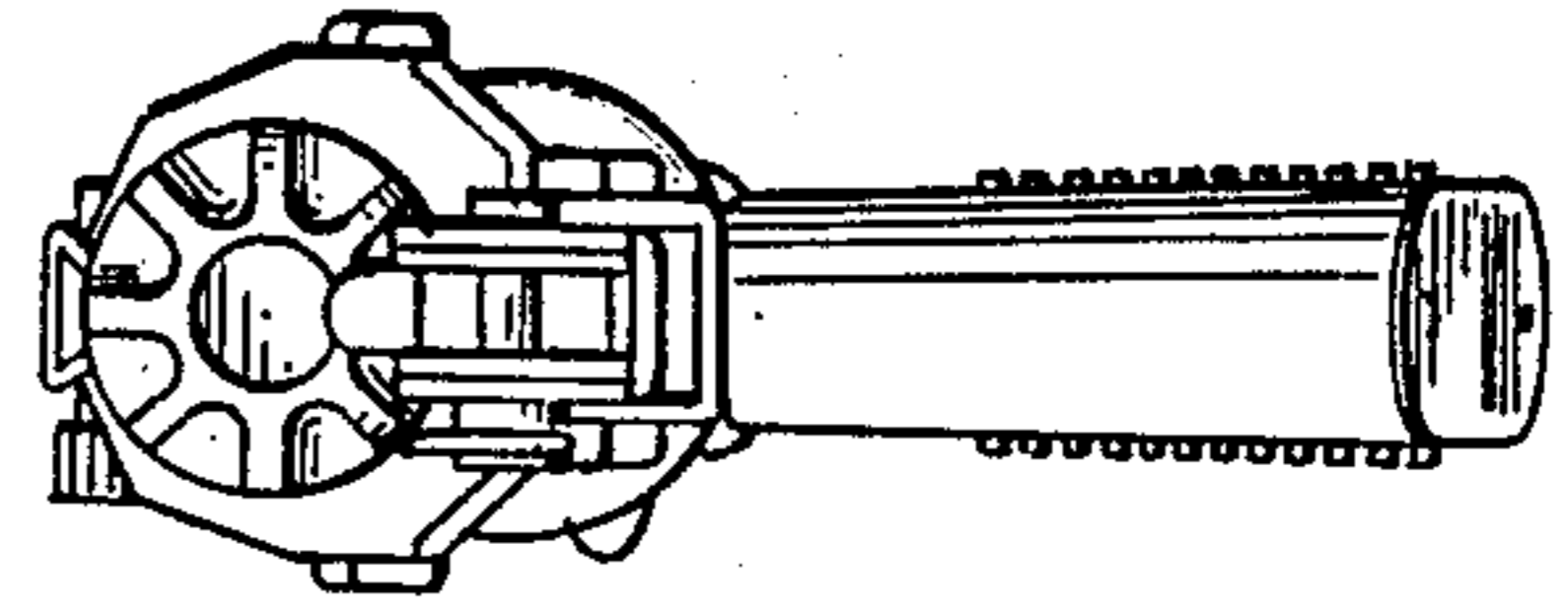
**FIG.3**



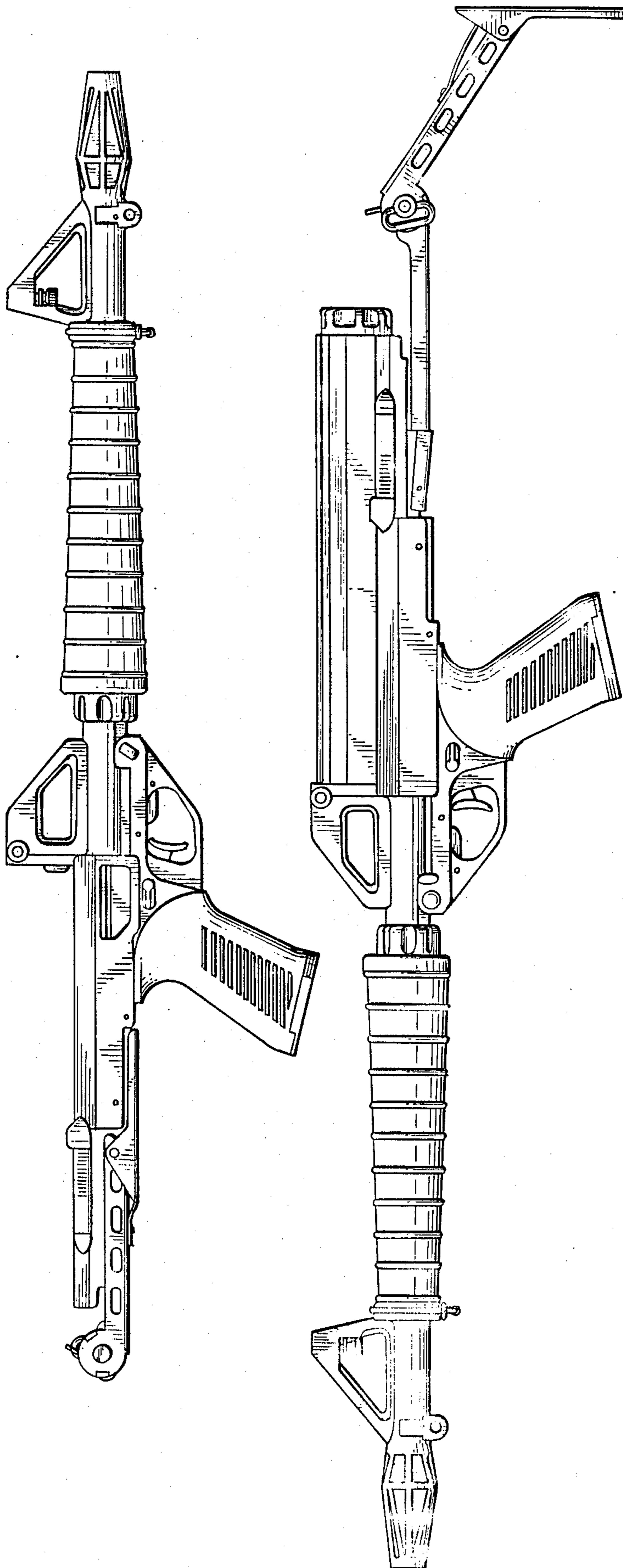
**FIG.4**



**FIG.5**



**FIG.6**



**FIG. 7**

**FIG. 8**