

[54] PROJECTILE LAUNCHER

[75] Inventor: Paul LaViolette, North Haven, Conn.

[73] Assignee: LaViolette, Inc., North Haven, Conn.

[\*\*] Term: 14 Years

[21] Appl. No.: 908,094

[22] Filed: Sep. 16, 1986

[52] U.S. Cl. .... D22/100; D22/103

[58] Field of Search .... D9/1.7, 33.02, 33.1; 42/2, 16, 18, 75.01, 72, 73, 49.01; D22/100, 101, 103, 104

[56] References Cited

U.S. PATENT DOCUMENTS

- D. 251,979 5/1979 Hance ..... D22/103
- D. 285,234 8/1986 Swarengen et al. .... D22/100

- 2,970,398 2/1961 Crouch ..... D22/103 X
- 3,512,290 5/1970 LaViolette, Jr. et al. .... 42/75.01
- 4,663,876 5/1987 Reaume ..... 42/75.01 X

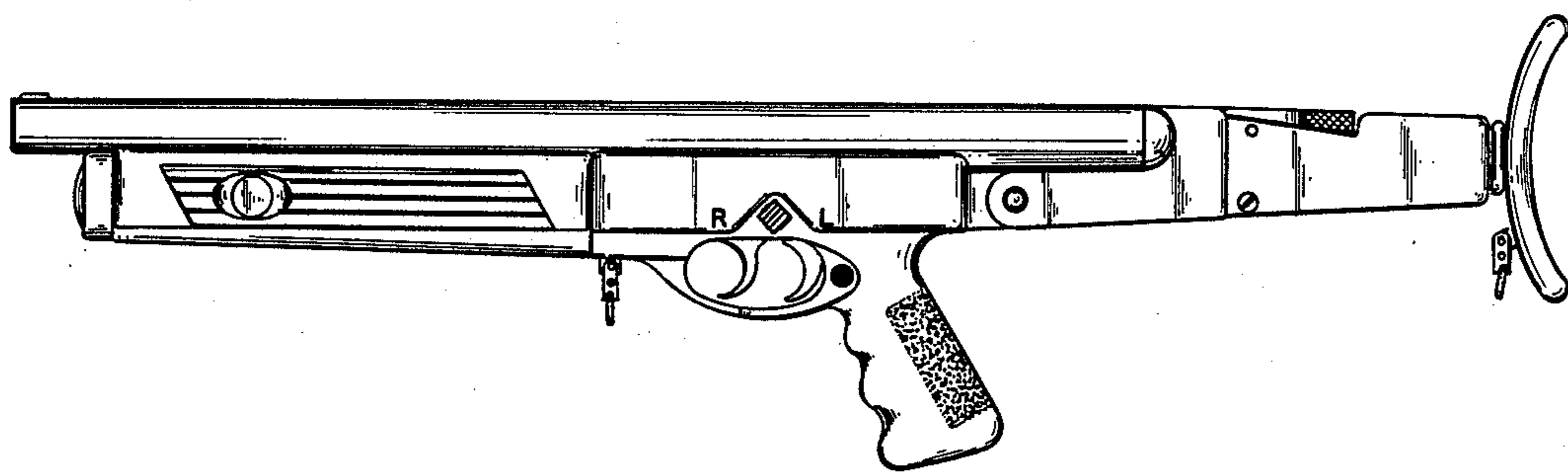
Primary Examiner—A. Hugo Word  
Attorney, Agent, or Firm—Robert H. Montgomery

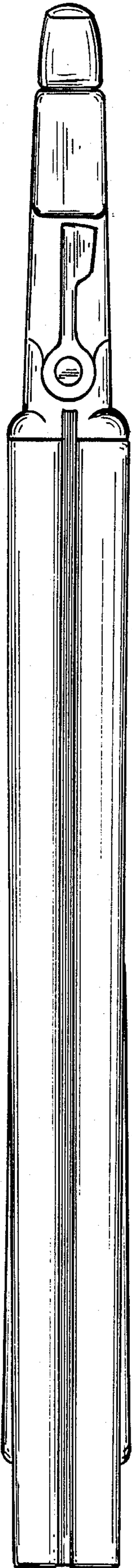
[57] CLAIM

The ornamental design for a projectile launcher, as shown.

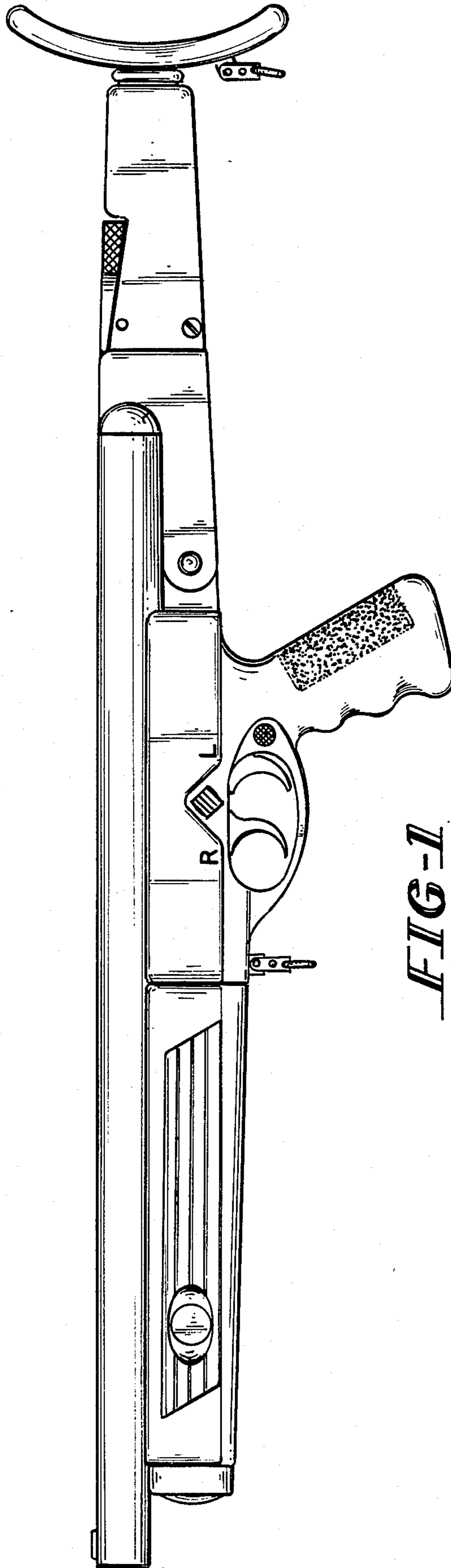
DESCRIPTION

FIG. 1 is a side elevational view seen from one side of a projectile launcher embodying the invention;  
 FIG. 2 is a top plan view thereof;  
 FIG. 3 is a bottom plan view thereof;  
 FIG. 4 is a side elevational view seen from the other side thereof;  
 FIG. 5 is a front elevational view thereof; and  
 FIG. 6 is a rear elevational view thereof.

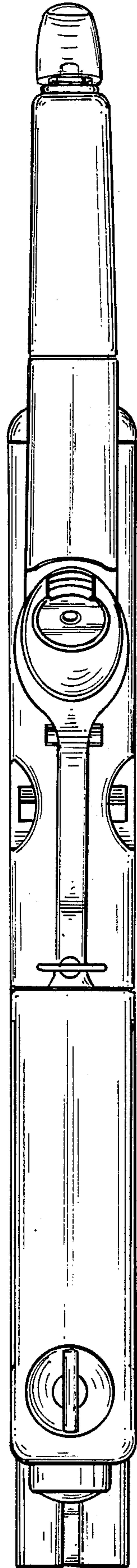




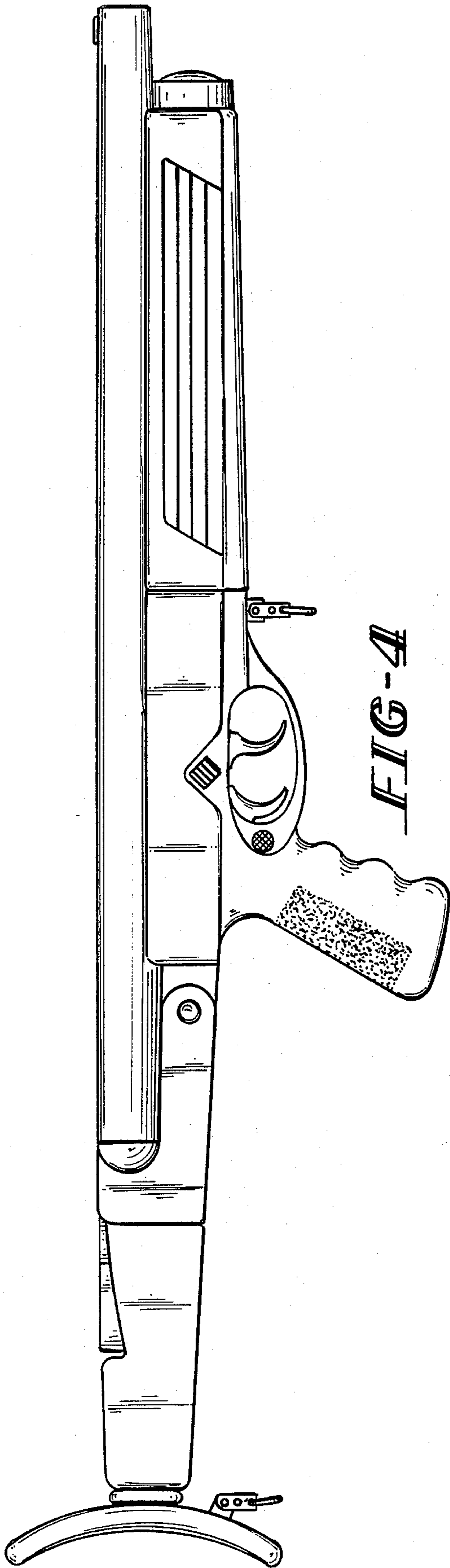
*FIG-2*



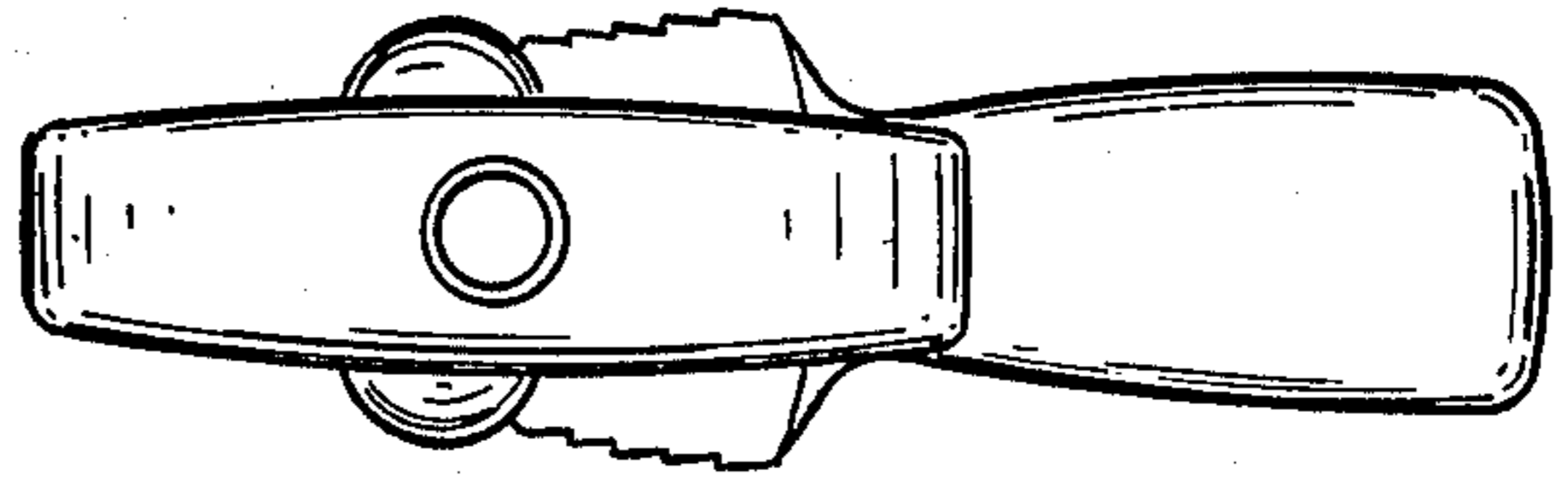
*FIG-1*



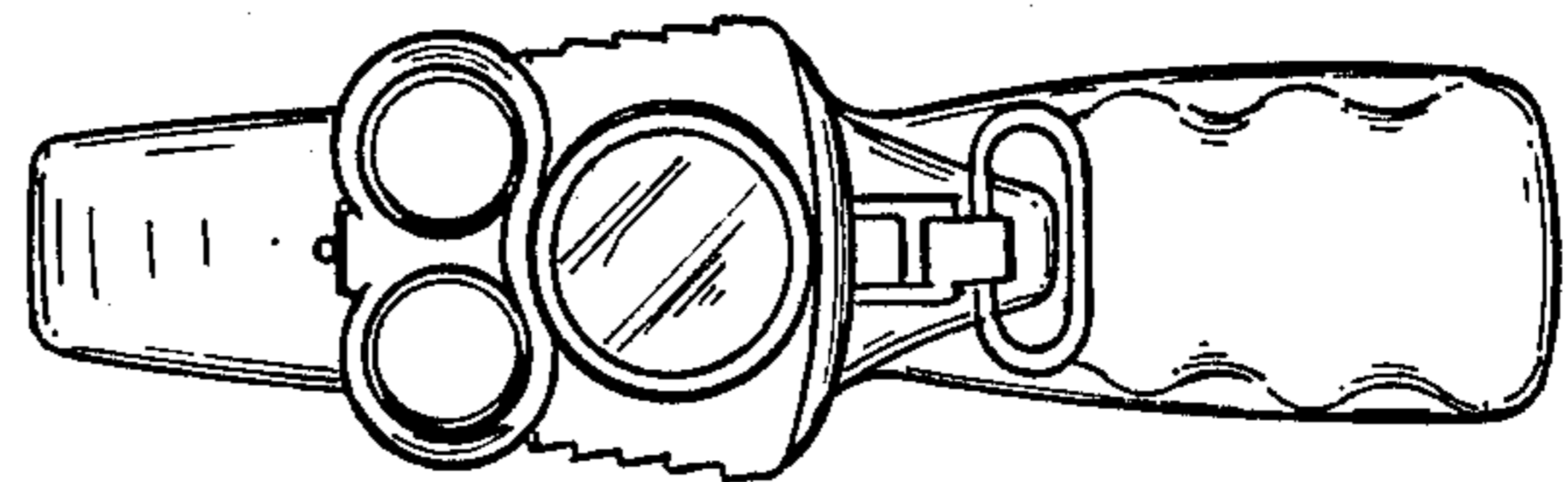
*FIG-3*



*FIG-4*



*FIG-6*



*FIG-5*