

[54] RIDING SNOW SKI

[76] Inventor: Arthur D. Strauss, 16 Milestone Dr., Marlborough, Conn. 06447

[**] Term: 14 Years

[21] Appl. No.: 104,668

[22] Filed: Oct. 5, 1987

[52] U.S. Cl. D21/229; D12/10

[58] Field of Search D21/229-230; D12/10; 280/809, 602, 12 R, 27, 28

[56] References Cited

U.S. PATENT DOCUMENTS

D. 93,132	8/1934	Richards	D21/229
D. 280,120	8/1985	Decker	D21/229
D. 291,427	8/1987	Schaller et al.	D21/229
3,003,778	10/1961	Taggart	D21/229

3,297,334	1/1967	Jenks	D21/229
3,744,811	7/1973	Johnston	D21/229

Primary Examiner—Charles A. Rademaker
Attorney, Agent, or Firm—Chilton, Alix & Van Kirk

[57] CLAIM

The ornamental design for a riding snow ski, as shown and described.

DESCRIPTION

FIG. 1 is a front perspective view of a riding snow ski showing my new design;
FIG. 2 is a side elevational view thereof, the side opposite being substantially a mirror image;
FIG. 3 is a front elevational view thereof shown on an enlarged scale with portions of the vertical frame broken away for ease of illustration; and
FIG. 4 is a top plan view thereof with the ski member shown in fragment.

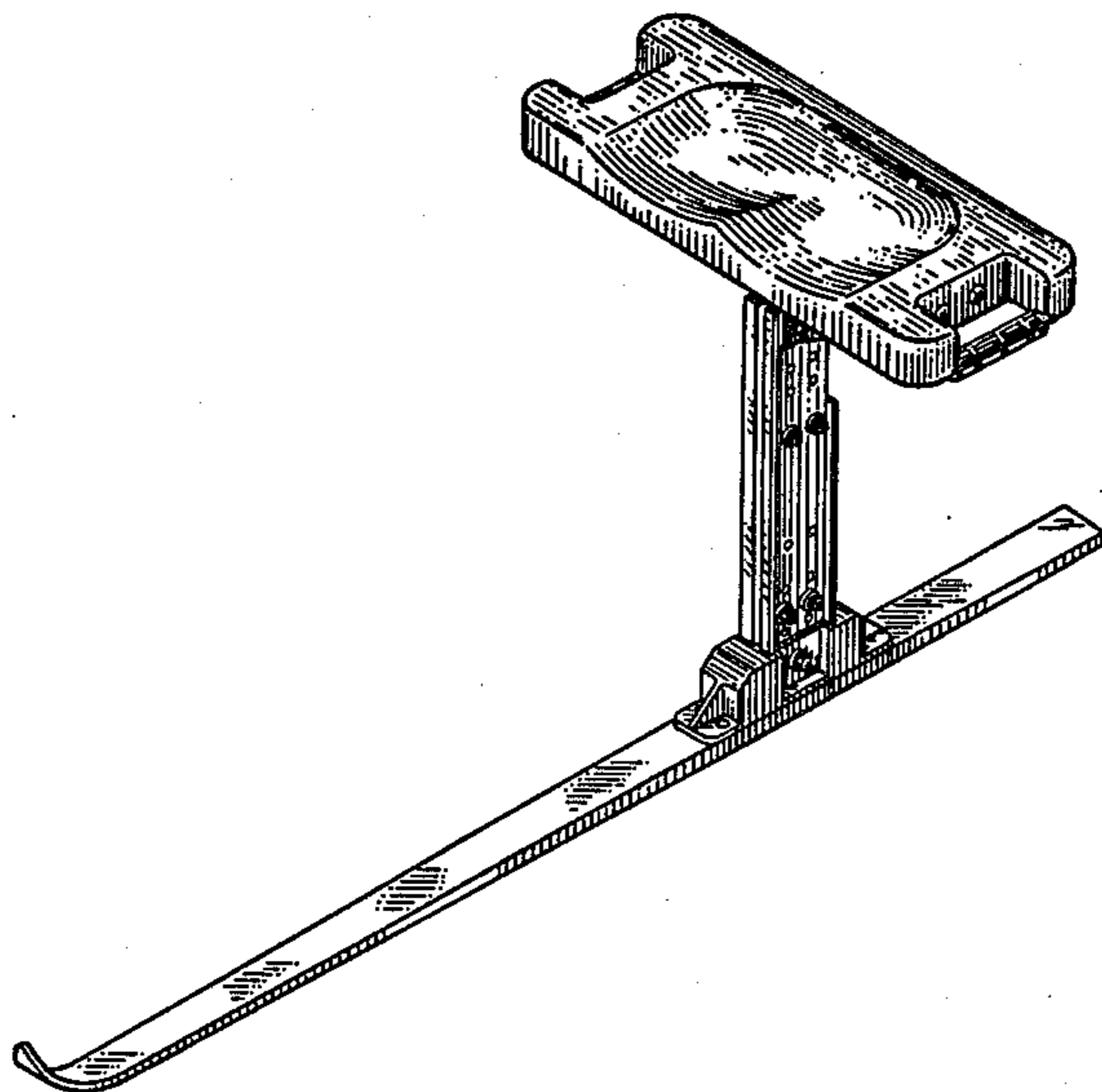


FIG. 1.

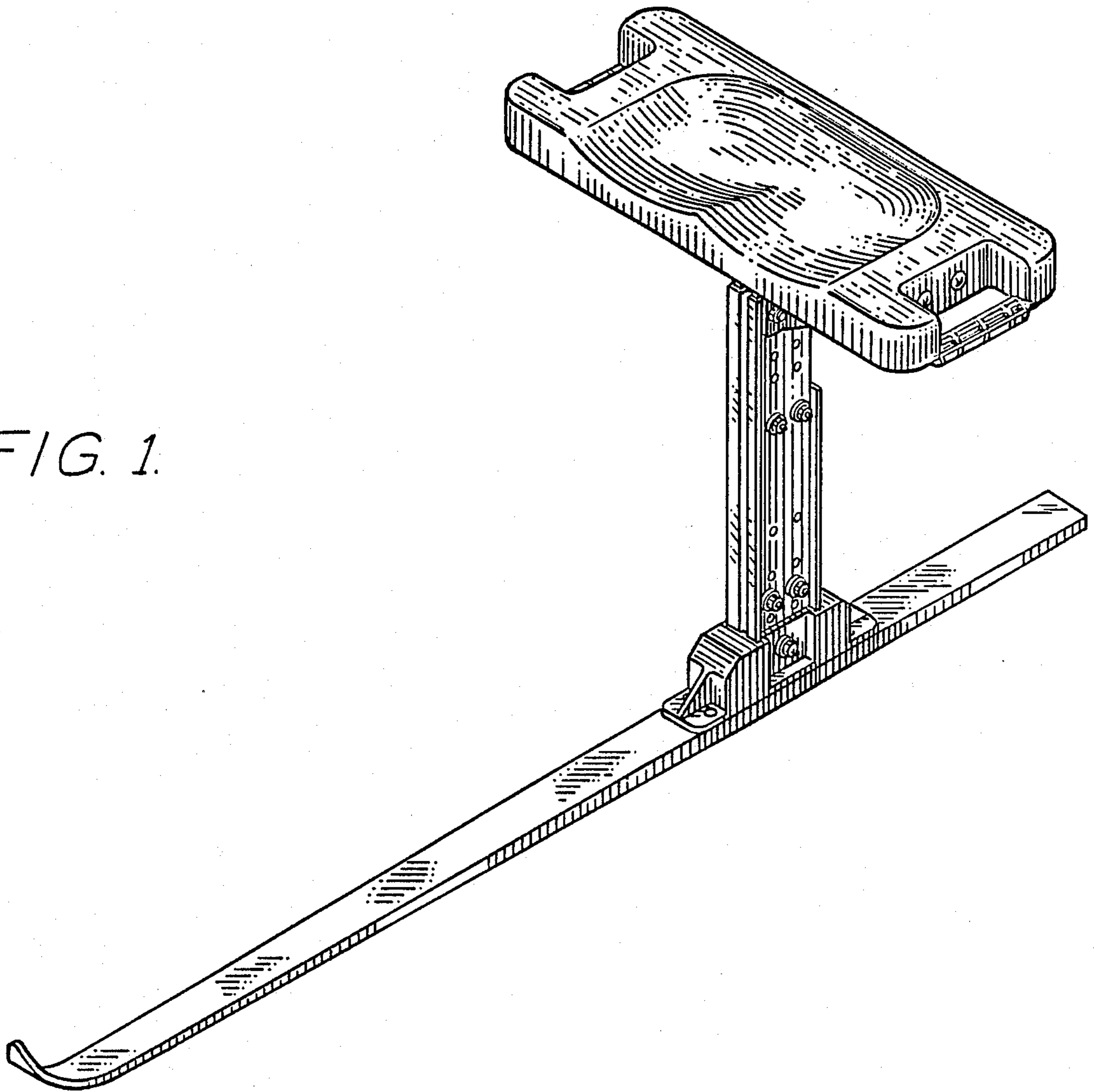
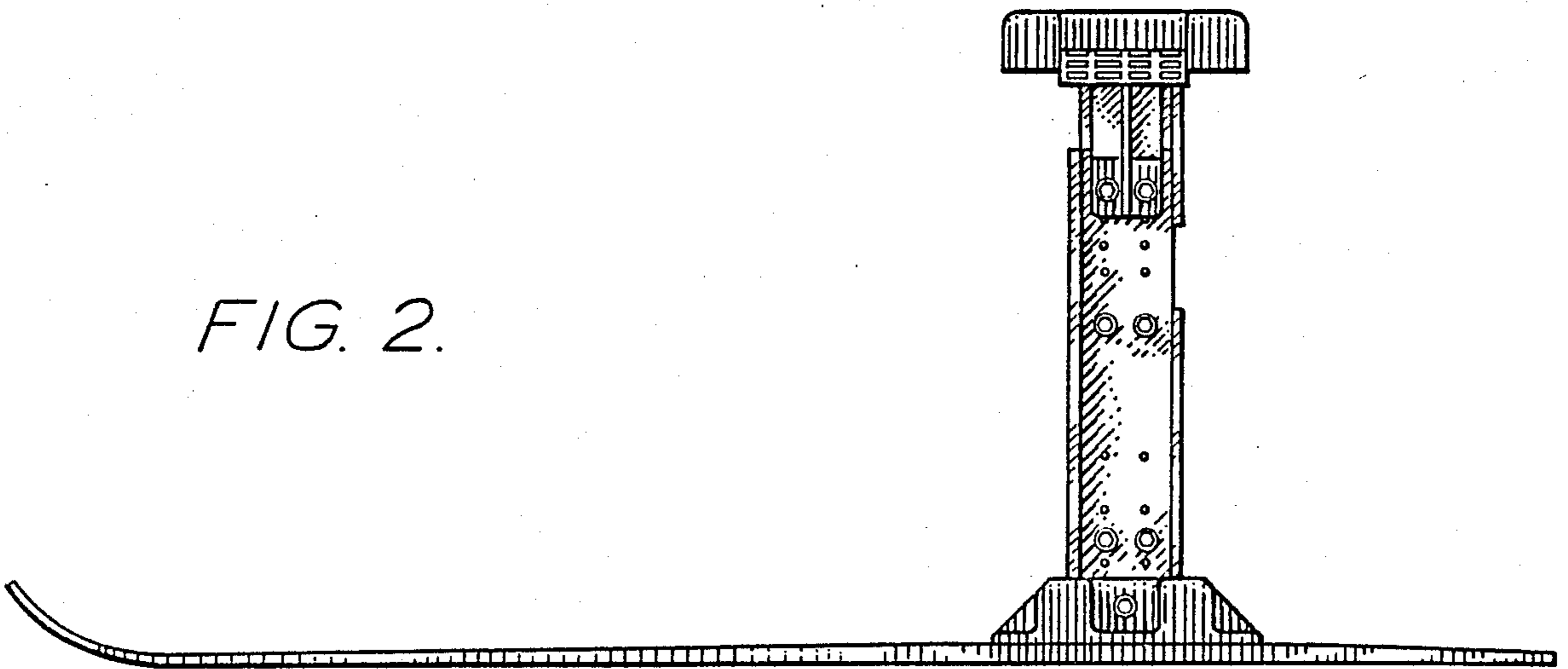


FIG. 2.



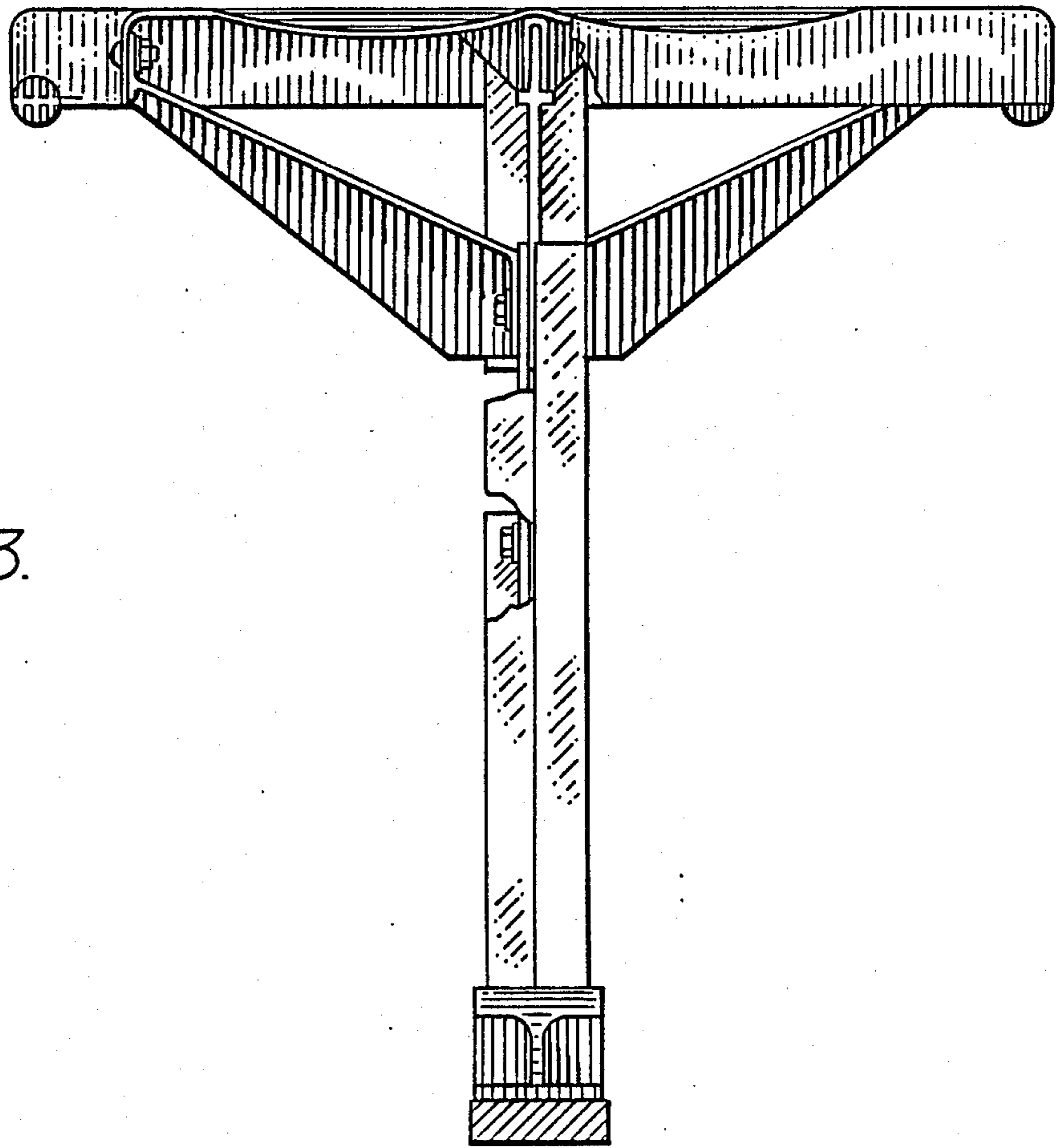


FIG. 3.

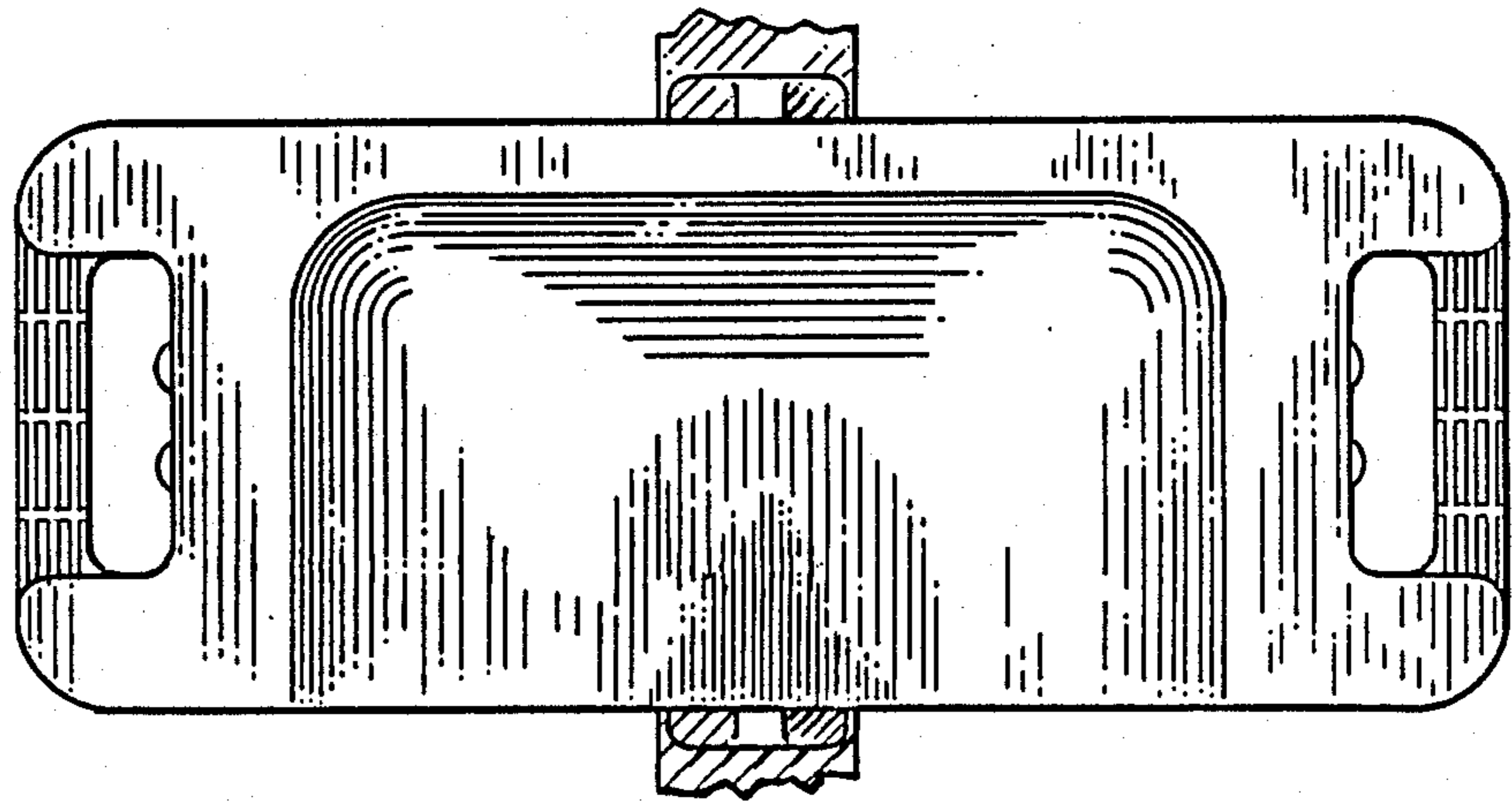


FIG. 4.