

[54] EXERCISE TREADMILL

[75] Inventors: Timothy O. Armstrong, Bellevue; Gary M. Bang, Edmonds; Kenneth G. Real, Redmond, all of Wash.

[73] Assignee: Precor Incorporated, Bothell, Wash.

[**] Term: 14 Years

[21] Appl. No.: 102,201

[22] Filed: Oct. 2, 1987

[52] U.S. Cl. D21/192

[58] Field of Search D21/191-197; 272/69

[56] References Cited

U.S. PATENT DOCUMENTS

D. 207,541	5/1967	Hesen	D34/5
D. 211,801	7/1968	Quinton	D34/5
D. 219,744	1/1971	Hesen	D21/192
D. 232,446	8/1974	Townsend	D21/192
D. 270,555	9/1983	Ogden	D21/192
D. 273,029	3/1984	Kullenberg	D21/192
D. 280,002	8/1985	Smith	D21/192
D. 283,239	4/1986	Smith et al.	D21/192
D. 291,821	9/1987	Kiiski	D21/192
3,731,917	5/1973	Townsend	D21/192
4,635,927	1/1987	Sho	272/69
4,643,818	2/1987	Bart	272/69
4,749,181	6/1988	Pittaway et al.	272/69

OTHER PUBLICATIONS

Portions of an advertising brochure distributed by the Burdick Corporation illustrating the models TMS-300 and TMS-400 treadmills.

An advertising sheet illustrating the ICR Whispermill treadmill distributed by Instruments for Cardiac Research, Inc.

Portions of an advertising brochure distributed by Haden Industries, Inc. illustrating the Haden Woodway treadmill.

Portions of an advertising brochure distributed by Universal/Kidde, Inc., illustrating treadmills marketed under the designations Tredex Nos. 2902, 2903, 2904, 2905 and 2921.

Advertising information distributed by Fitness Equip-

ment illustrating treadmills marketed under the designations Marathon 1000, 3000, 5000, 5000E and 7000.

Advertising material distributed by MacLevy Products Corp. illustrating various treadmills marketed under the designations "Jog Master," Jog-O-Matic, Cardio Fitness and Tunturi.

Advertising material distributed by MGI Fitness Systems illustrating treadmill models 23N and 23P.

Advertising material distributed by Marquette Electronics, Inc. illustrating its Series 6500 modular exercise system.

Advertising materials for the Delo treadmill.

Advertising material illustrating the TM Pacer II treadmill by Ogden Health Products.

Advertising material distributed by Pacer Industries, Inc. illustrating treadmill models R1, R2, R2D, R3, R3 Digital, R9 and R9 Medical.

Advertising materials distributed by Trotter Treadmills, Inc. illustrating treadmill models C22, Trotter 320 and Trotter 3100.

Advertising materials distributed by Quinton Instrument Co. illustrating treadmill models 18-49, 18-60, 24-72 and 18-54.

Portions of advertising materials distributed by MacLevy illustrating treadmill model Omni Electro Run 1553.

Primary Examiner—Charles A. Rademaker

Attorney, Agent, or Firm—Christensen, O'Connor, Johnson & Kindness

[57] CLAIM

The ornamental design for an exercise treadmill, as shown and described.

DESCRIPTION

FIG. 1 is a front perspective view of the exercise treadmill showing our new design;

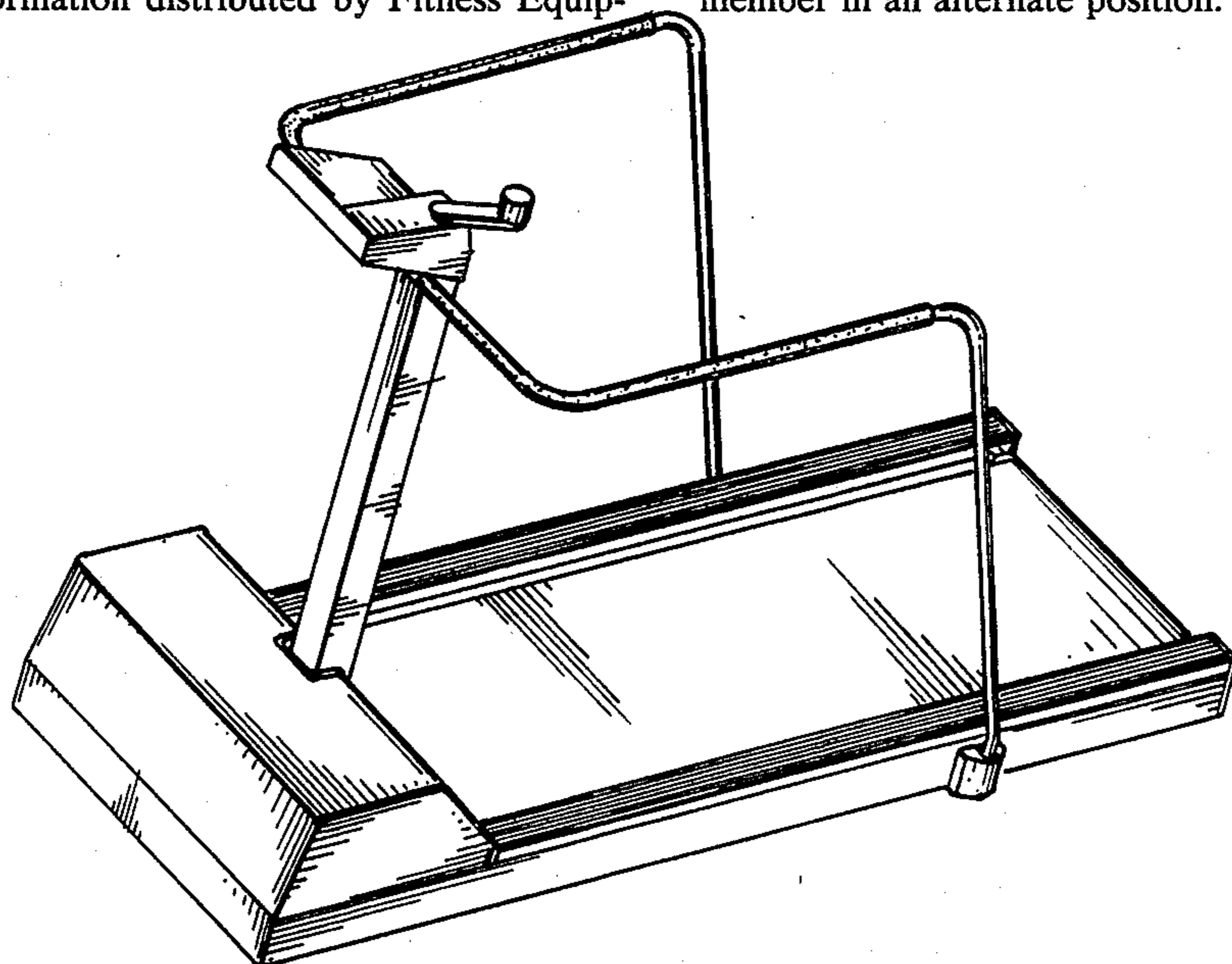
FIG. 2 is a side elevational view thereof, the side opposite being substantially a mirror image;

FIG. 3 is a top plan view thereof;

FIG. 4 is a bottom view thereof;

FIG. 5 is a front elevational view thereof; and,

FIG. 6 is a rear elevational view thereof with the roller member in an alternate position.



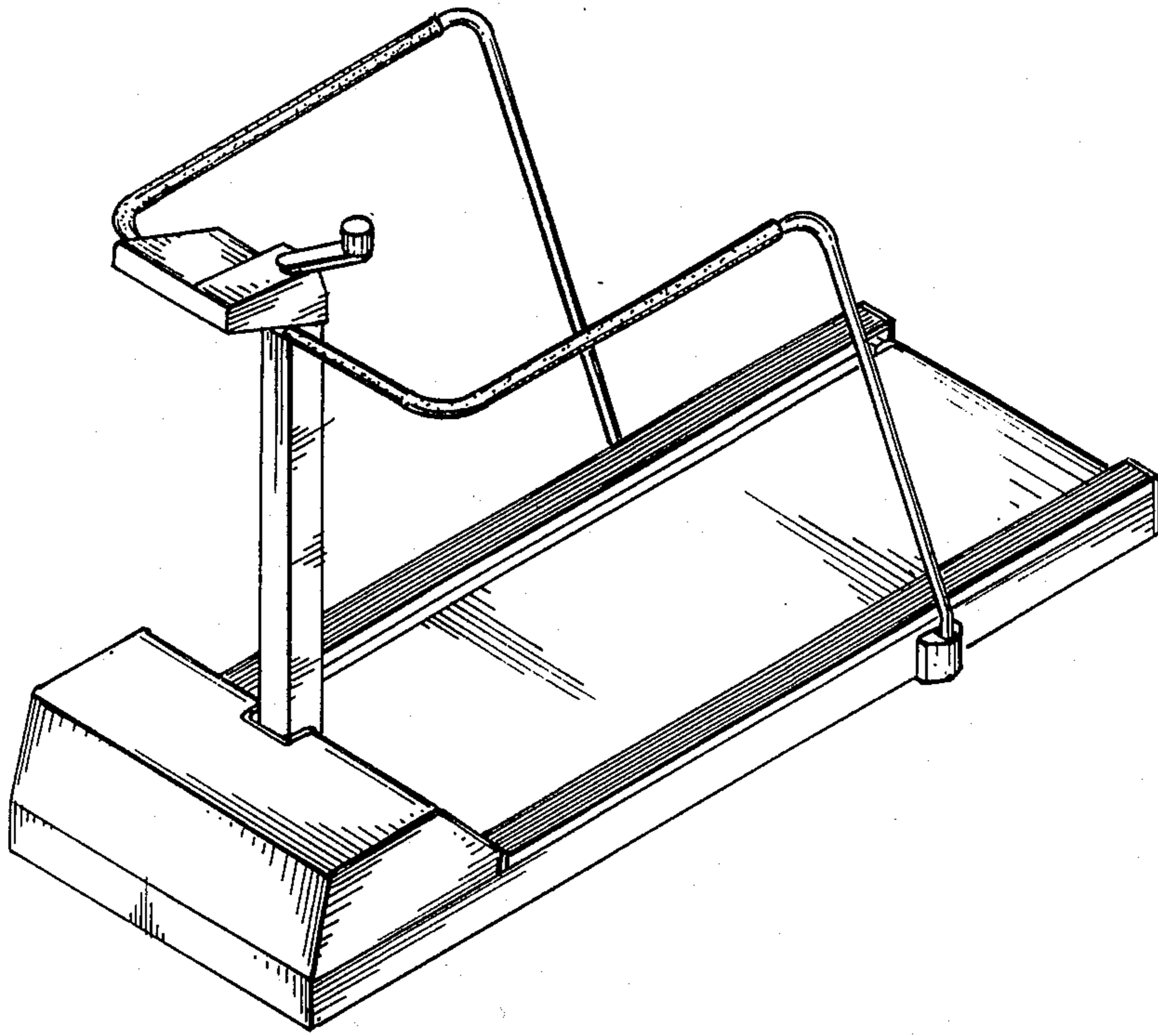


Fig. 1

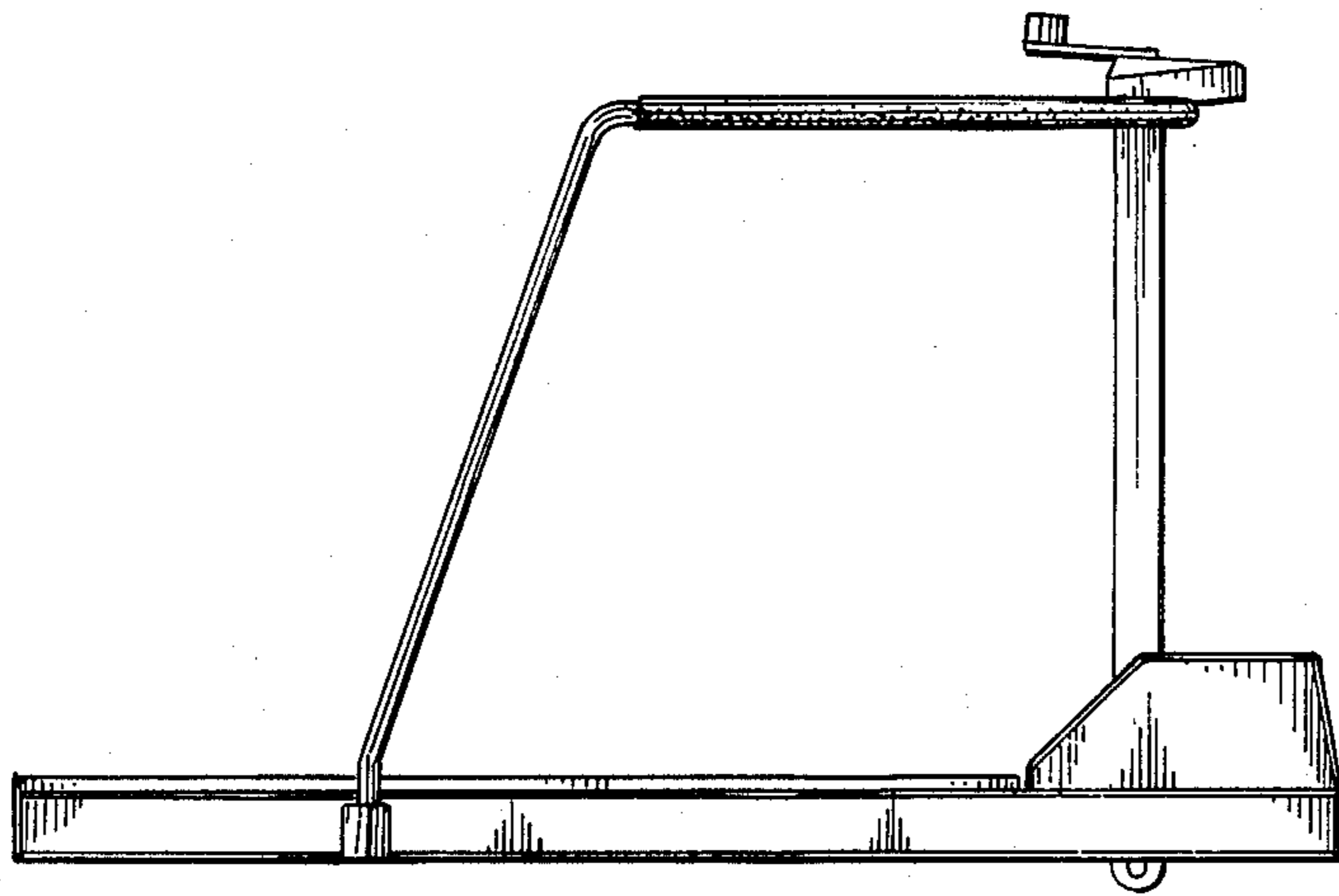


Fig. 2.

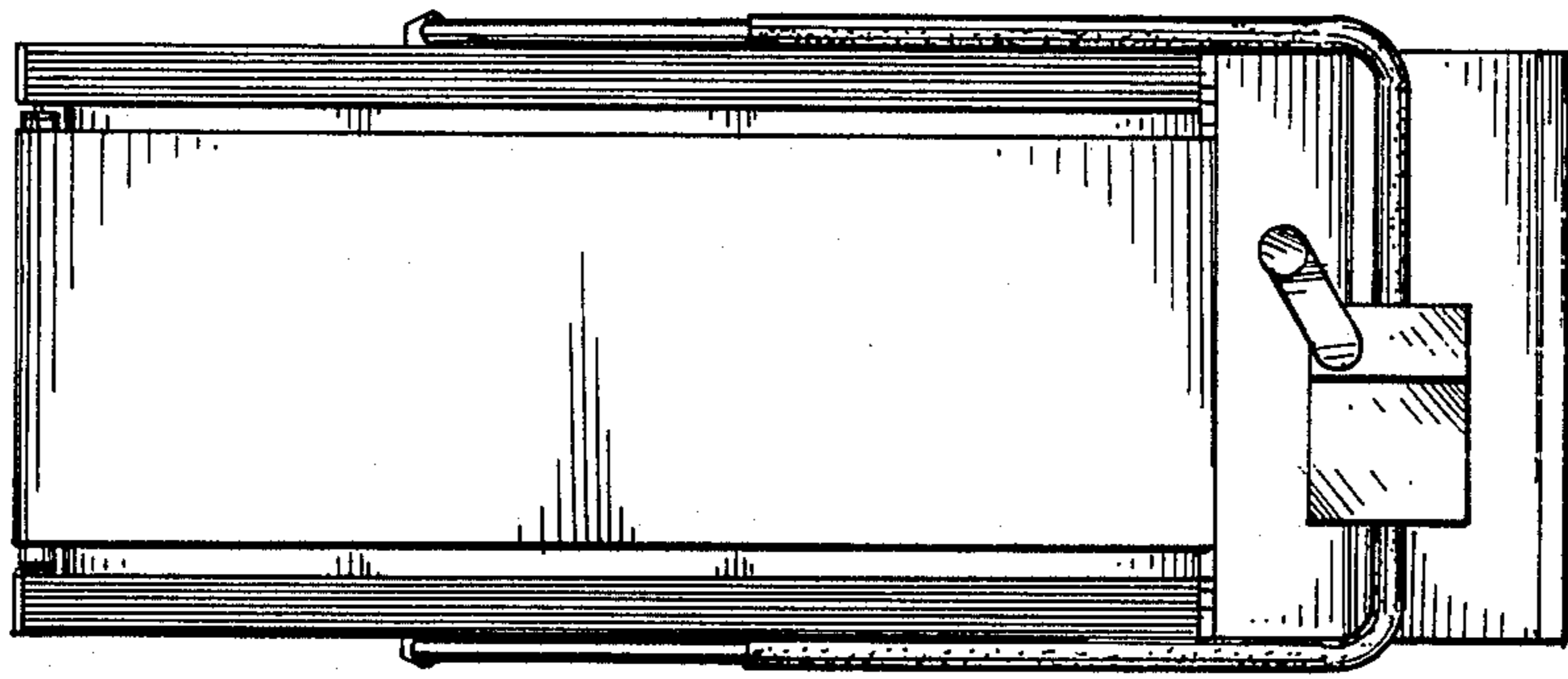


Fig. 3.

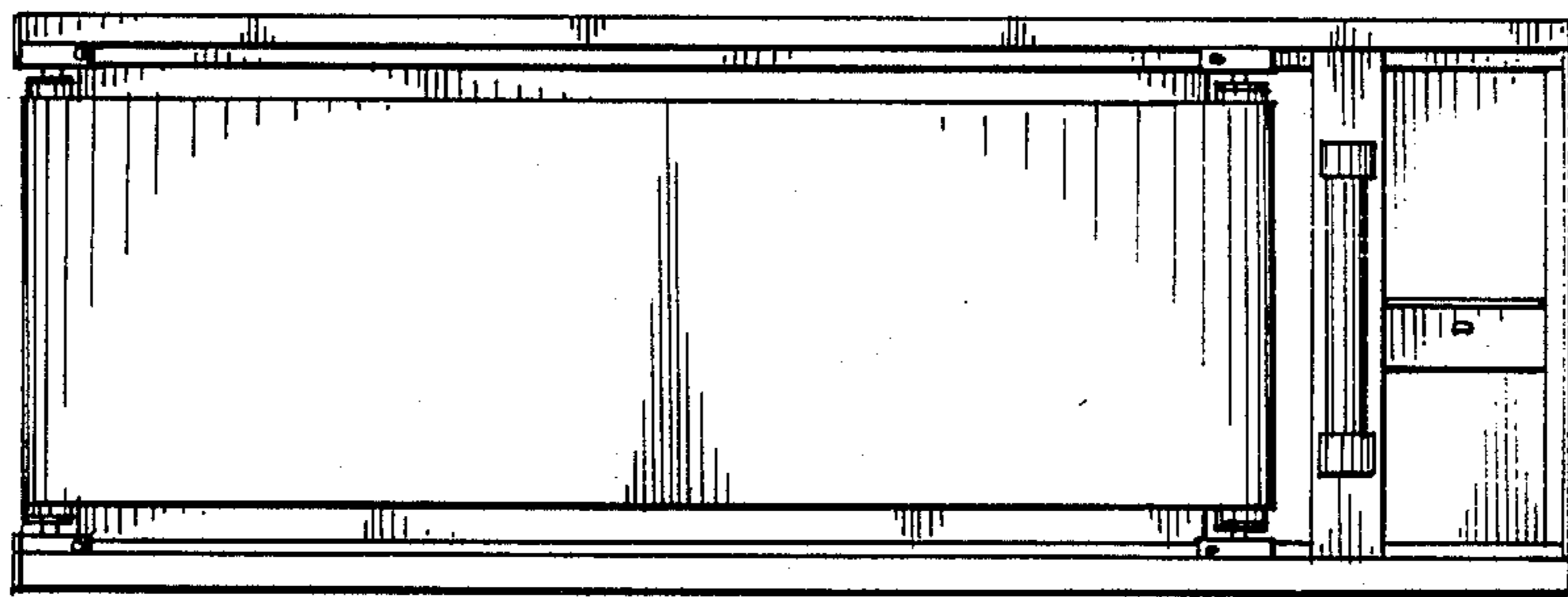


Fig. 4.

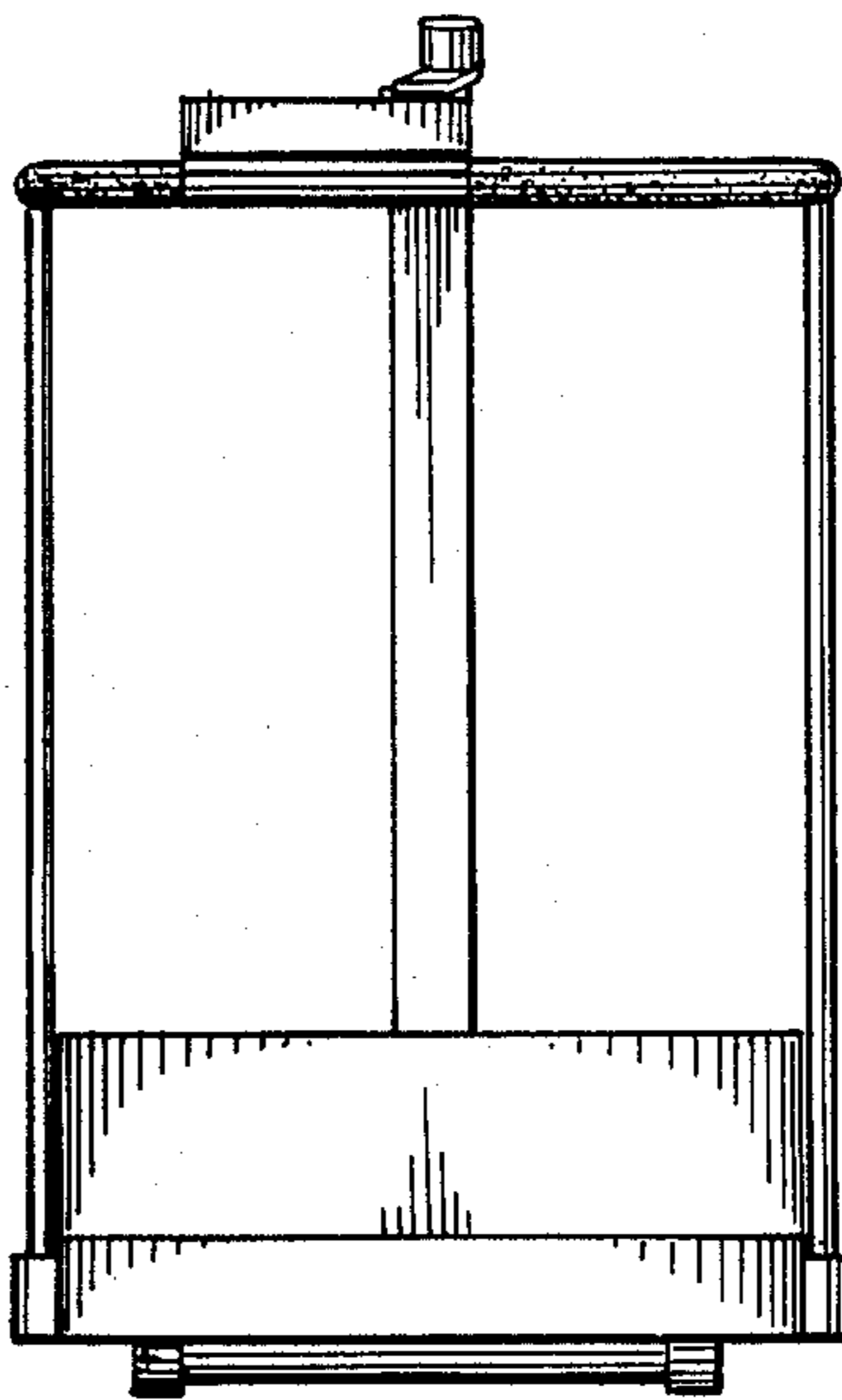


Fig. 5.

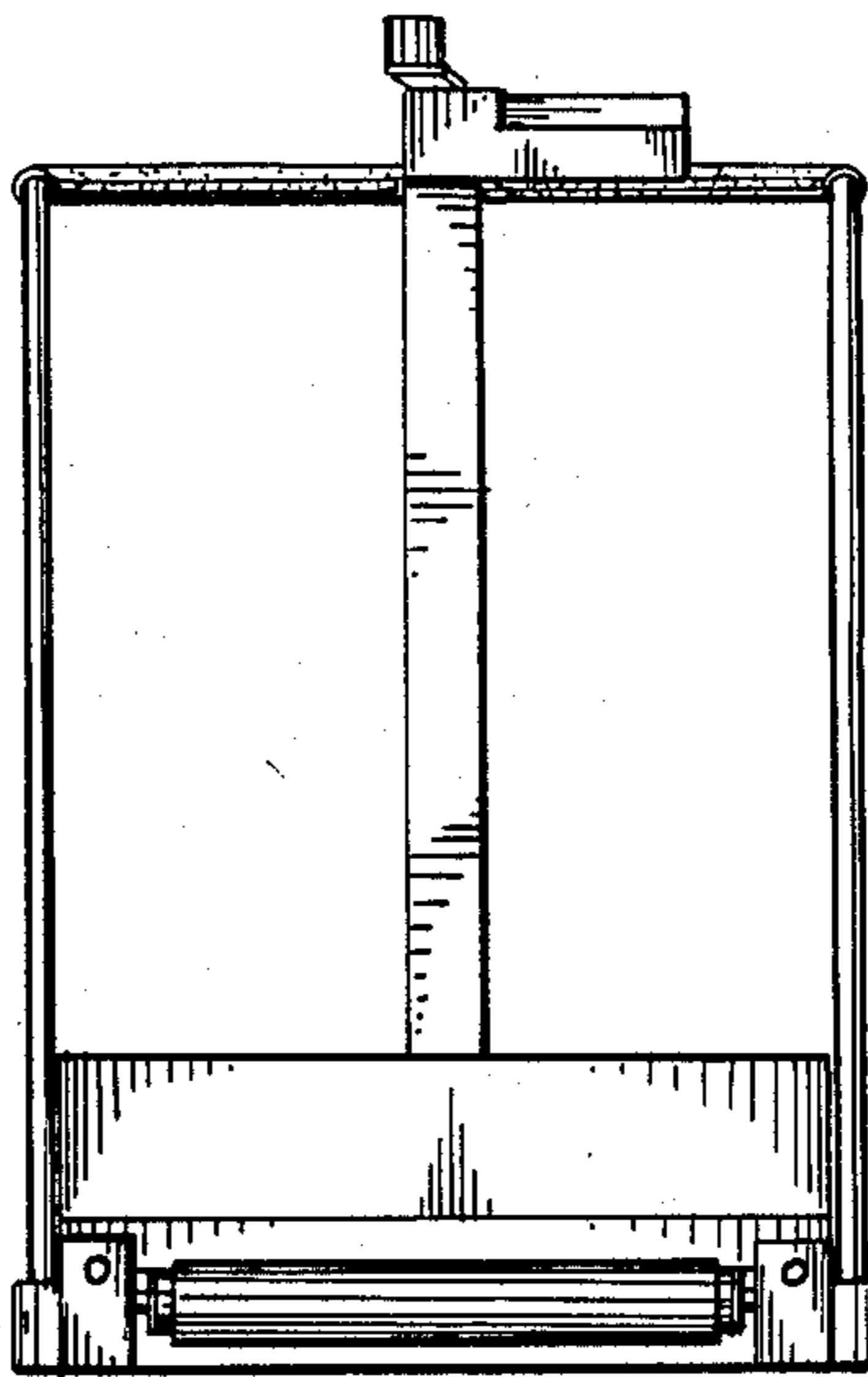


Fig. 6.