

[54] RECONFIGURABLE TANK AND JET ASSEMBLY TOY

[75] Inventor: Takashi Matsuda, Ichikawa, Japan

[73] Assignee: Takara Co., Ltd., Tokyo, Japan

[**] Term: 14 Years

[21] Appl. No.: 12,212

[22] Filed: Feb. 6, 1987

[30] Foreign Application Priority Data

Nov. 14, 1986 [JP] Japan 61-45080

[52] U.S. Cl. D21/150

[58] Field of Search D21/81-89, D21/150, 166; 446/30-31, 40-45, 61-67, 71-77, 487; D12/319-321

[56] References Cited

U.S. PATENT DOCUMENTS

D. 287,378	12/1986	Ohno	D21/150
D. 289,426	4/1987	Lim	D21/150
D. 290,625	6/1987	Li	D21/150
D. 290,630	6/1987	Kitamura	D21/150
D. 294,048	2/1988	Matsumoto	D21/87
D. 296,913	7/1988	Shibukawa	D21/150

Primary Examiner—Charles A. Rademaker
Attorney, Agent, or Firm—Price, Gess & Ubell

[57] CLAIM

The ornamental design for a reconfigurable tank and jet assembly toy, as shown and described.

DESCRIPTION

FIG. 1 is a front perspective view of reconfigurable tank and jet assembly toy showing my new design;
 FIG. 2 is a front elevational view thereof;
 FIG. 3 is a right side elevational view thereof;
 FIG. 4 is a left side elevational view thereof;
 FIG. 5 is a rear elevational view thereof;
 FIG. 6 is a top plan view thereof;
 FIG. 7 is a bottom plan view thereof;
 FIG. 8 is another front perspective view of the design shown in FIGS 1 through 7 in a humanoid robot configuration;
 FIG. 9 is a front elevational view thereof;
 FIG. 10 is a right side elevational view thereof, the side opposite being a mirror image;
 FIG. 11 is a rear elevational view thereof;
 FIG. 12 is a top plan view thereof; and
 FIG. 13 is a bottom plan view thereof.

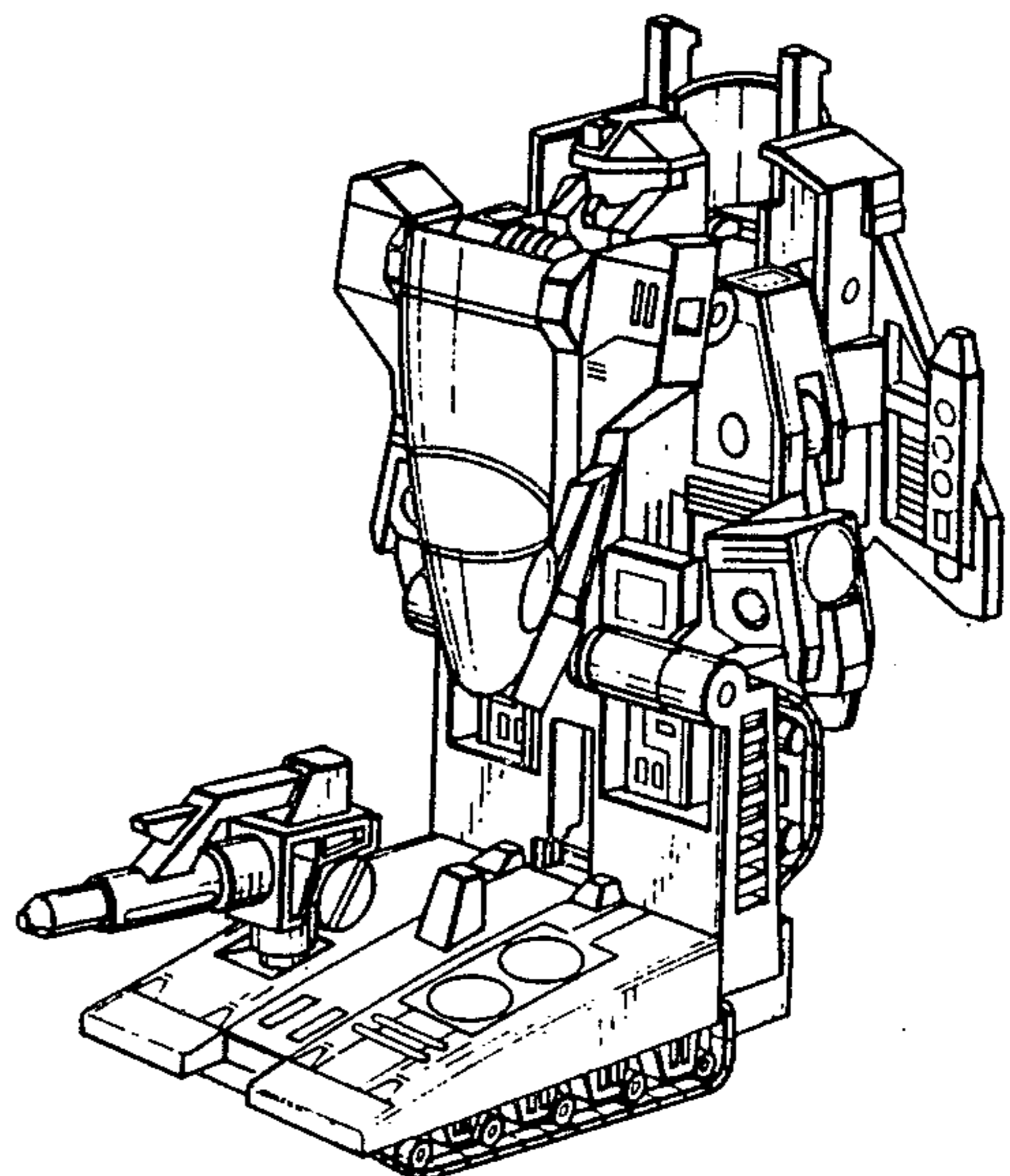
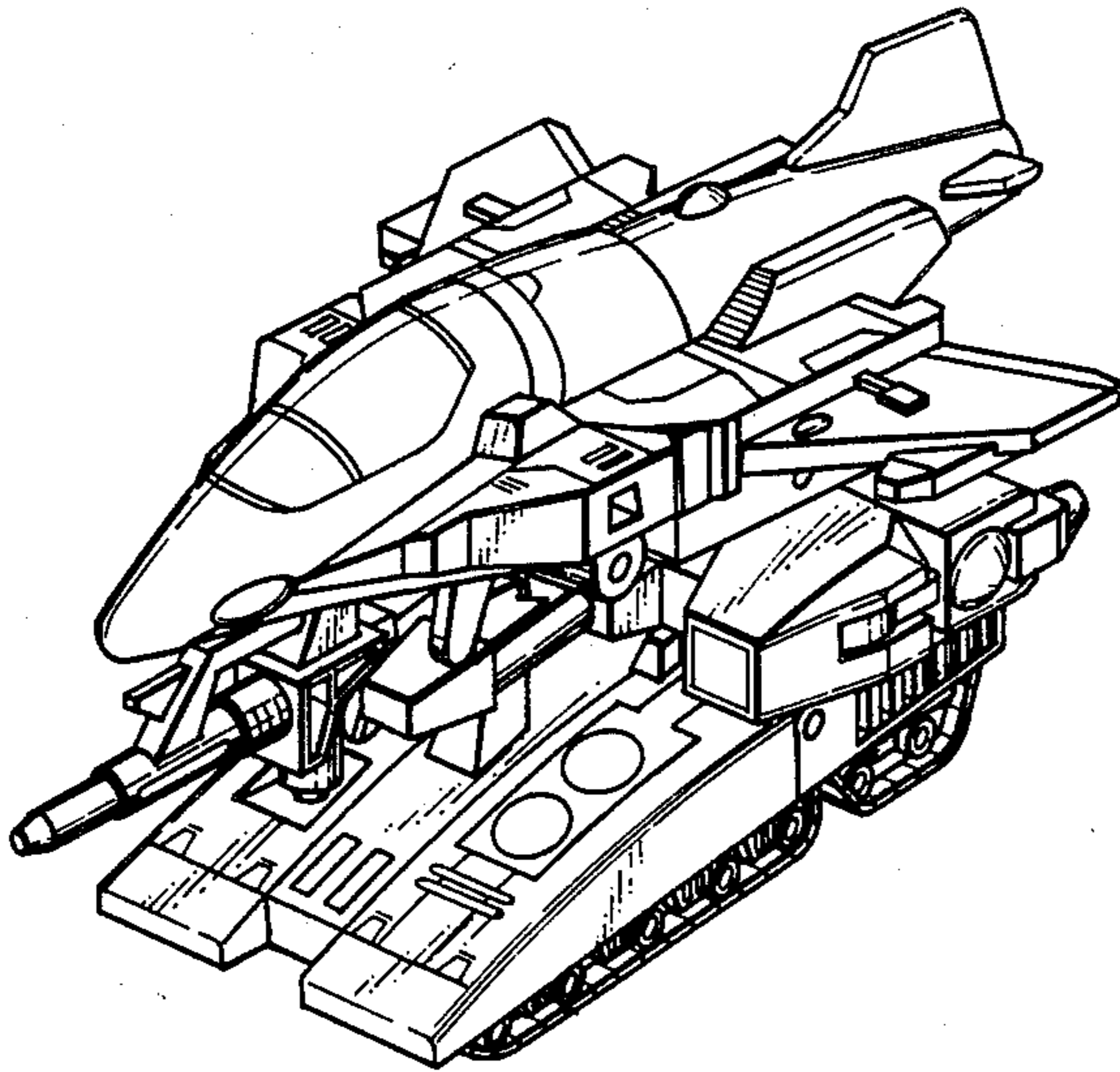


FIG. 1

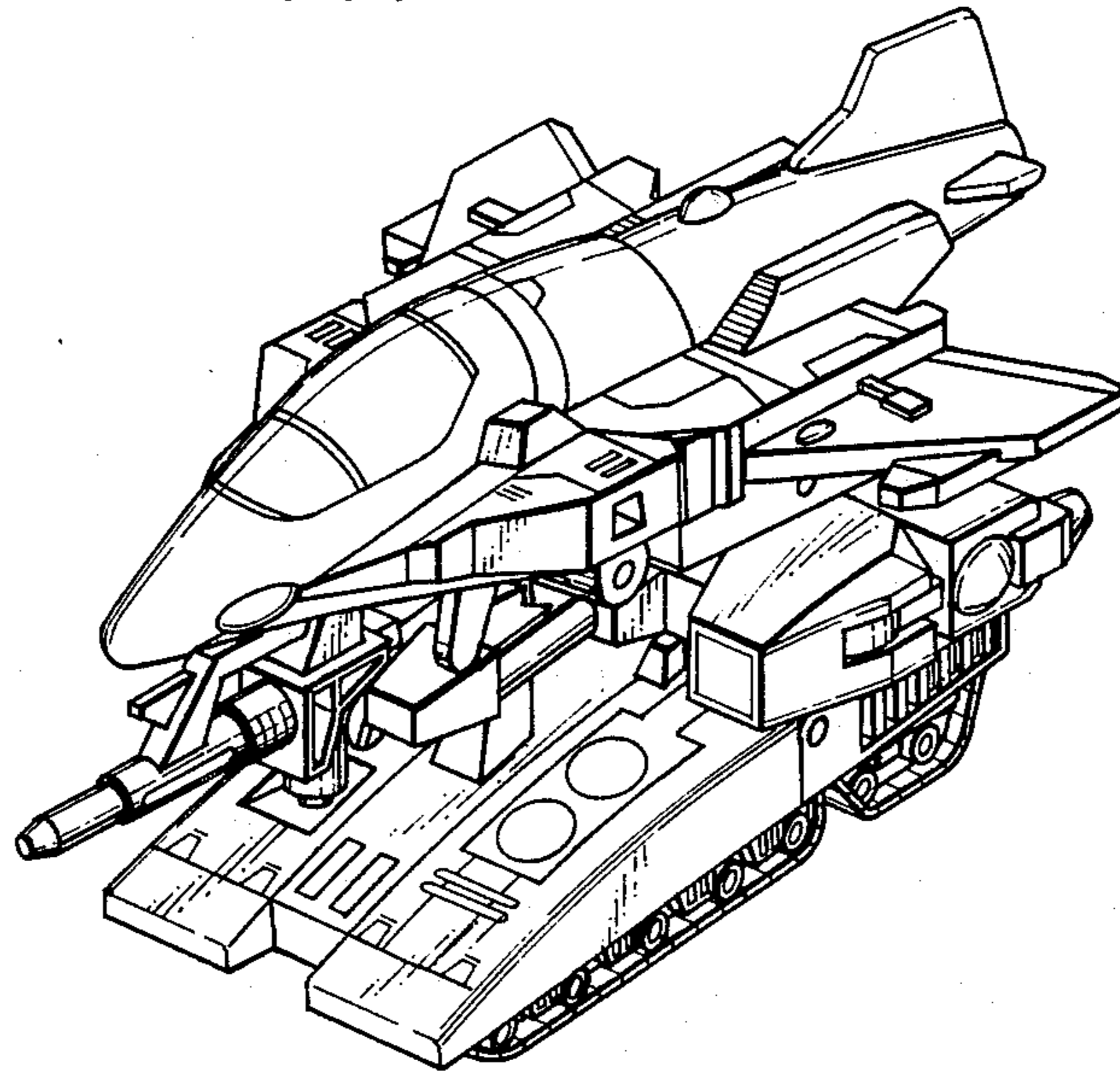


FIG. 2

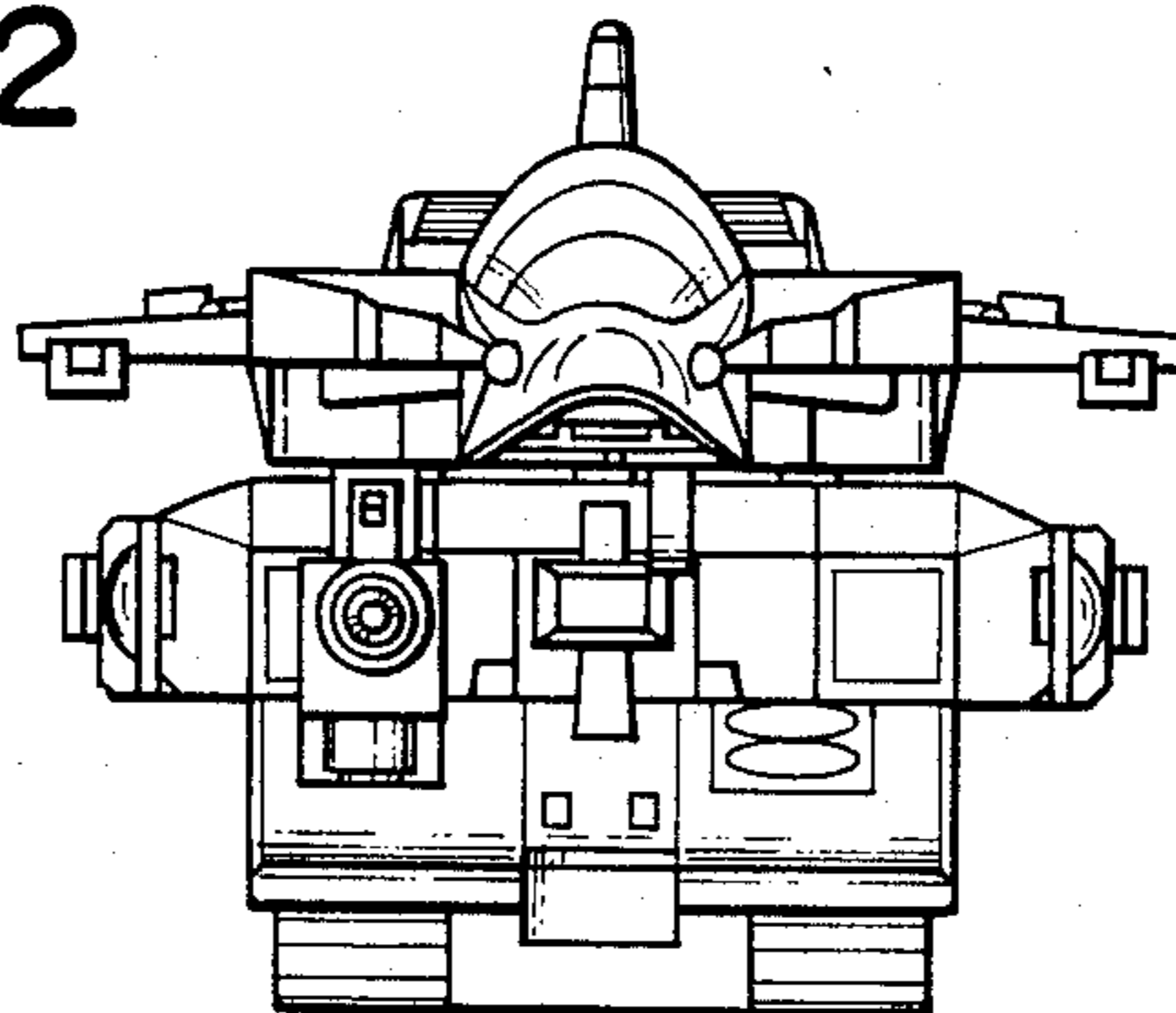


FIG. 3

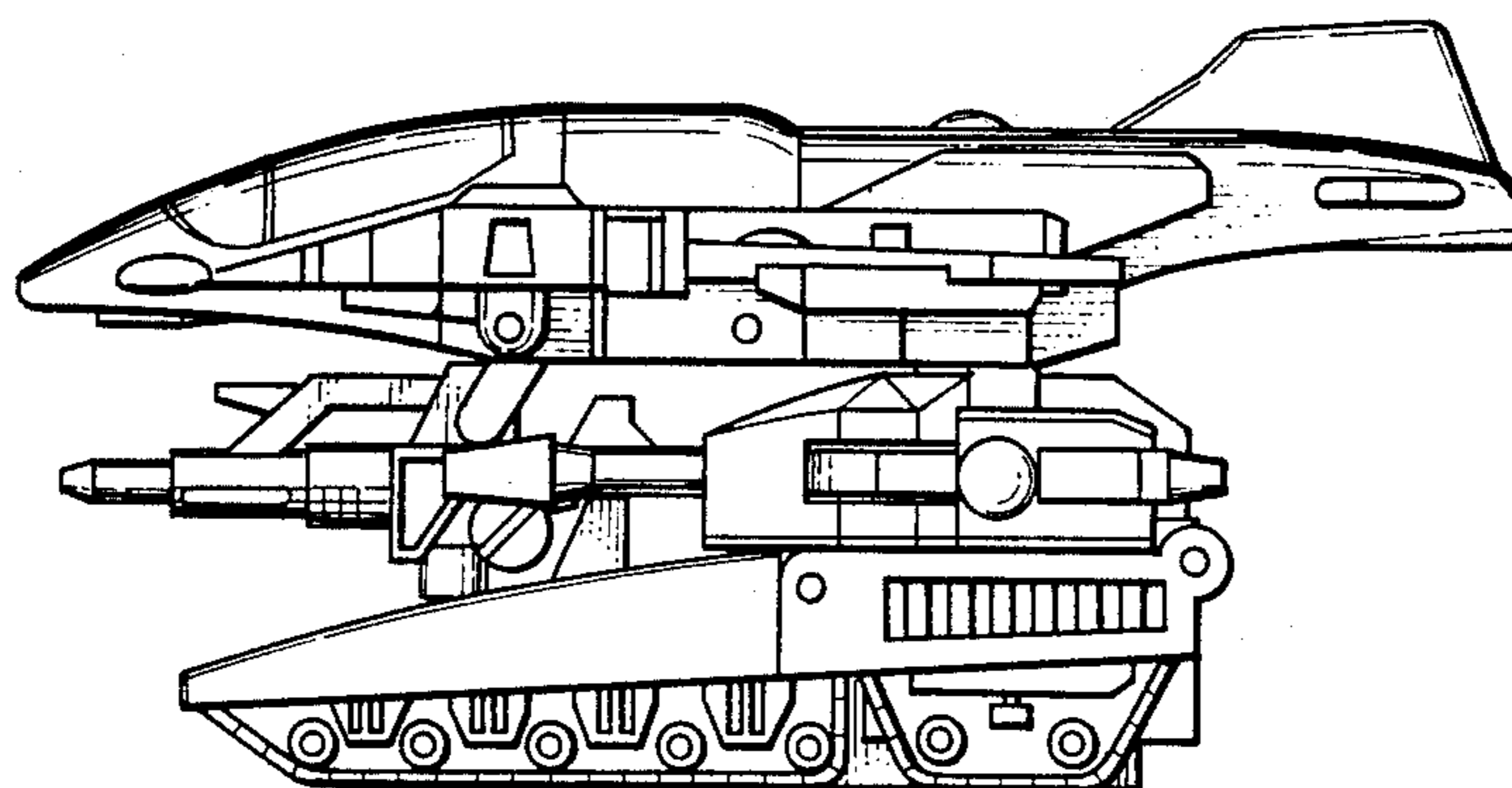


FIG. 4

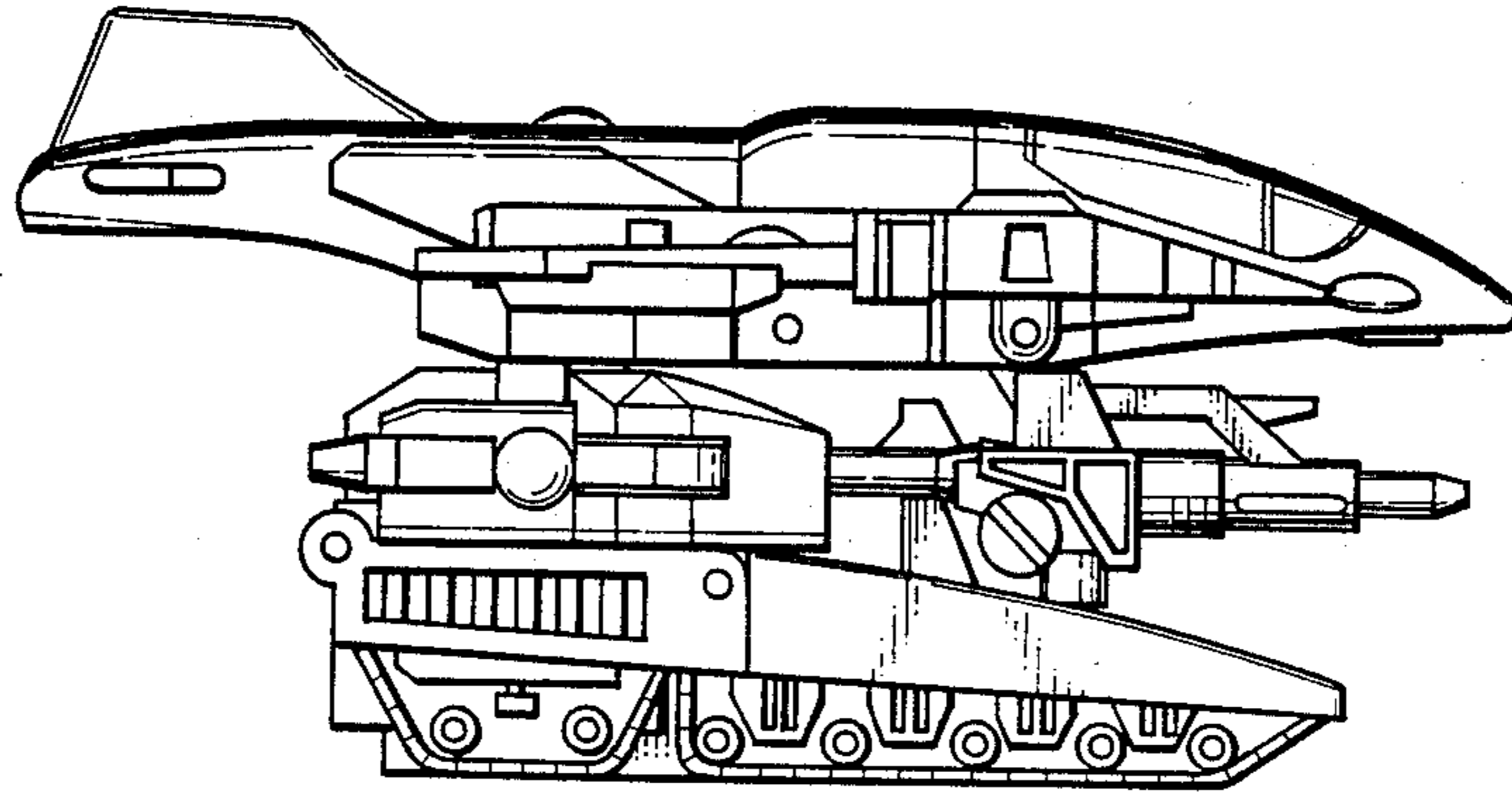


FIG. 5

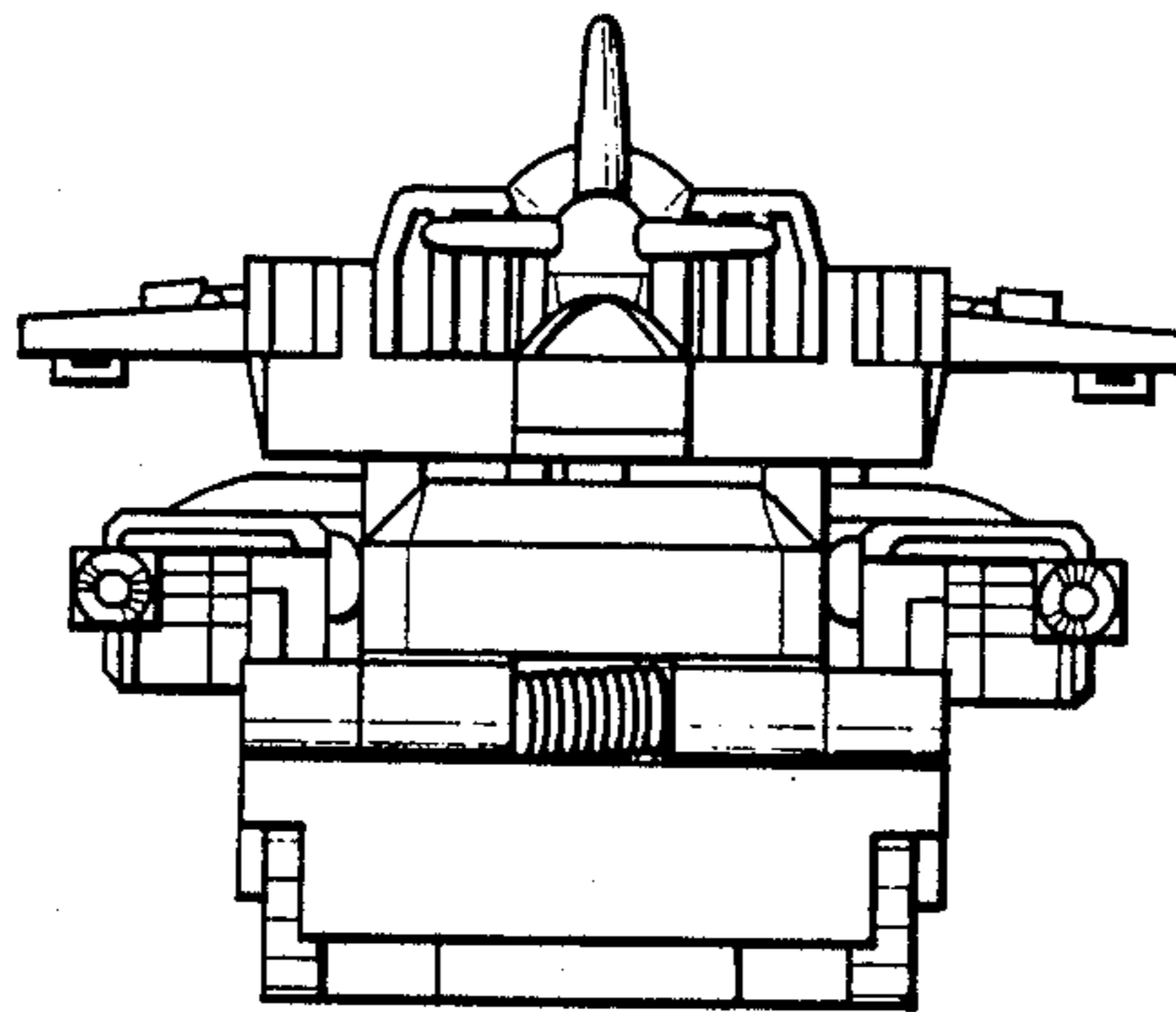


FIG. 7

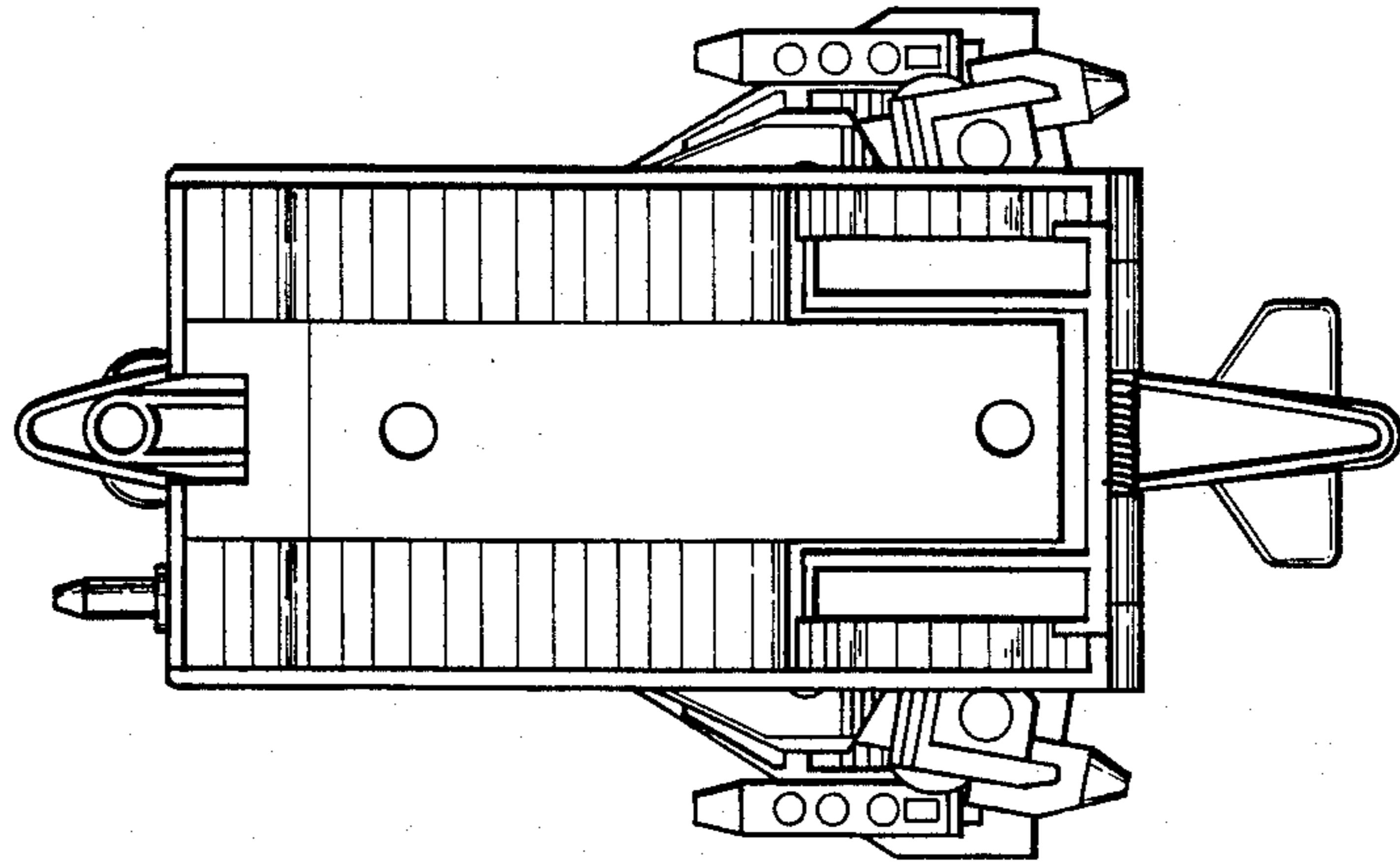


FIG. 6

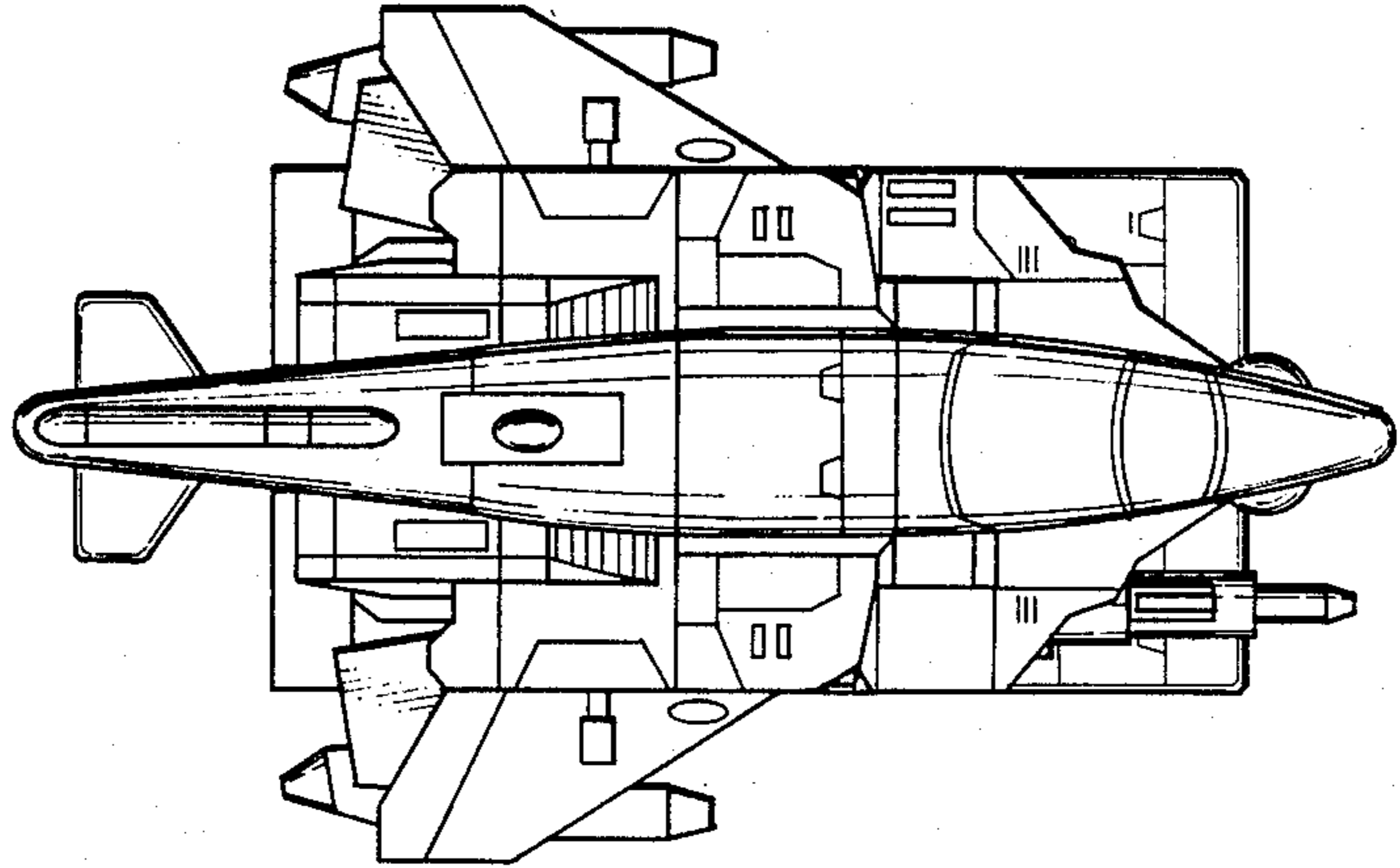


FIG. 10

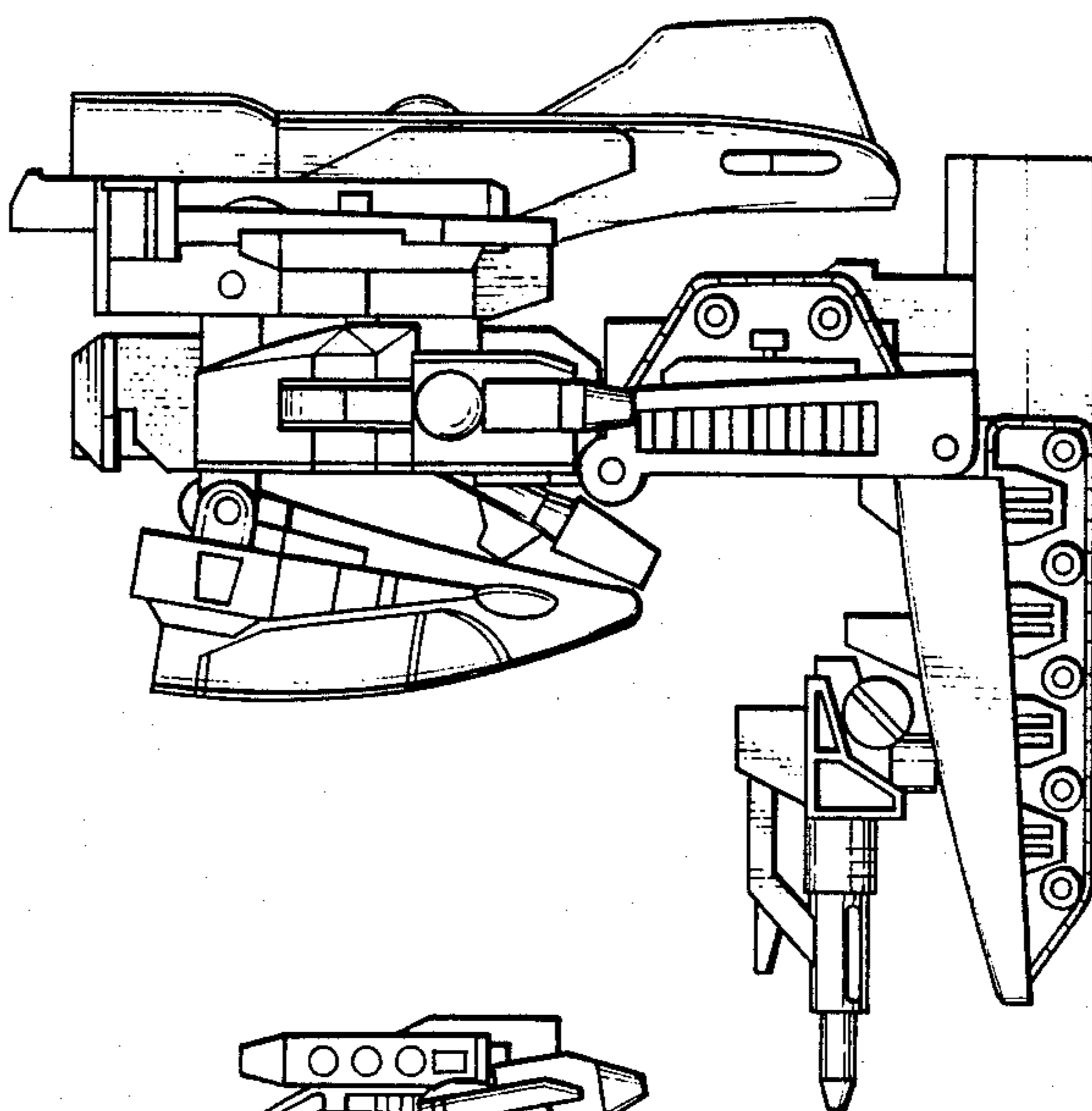


FIG. 9

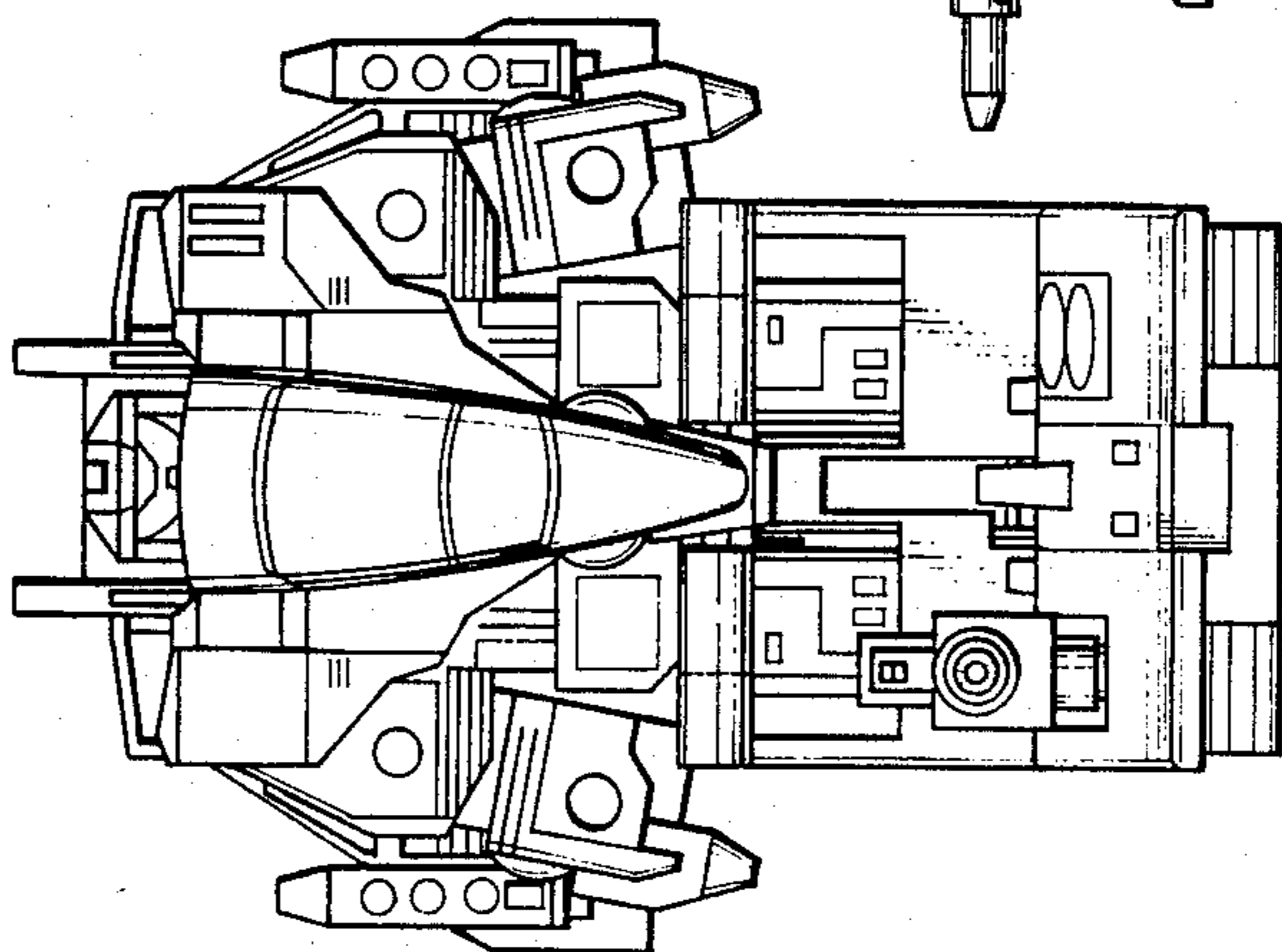


FIG. 8

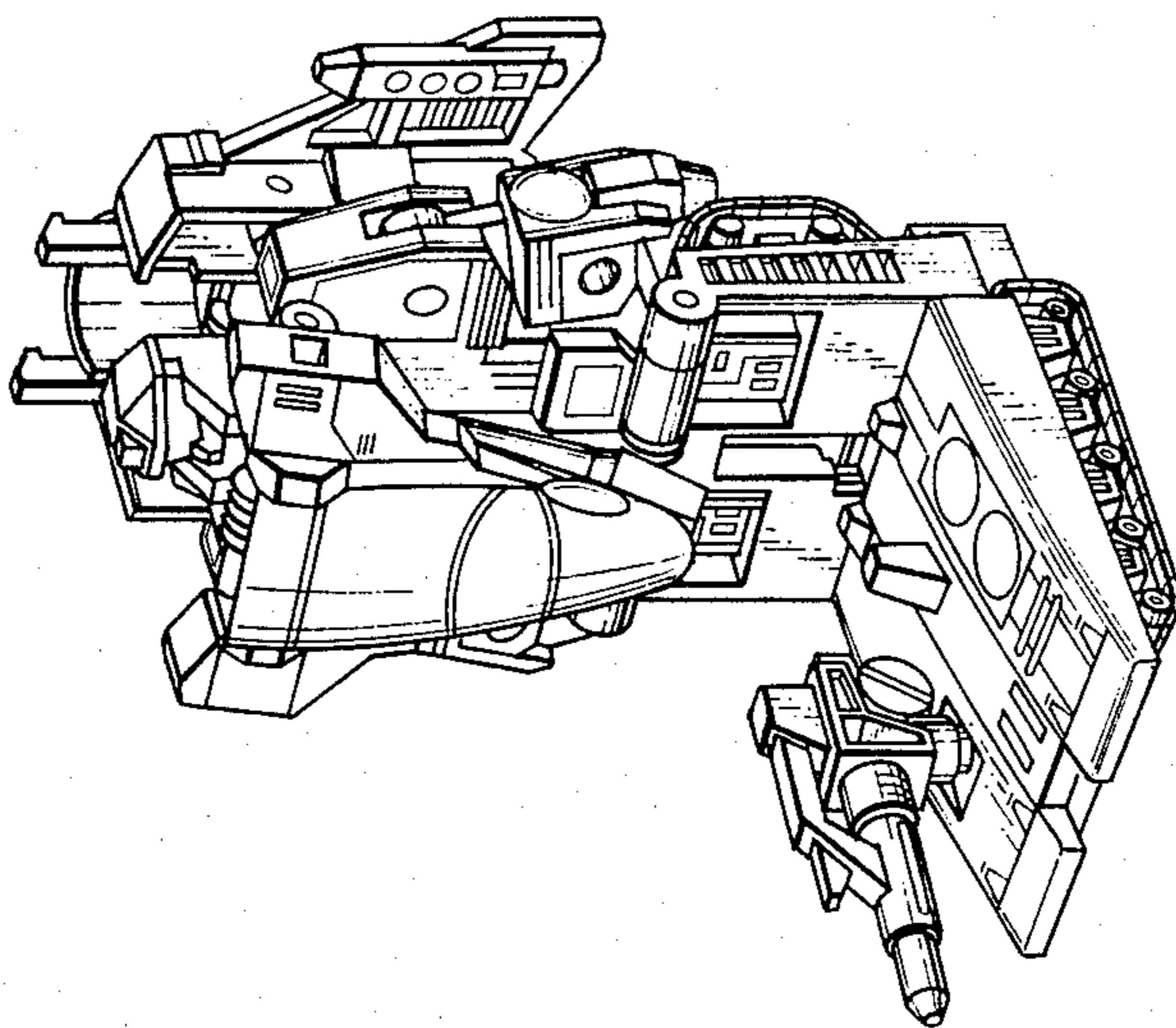


FIG.11

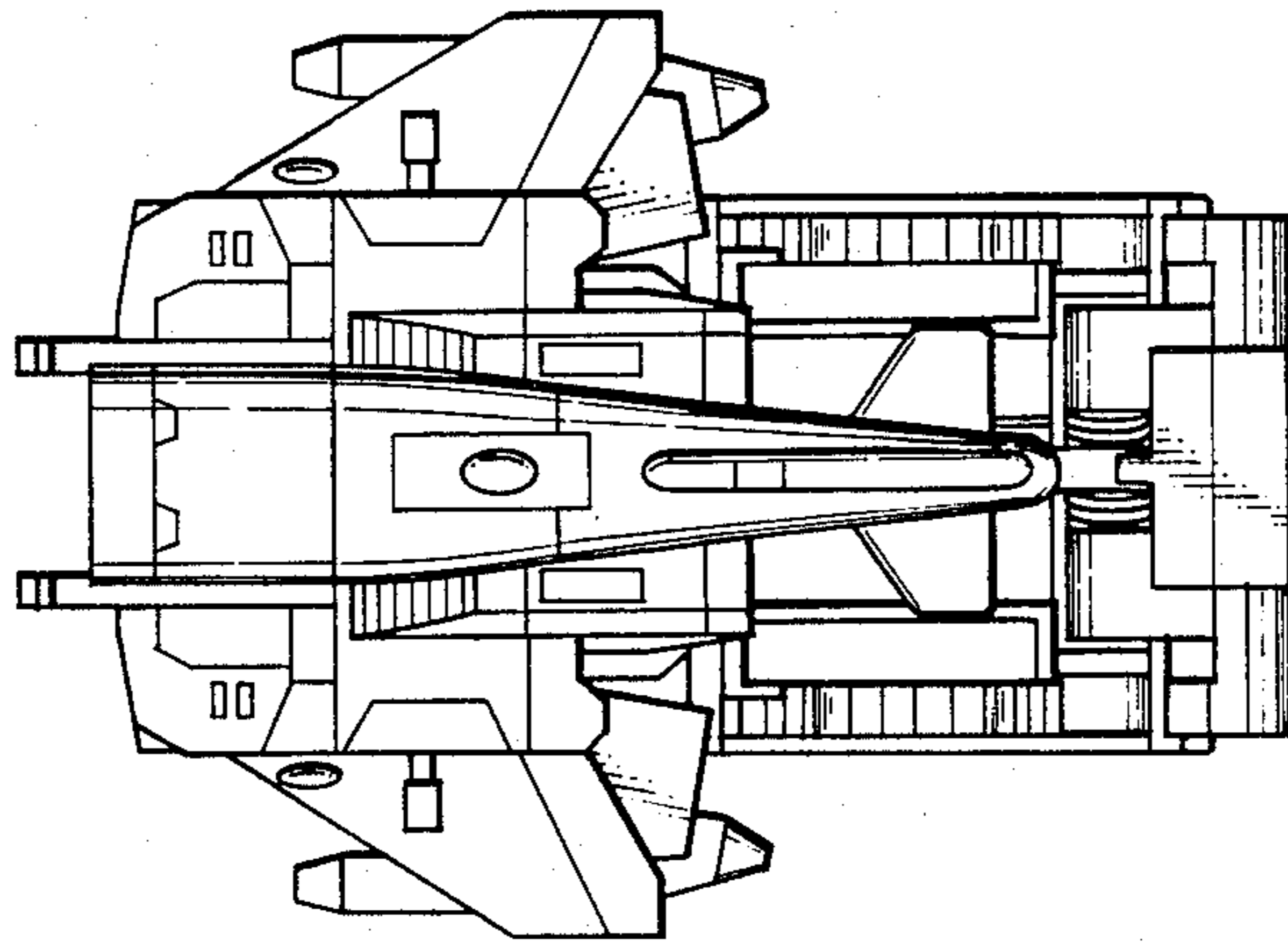


FIG.12

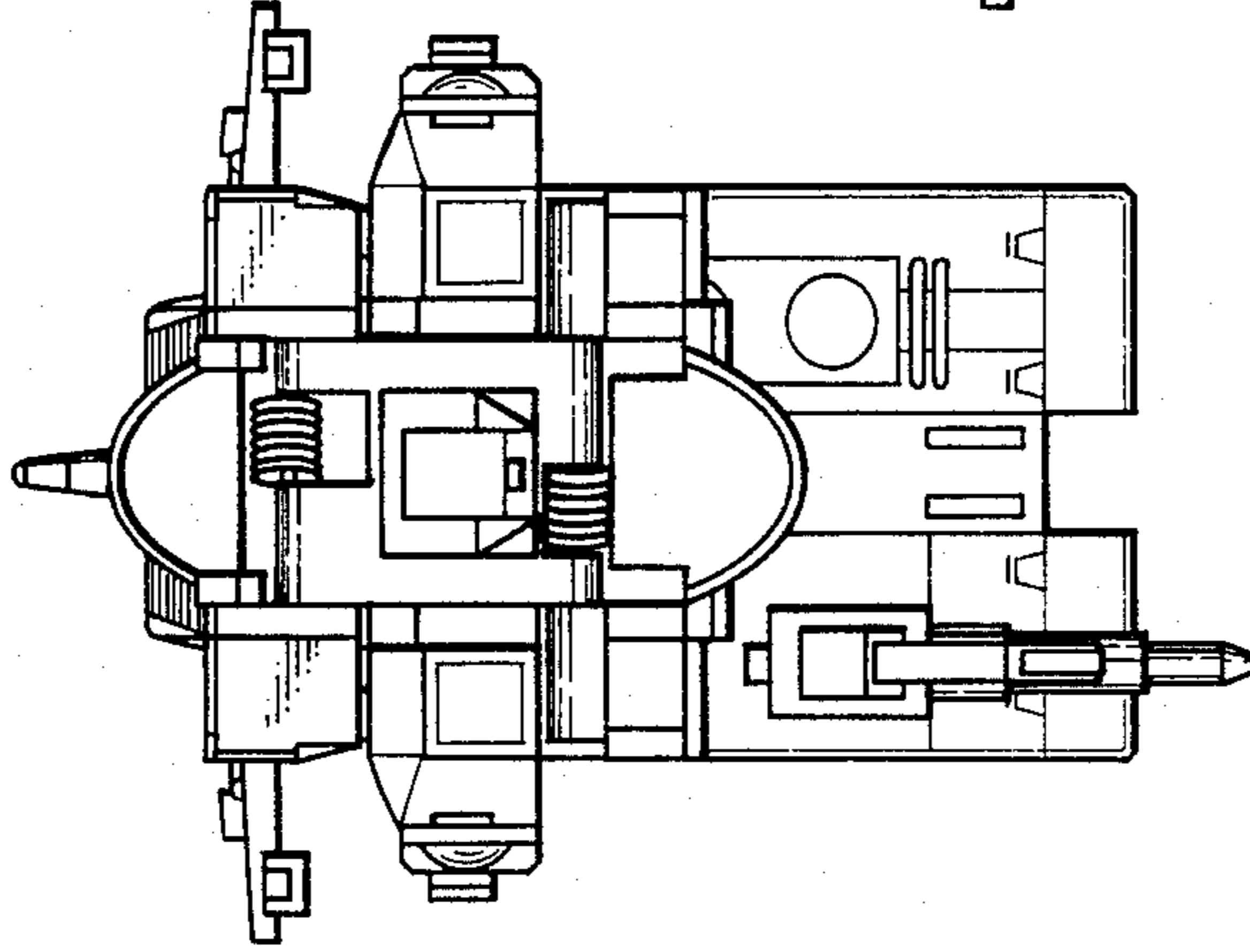


FIG.13

