

[54] **RECONFIGURABLE TOY TANK**

[75] **Inventor:** Muneyoshi Shinohara, Matsudo, Japan

[73] **Assignee:** Takara Co., Ltd., Tokyo, Japan

[**] **Term:** 14 Years

[21] **Appl. No.:** 5,402

[22] **Filed:** Jan. 20, 1987

[30] **Foreign Application Priority Data**

Nov. 18, 1986 [JP] Japan 61-45586

[52] **U.S. Cl.** D21/150; D21/131; D21/166

[58] **Field of Search** D21/59, 128, 131, 132, D21/135, 150, 136, 137, 166; 446/71, 72, 80, 88, 93, 94, 95, 96, 487

[56] **References Cited**

U.S. PATENT DOCUMENTS

D. 162,675 3/1951 Mecate et al. D21/131

D. 279,591 7/1985 Ogawa D21/128

Primary Examiner—Charles A. Rademaker

Assistant Examiner—Alicia A. Farrell
Attorney, Agent, or Firm—Price, Gess & Ubell

[57] **CLAIM**

The ornamental design for a reconfigurable toy tank, as shown and described.

DESCRIPTION

FIG. 1 is a front perspective view of a reconfigurable toy tank showing my new design;
FIG. 2 is a front elevational view thereof;
FIG. 3 is a right side elevational view thereof, the side opposite being a mirror image;
FIG. 4 is a rear elevational view thereof;
FIG. 5 is a top plan view thereof;
FIG. 6 is a bottom plan view thereof;
FIG. 7 is another front perspective view of the design shown in FIGS. 1 through 6 in a humanoid robot configuration;
FIG. 8 is a front elevational view thereof;
FIG. 9 is a right side elevational view thereof, the side opposite being a mirror image;
FIG. 10 is a rear elevational view thereof;
FIG. 11 is a top plan view thereof; and
FIG. 12 is a bottom plan view thereof.

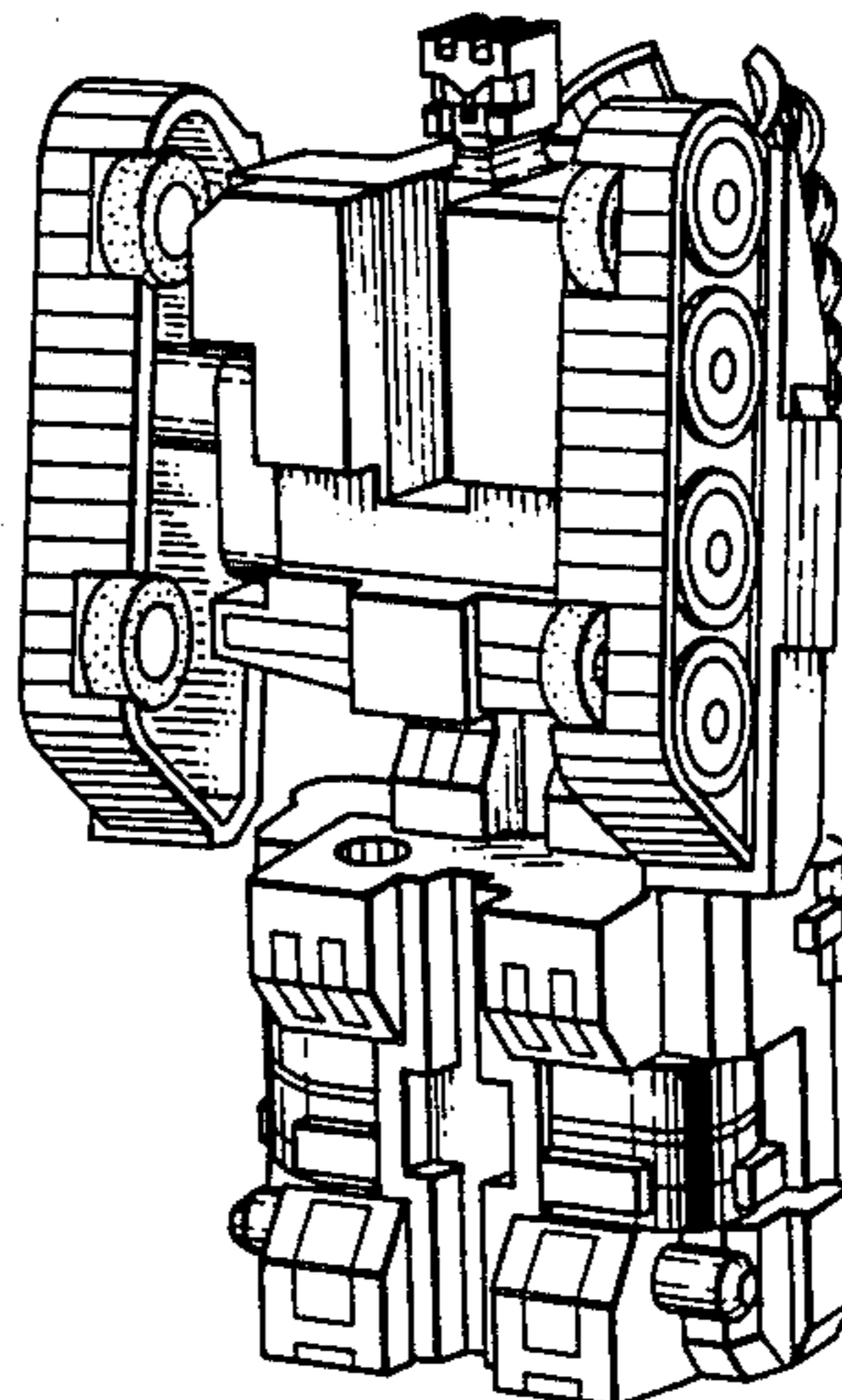
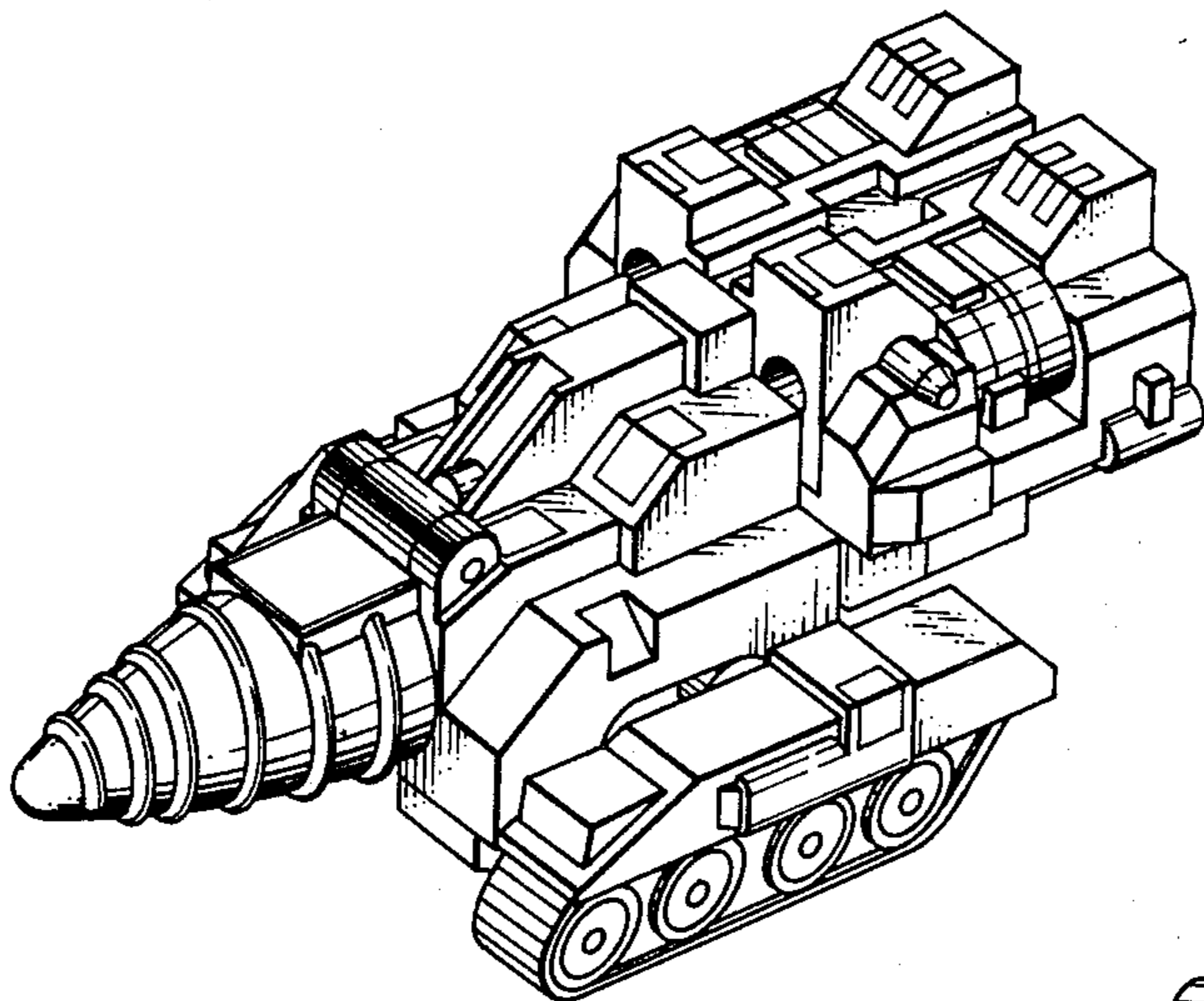


FIG. 2

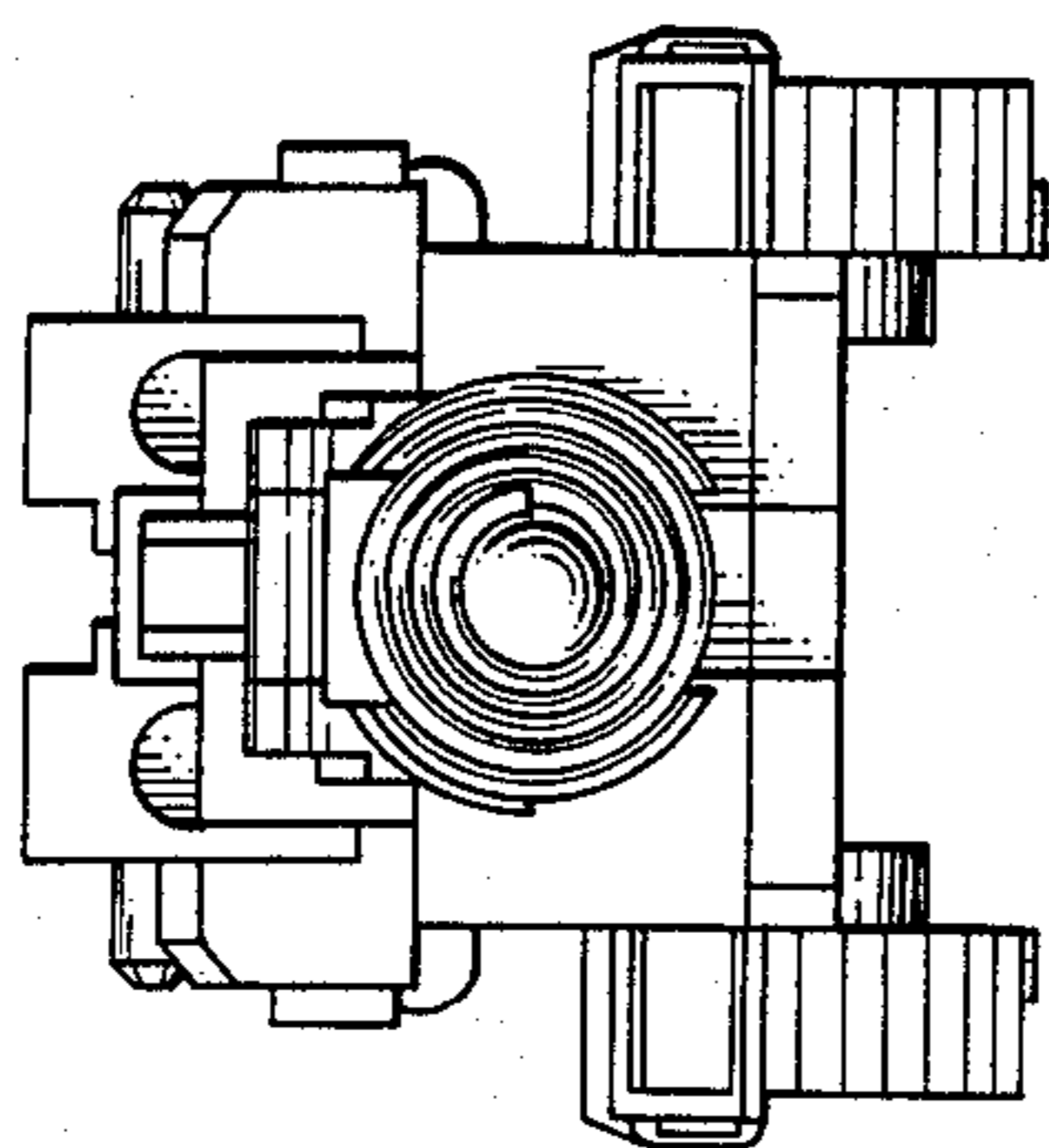


FIG. 3

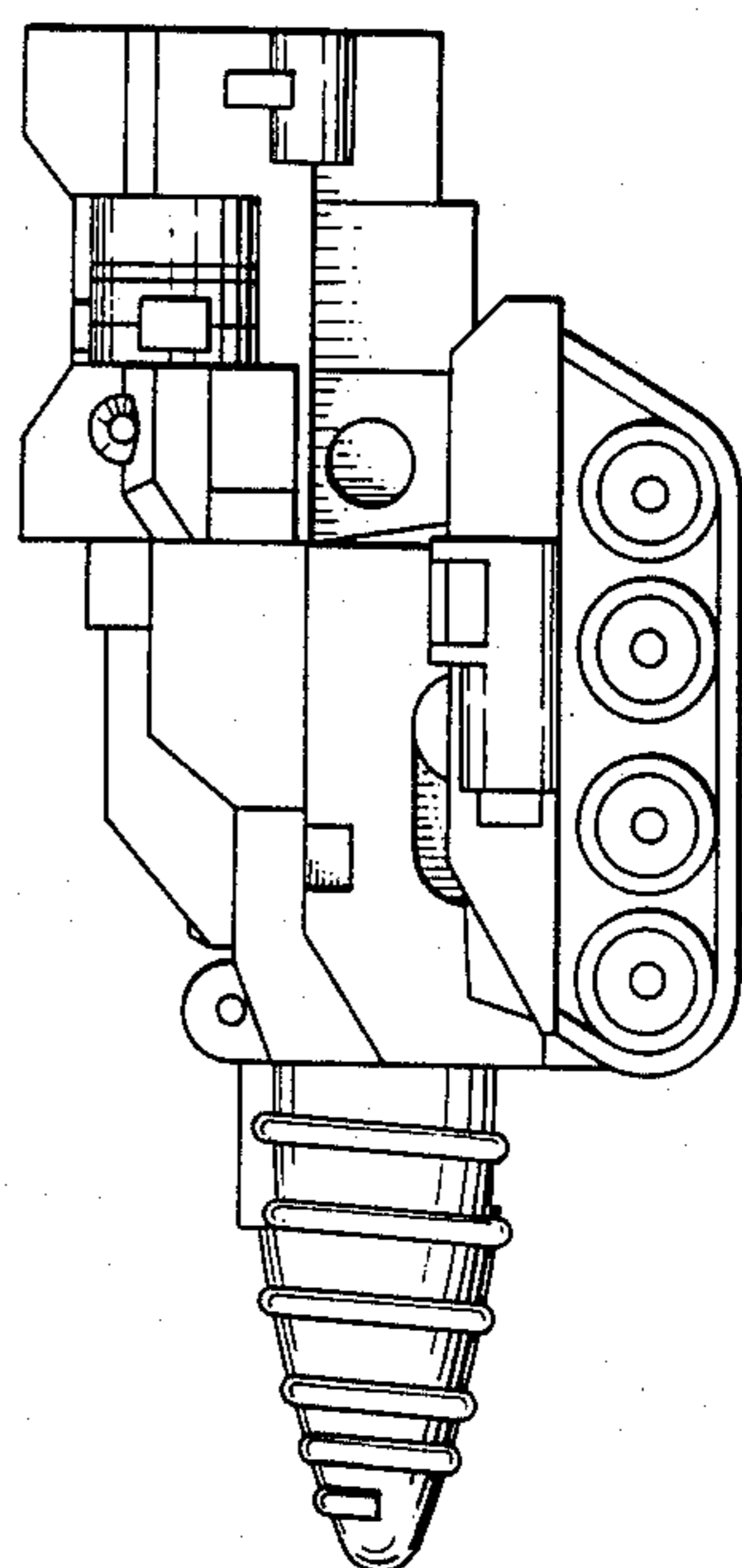


FIG. 1

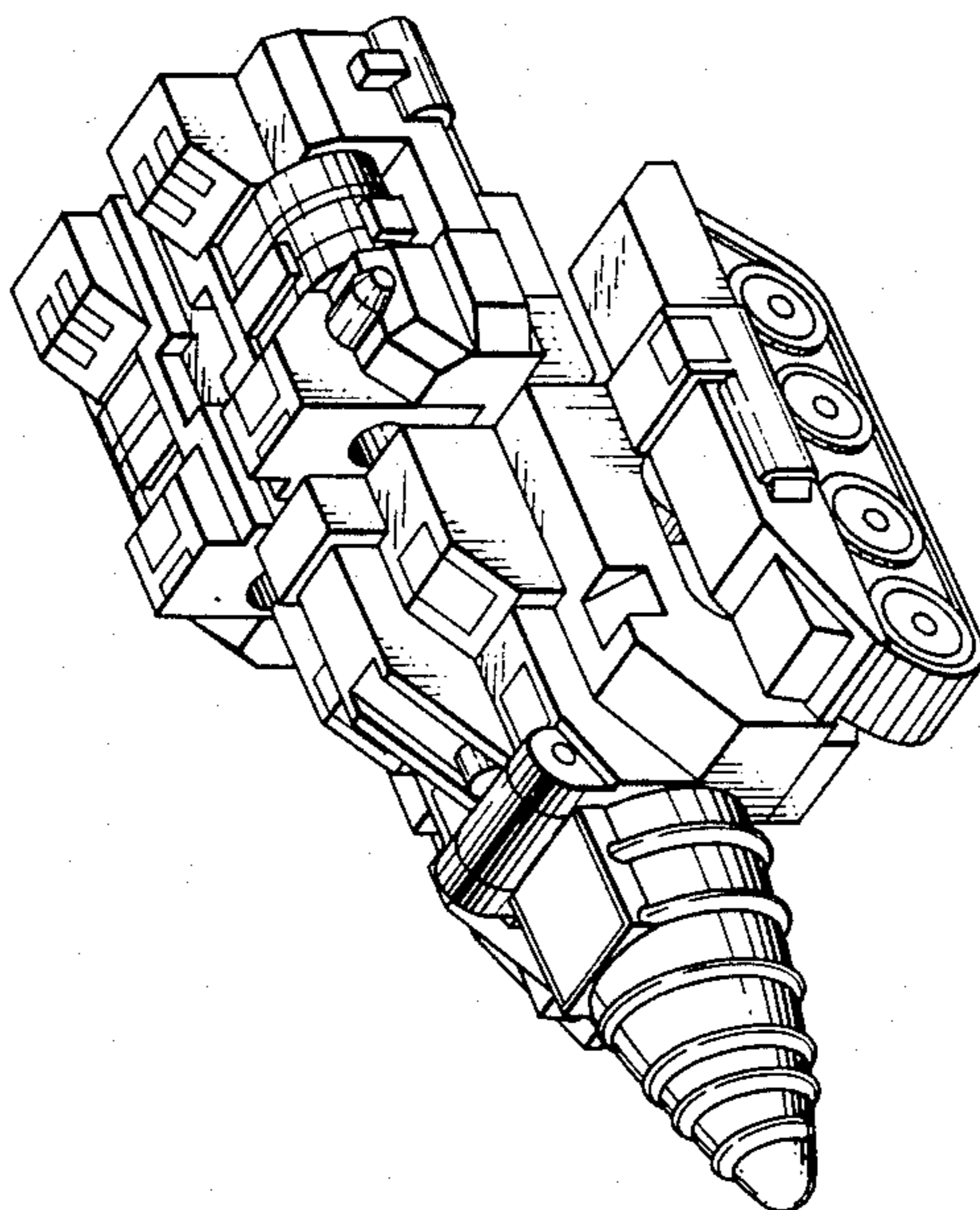


FIG. 4

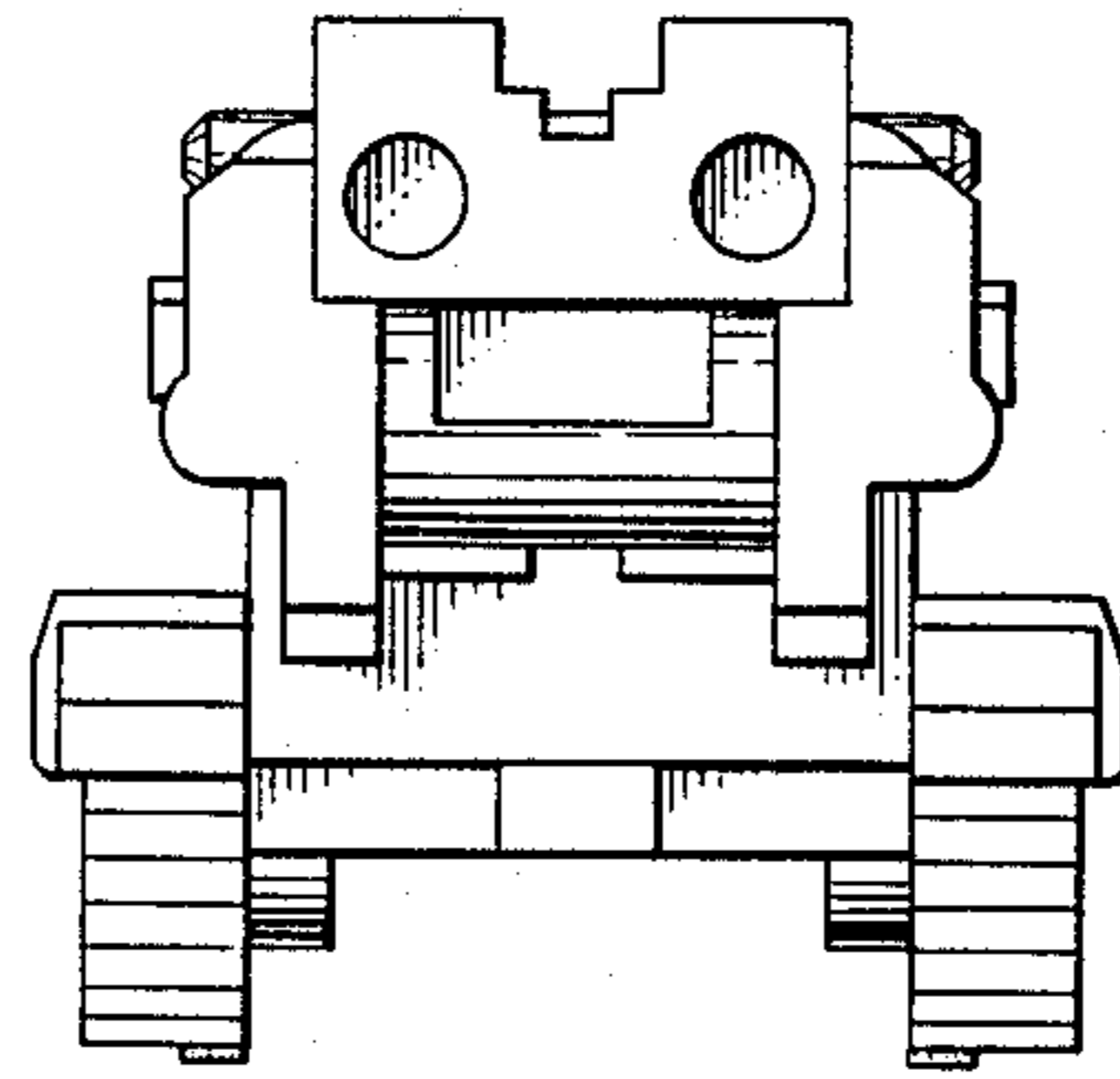


FIG. 5

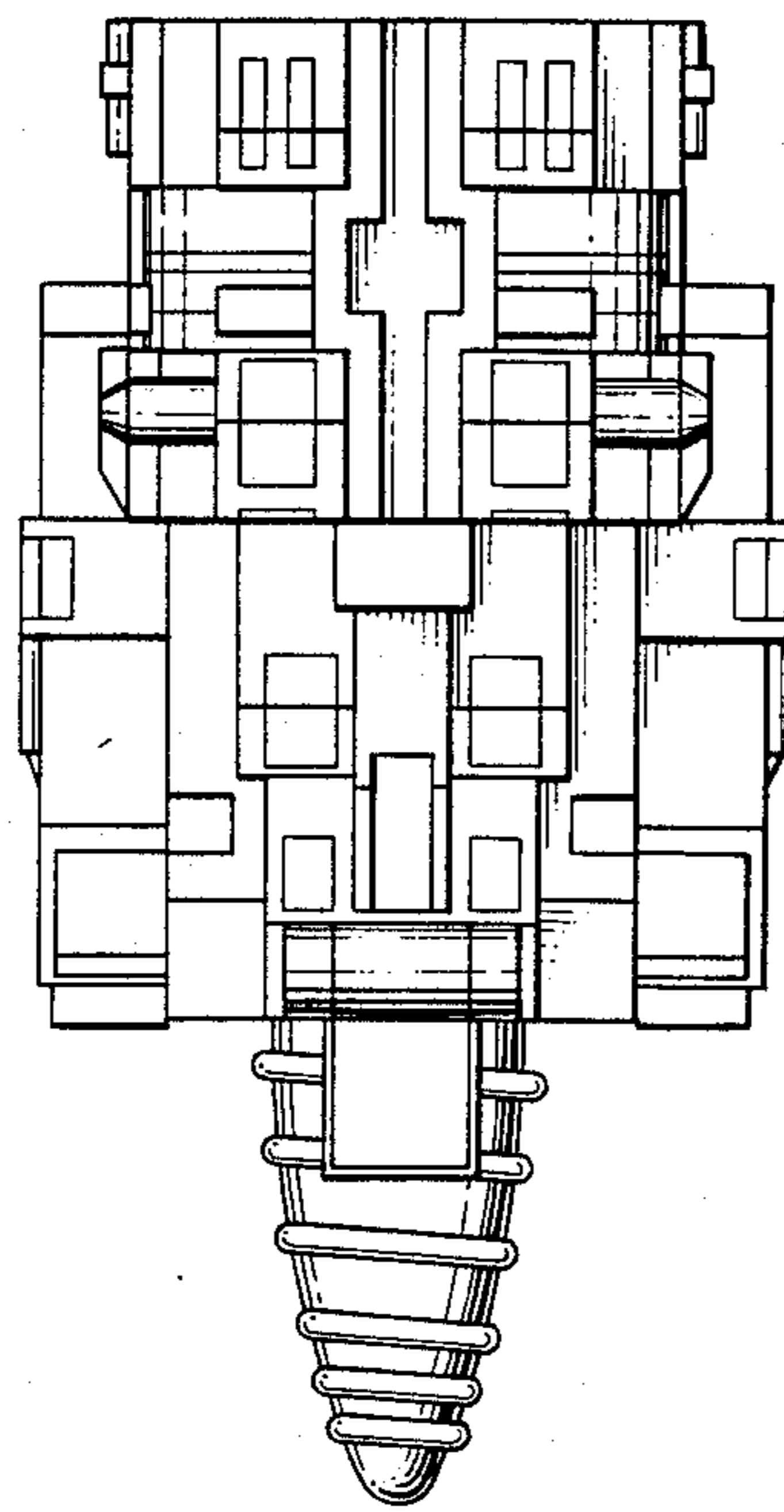


FIG. 6

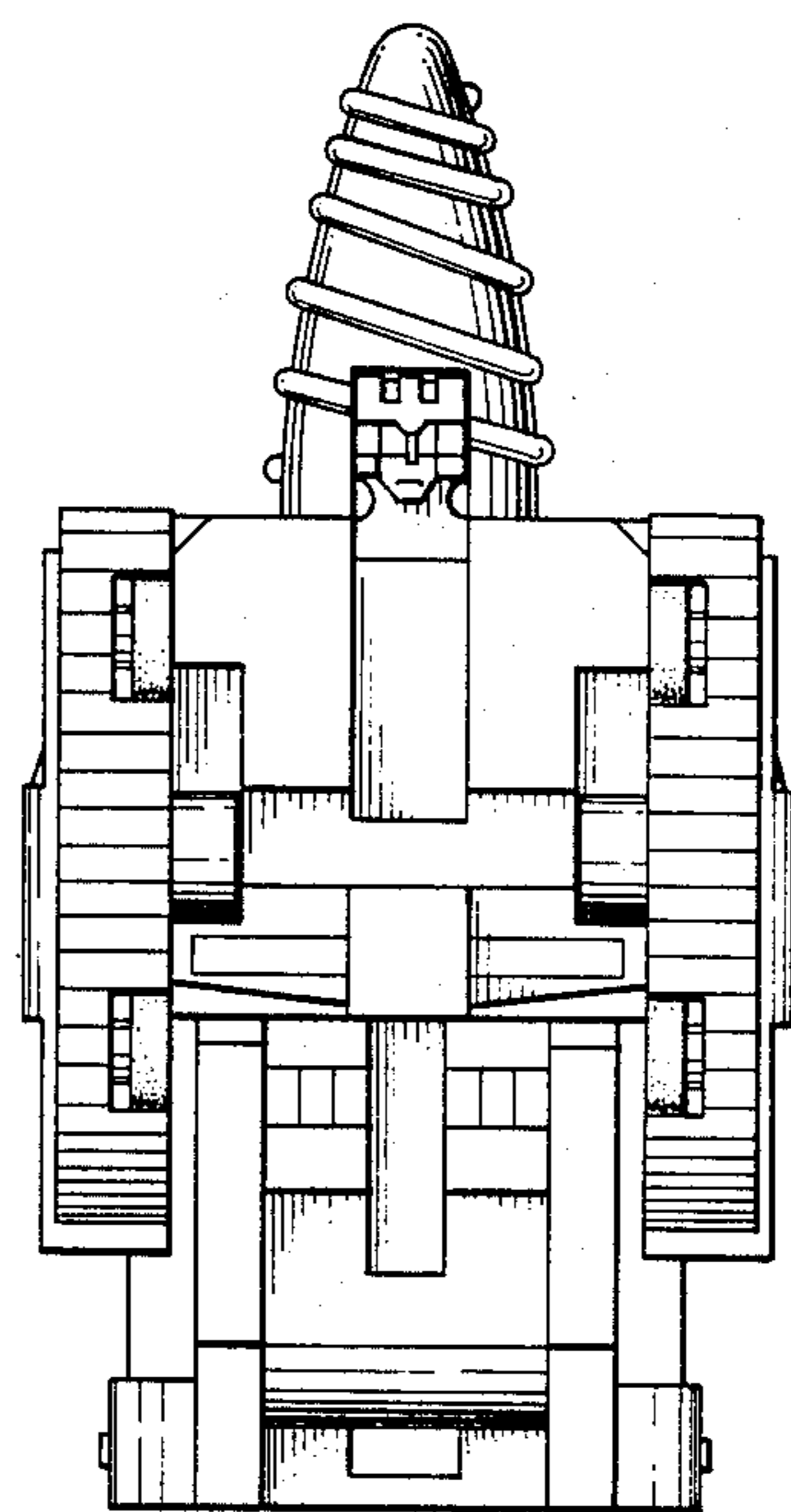


FIG. 9

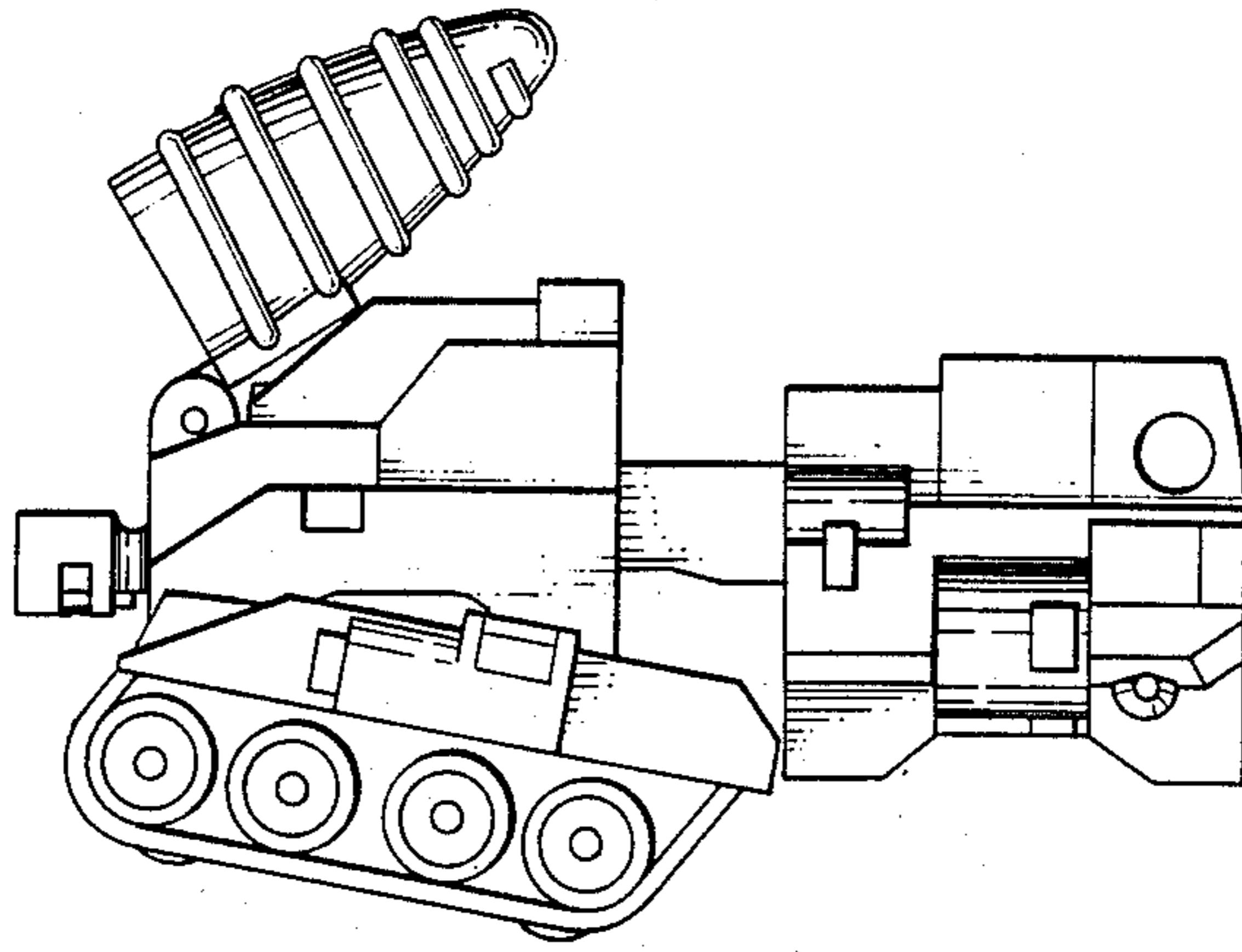


FIG. 8

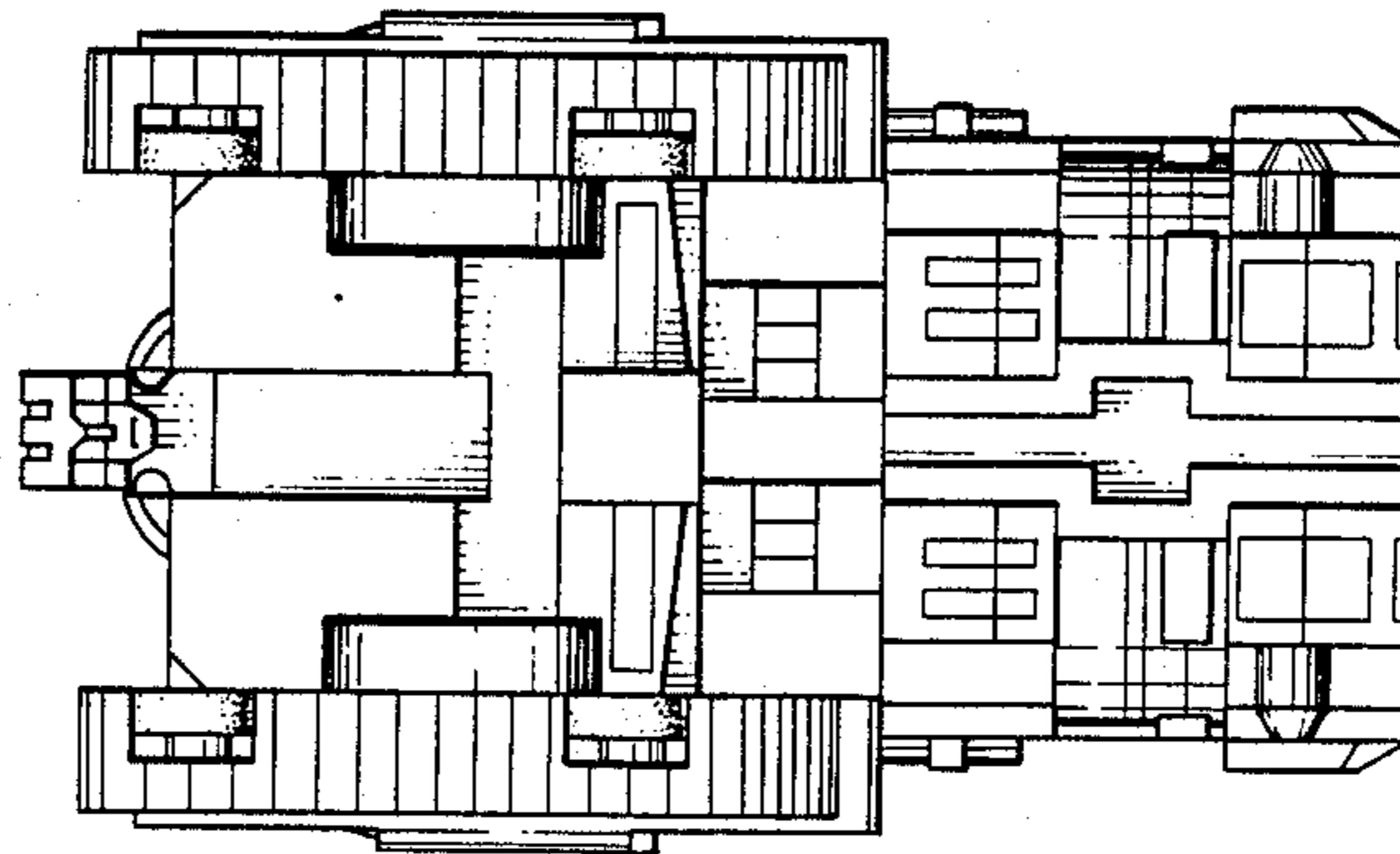


FIG. 7

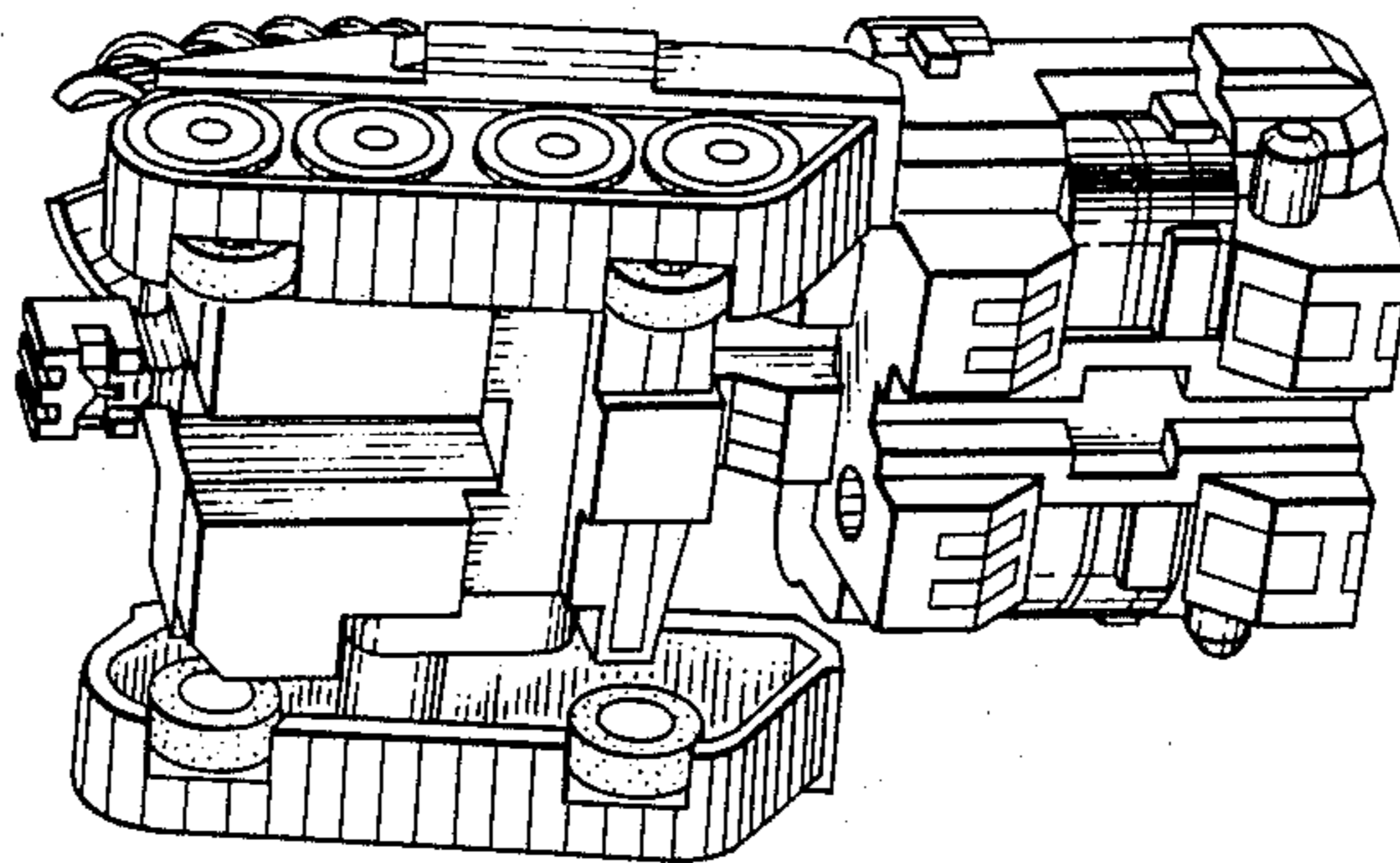


FIG. 10

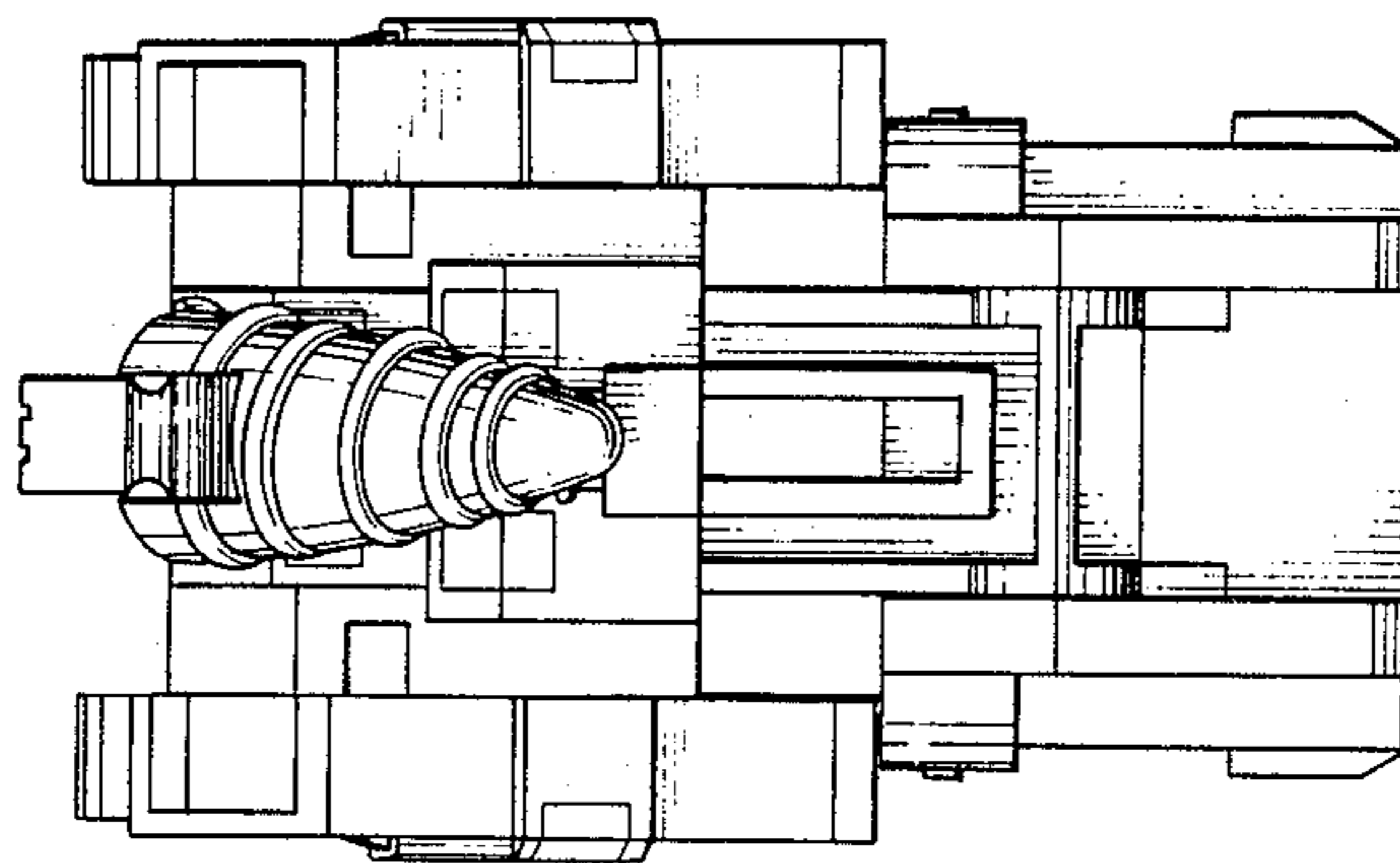


FIG. 11

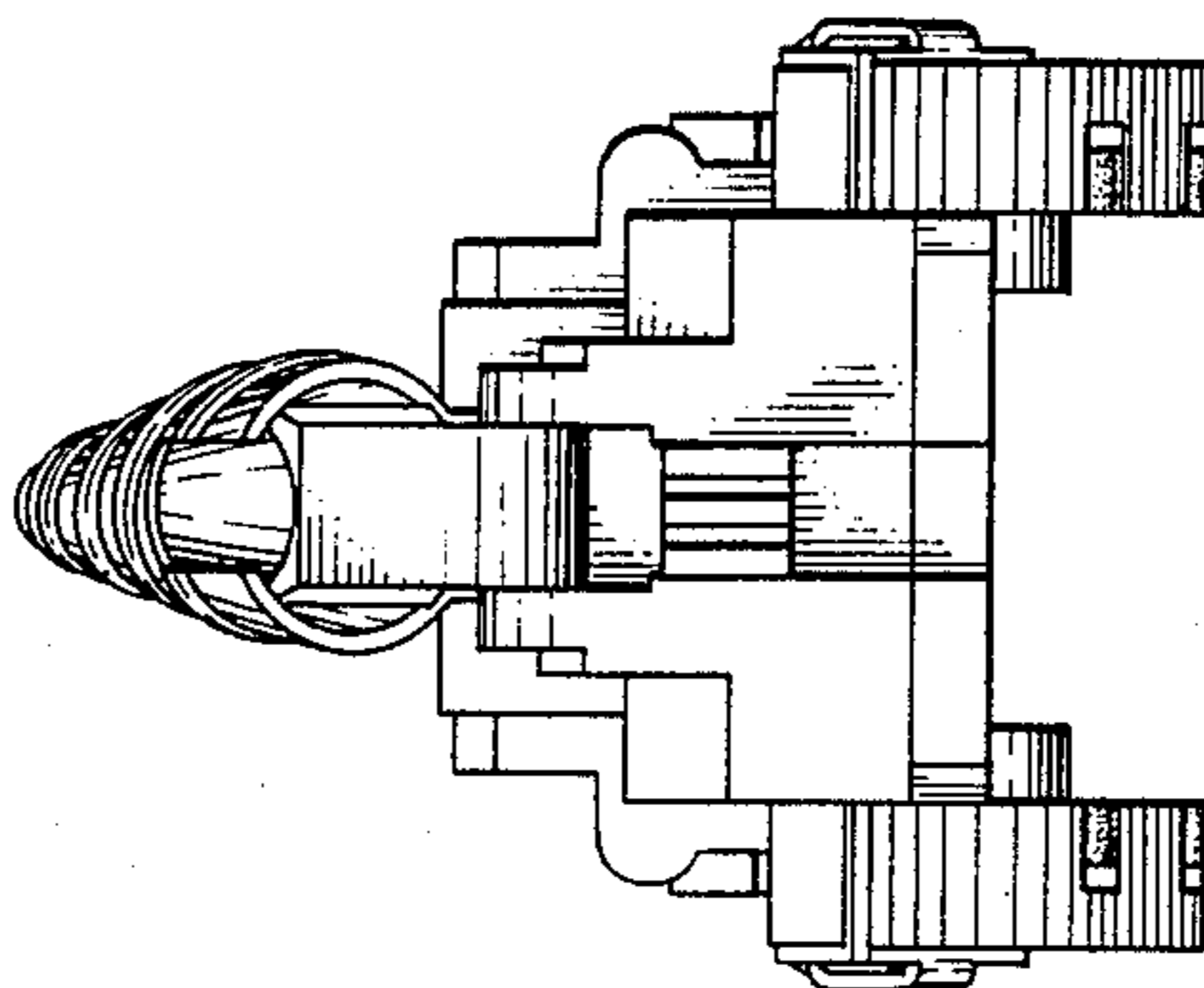


FIG. 12

