

[54] RECONFIGURABLE TOY VEHICLE

4,578,046 3/1986 Ohno 446/487

[75] Inventor: Muneyoshi Shinohara, Matsudo, Japan

Primary Examiner—Charles A. Rademaker
Assistant Examiner—Alicia A. Farrell
Attorney, Agent, or Firm—Price, Gess & Ubell

[73] Assignee: Takara Co., Ltd., Tokyo, Japan

[**] Term: 14 Years

[57] CLAIM

[21] Appl. No.: 5,140

The ornamental design for a reconfigurable toy vehicle, as shown and described.

[22] Filed: Jan. 20, 1987

DESCRIPTION

[30] Foreign Application Priority Data

Nov. 18, 1986 [JP] Japan 61-45585

[52] U.S. Cl. D21/150; D21/136; D21/166

[58] Field of Search D21/90, 92, 93, 96, D21/128, 131, 132, 135, 136, 137, 150; 446/71, 72, 80, 88, 93, 94, 95, 96, 487

FIG. 1 is a front perspective view of a reconfigurable toy vehicle showing my new design; FIG. 2 is a front elevational view thereof; FIG. 3 is a right side elevational view thereof, the side opposite being a mirror image; FIG. 4 is a rear elevational view thereof; FIG. 5 is a top plan view thereof; FIG. 6 is a bottom plan view thereof; FIG. 7 is another front perspective view of the design shown in FIGS. 1 through 6 in a humanoid robot configuration; FIG. 8 is a front elevational view thereof; FIG. 9 is a right side elevational view thereof, the side opposite being a mirror image; FIG. 10 is a rear elevational view thereof; FIG. 11 is a top plan view thereof; and FIG. 12 is a bottom plan view thereof.

[56] References Cited

U.S. PATENT DOCUMENTS

D. 222,917	2/1972	Broadley	D21/136
D. 279,916	7/1985	Obara	D21/136
D. 281,001	10/1985	Ohno	D21/136
D. 284,490	7/1986	Ohno	D21/128
D. 284,491	7/1986	Ohno	D21/128
D. 285,465	9/1986	Ohno	D21/137
D. 286,169	10/1986	Ohno	D21/150

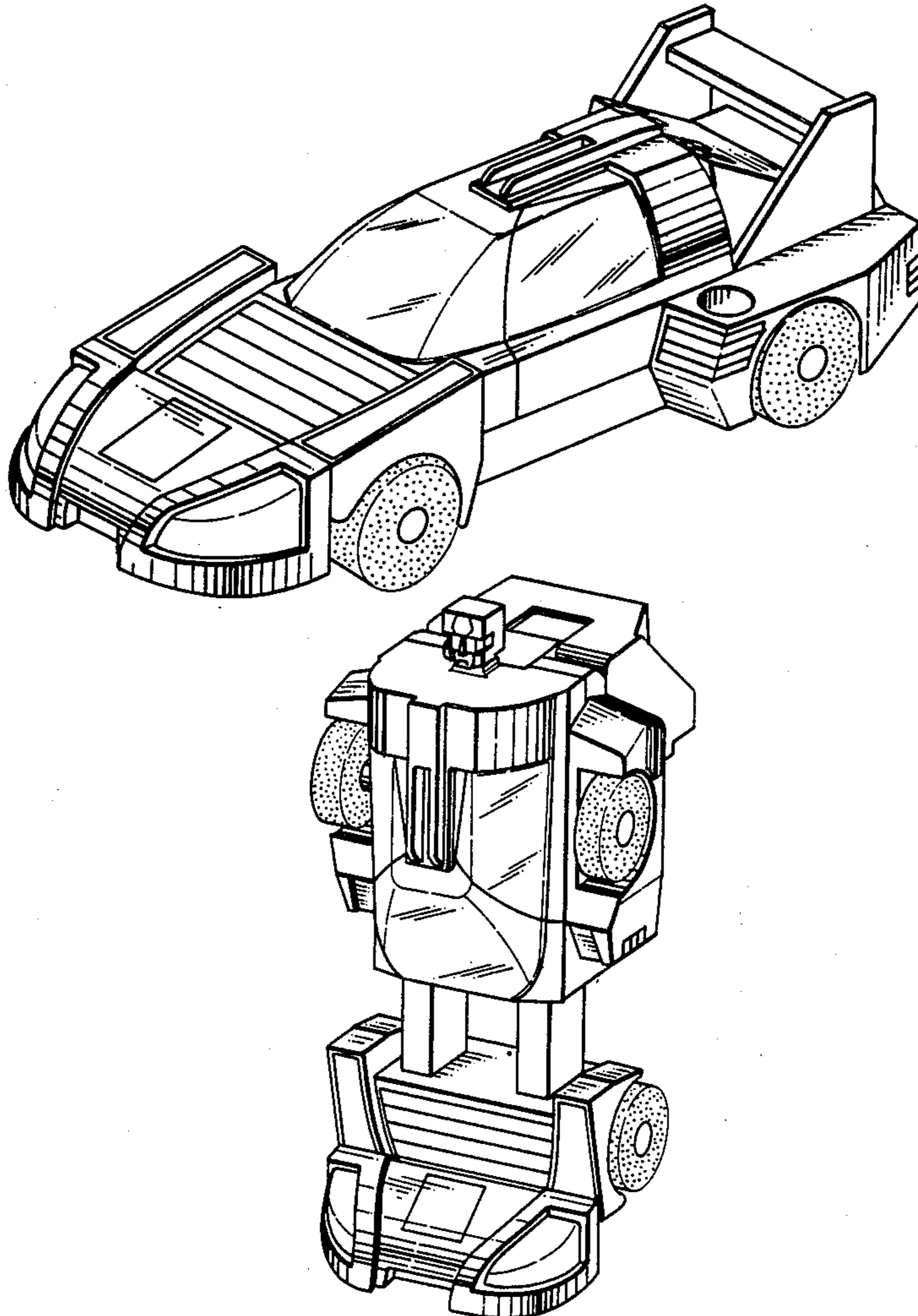


FIG. 1

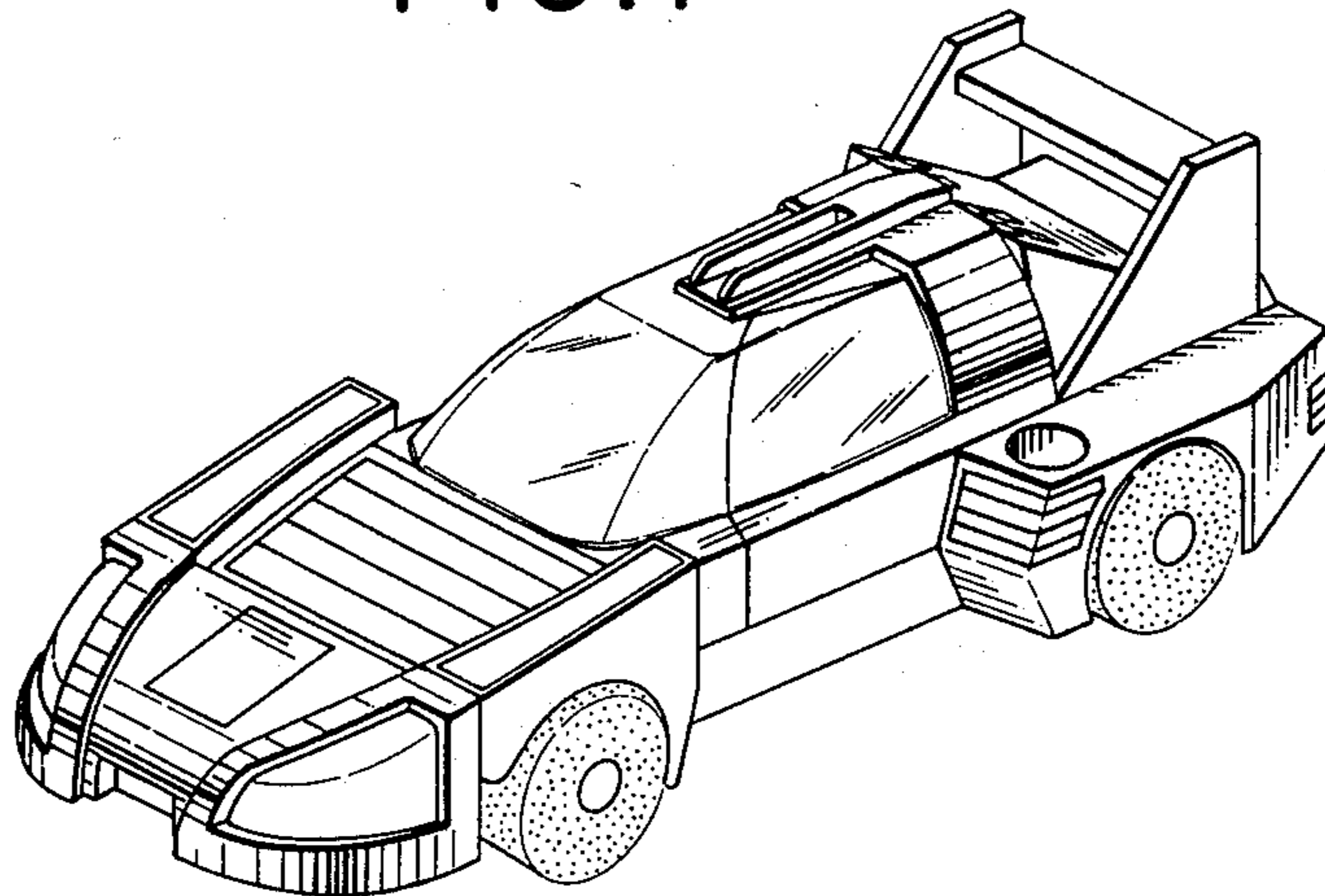


FIG. 2

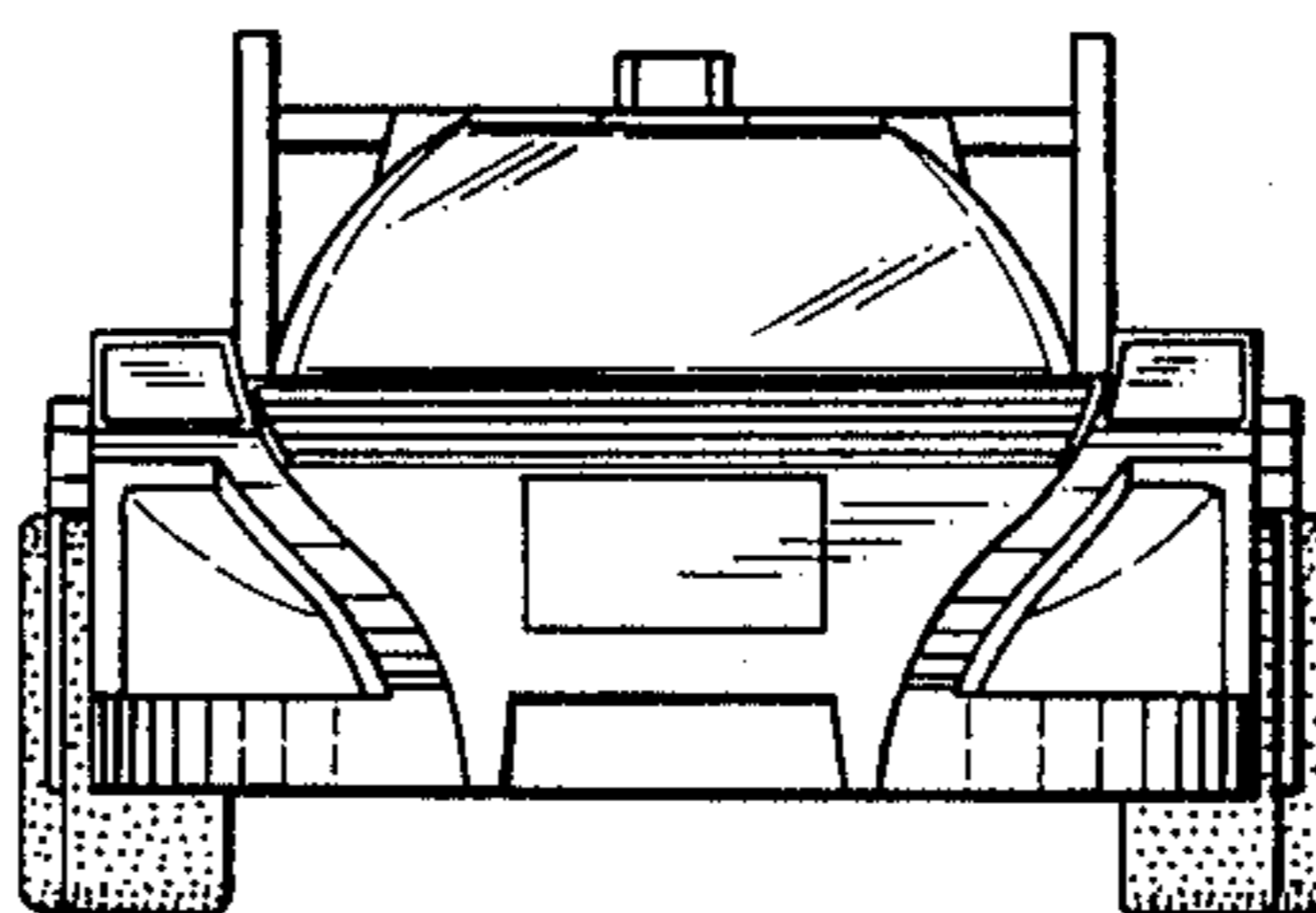


FIG. 3

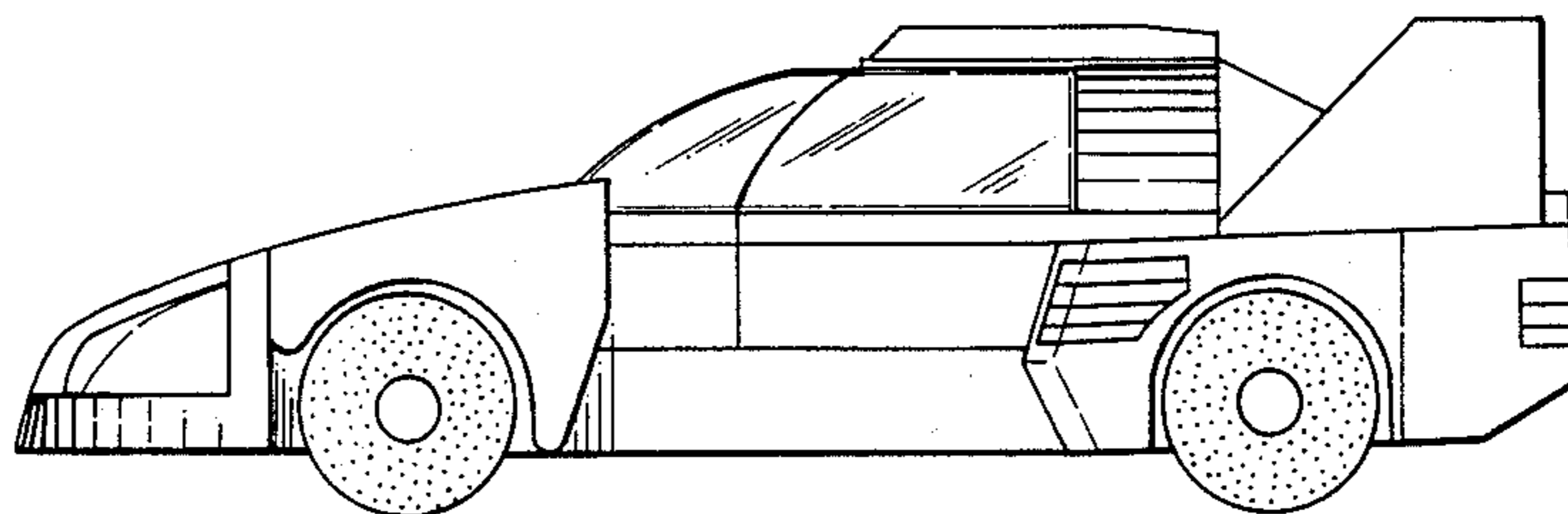


FIG. 4

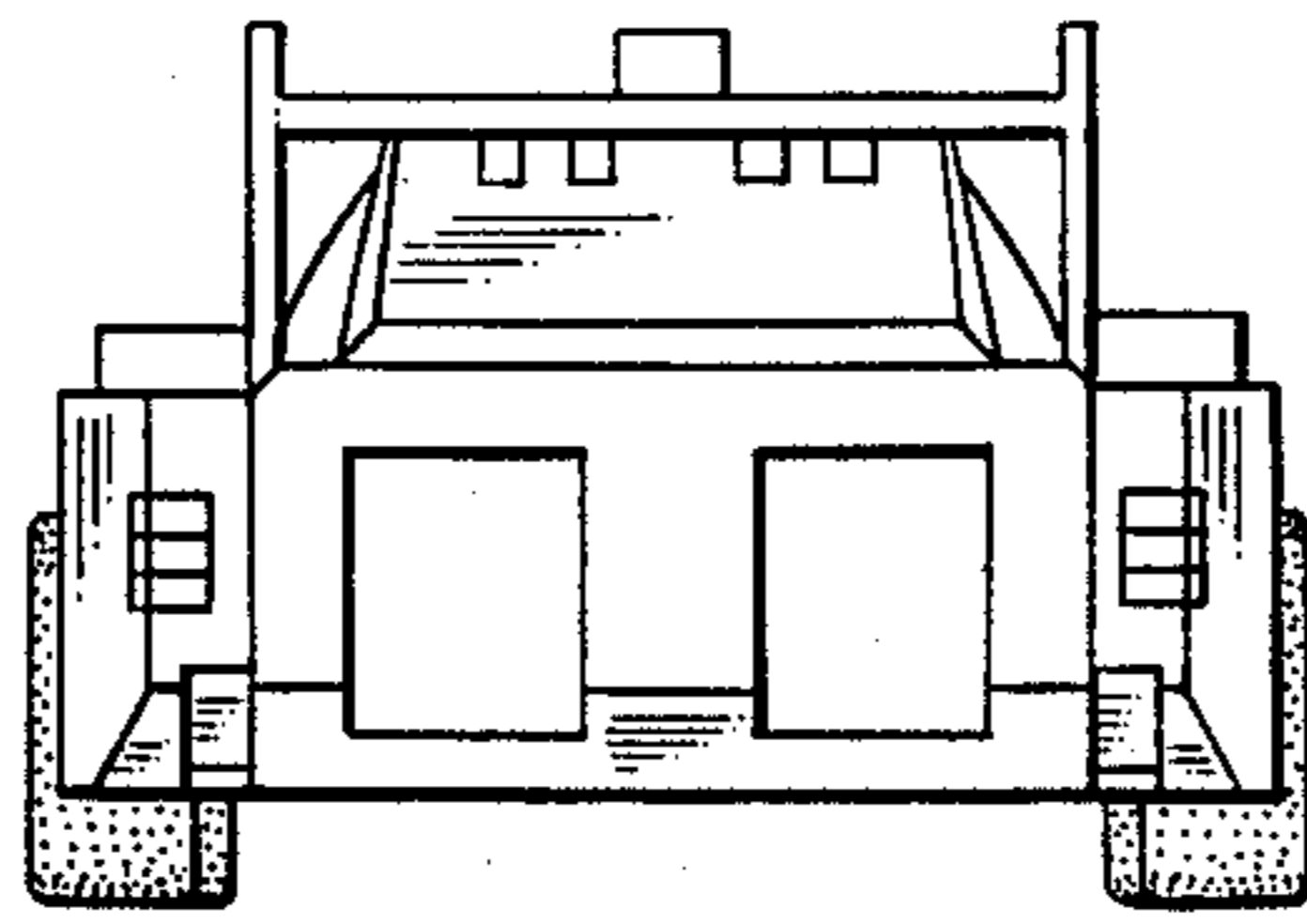


FIG. 5

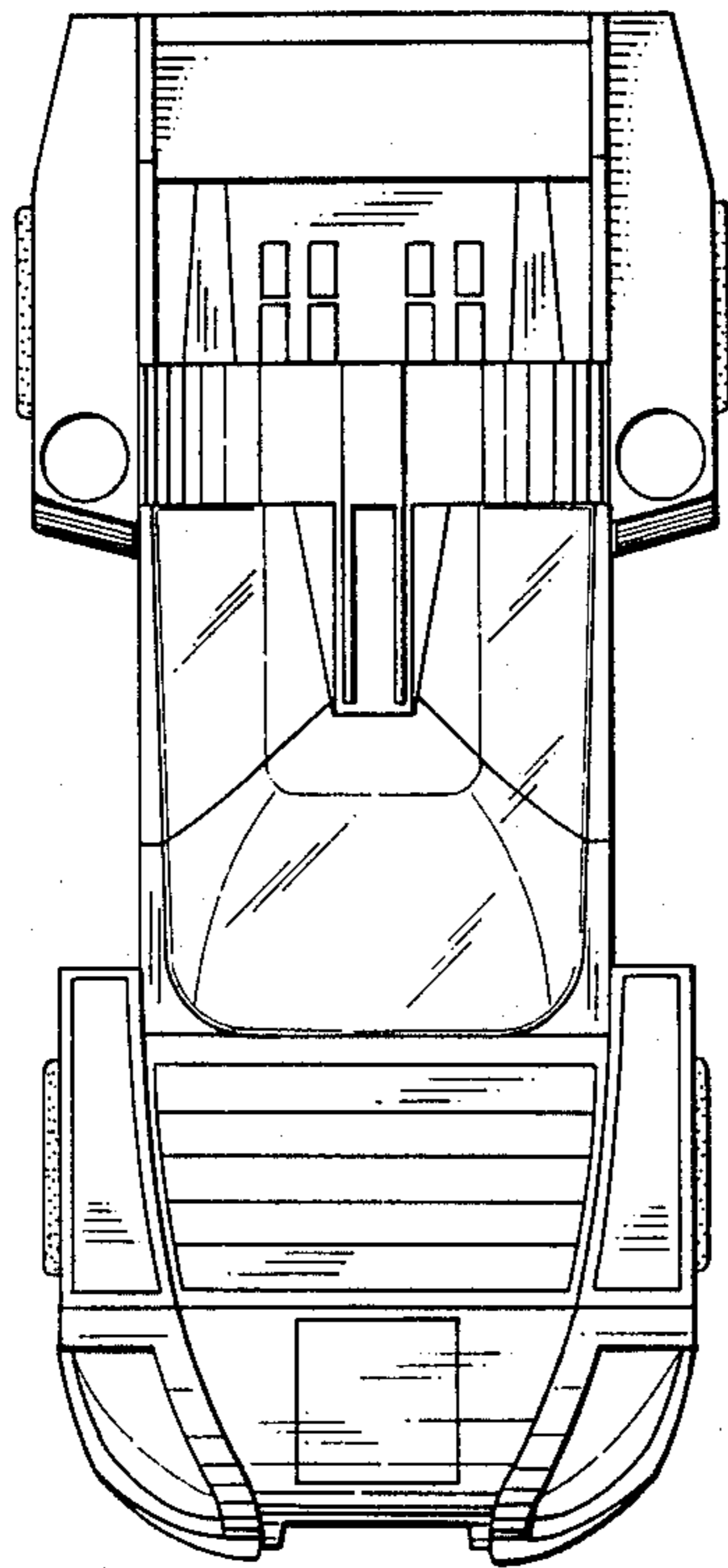


FIG. 6

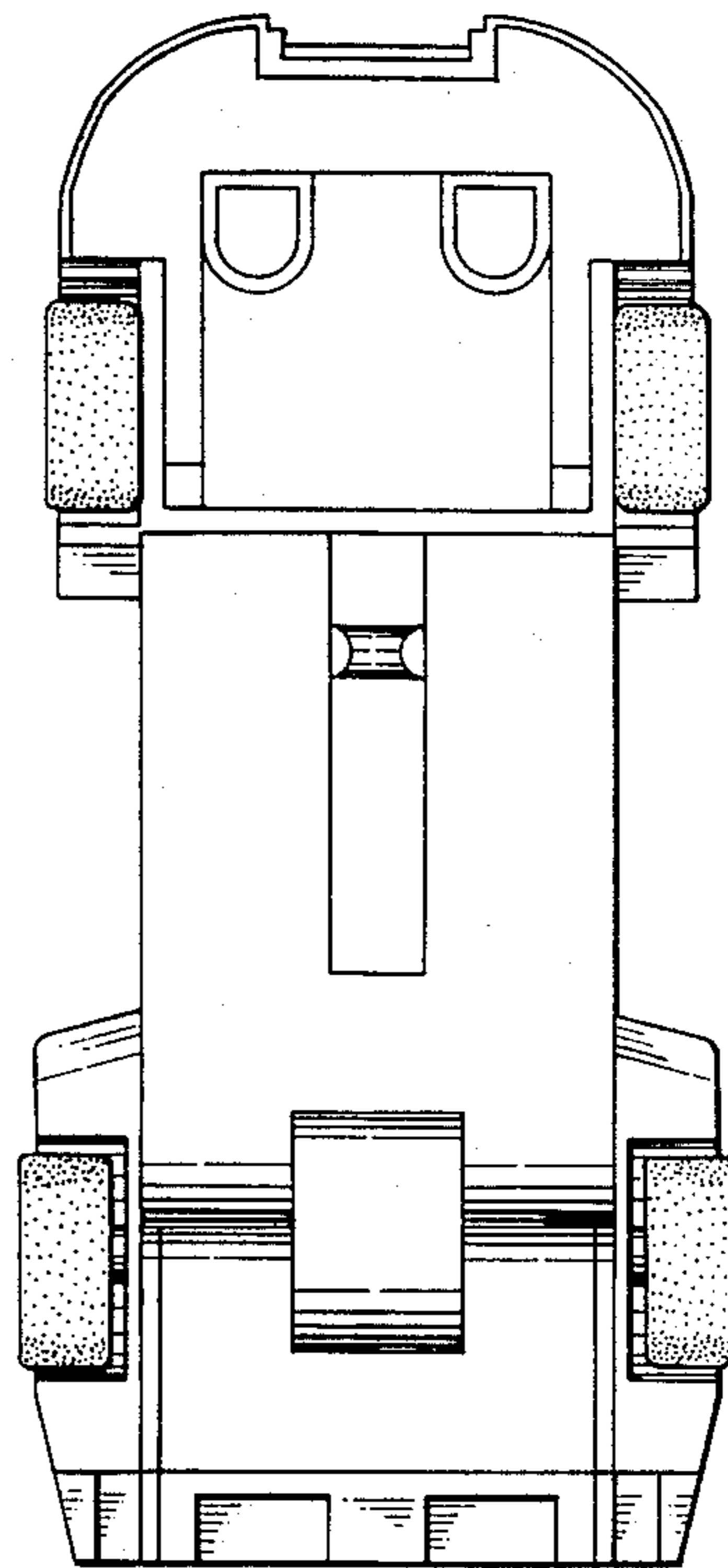


FIG. 7

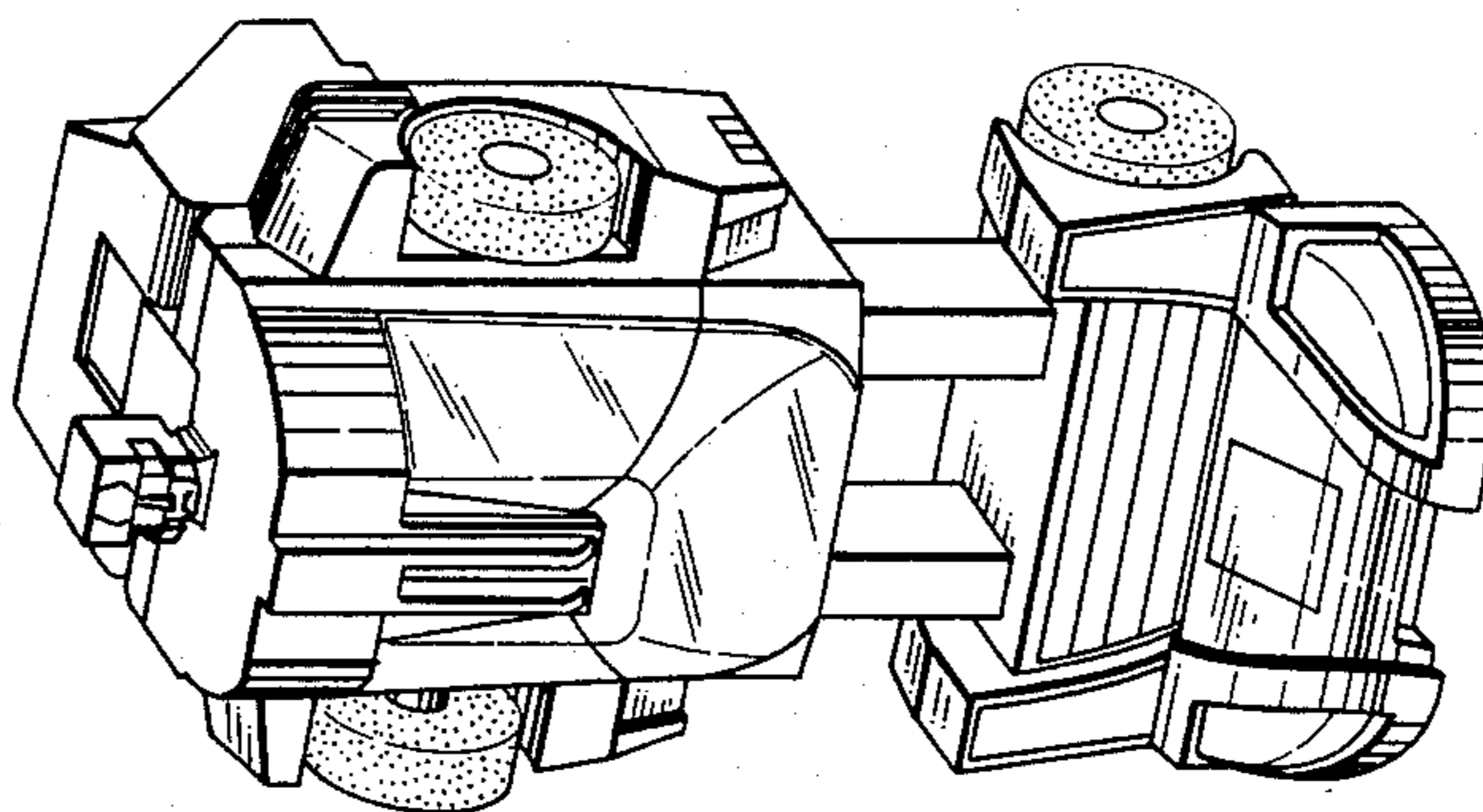


FIG. 8

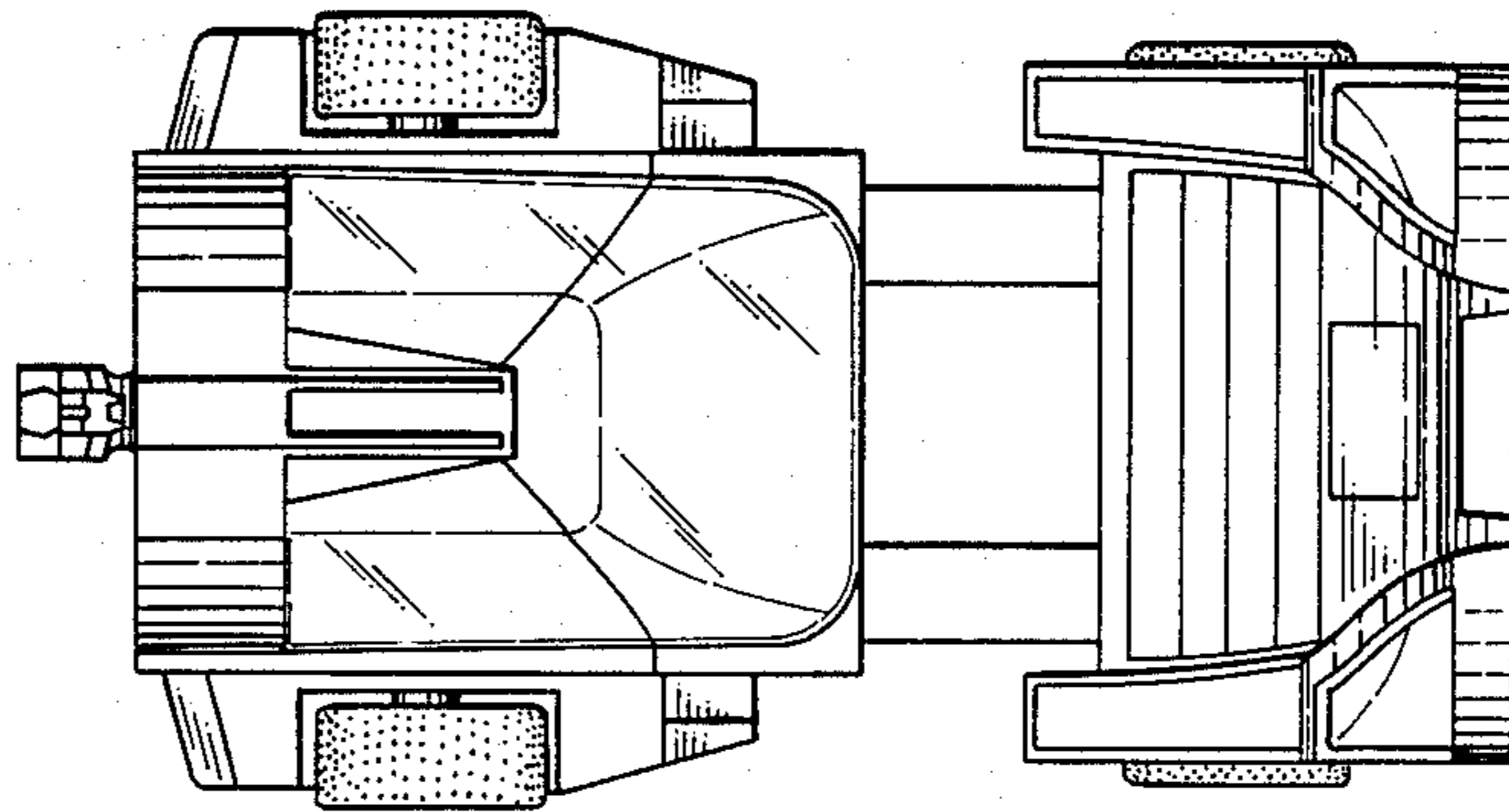


FIG. 9

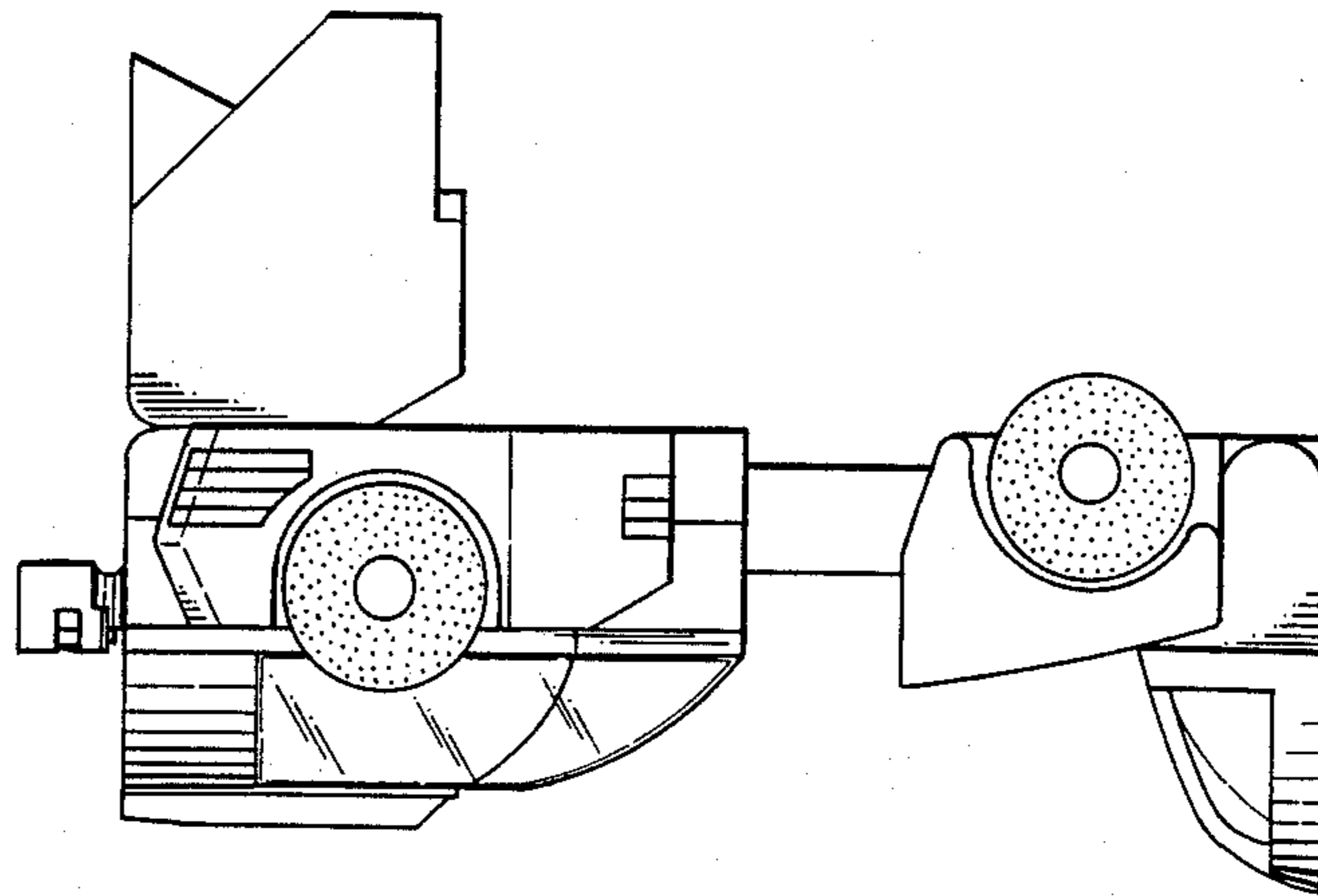


FIG.10

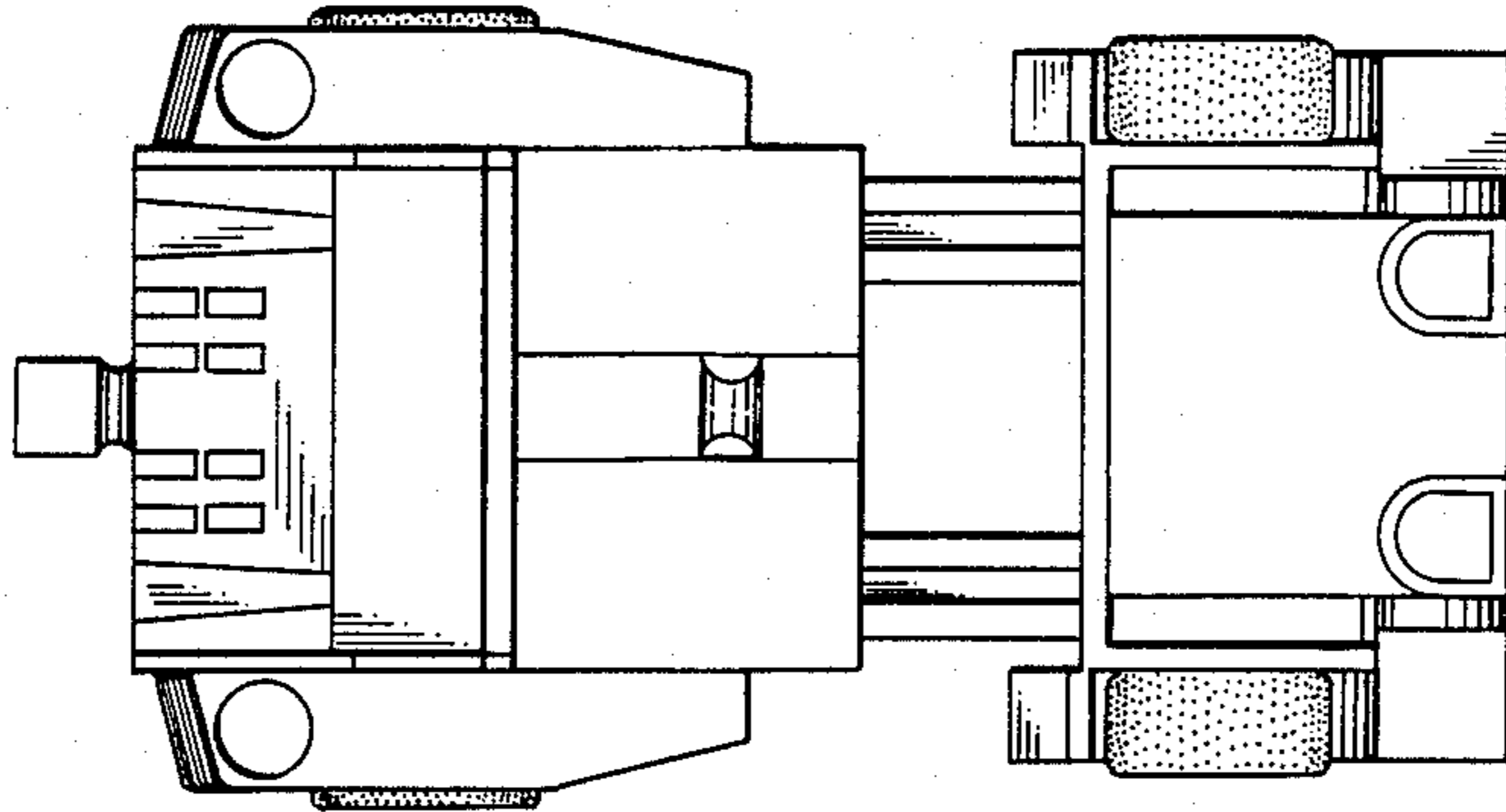


FIG.11

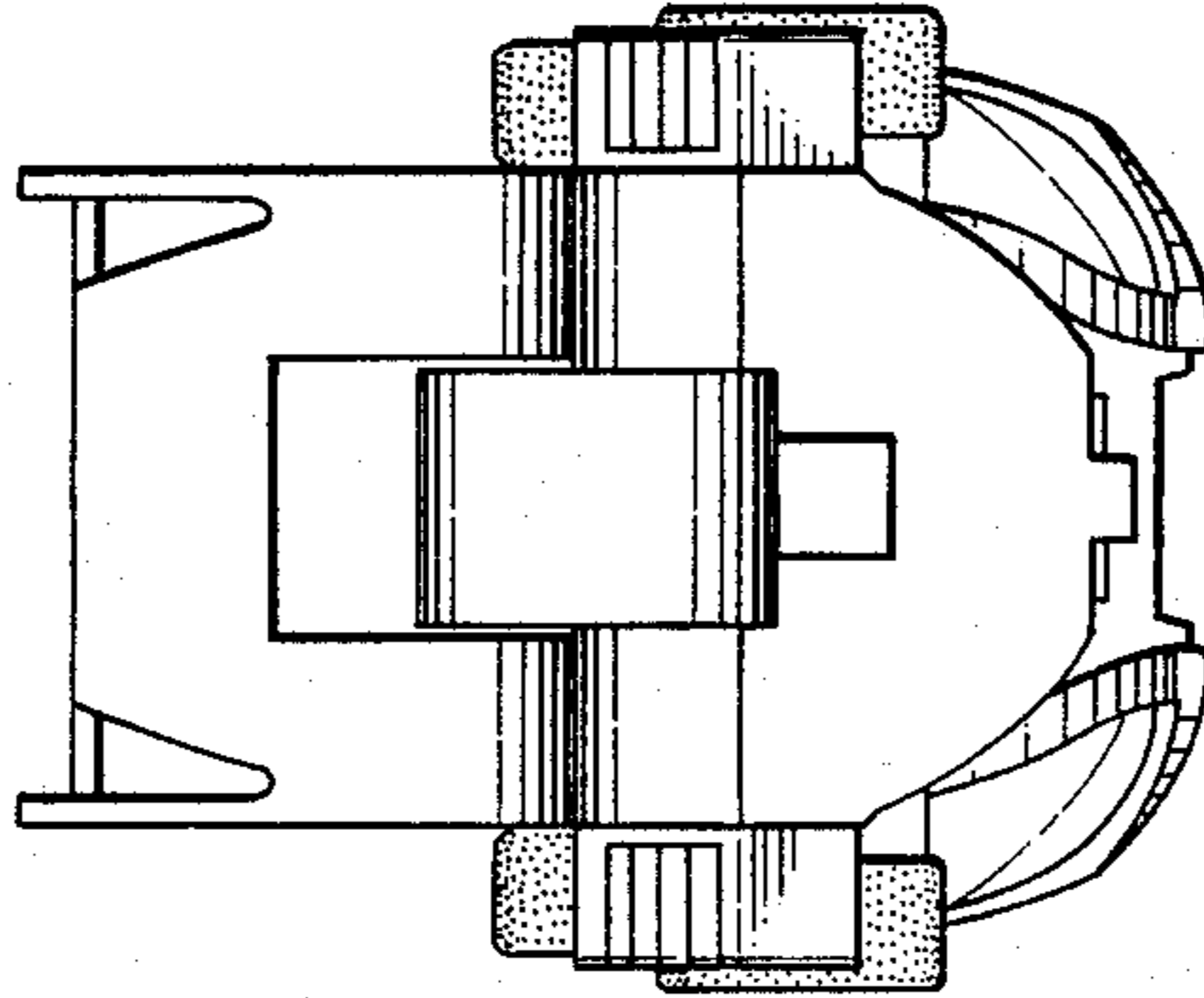


FIG.12

