

[54] TOY RACING CAR

[76] Inventor: Lester L. Wallace, P.O. Box 961, Minot, N. Dak. 58702

[**] Term: 14 Years

[21] Appl. No.: 942,588

[22] Filed: Dec. 16, 1986

[52] U.S. Cl. D21/128

[58] Field of Search D21/59, 76, 78, 79, D21/128, 131, 134, 136, 137, 140; 446/431, 433, 445, 454, 459, 464, 465, 470; D9/341

[56] References Cited

U.S. PATENT DOCUMENTS

D. 56,082	8/1920	Smith	D9/341
D. 217,874	6/1970	French	D21/137
D. 226,212	1/1973	Swenson	D21/137
D. 226,813	5/1973	French	D21/137
D. 288,527	3/1987	Maguire	D9/341
1,586,608	6/1926	Carver	446/431

FOREIGN PATENT DOCUMENTS

128600 4/1947 Australia 446/464

Primary Examiner—Charles A. Rademaker

Assistant Examiner—Alicia A. Farrell

Attorney, Agent, or Firm—Merchant, Gould, Smith, Edell, Welter & Schmidt

[57] CLAIM

The ornamental design for a toy racing car, as shown and described.

DESCRIPTION

FIG. 1 is a perspective view of a toy racing car showing my new design;

FIG. 2 is a side elevational view thereof, the side opposite being a mirror image;

FIG. 3 is a front elevational view thereof, the side opposite being substantially a mirror image;

FIG. 4 is a top plan view thereof; and,

FIG. 5 is a bottom plan view thereof.

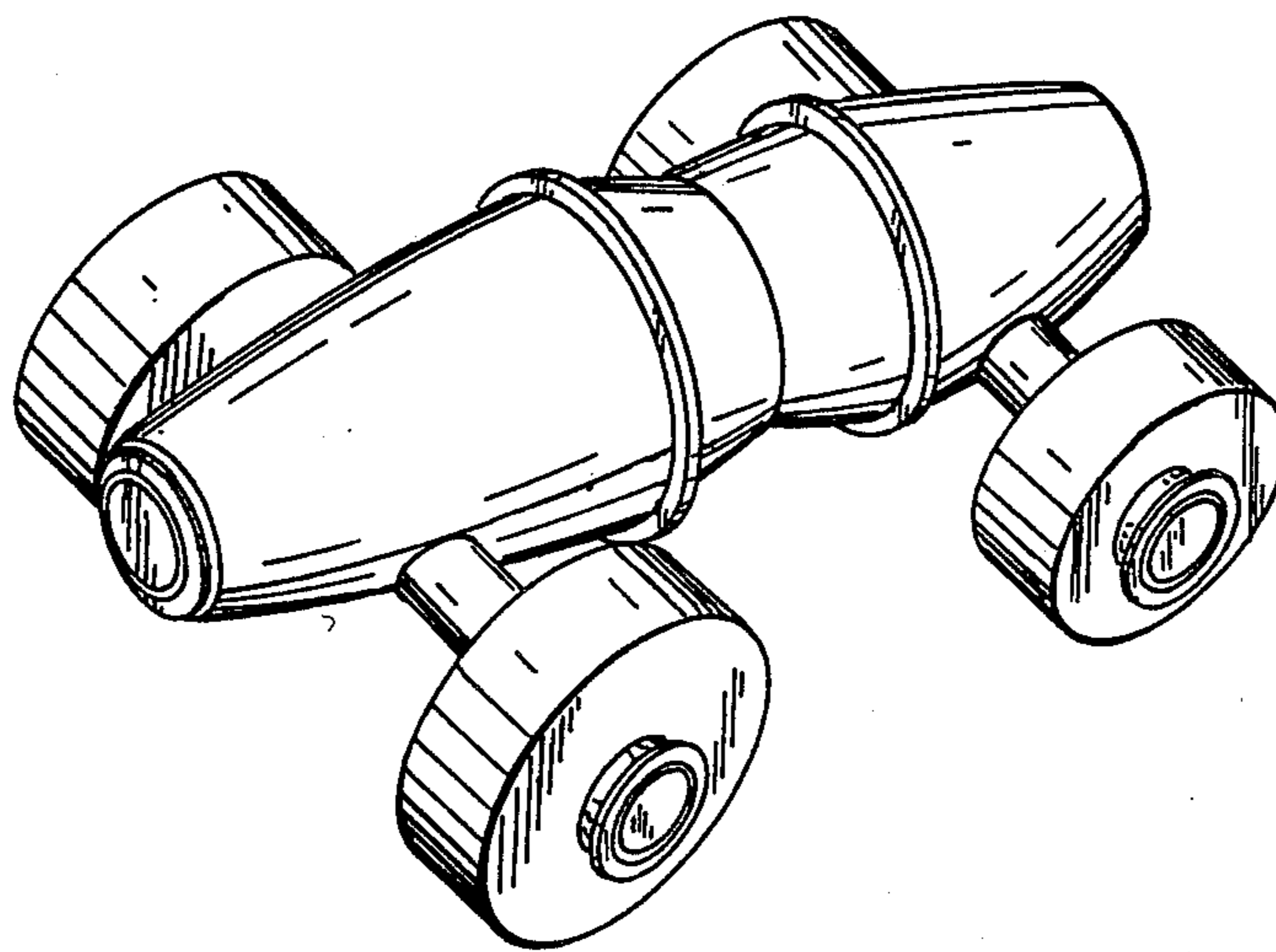


FIG. 1

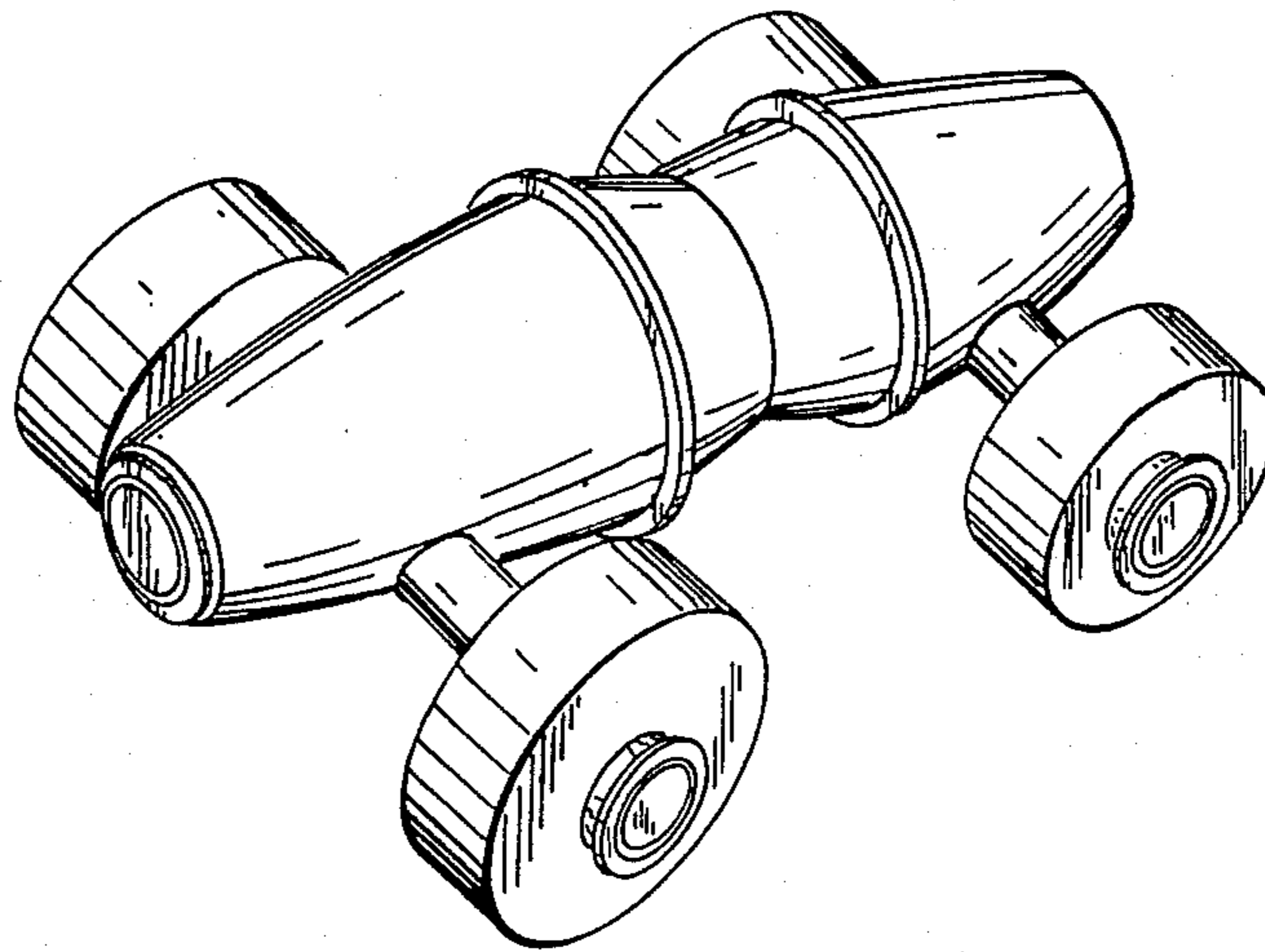


FIG. 2

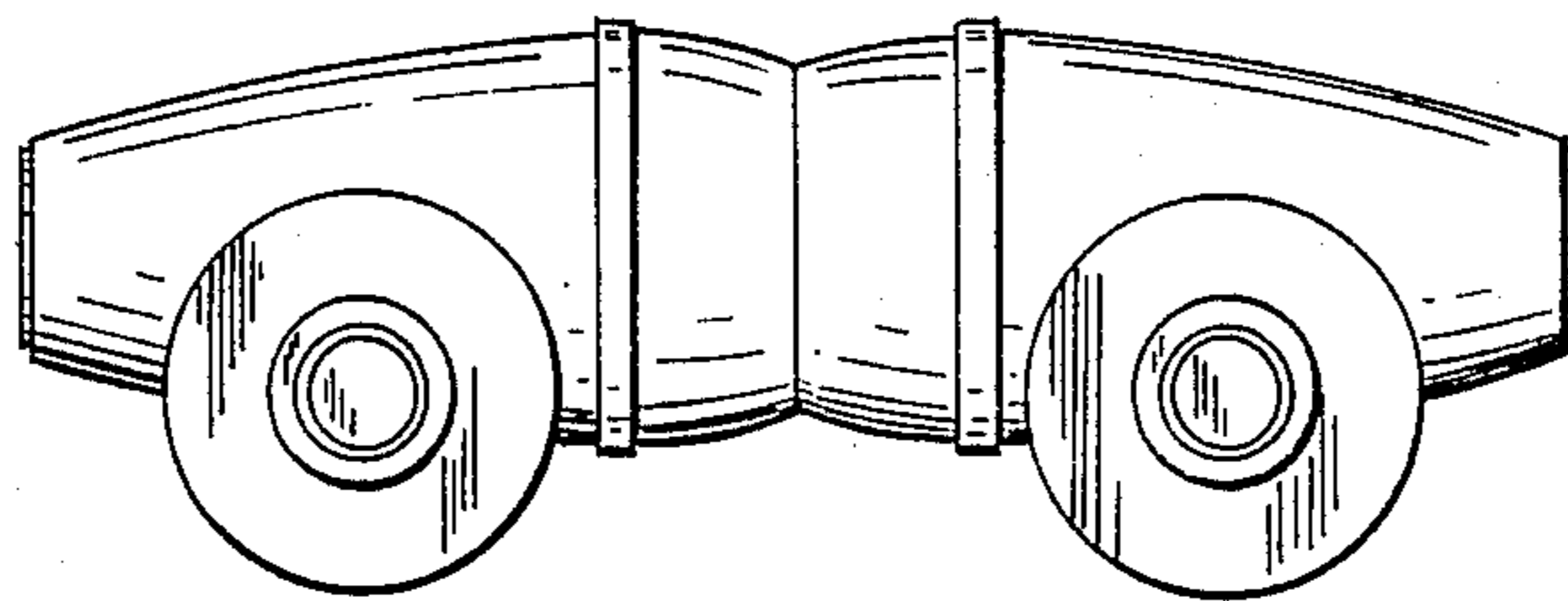


FIG. 3

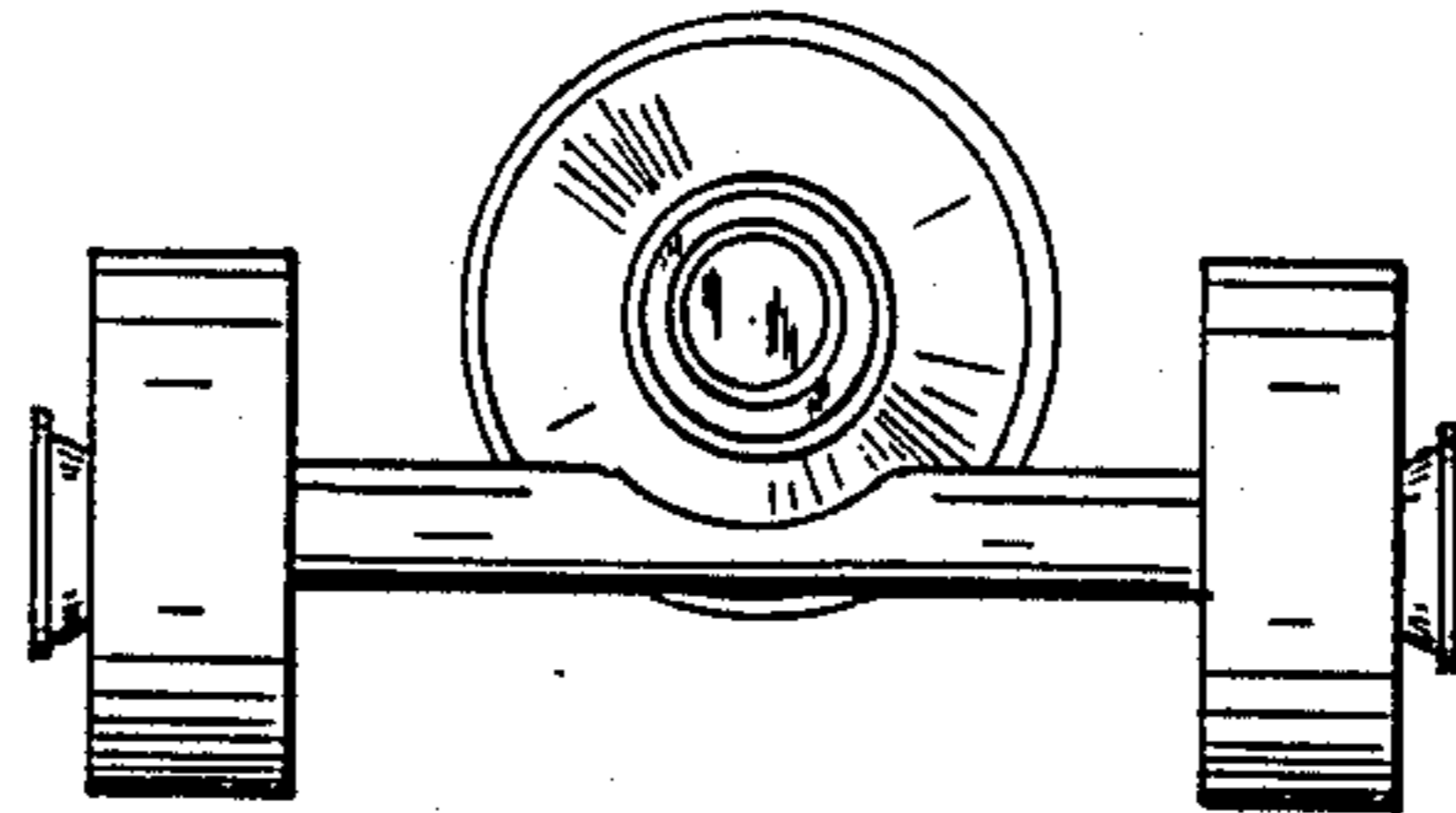


FIG. 4

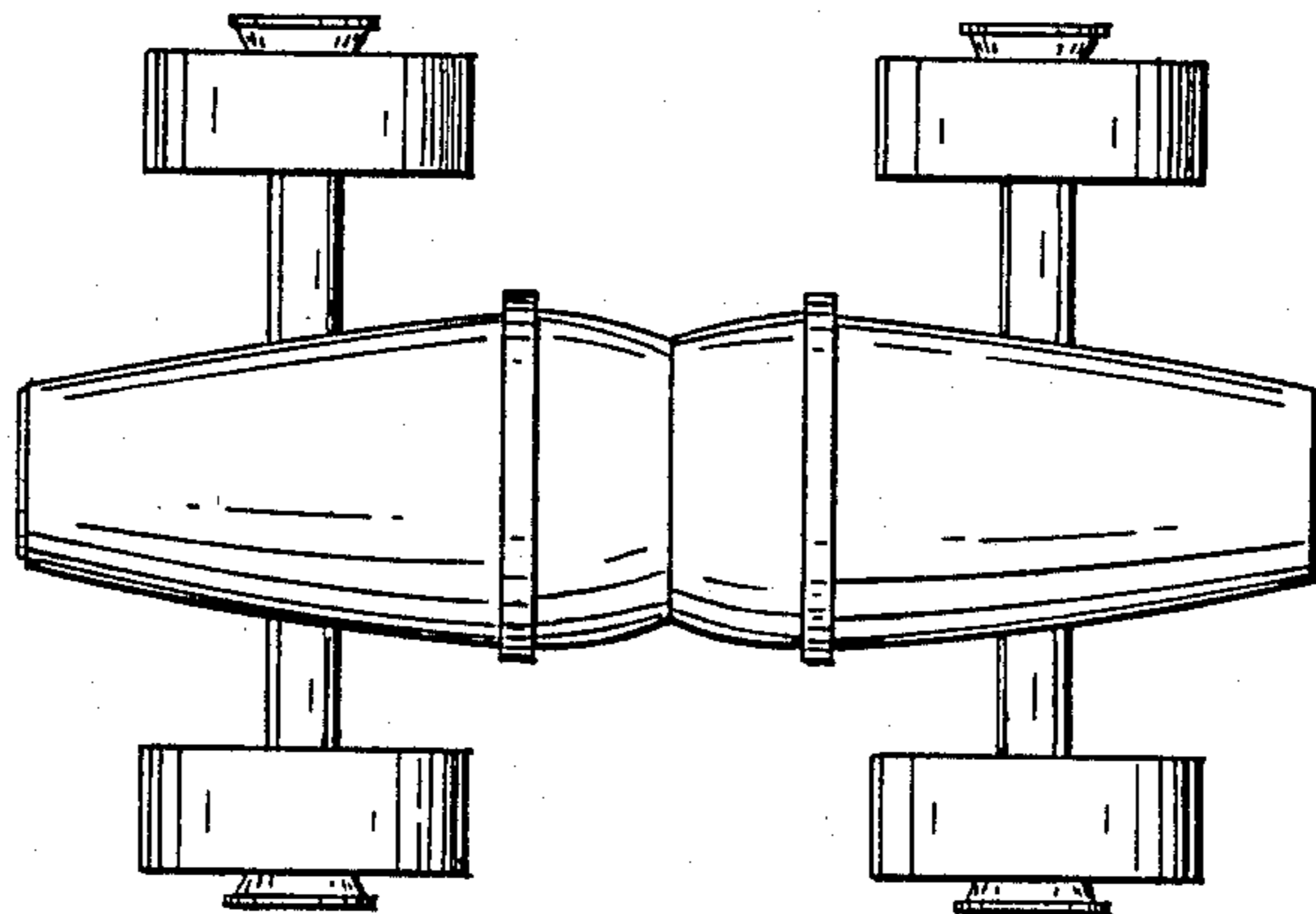


FIG. 5

