

# United States Patent [19]

Mazzocco

[11] Patent Number: **Des. 303,407**

[45] Date of Patent: **\*\* Sep. 12, 1989**

[54] TOY GASOLINE STATION

[75] Inventor: **Leonard J. Mazzocco, South Wales, N.Y.**

[73] Assignee: **The Quaker Oats Company, Chicago, Ill.**

[\*\*] Term: **14 Years**

[21] Appl. No.: **920,855**

[22] Filed: **Oct. 17, 1986**

[52] U.S. Cl. .... **D21/118**

[58] Field of Search ..... **D21/114-119; 446/423, 476, 477, 478; D25/1, 3, 22, 25**

[56] **References Cited**

### U.S. PATENT DOCUMENTS

D. 166,071	3/1952	Butzko .....	D21/118
D. 230,618	3/1974	Venetian .....	D21/114
D. 265,220	6/1982	Orenstein .....	D21/118
2,035,487	3/1936	Marx .....	D21/118

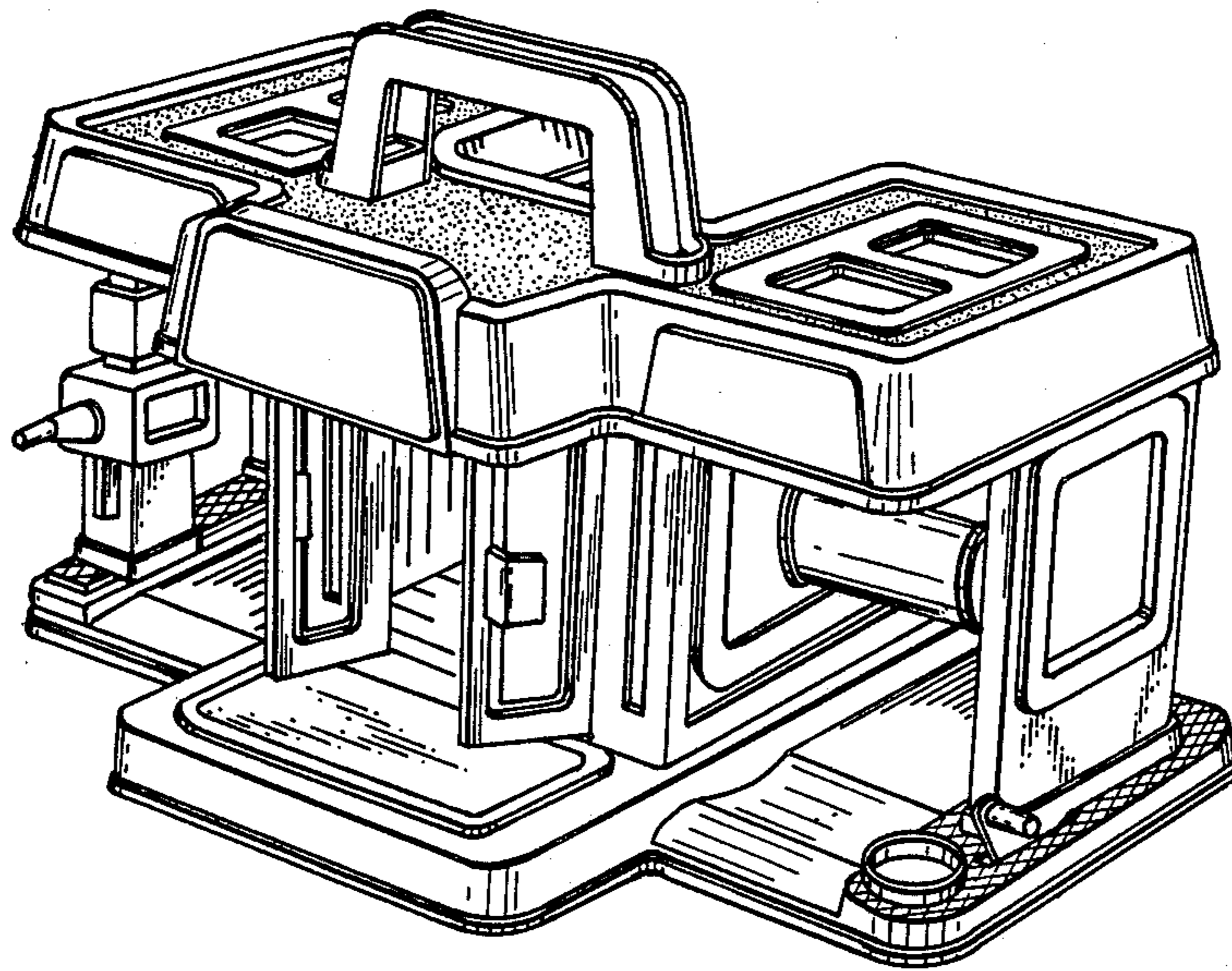
*Primary Examiner*—Charles A. Rademaker  
*Attorney, Agent, or Firm*—Cumpston & Shaw

[57] **CLAIM**

The ornamental design for a toy gasoline station, as shown.

### DESCRIPTION

FIG. 1 is a front perspective view of a toy gasoline station showing my new design; FIG. 2 is a right-side elevational view thereof; and FIG. 3 is a rear elevational view thereof.



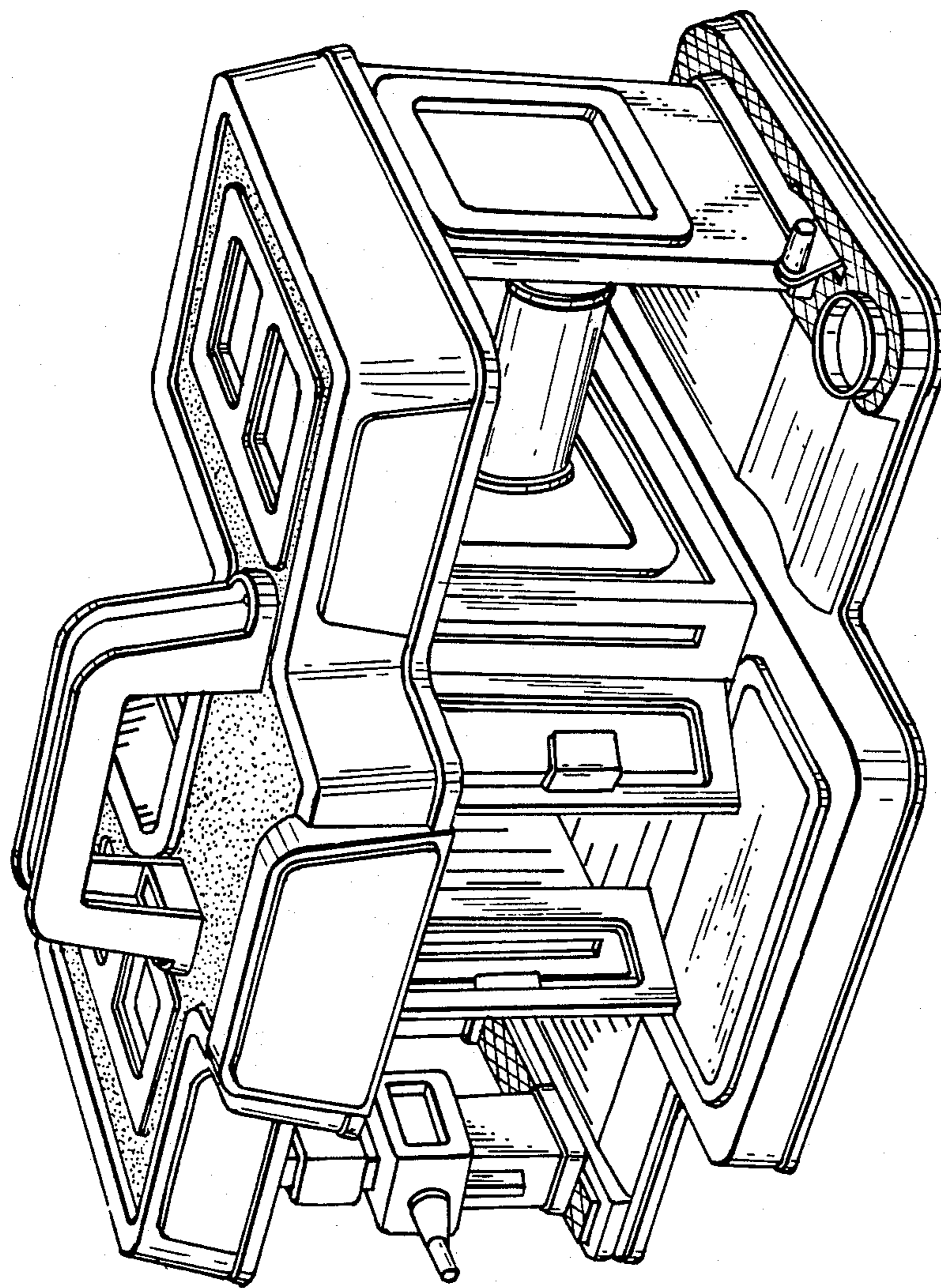


FIG. 1

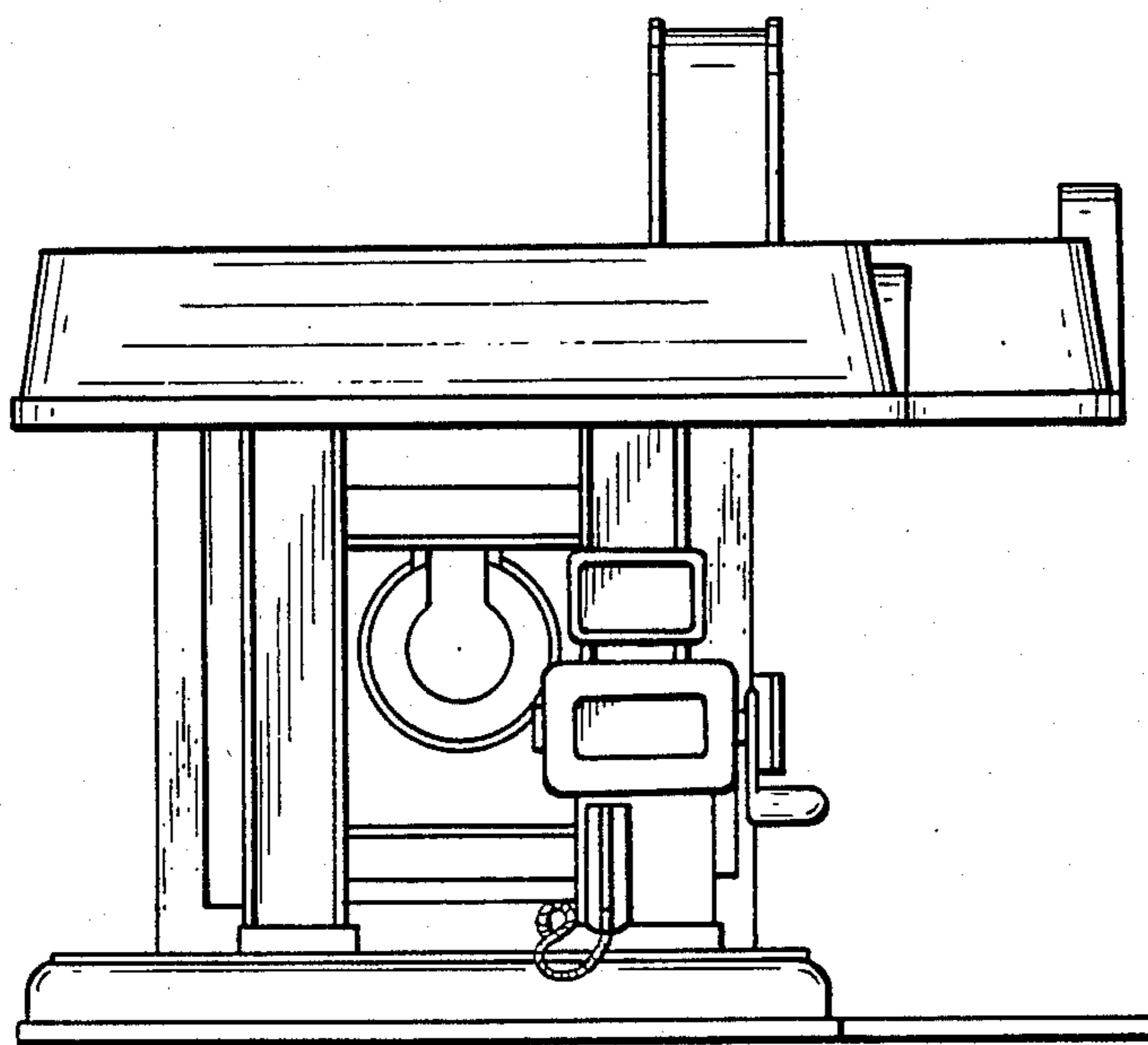


FIG. 2

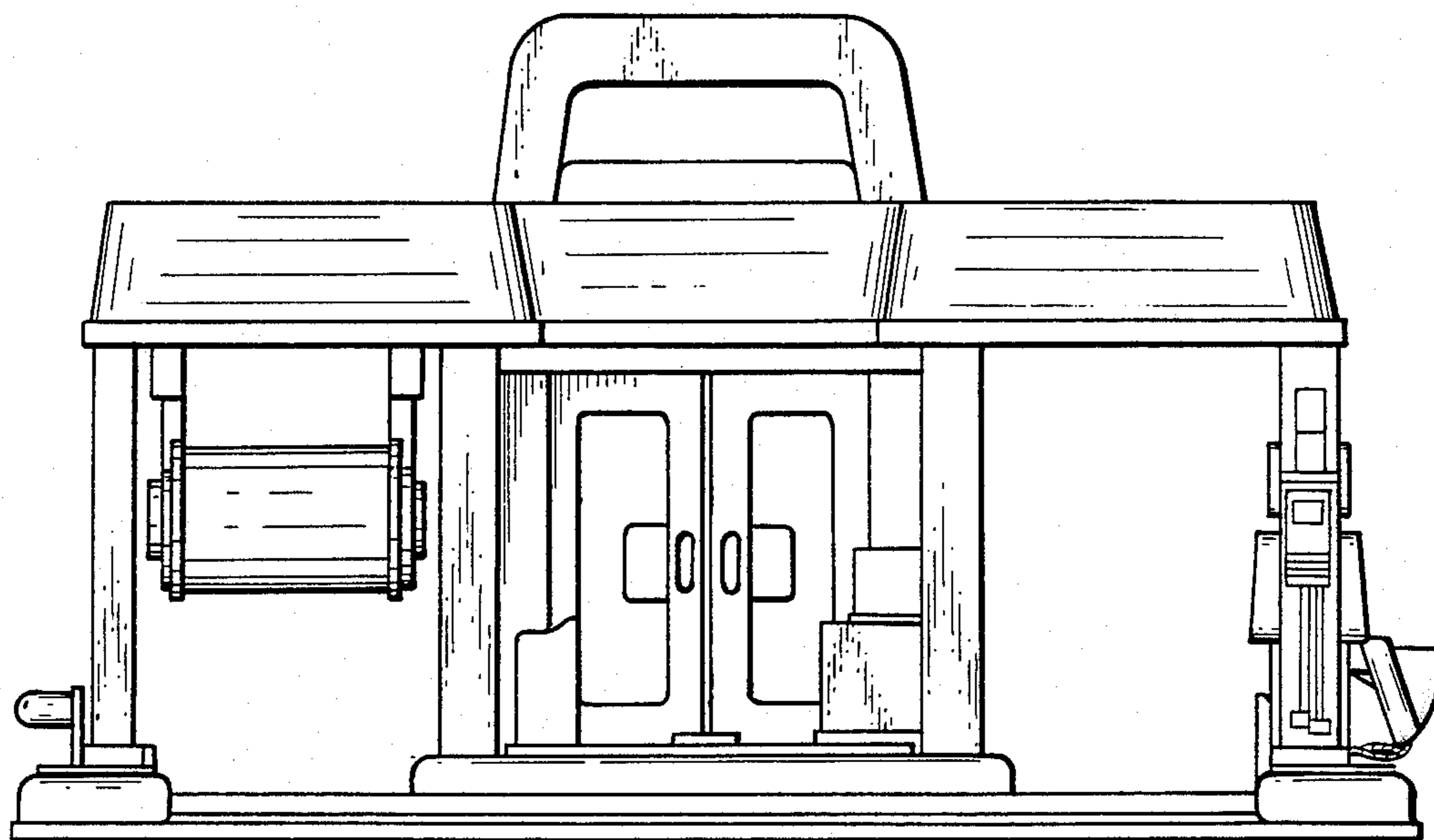


FIG. 3