

- [54] GLOVED TOY WITH WATER- AND LIGHT-EMITTING ACTION
- [75] Inventors: Bryan L. Dean, Torrington; Victor G. Reiling, Litchfield, both of Conn.
- [73] Assignee: Multi Toys Corp., Cresskill, N.J.
- [**] Term: 14 Years
- [21] Appl. No.: 55,115
- [22] Filed: May 28, 1987
- [52] U.S. Cl. D21/59; D21/145
- [58] Field of Search D21/59, 145, 146, 147; D22/104, 103; 446/15, 473, 401, 475, 26; 222/79; D2/614

- D. 203,062 11/1965 Wada D2/614
- 1,530,327 3/1925 Redlick D2/614
- 4,239,129 12/1980 Esposito 222/79

Primary Examiner—Charles A. Rademaker
Attorney, Agent, or Firm—Kirschstein, Ottinger, Israel & Schiffmiller

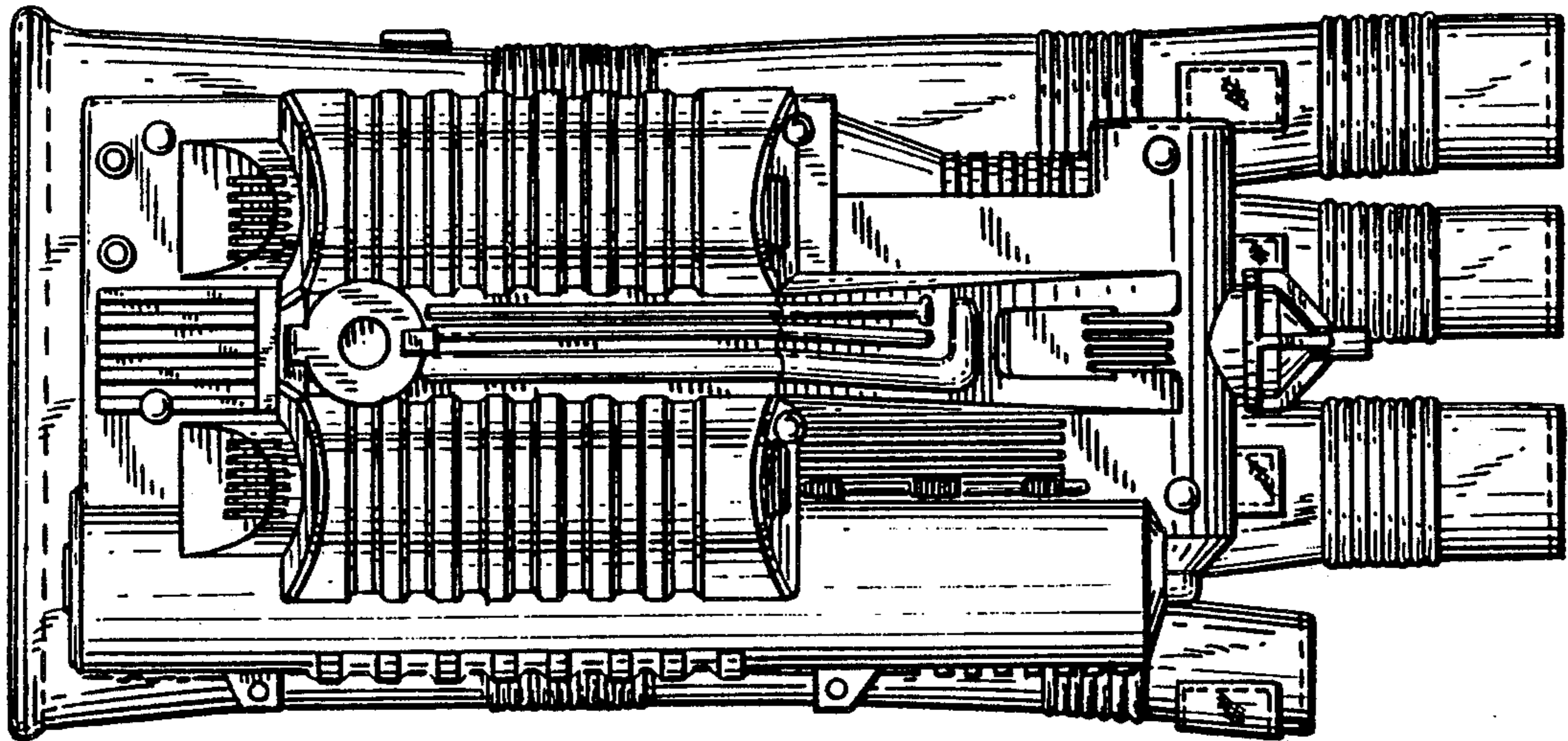
[57] CLAIM

The ornamental design for a gloved toy with water- and light-emitting action, as shown.

DESCRIPTION

FIG. 1 is a top plan view of a gloved toy with water- and light-emitting action showing our new design; FIG. 2 is a front elevational view thereof; FIG. 3 is a right side elevational view thereof; FIG. 4 is a rear elevational view thereof; FIG. 5 is a left side elevational view thereof; and FIG. 6 is a bottom plan view thereof.

- [56] References Cited
- U.S. PATENT DOCUMENTS
- D. 195,189 5/1963 Schulte D2/614



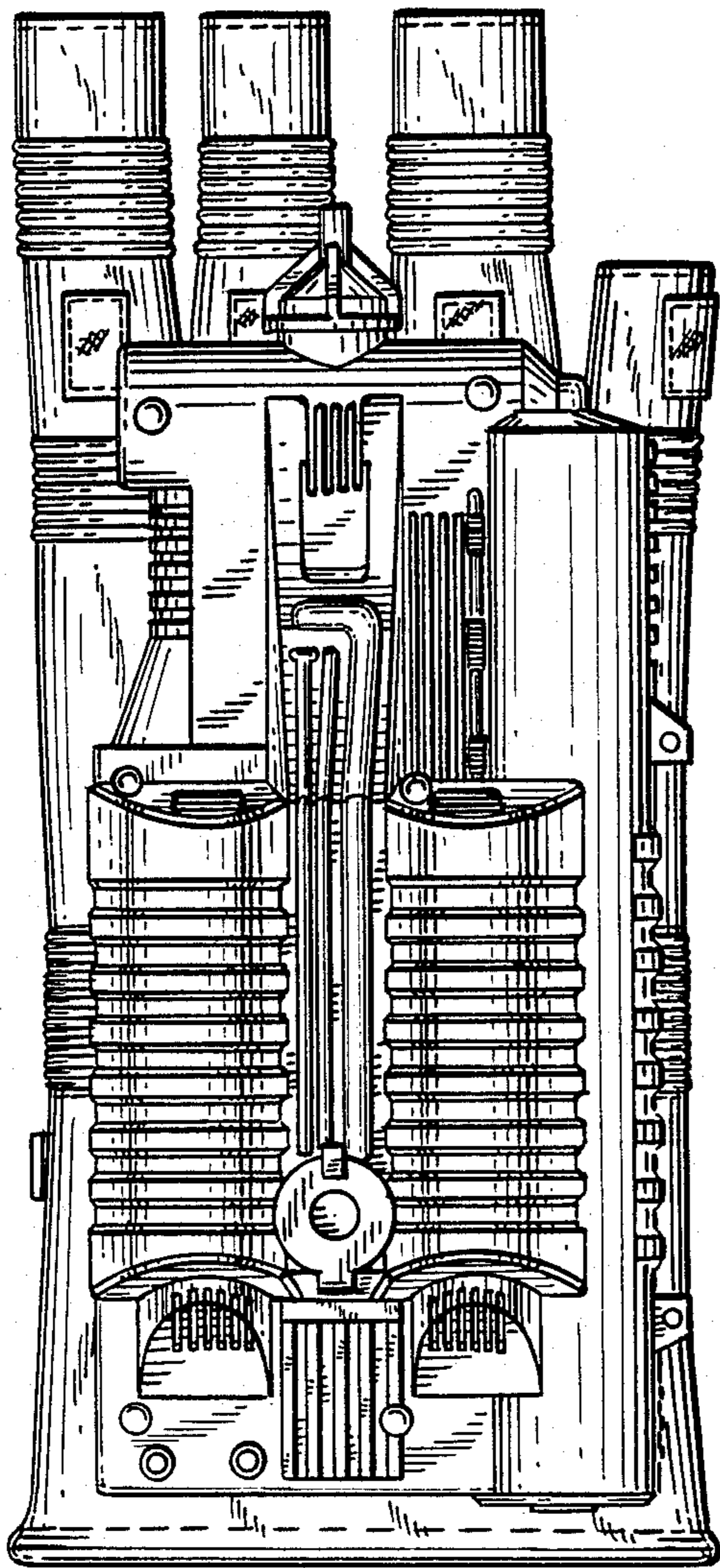


FIG. 1

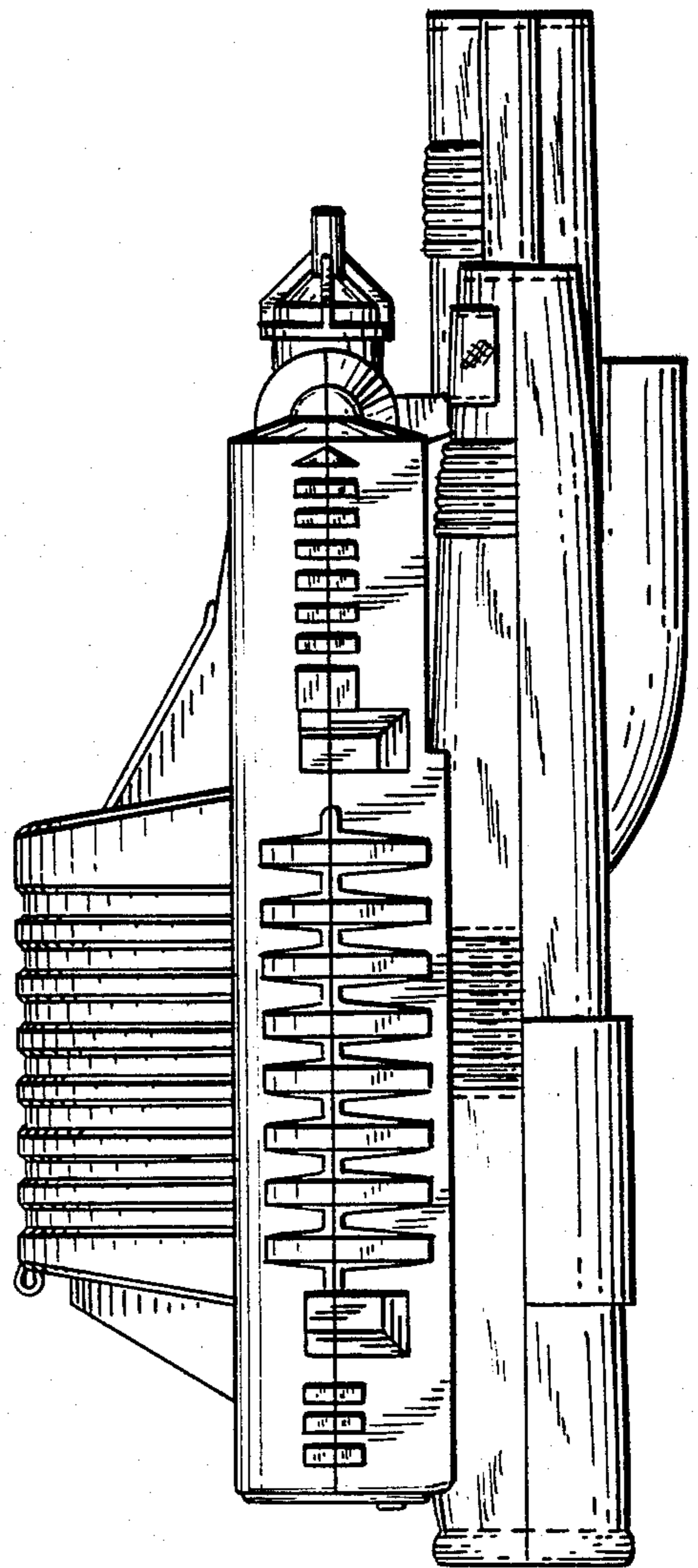
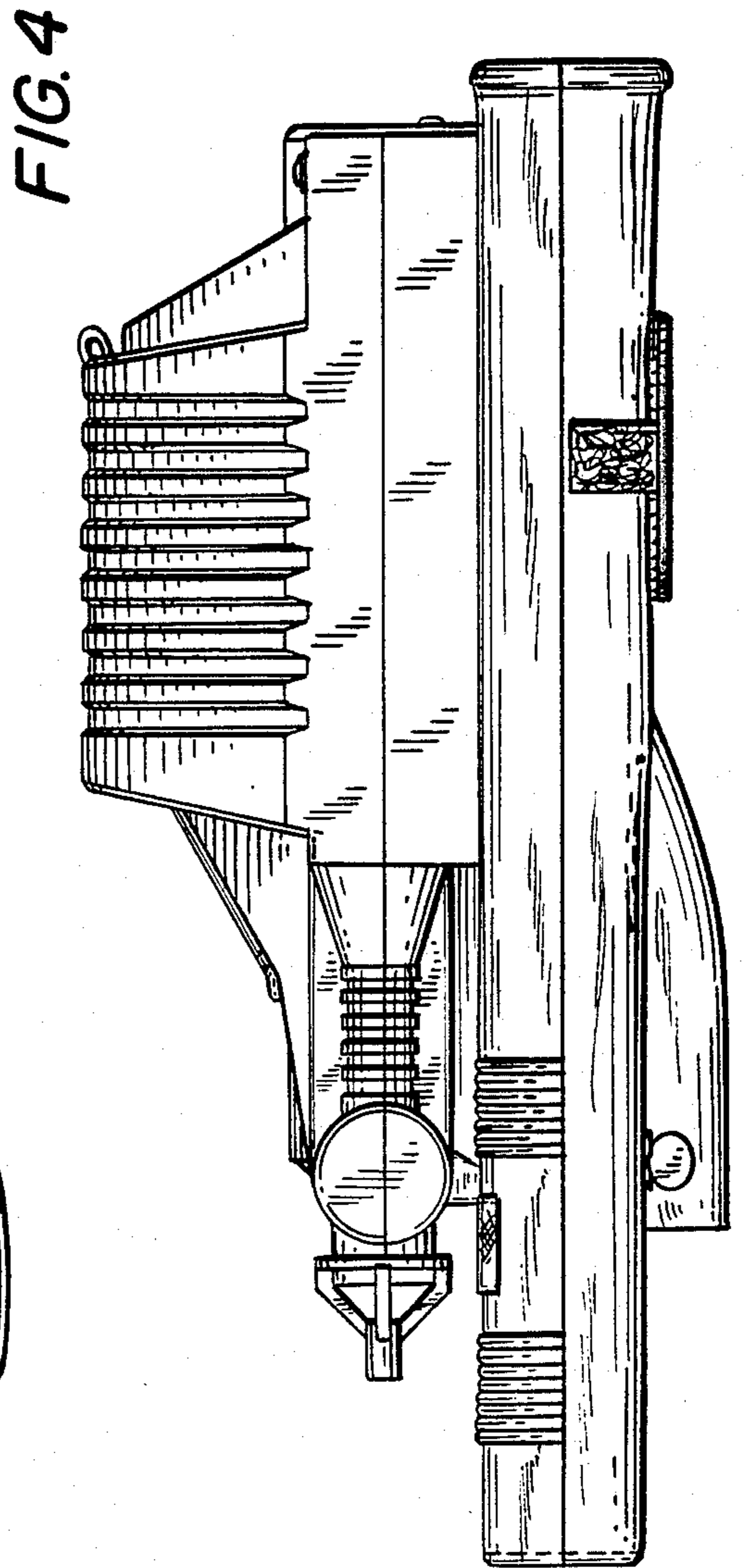
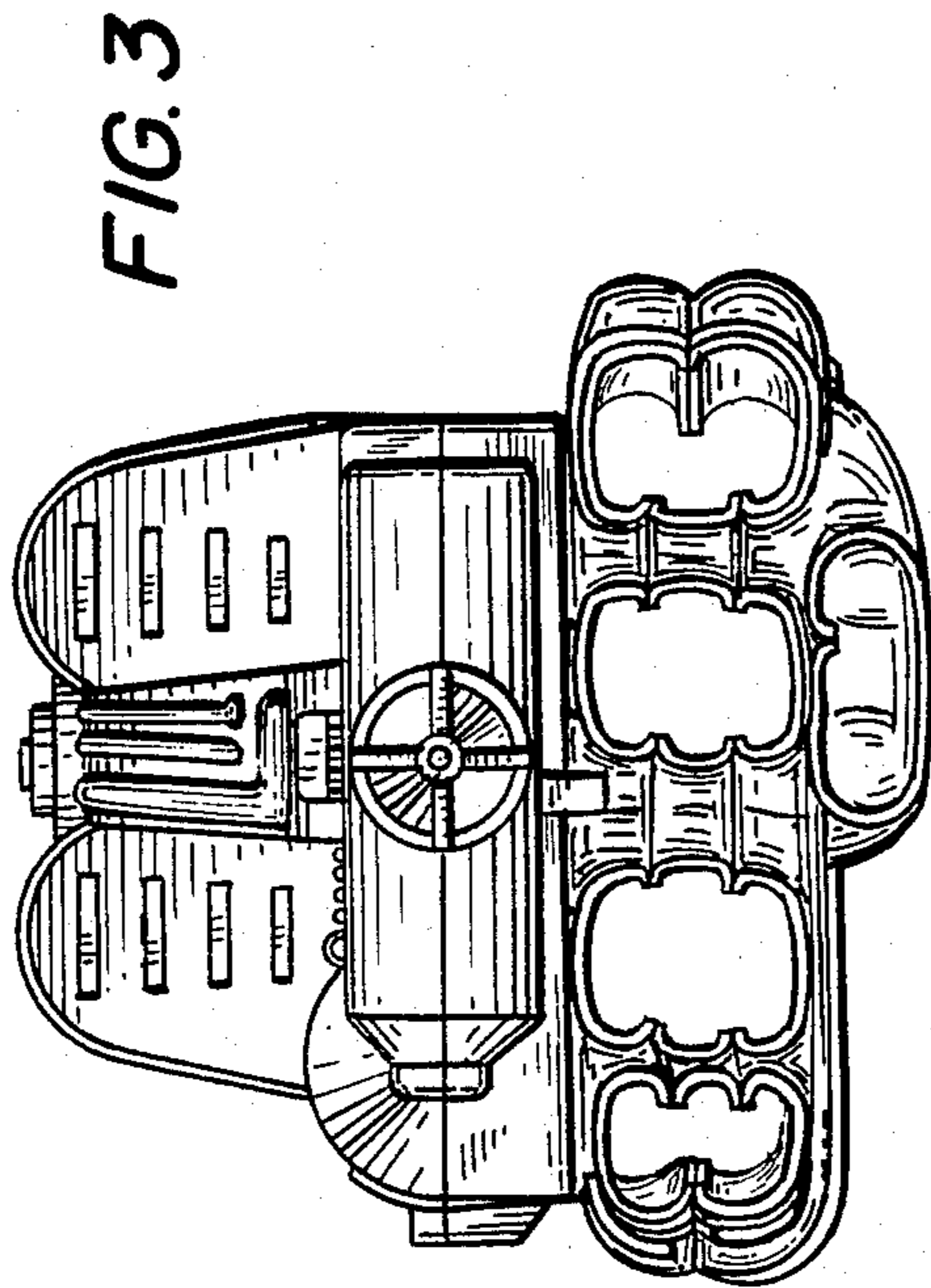


FIG. 2



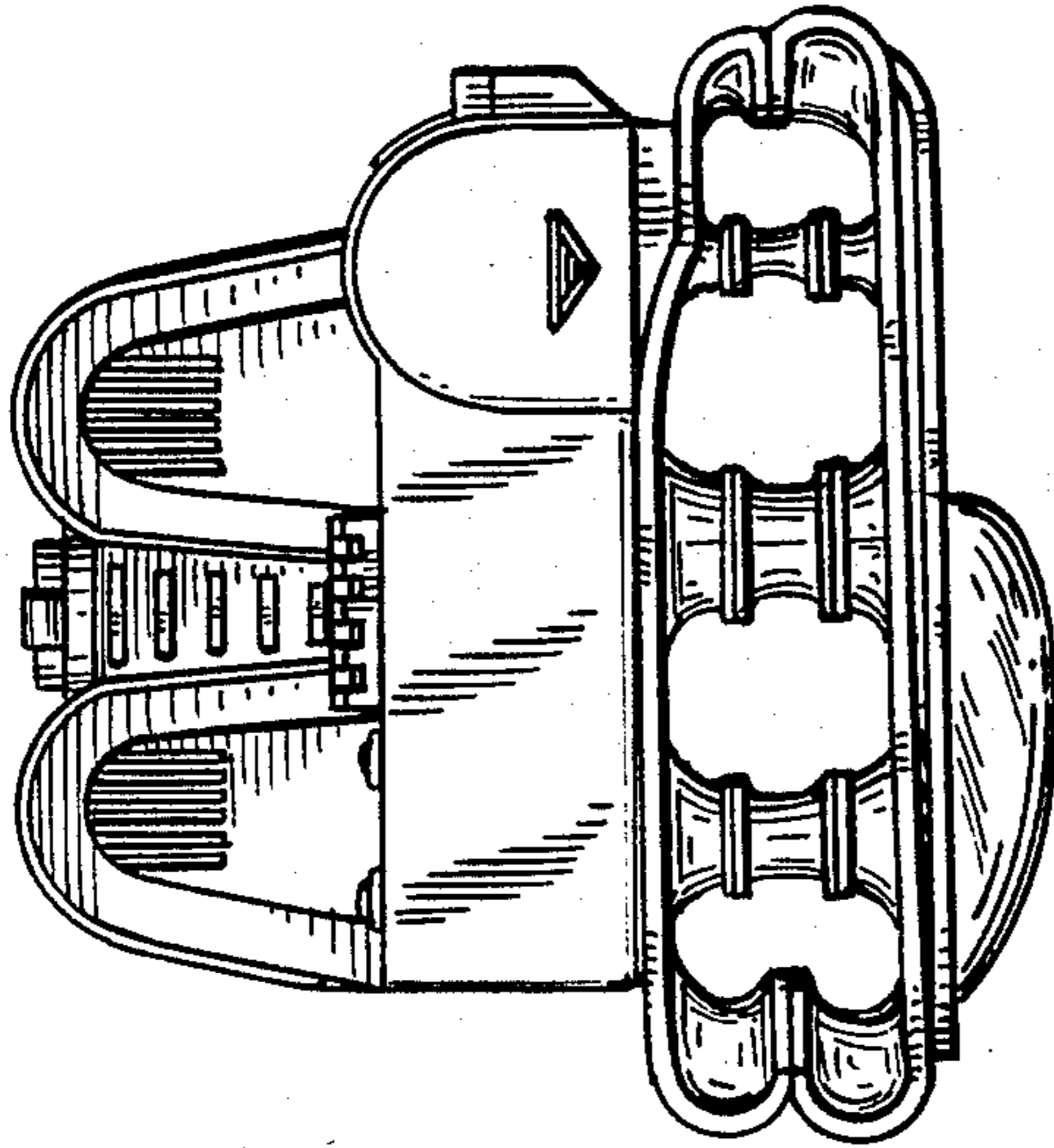


FIG. 5

FIG. 6

