

[54] JOYSTICK

[75] Inventor: Syng N. Kim, Hoffman Estates, Ill.

[73] Assignee: Wico Distribution Corp., Niles, Ill.

[**] Term: 14 Years

[21] Appl. No.: 912,560

[22] Filed: Sep. 29, 1986

[52] U.S. Cl. D21/48; D13/32

[58] Field of Search D13/11, 12, 32, 37; D21/13, 48; 200/5 A, 6 A; 273/DIG. 28, 1 E, 1 ES, 85 G; 340/709; 178/18-20

[56] References Cited

U.S. PATENT DOCUMENTS

D. 271,220	11/1983	Fox et al.	D13/12
2,622,161	12/1952	Harter, Jr.	200/6 A
4,476,356	10/1984	Nakayama et al.	200/6 A

Primary Examiner—Melvin B. Feifer

Assistant Examiner—William Krawczewicz
Attorney, Agent, or Firm—Emrich & Dithmar

[57] CLAIM

The ornamental design for a joystick, as shown and described.

DESCRIPTION

FIG. 1 is a side elevational view of one side of a joystick incorporating my new design;

FIG. 2 is a side elevational view of the other side thereof;

FIG. 3 is a rear elevational view thereof;

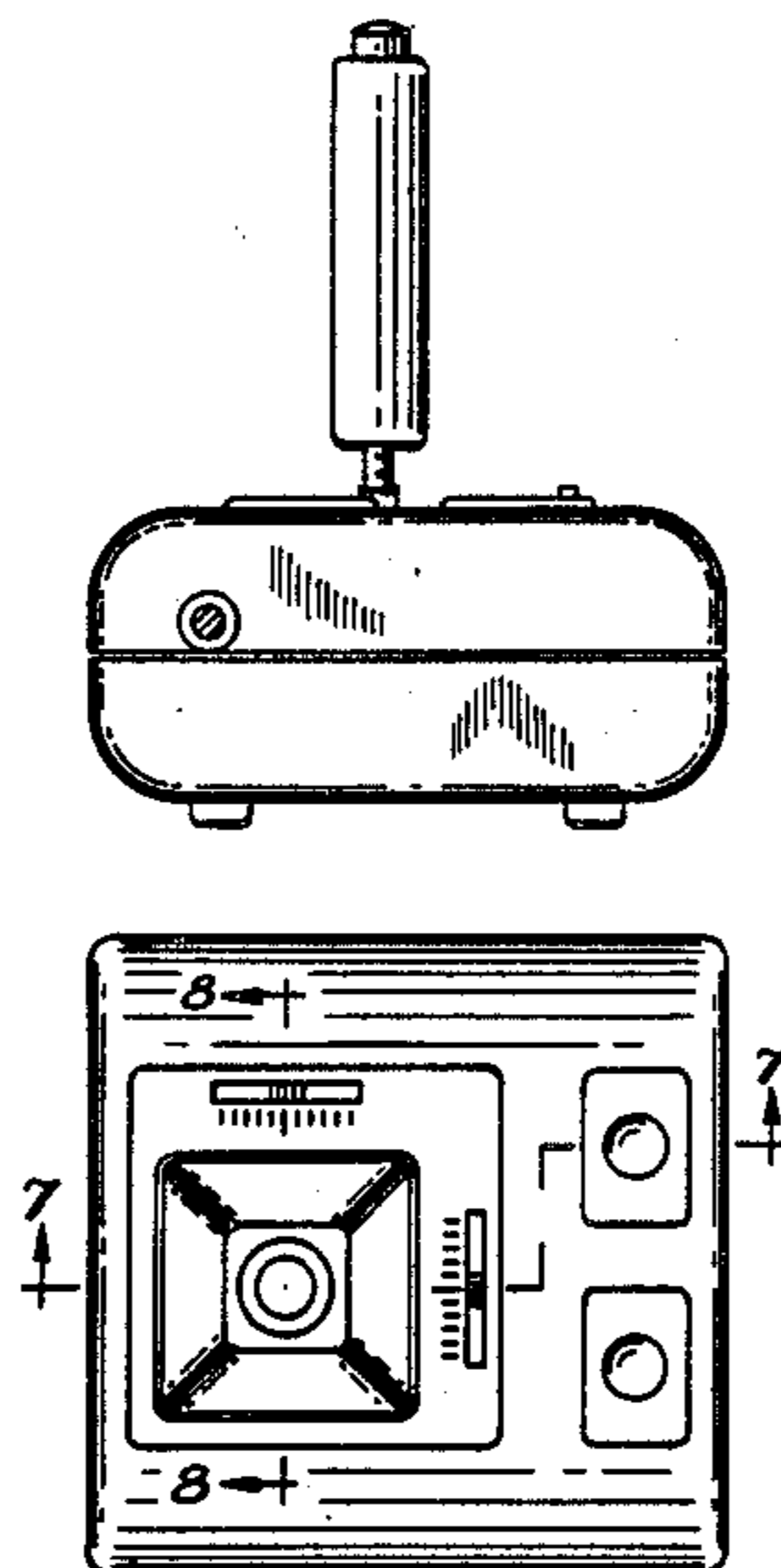
FIG. 4 is a front elevational view thereof;

FIG. 5 is a top plan view thereof;

FIG. 6 is a bottom plan view thereof;

FIG. 7 is a view in vertical cross section taken in the direction of the arrows along the line 7—7 of FIG. 5; and

FIG. 8 is a fragmentary view taken in the direction of the arrows along the line 8—8 of FIG. 5.



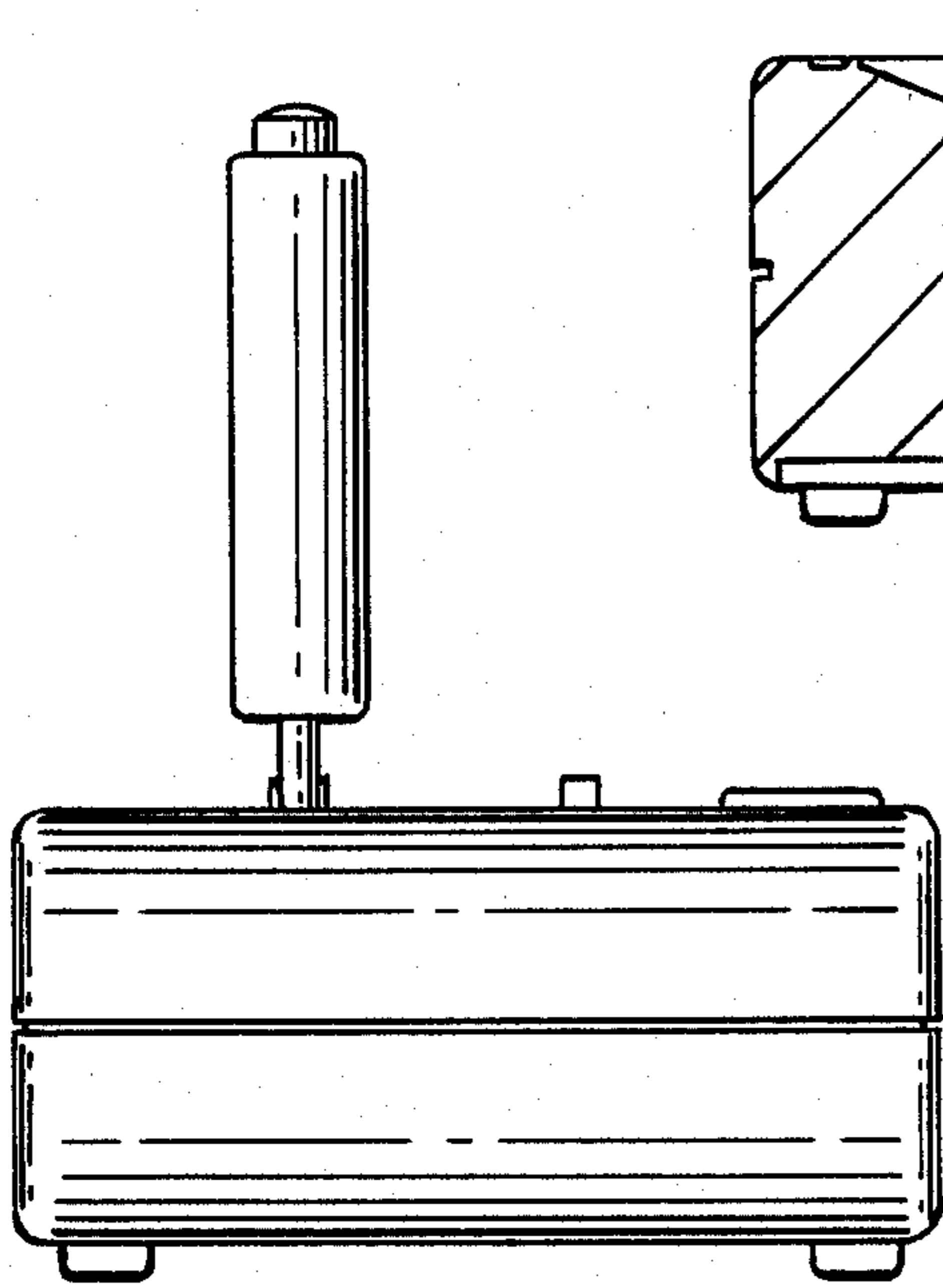


FIG. 1

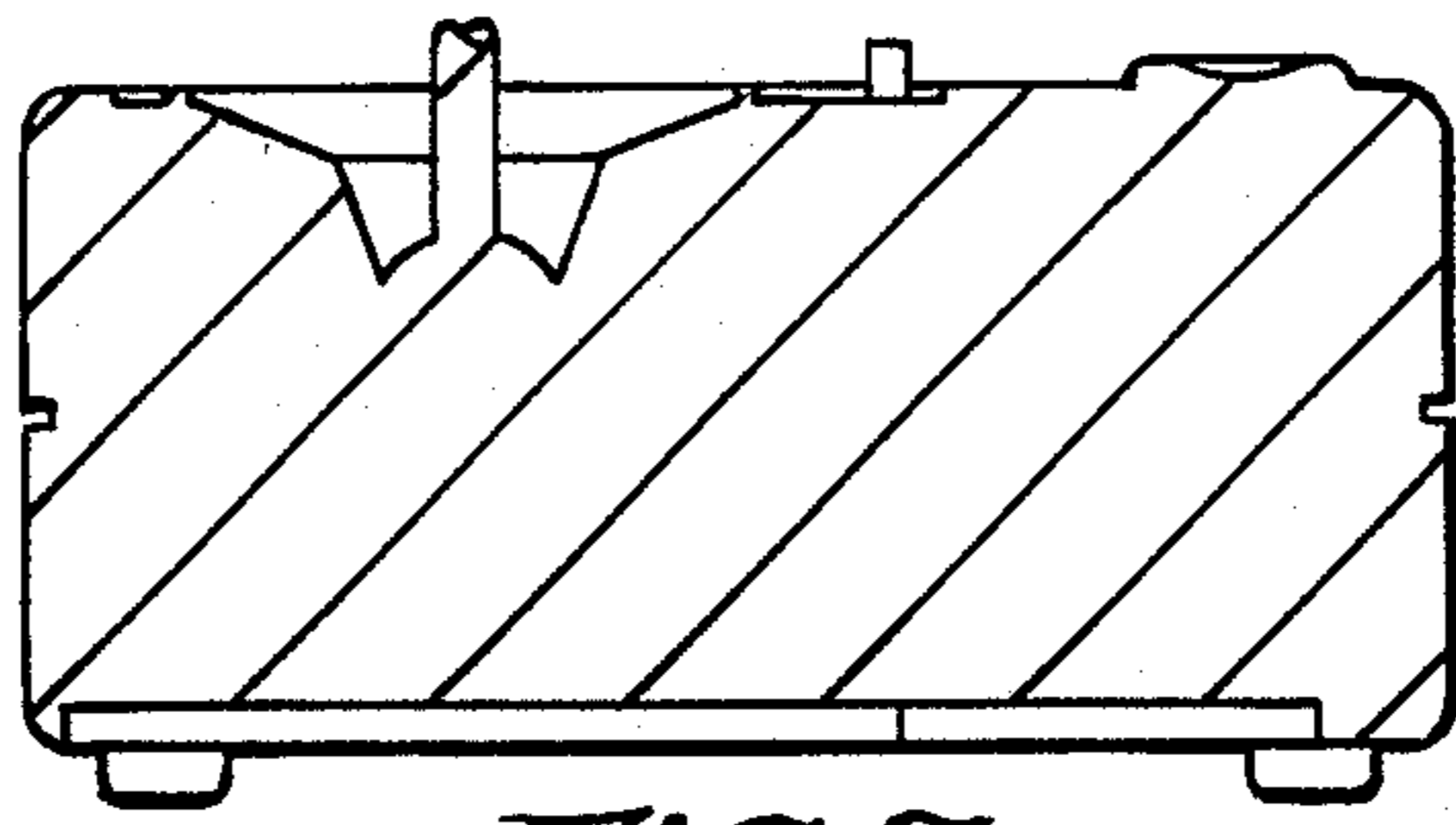


FIG. 7

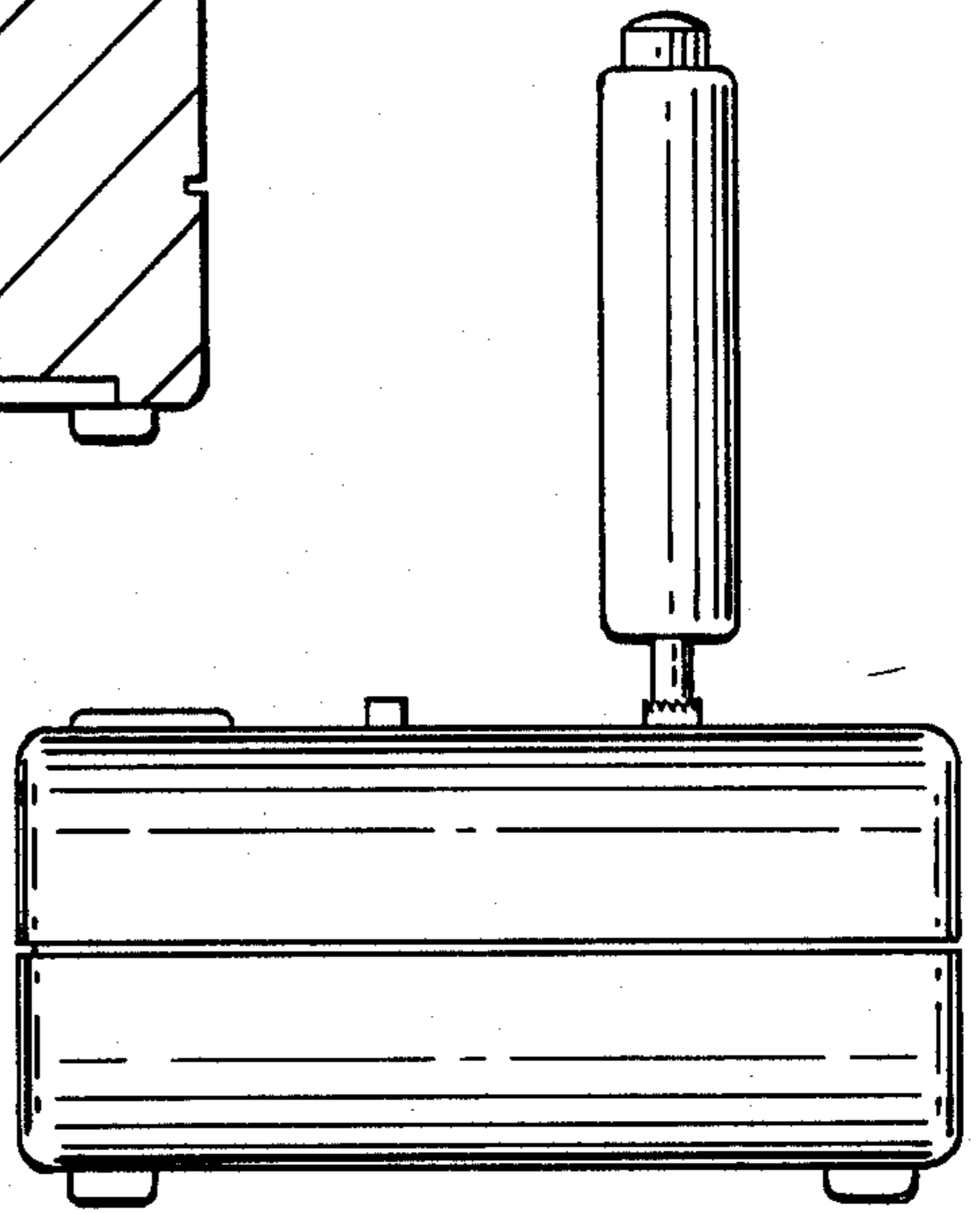


FIG. 2

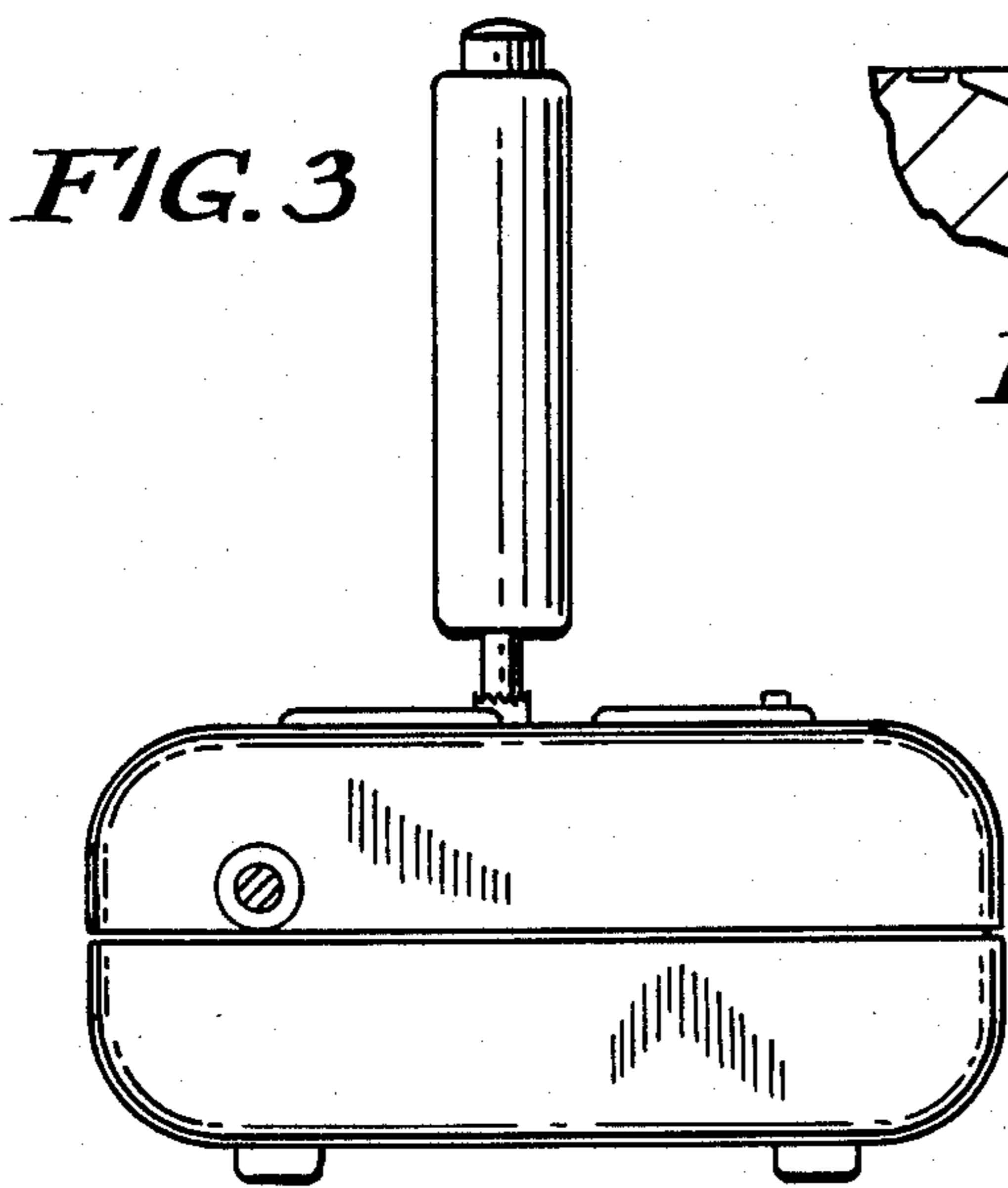


FIG. 3

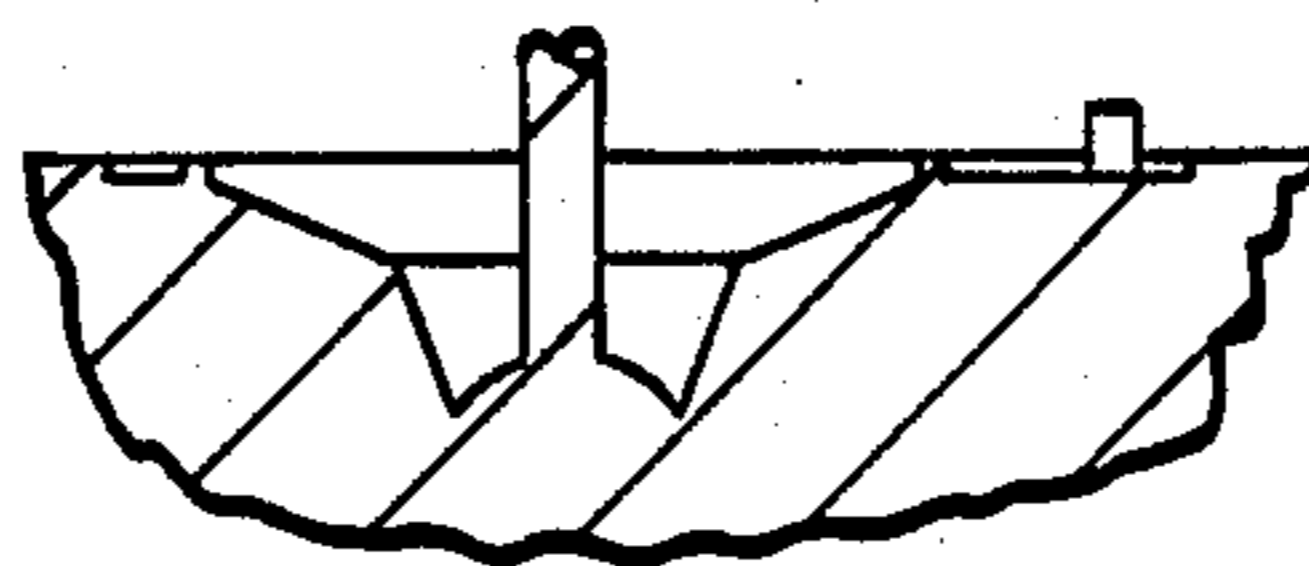


FIG. 8

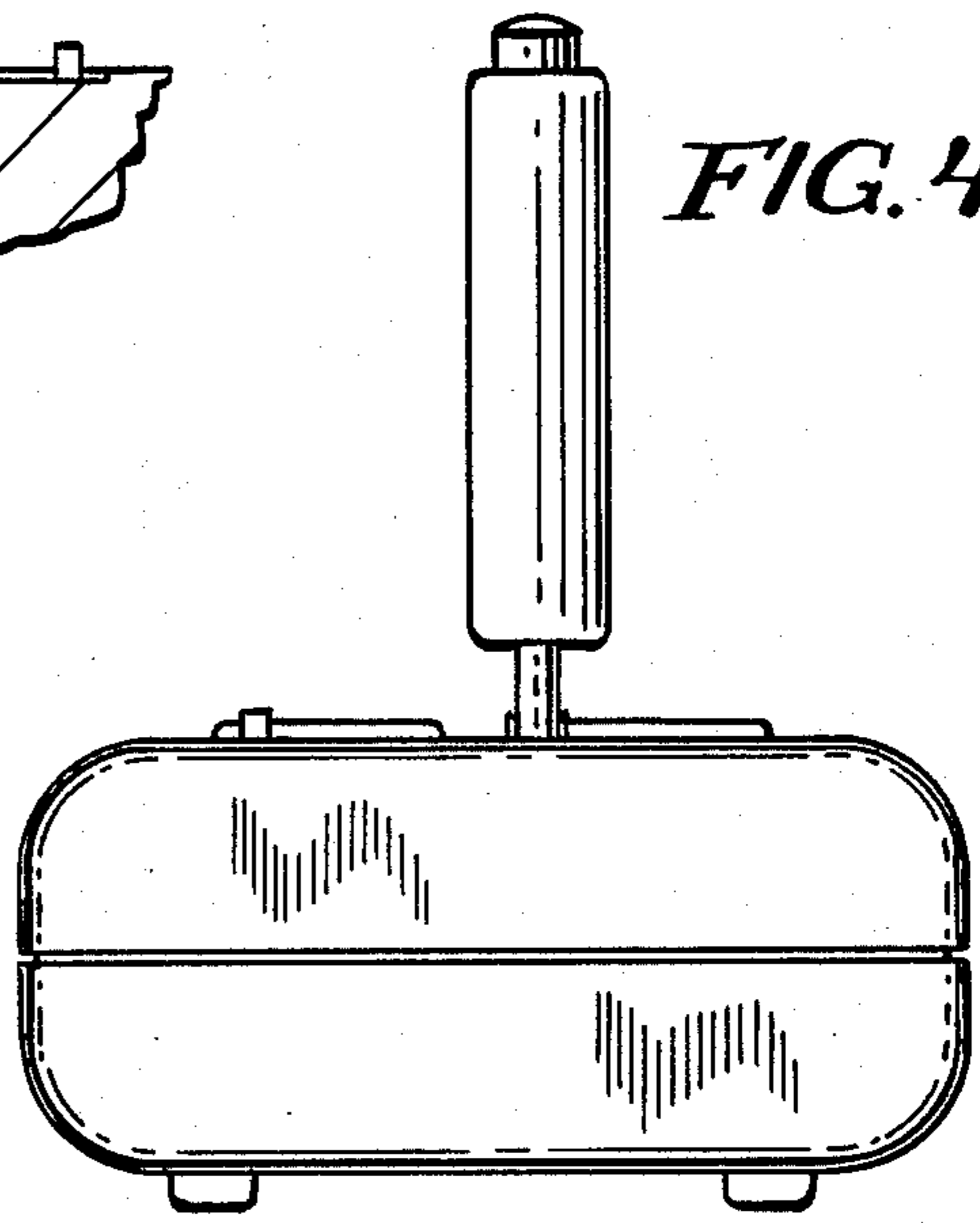


FIG. 4

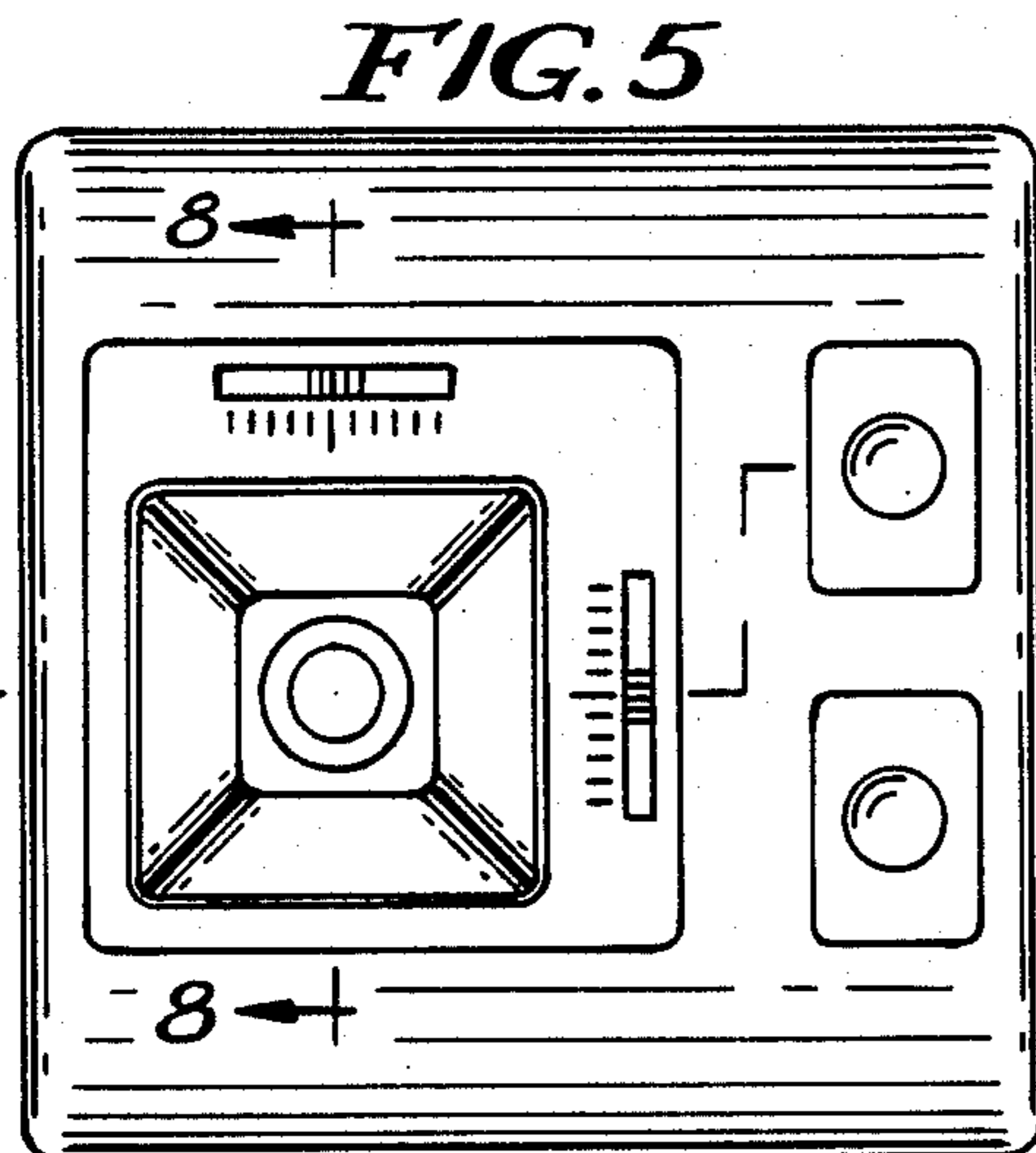


FIG. 5

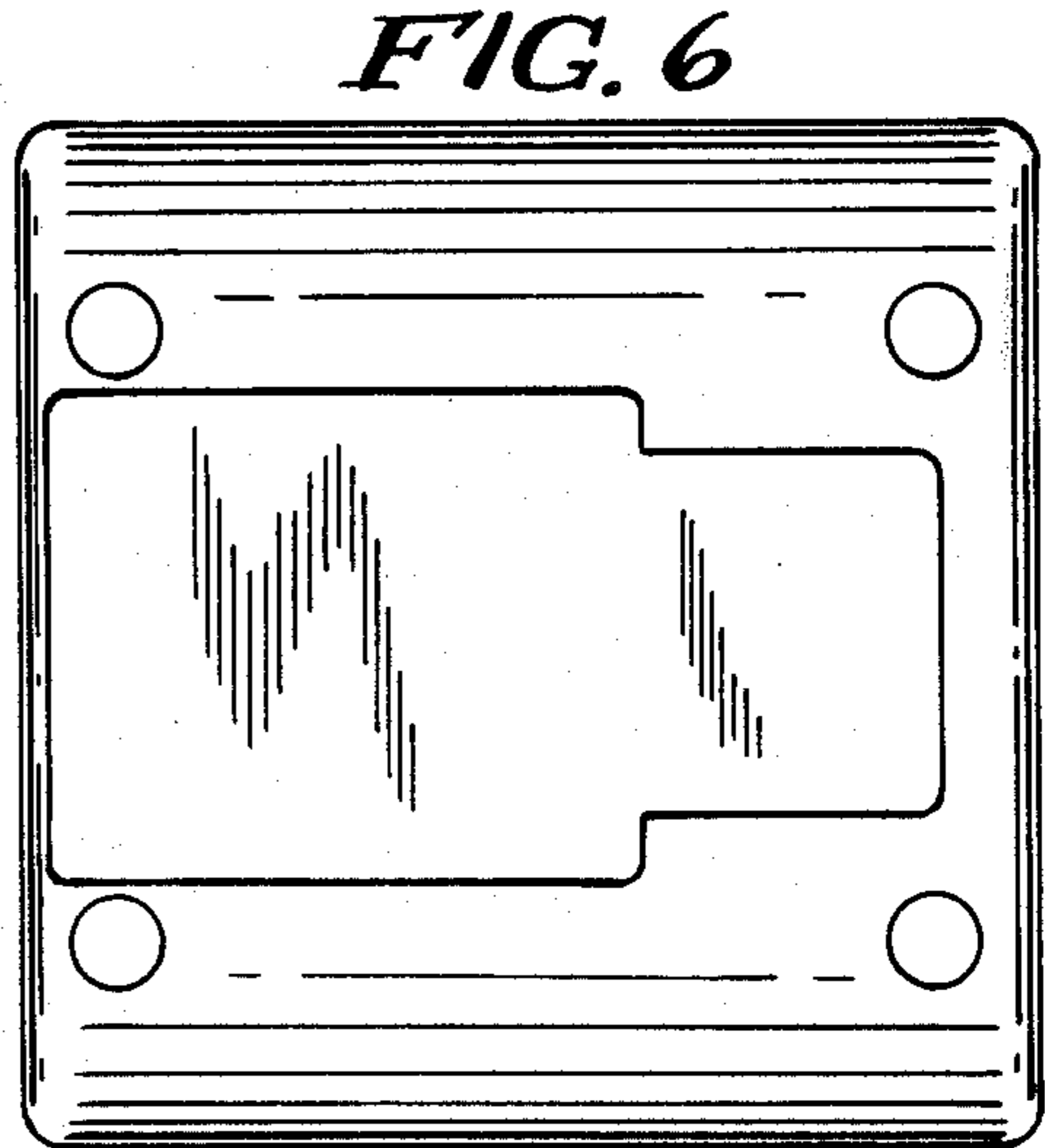


FIG. 6