

[54] TAIL RUDDER ELEMENT FOR A TOY AIRCRAFT

[75] Inventor: Erik P. Tapdrup, Virum, Denmark

[73] Assignee: Interlego A.G., Baar, Switzerland

[\*\*] Term: 14 Years

[21] Appl. No.: 128,526

[22] Filed: Dec. 2, 1987

[52] U.S. Cl. .... D21/91; D21/108

[58] Field of Search ..... D12/319, 320, 323, 325; D21/82, 84, 85, 86, 87, 90, 91, 108, 150; 446/36, 85, 88, 93, 94, 108, 116, 118, 120, 220, 225, 230, 231, 232

[56] References Cited

U.S. PATENT DOCUMENTS

D. 279,697 7/1985 Tapdrup ..... D21/108

D. 280,533 9/1985 Pedersen ..... D21/108

Primary Examiner—Charles A. Rademaker

Assistant Examiner—Alicia A. Farrell

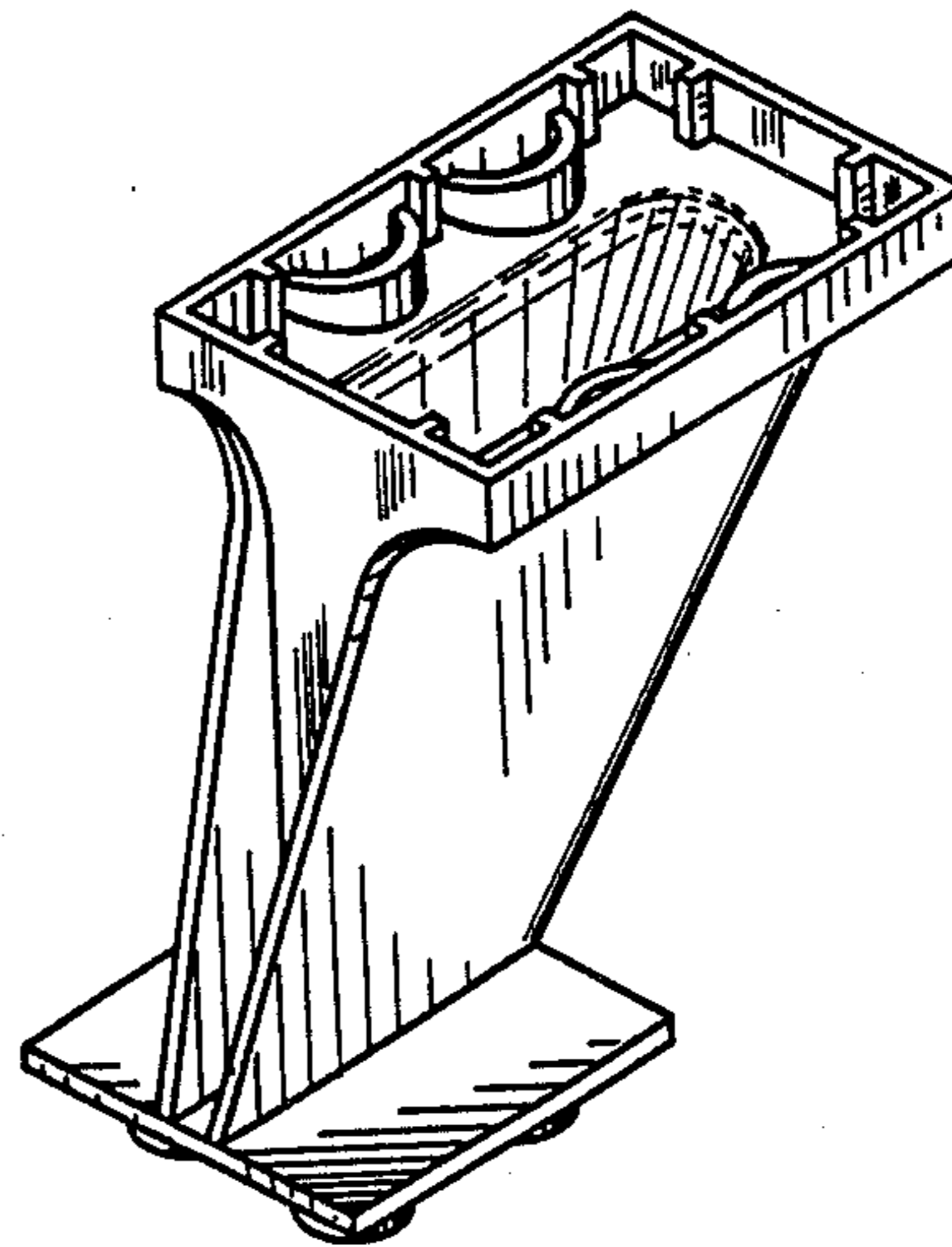
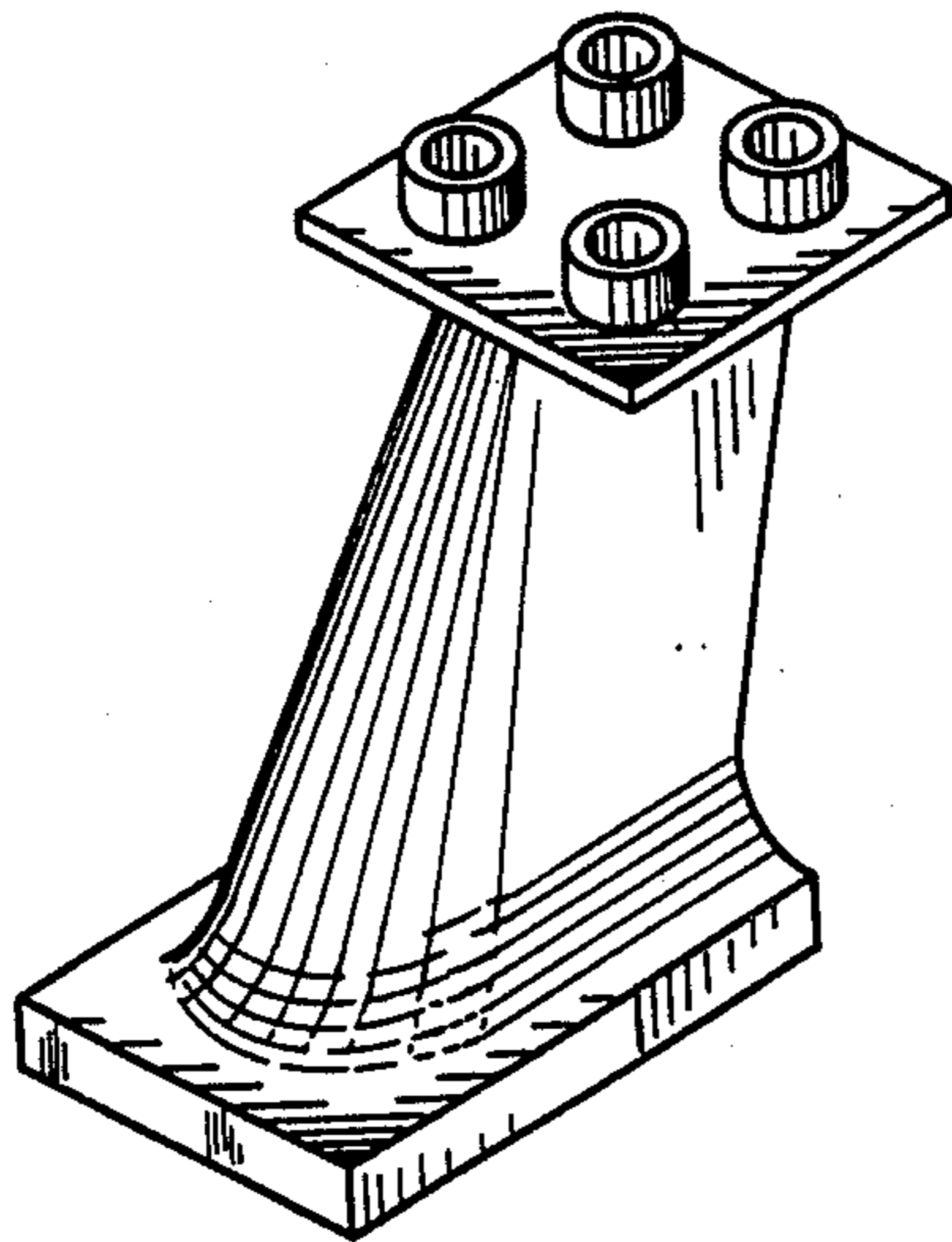
Attorney, Agent, or Firm—Kane, Dalsimer, Sullivan, Kurucz, Levy, Eisele and Richard

[57] CLAIM

The ornamental design for a tail rudder element for a toy aircraft, as shown and described.

DESCRIPTION

FIG. 1 is a top perspective view of a tail rudder element for a toy aircraft showing my new design; FIG. 2 is a bottom perspective view thereof; FIG. 3 is a top plan view thereof; FIG. 4 is a side elevational view thereof; the side opposite being a mirror image; FIG. 5 is a front elevational view thereof; FIG. 6 is a rear elevational view thereof; and FIG. 7 is a bottom plan view thereof.



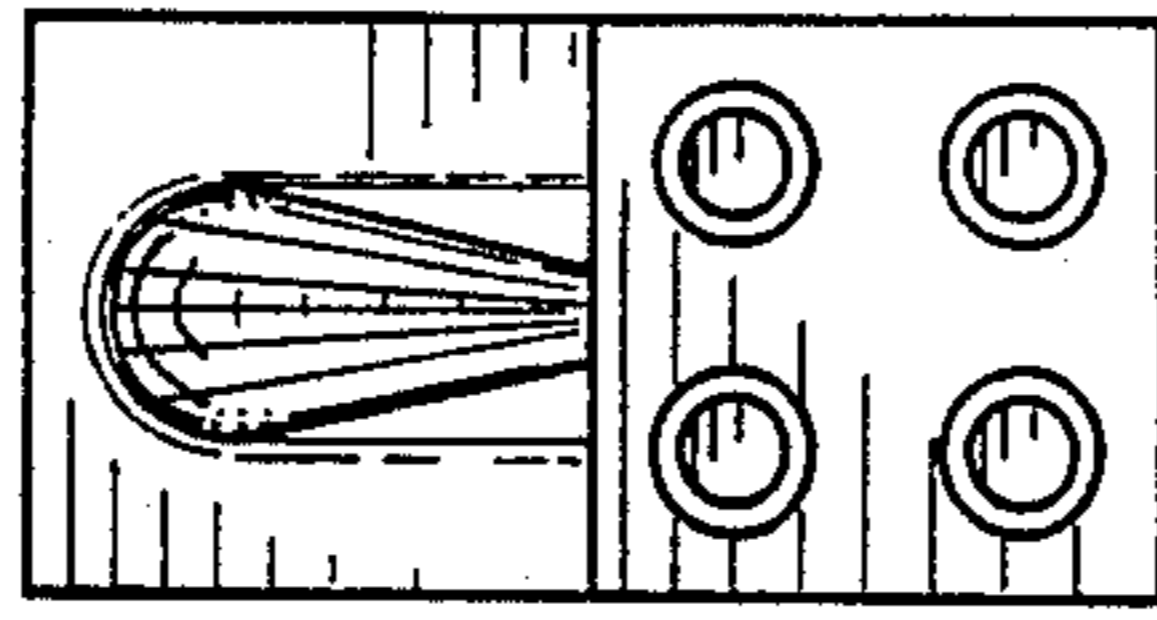


FIG.3

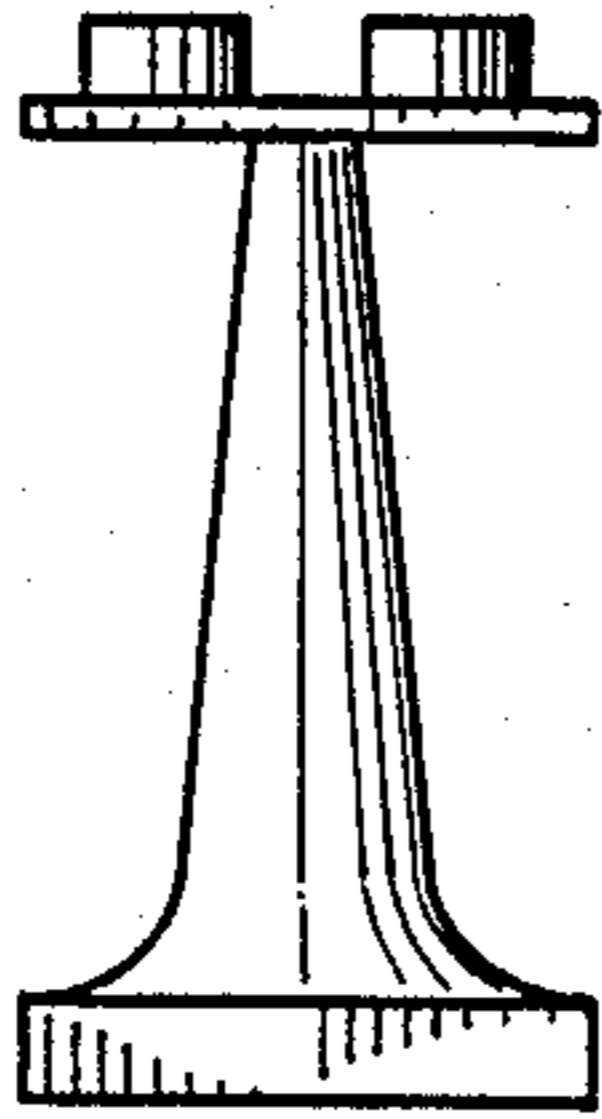


FIG.5

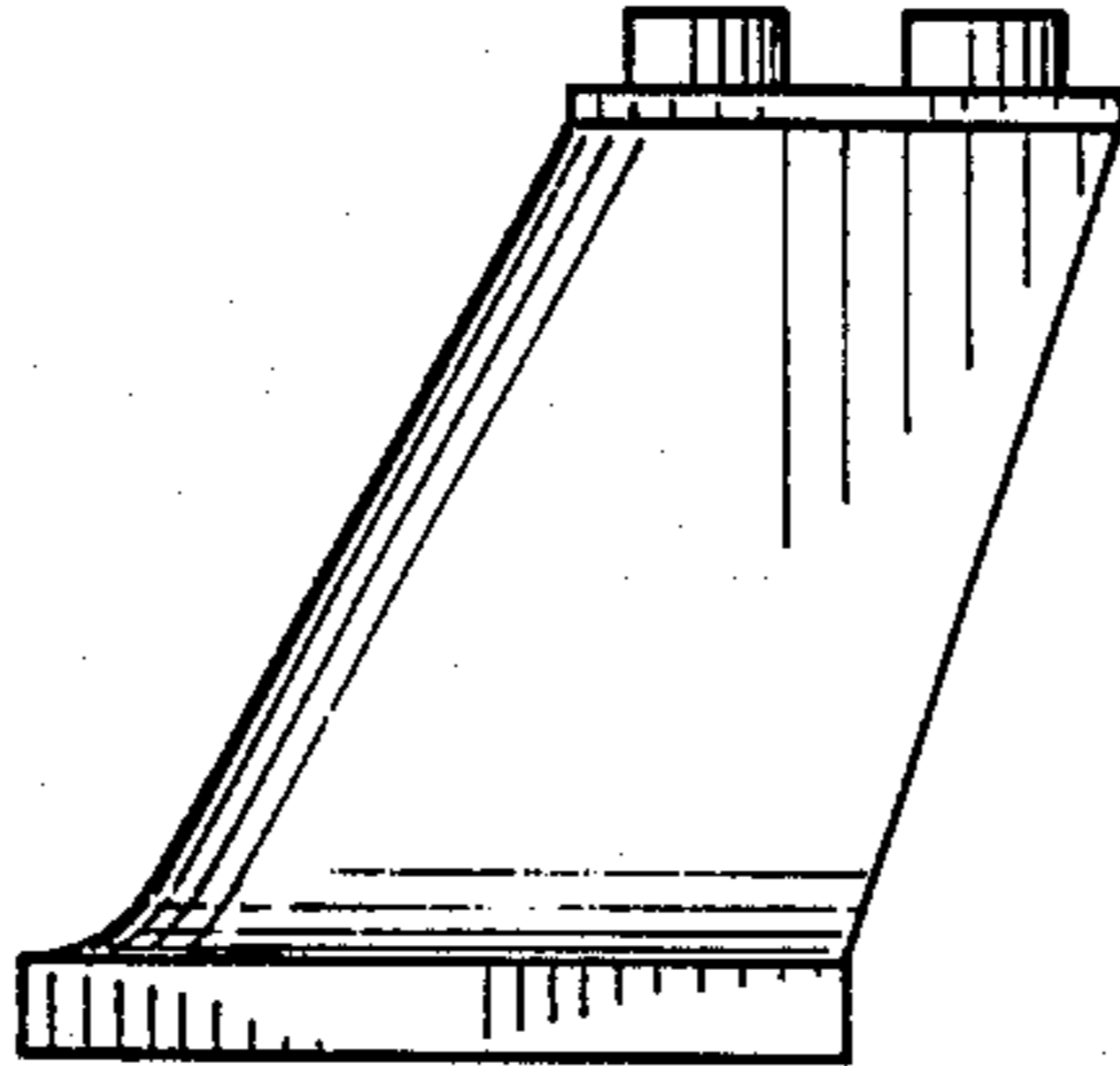


FIG.4

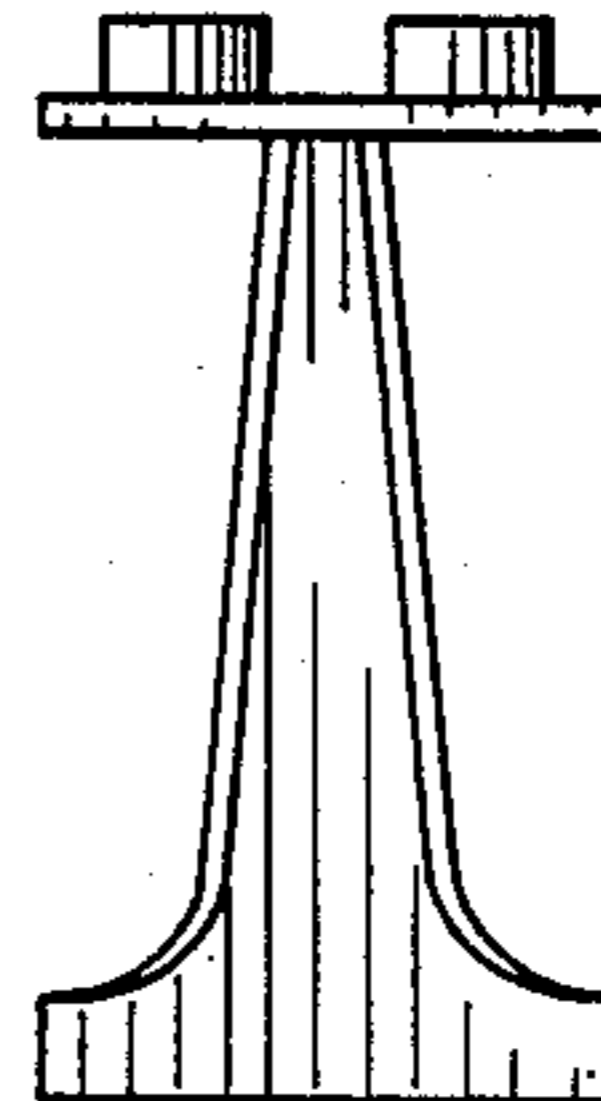


FIG.6

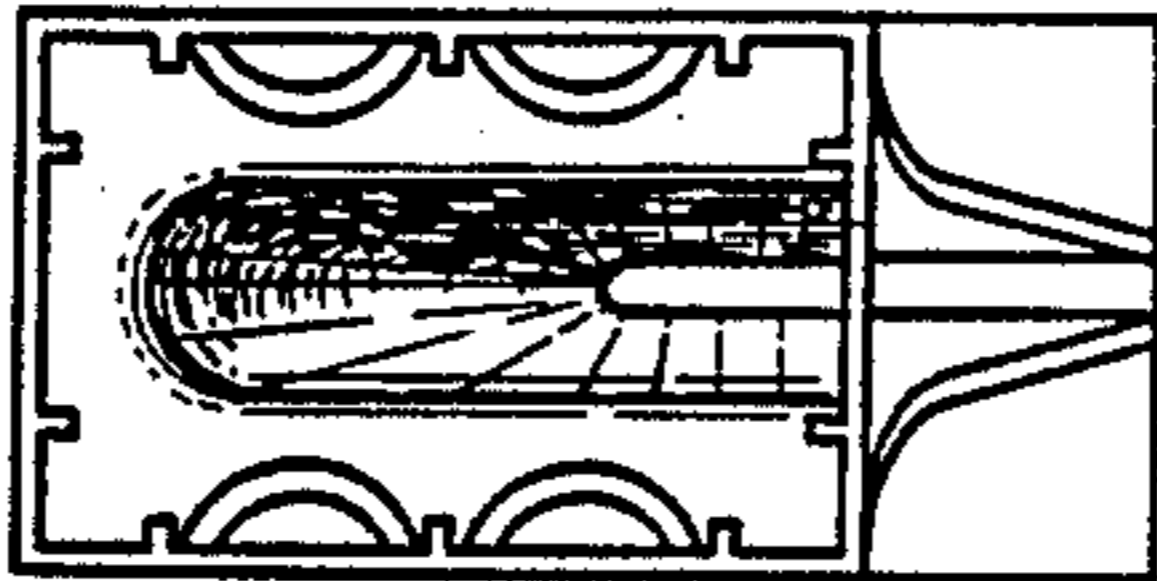


FIG.7

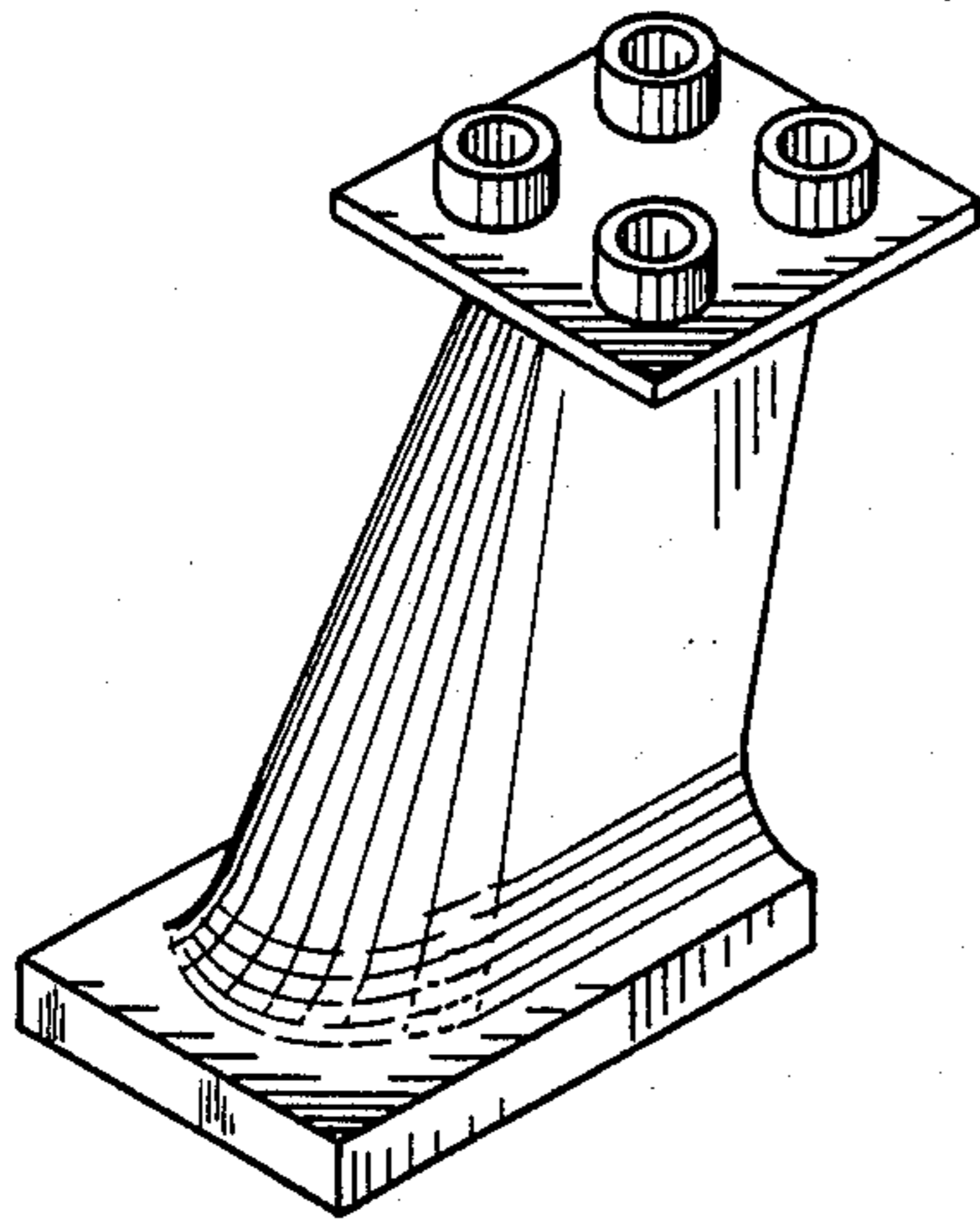


FIG.1

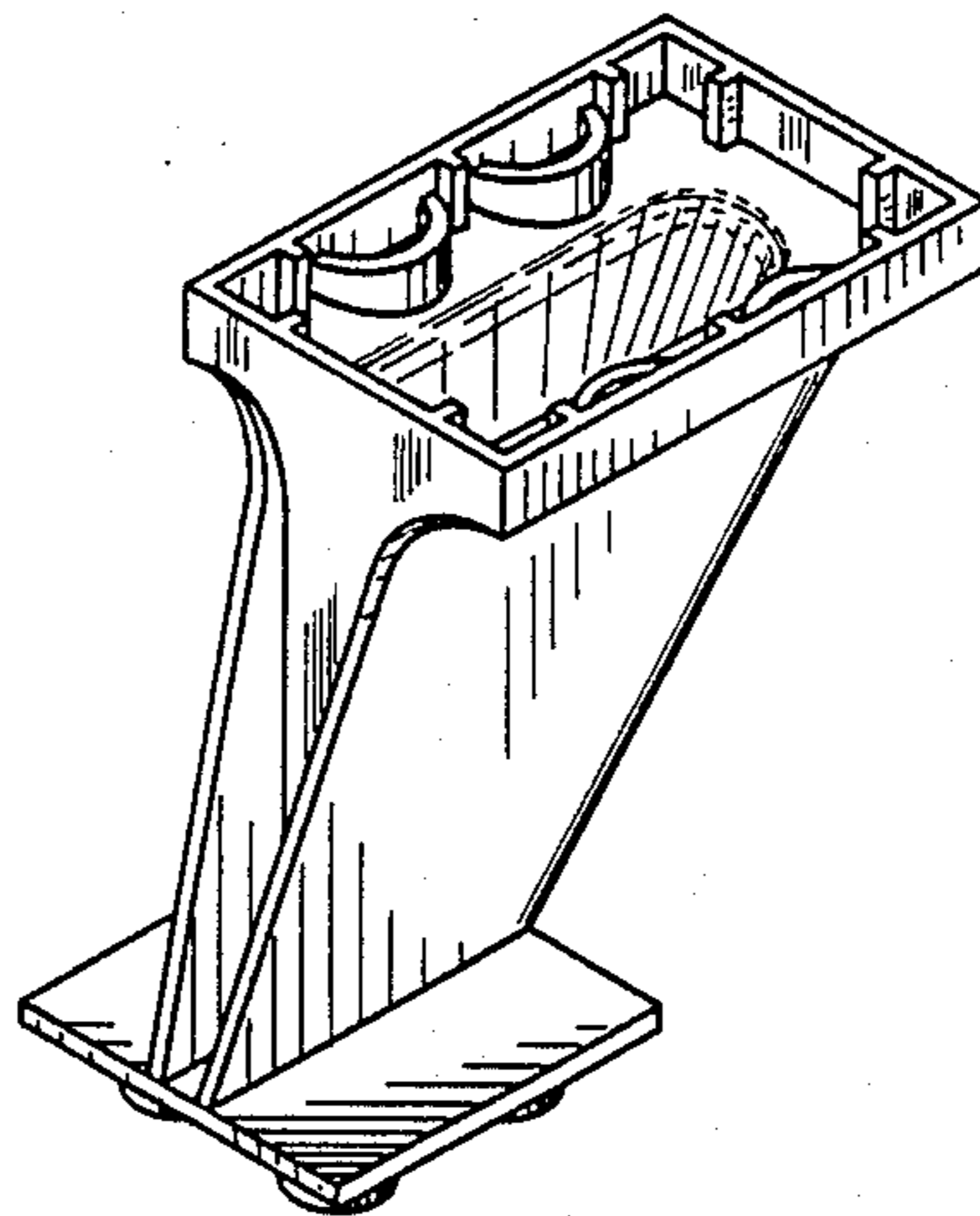


FIG.2