

[54] **PORTABLE SIGN**

[76] **Inventor: Morris W. Brown, 115 Northridge, Baytown, Tex. 77521**

[\*\*] **Term: 14 Years**

[21] **Appl. No.: 820,083**

[22] **Filed: Jan. 21, 1986**

[52] **U.S. Cl. .... D20/10**

[58] **Field of Search ..... D20/10, 16-21, D20/41, 42, 43; 40/541, 564, 568, 575, 576, 591, 592, 584, 605, 606, 607, 611, 612**

[56] **References Cited**

**U.S. PATENT DOCUMENTS**

D. 104,941 6/1937 Karst ..... D20/10  
D. 115,418 6/1939 Mueller ..... D20/10  
2,710,472 6/1955 Leander ..... D20/21 X

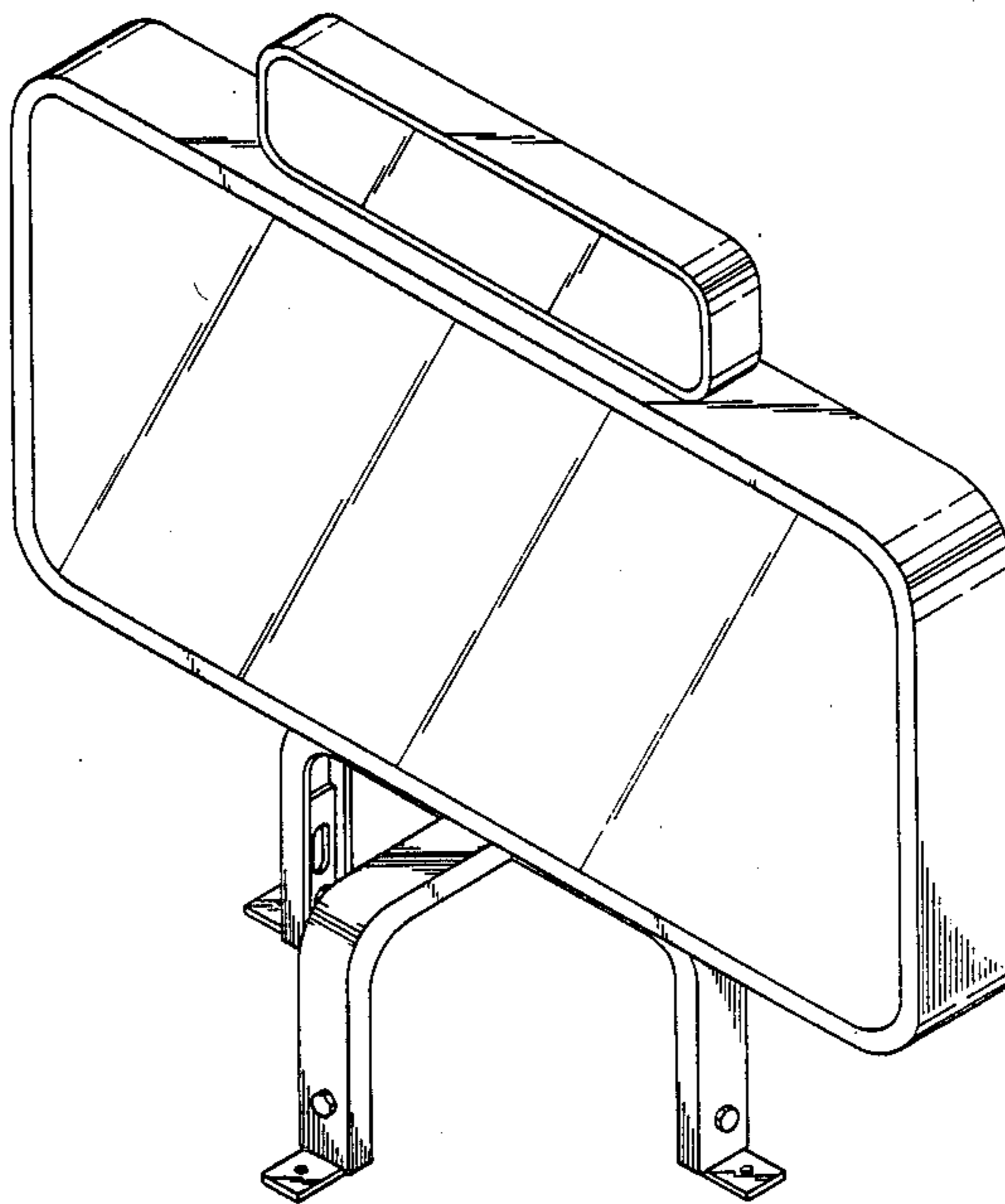
*Primary Examiner—Susan J. Lucas  
Attorney, Agent, or Firm—Marett & Marett*

[57] **CLAIM**

The ornamental design for a portable sign, as shown.

**DESCRIPTION**

FIG. 1 is a top, front, and right side isometric view of a portable sign showing my new design;  
FIG. 2 is a bottom, rear, and left side isometric view thereof;  
FIG. 3 is a right side elevational view thereof;  
FIG. 4 is a front elevational view thereof.



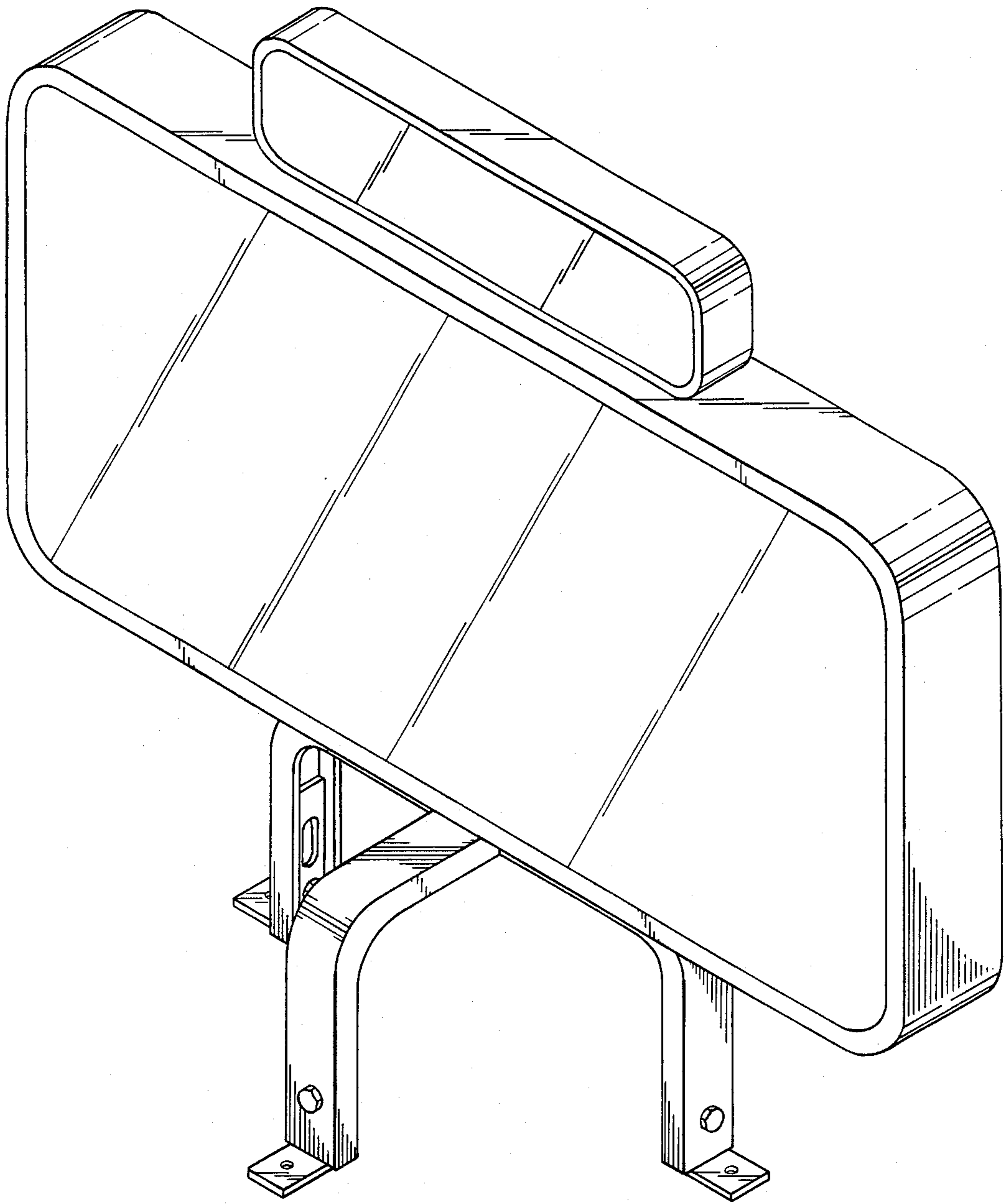


FIG. 1

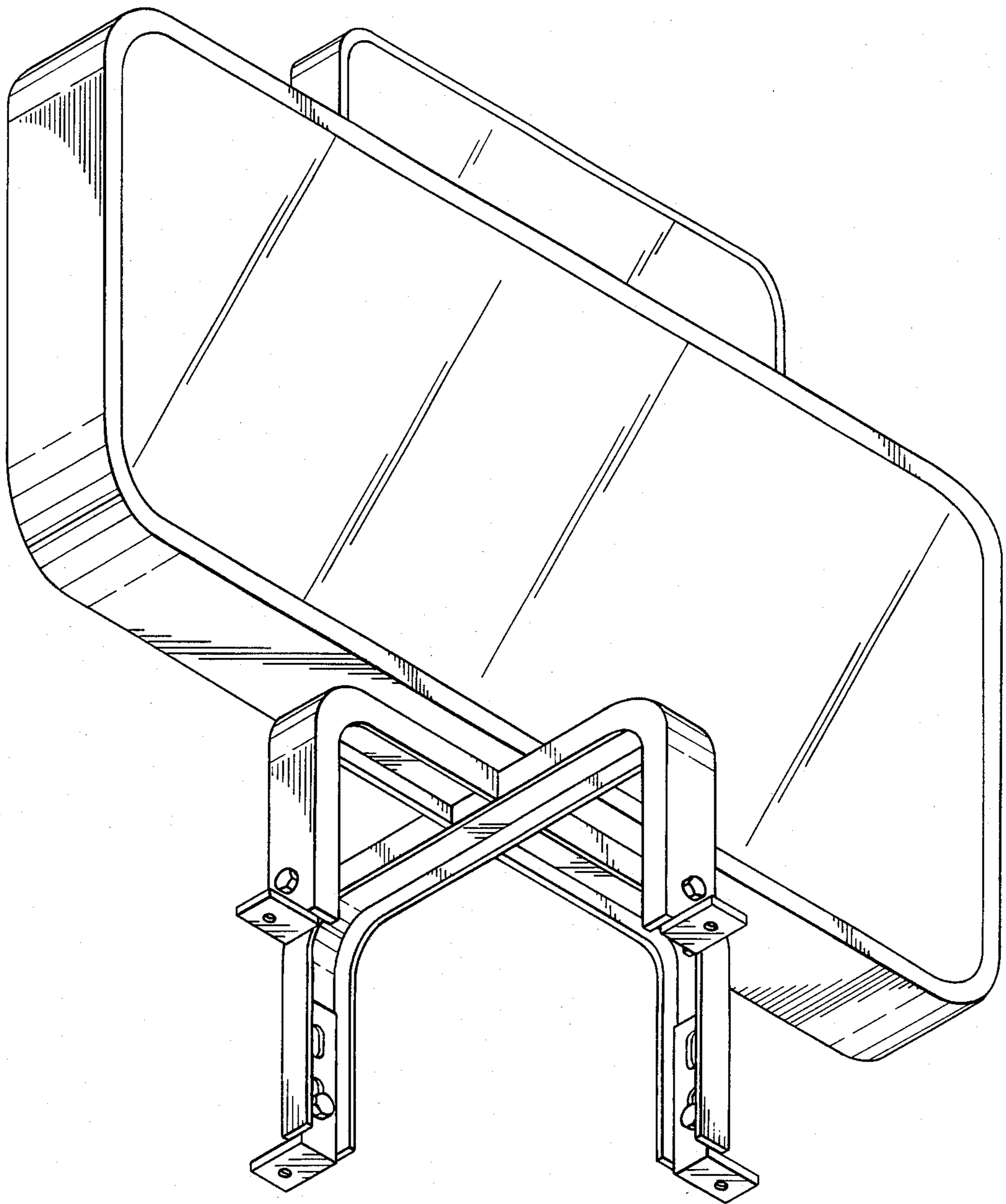


FIG. 2

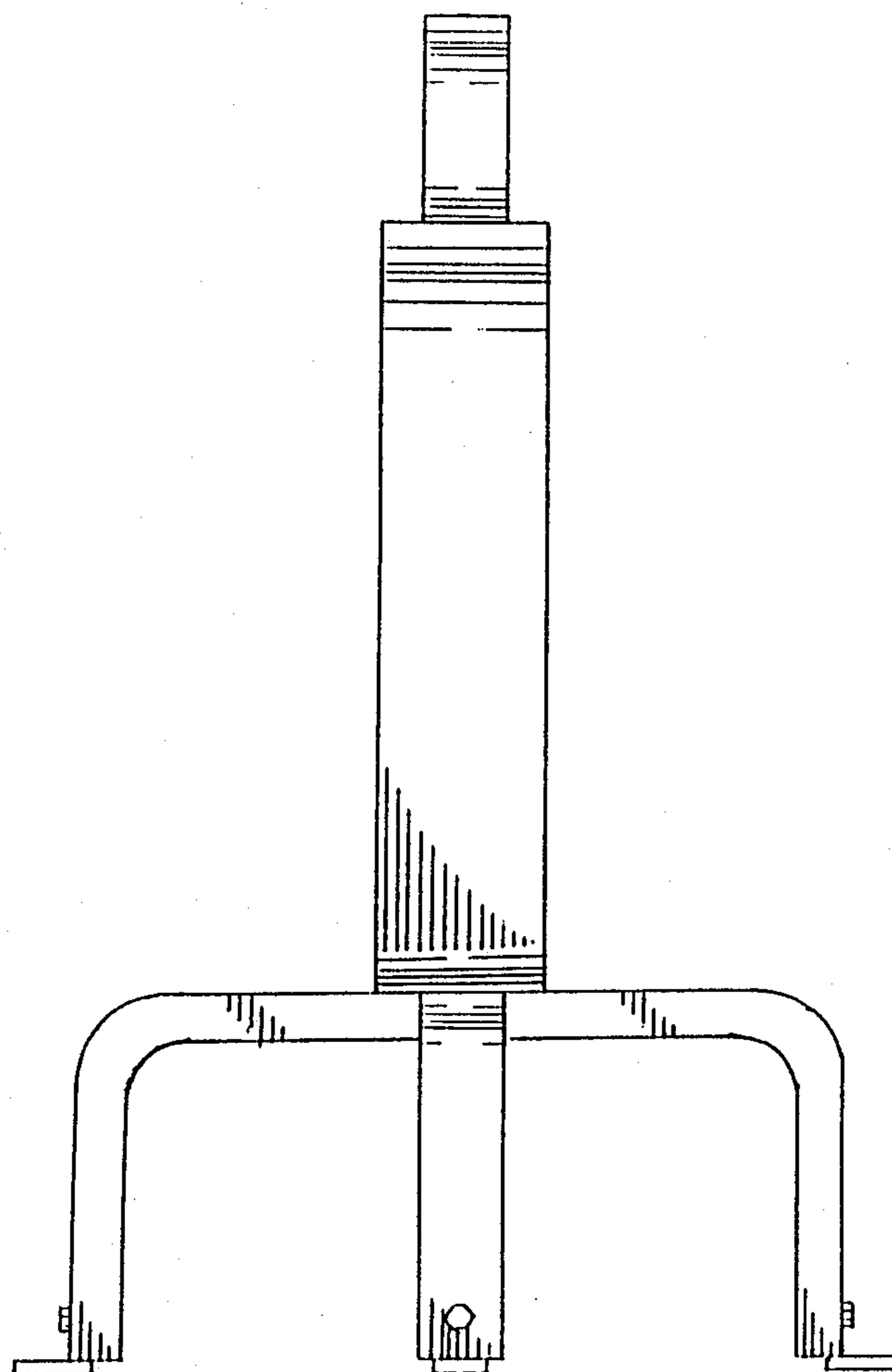


FIG. 3

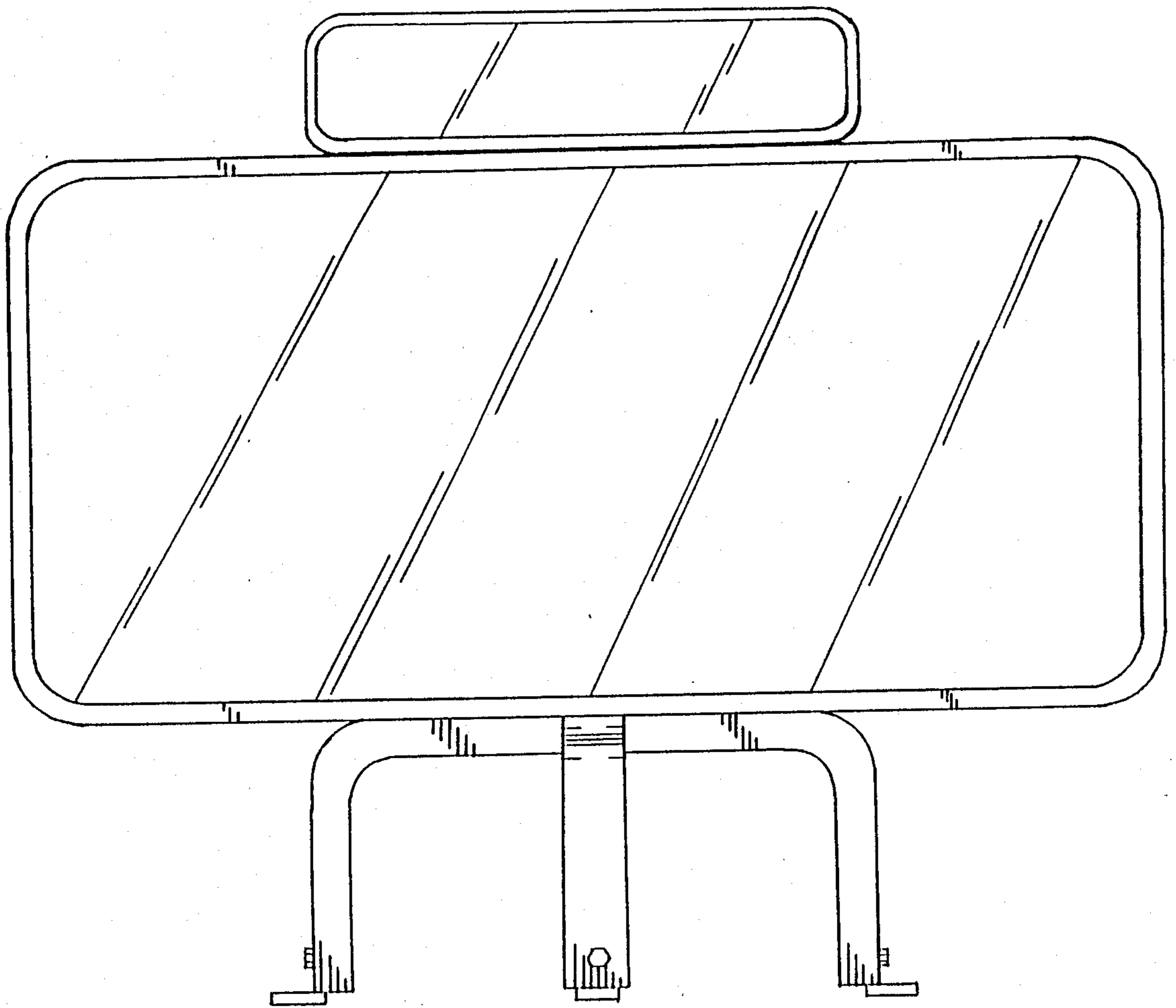


FIG. 4