

United States Patent [19]

Cross et al.

[11] Patent Number: **Des. 303,401**

[45] Date of Patent: **** Sep. 12, 1989**

[54] **LOTTERY TICKET CLIP BOARD**

[76] Inventors: **James A. Cross; Deborah A. Cross,**
both of 2528 McLaran Ave.,
Jennings, Mo. 63136

[**] Term: **14 Years**

[21] Appl. No.: **764,485**

[22] Filed: **Aug. 12, 1985**

[52] U.S. Cl. **D19/88**

[58] Field of Search **D19/65, 75, 77, 78,**
D19/86, 87, 88; 281/15 B, 45; 150/52 B;
211/45; 401/52

[56] **References Cited**

U.S. PATENT DOCUMENTS

- D. 284,481 7/1986 Draddy D19/86 X
- D. 284,976 8/1986 Hung D19/86 X
- D. 286,894 11/1986 Haas et al. D19/88

- 4,243,249 1/1981 Goss D19/88 X
- 4,628,572 12/1986 Chang 281/45 X

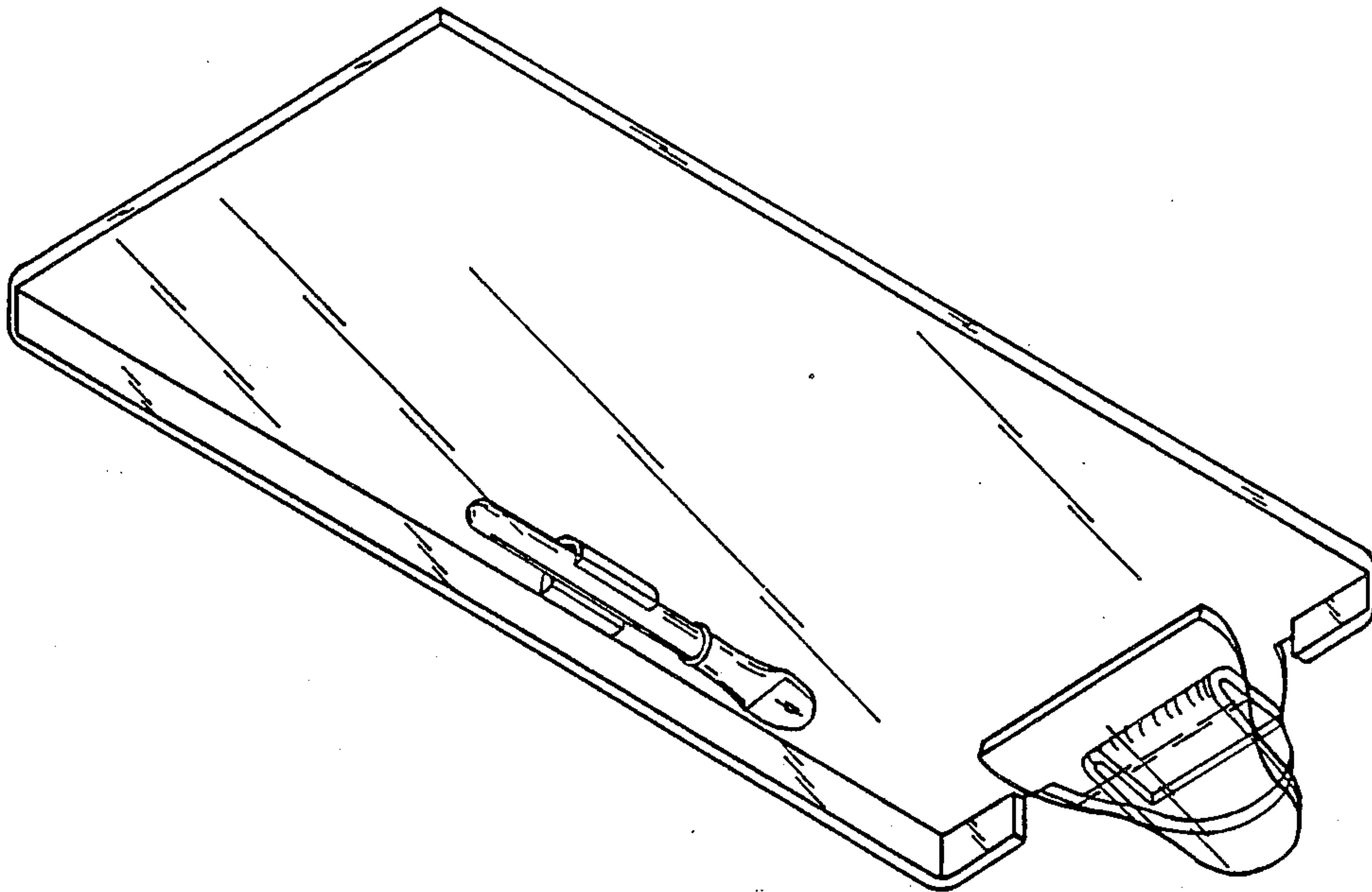
Primary Examiner—Bernard Ansher
Assistant Examiner—Theodore M. Shooman
Attorney, Agent, or Firm—Haverstock, Garrett & Roberts

[57] **CLAIM**

The ornamental design for a lottery ticket clip board, as shown and described.

DESCRIPTION

FIG. 1 is a top, front and right side perspective view of a lottery ticket clip board showing our new design; FIG. 2 is a rear elevational view thereof; FIG. 3 is a front elevational view thereof; FIG. 4 is a right side elevational view thereof; FIG. 5 is a left side elevational view thereof; and FIG. 6 is a top plan view thereof.



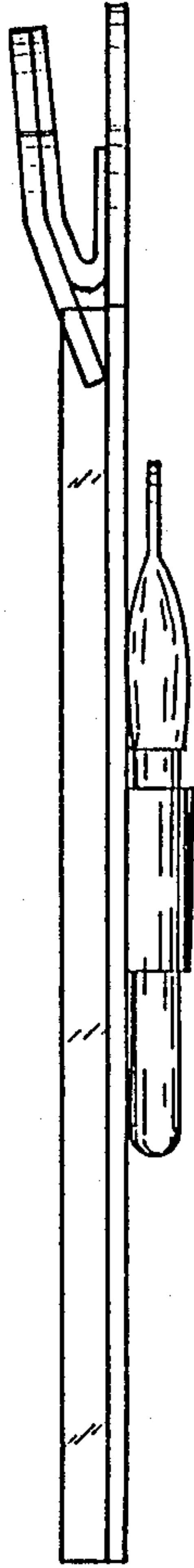


Fig. 2

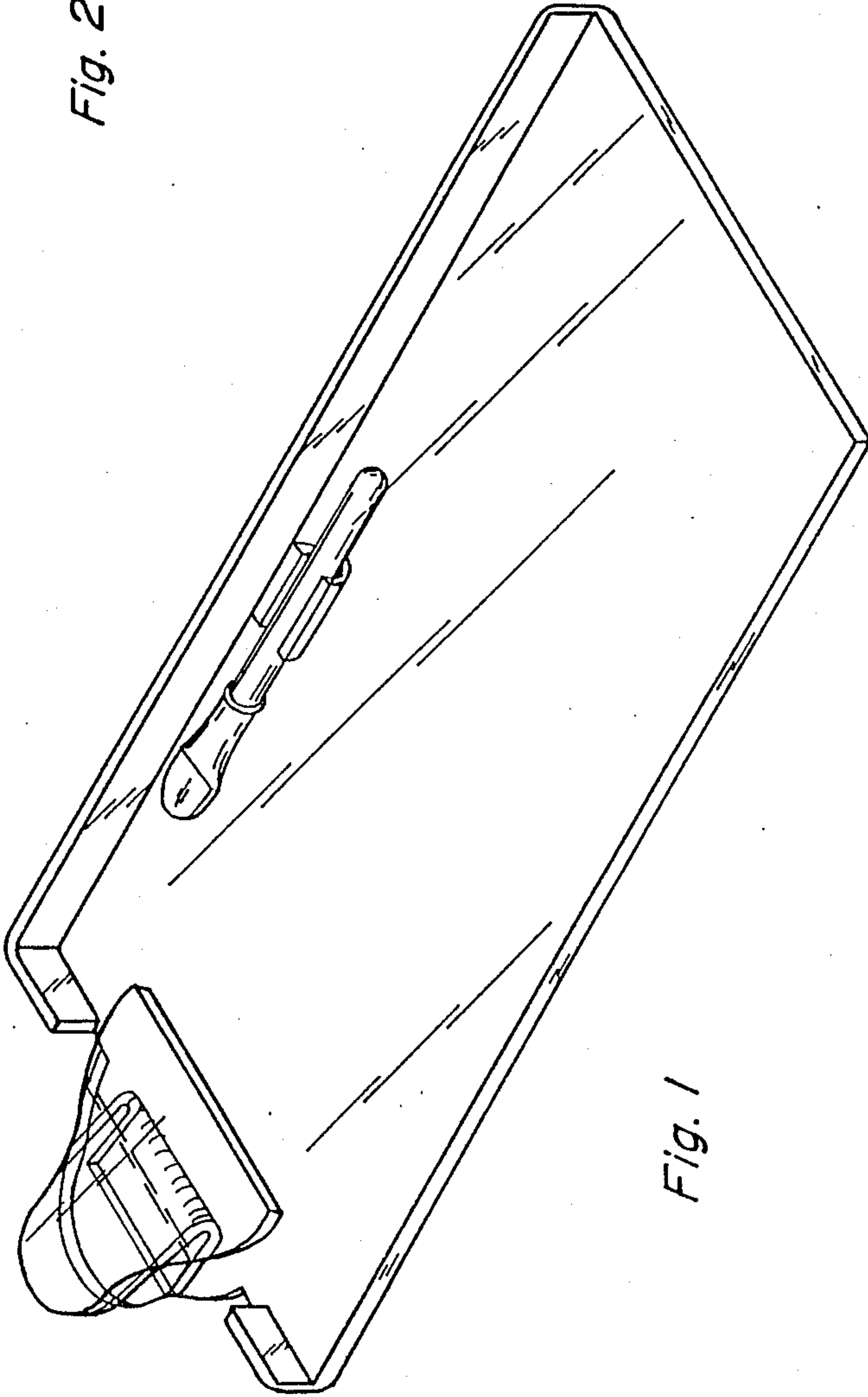


Fig. 1

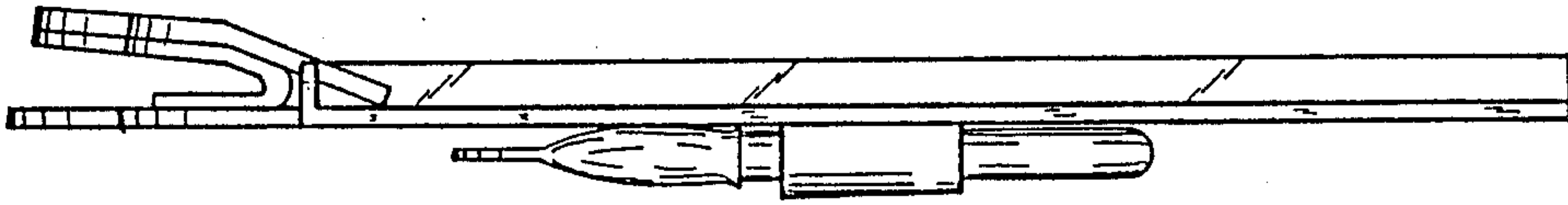


Fig. 3

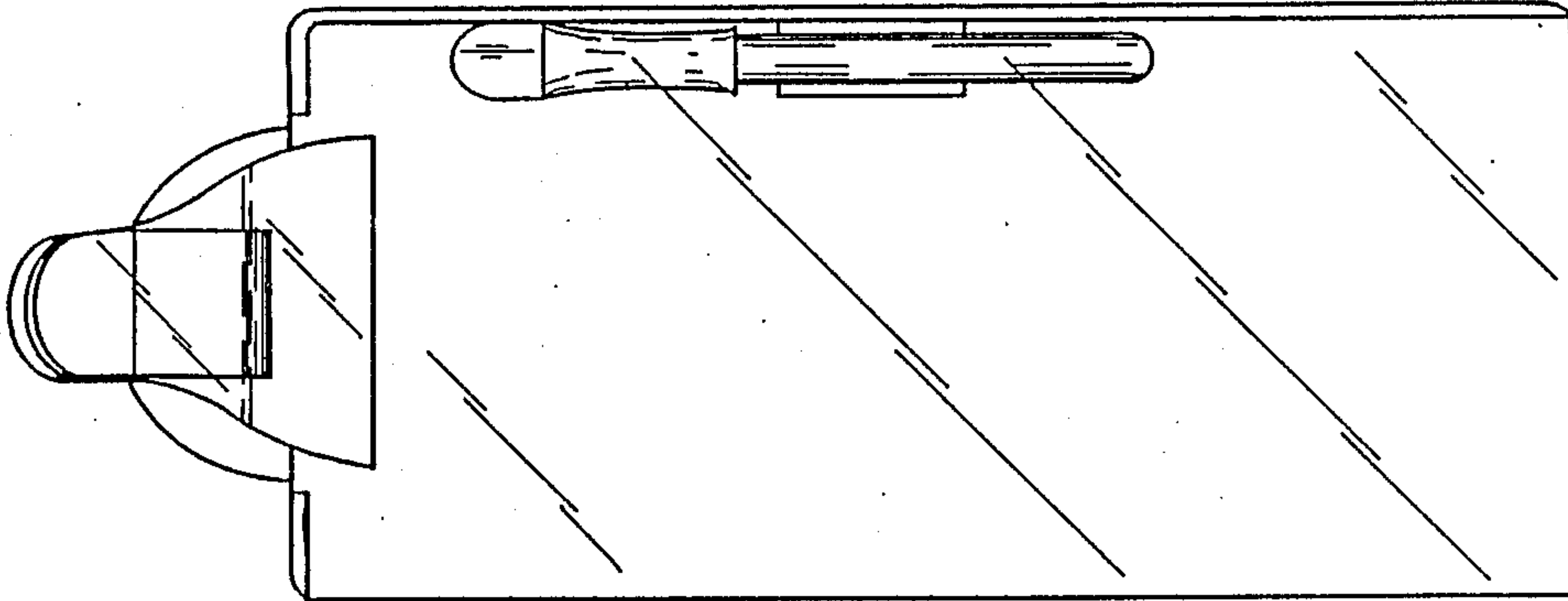


Fig. 6

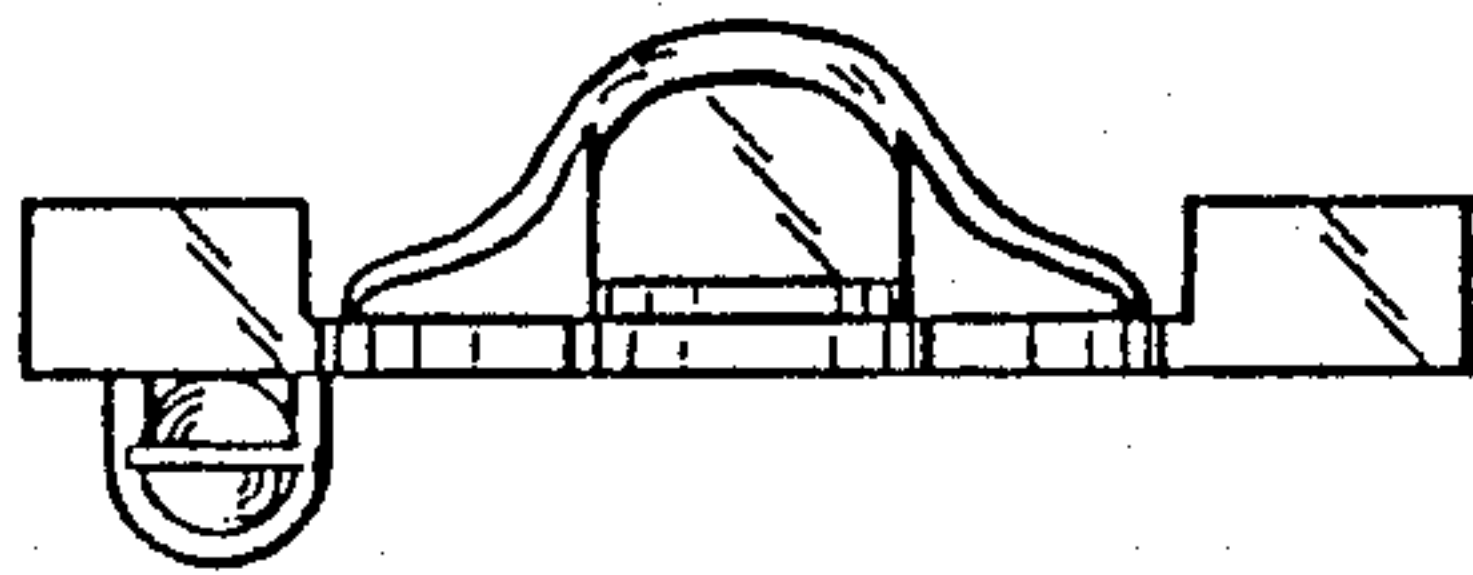


Fig. 5

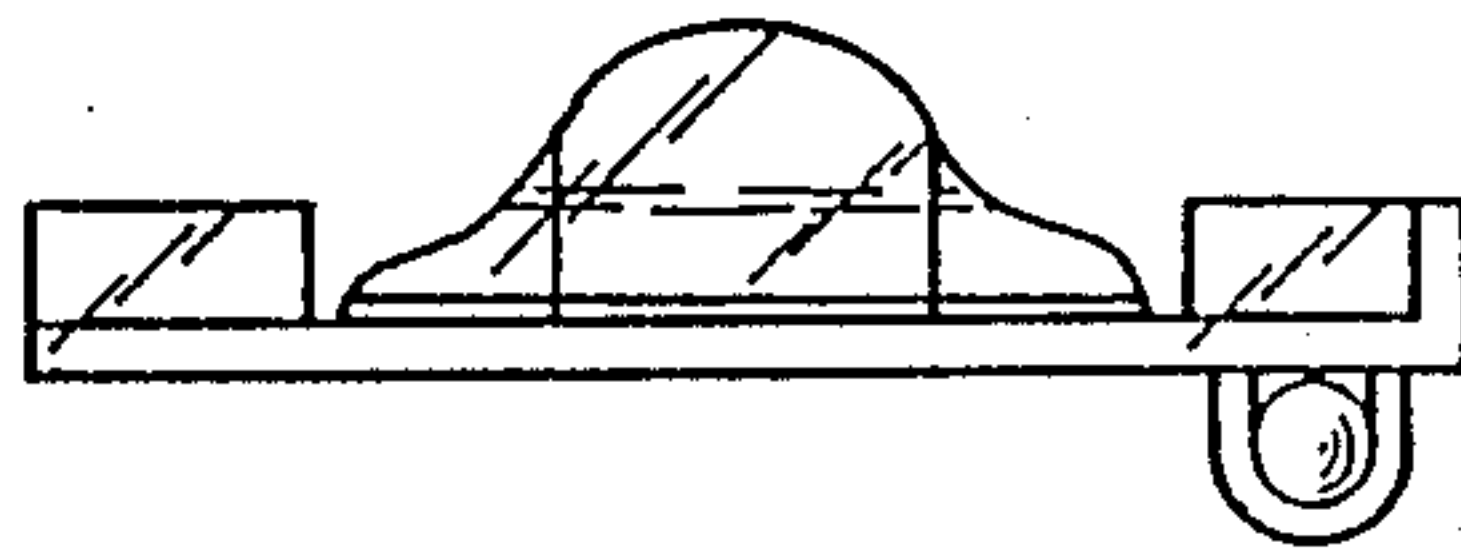


Fig. 4