

[54] SINGLE CYLINDER AIR COMPRESSOR

[75] Inventor: James F. Mariol, Cincinnati, Ohio

[73] Assignee: Campbell Hausfeld/Scott Fetzer Company, Harrison, Ohio

[**] Term: 14 Years

[21] Appl. No.: 17,201

[22] Filed: Feb. 19, 1987

[52] U.S. Cl. D15/9

[58] Field of Search D15/7, 9; 417/231, 233, 417/234

[56] References Cited

U.S. PATENT DOCUMENTS

D. 293,585	1/1988	Morgan	D15/9
D. 293,682	1/1988	Lion	D15/9
1,846,655	2/1932	Rayfield	D15/9 X
4,077,747	3/1978	Burenga	417/234

Primary Examiner—Wallace R. Burke
Assistant Examiner—Brian N. Vinson
Attorney, Agent, or Firm—Wood, Herron & Evans

[57] CLAIM

The ornamental design for a single cylinder air compressor, as shown and described.

DESCRIPTION

FIG. 1 is a perspective view of a single cylinder air compressor showing my new design, the broken line showing of the air tank being for illustrative purposes only and forming no part of the claimed design; FIG. 2 is an enlarged left side elevational view thereof; FIG. 3 is an enlarged top plan view thereof; FIG. 4 is an enlarged rear elevational view thereof; FIG. 5 is an enlarged front elevational view thereof; FIG. 6 is an enlarged right side elevational view thereof; and FIG. 7 is an enlarged bottom plan view thereof.

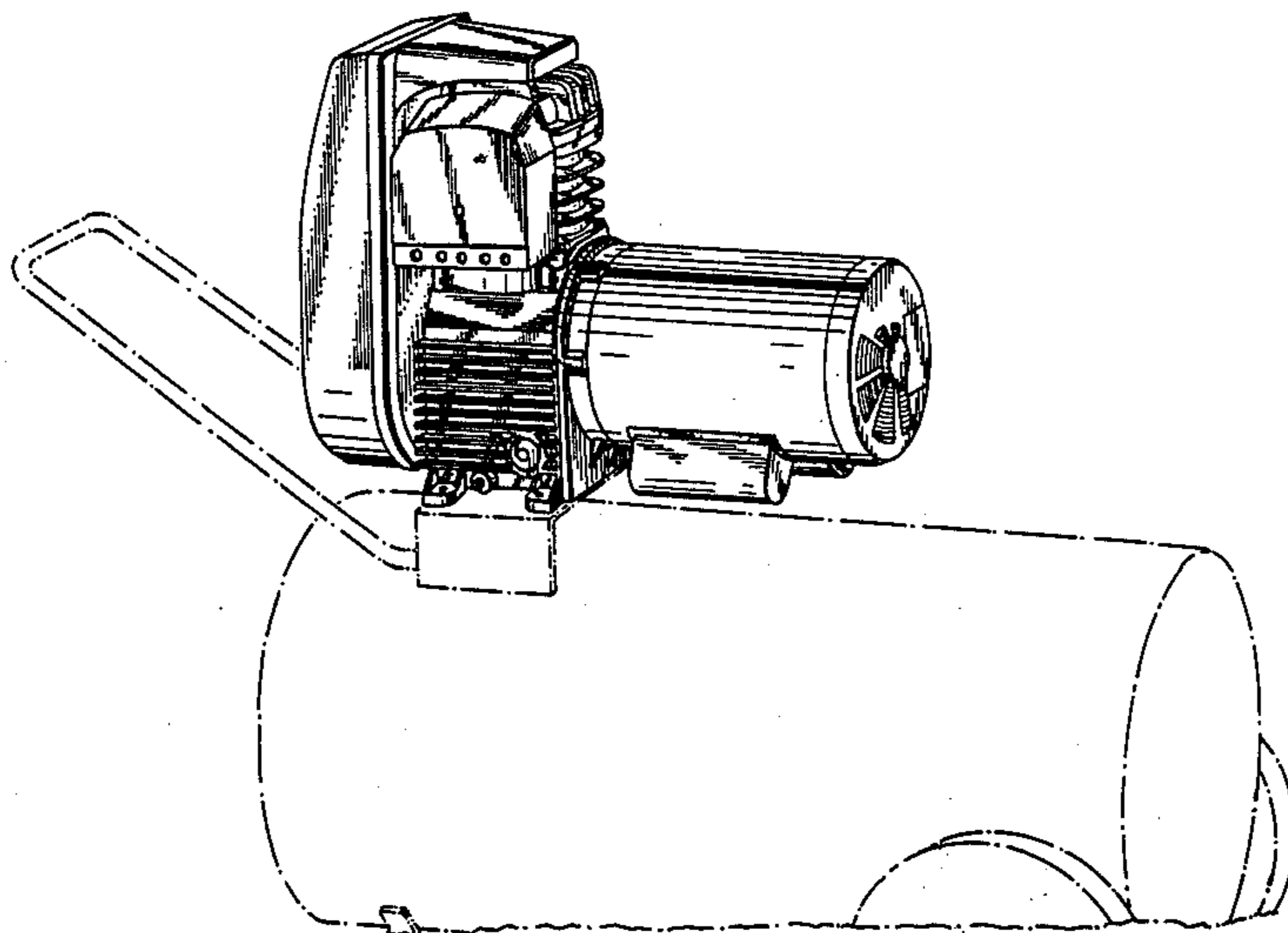
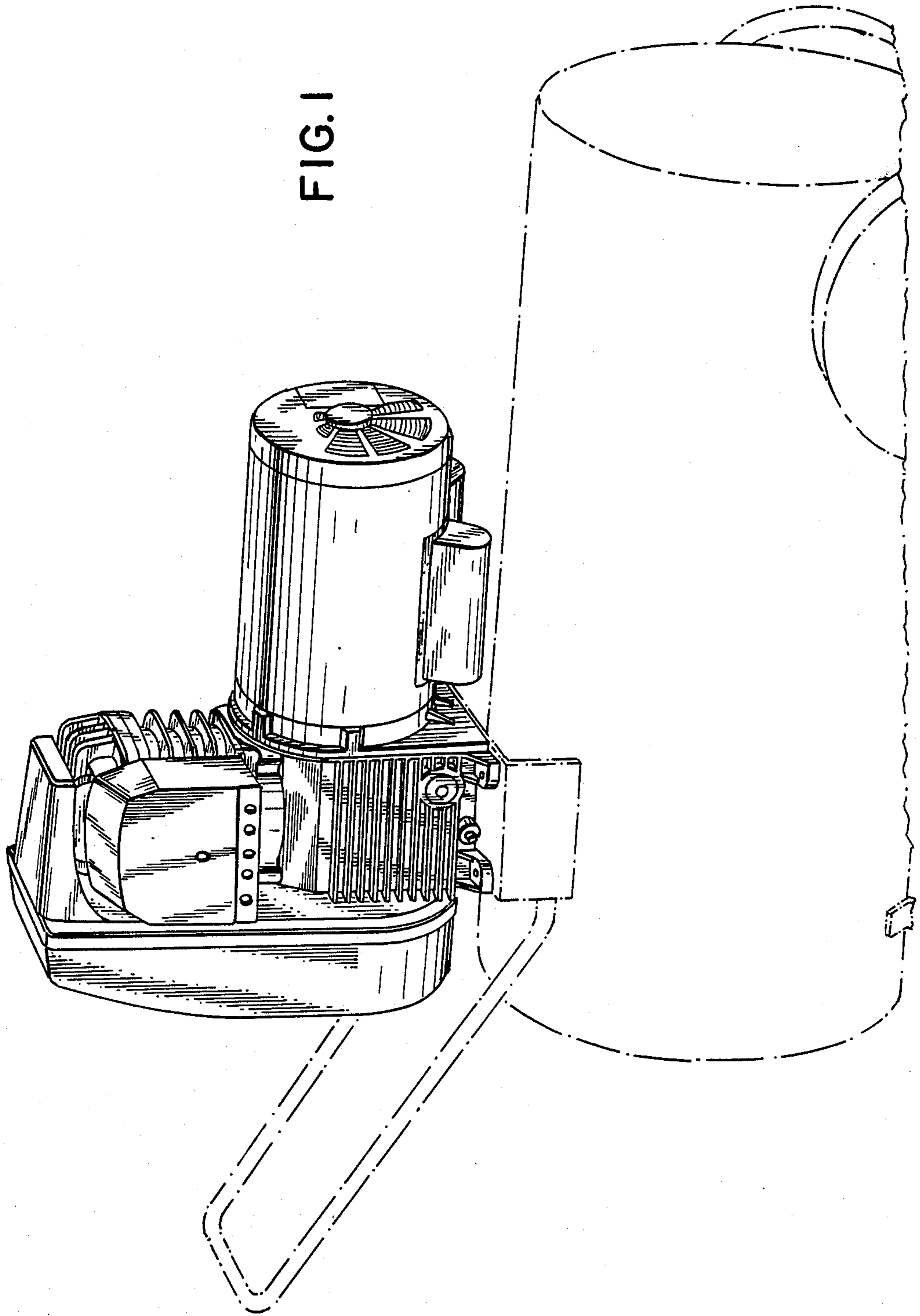


FIG. 1



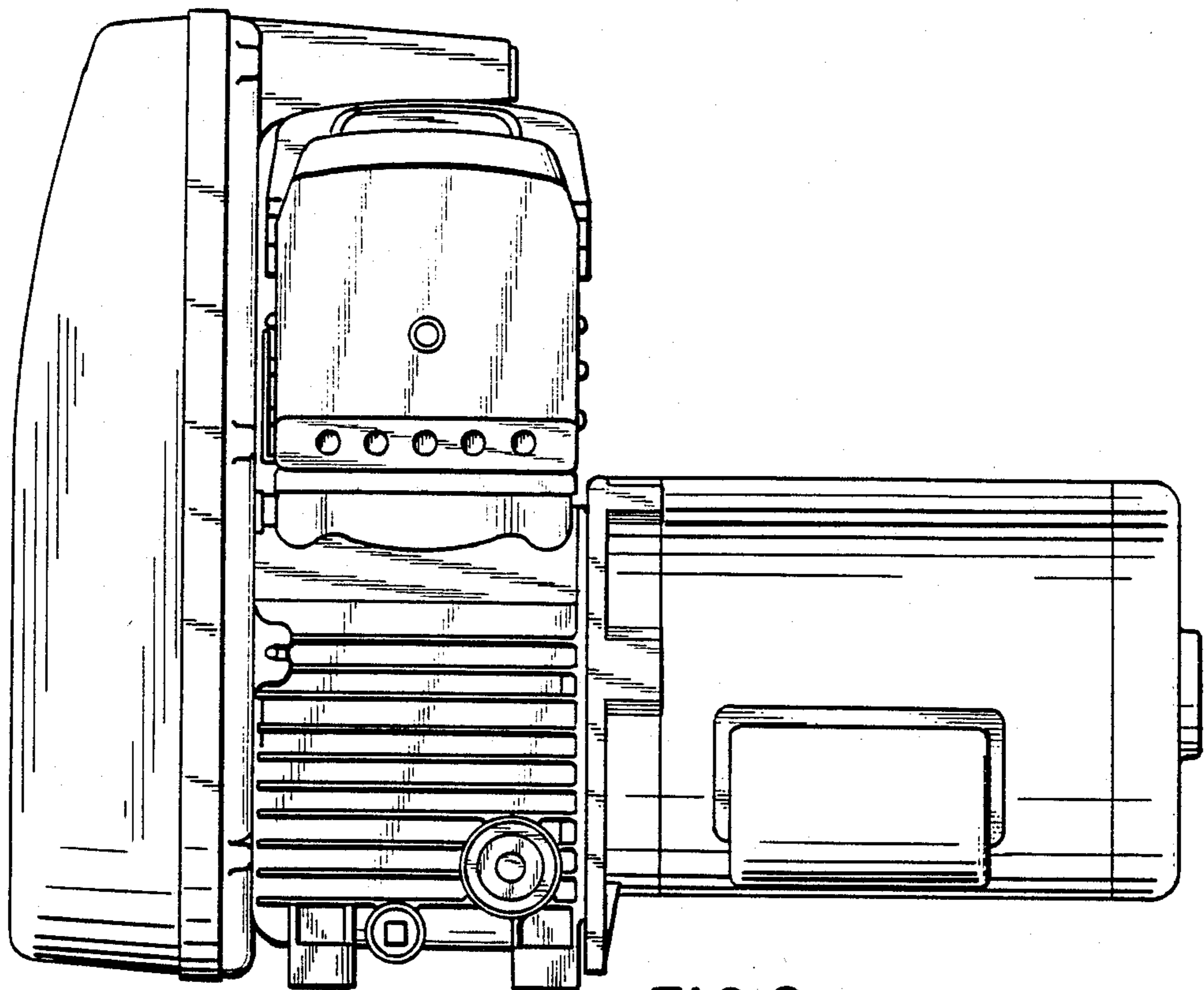


FIG. 2

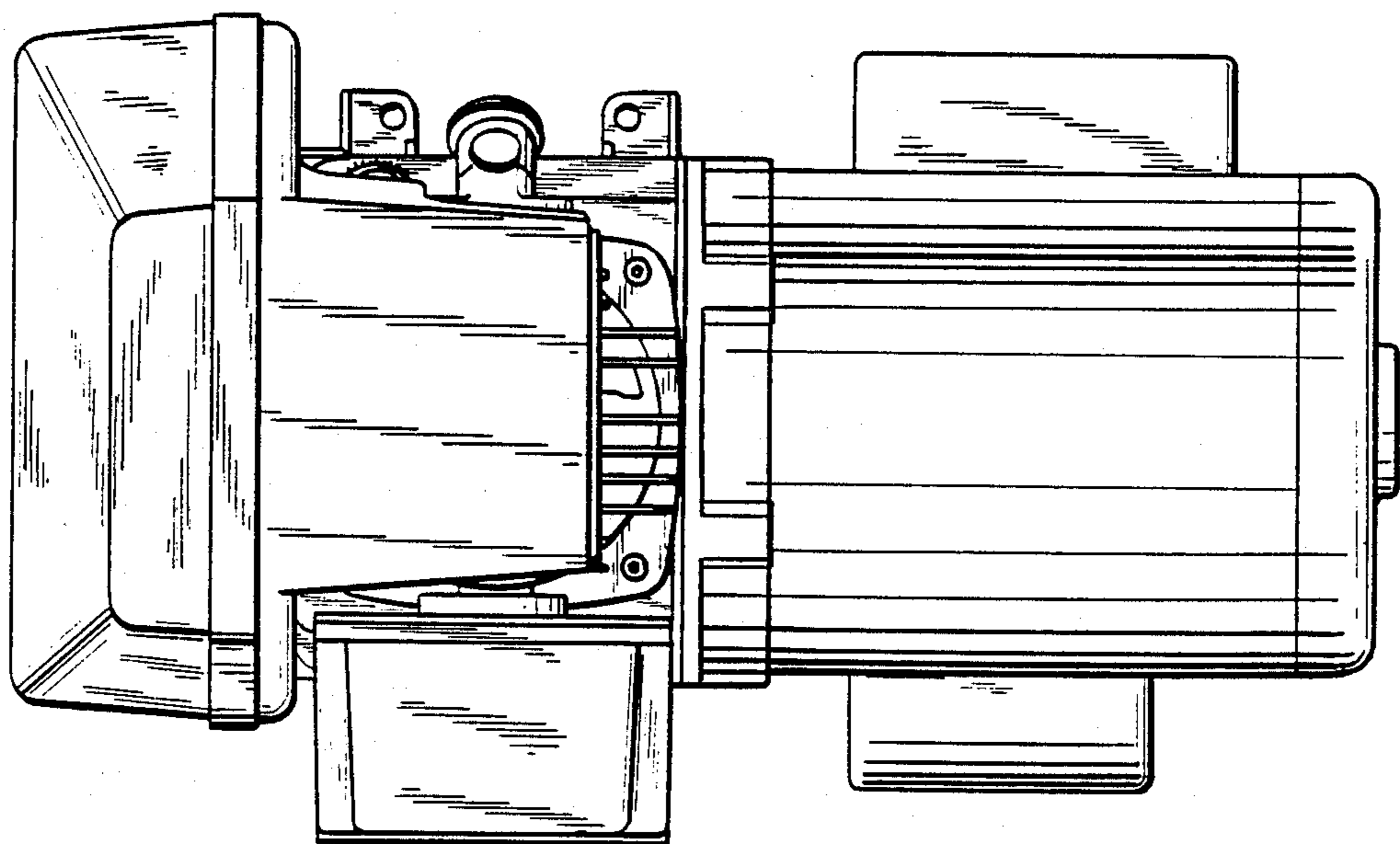


FIG. 3

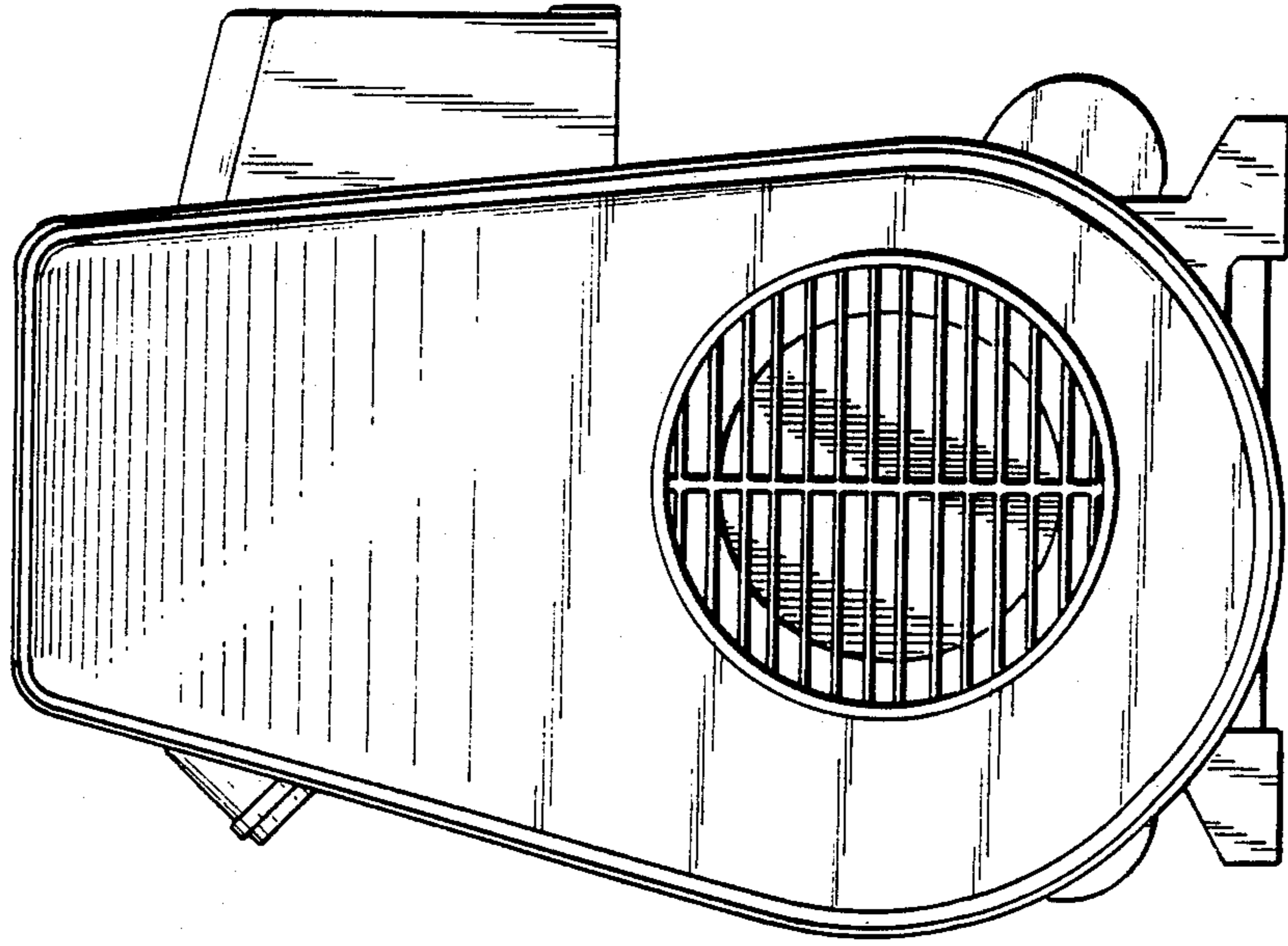


FIG. 5

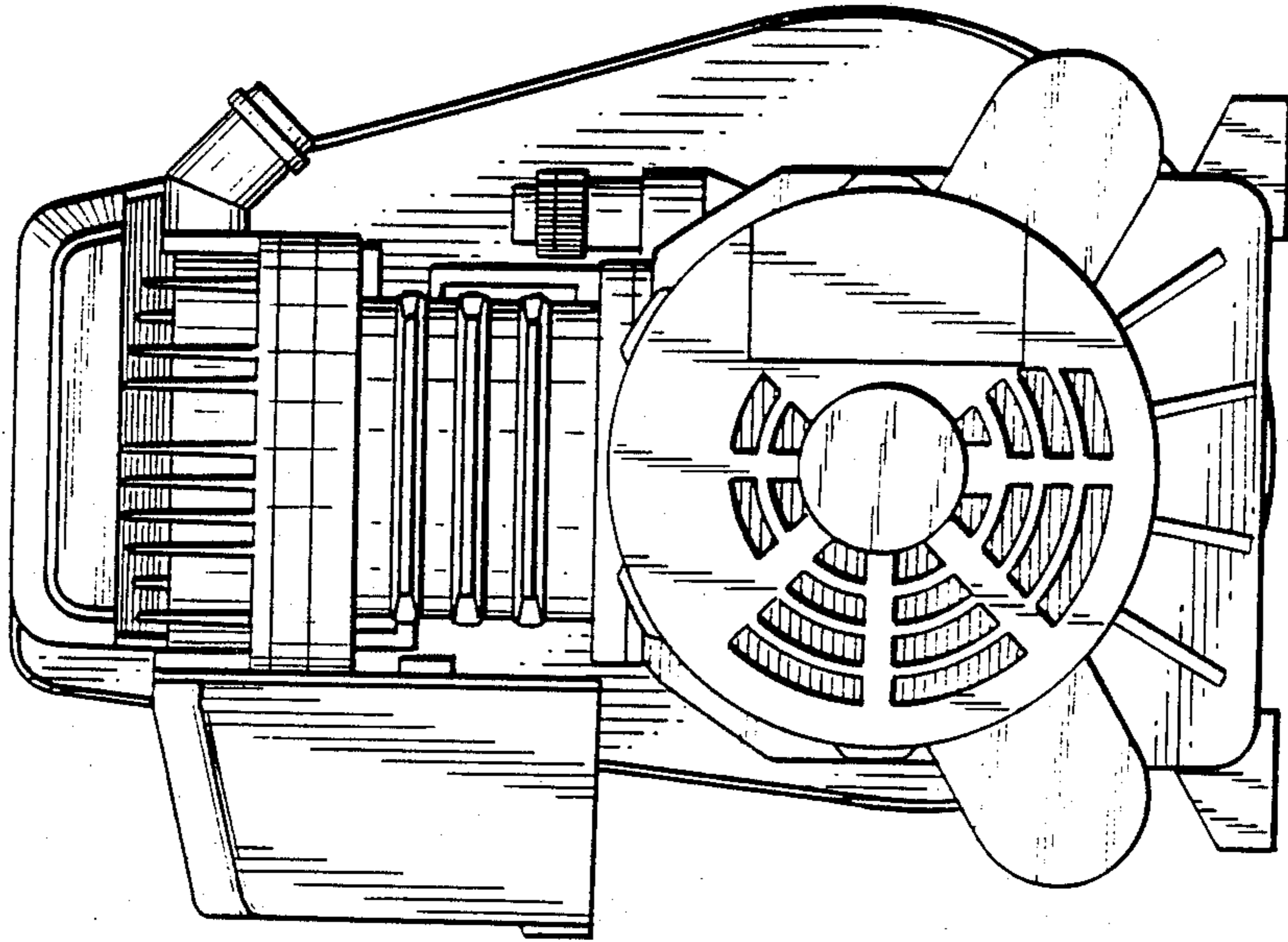


FIG. 4

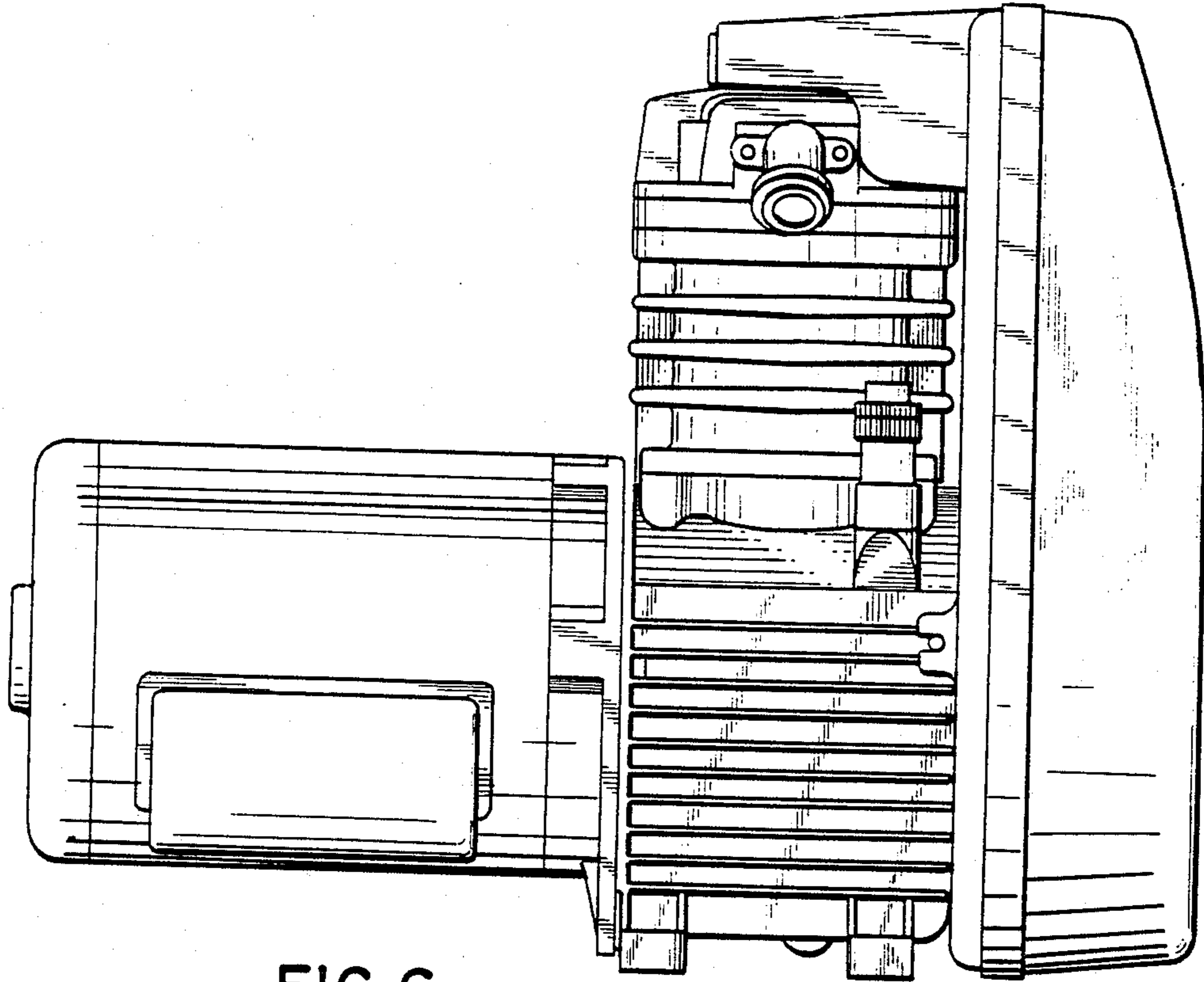


FIG. 6

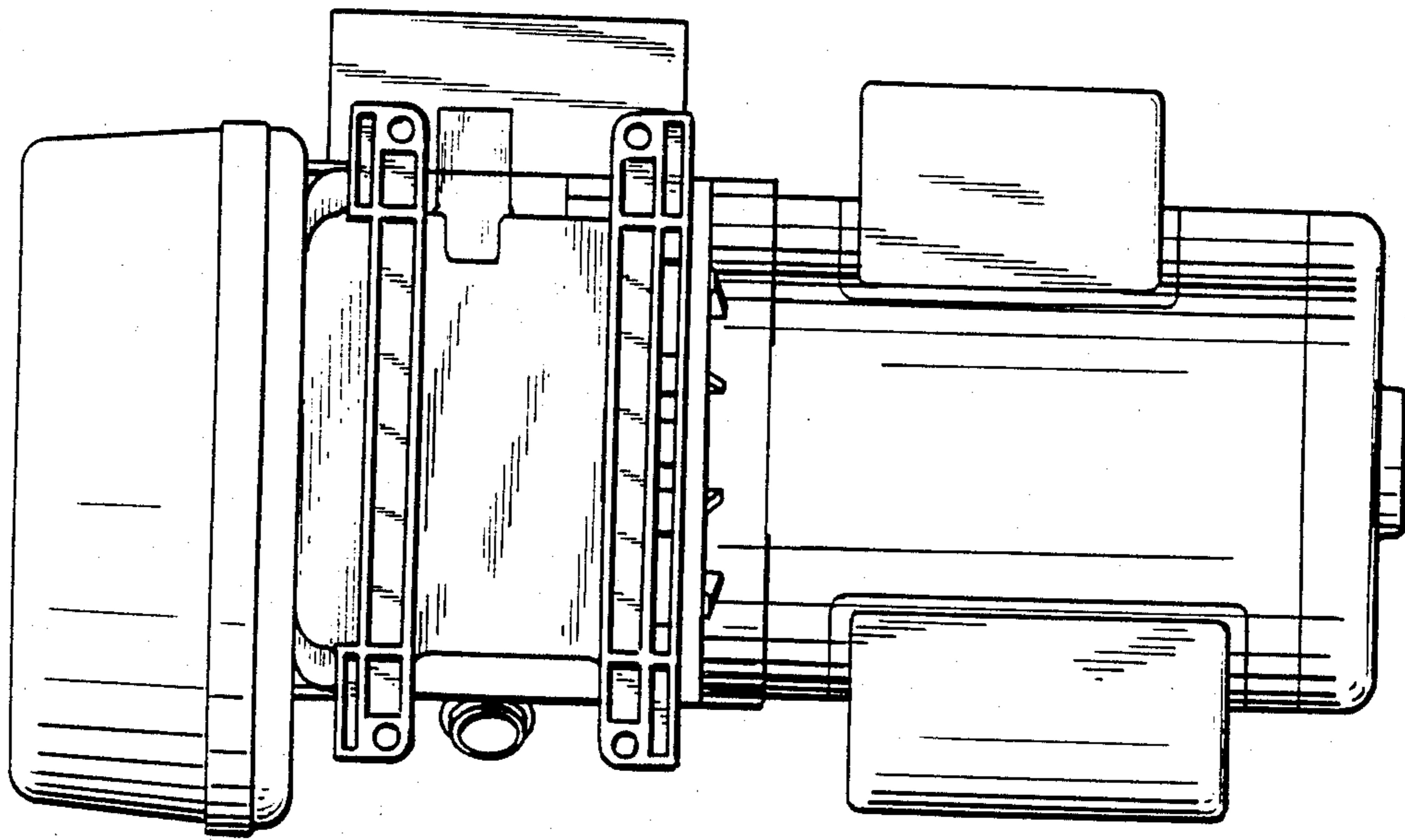


FIG. 7