

[54] INDOOR ANTENNA

[75] Inventor: Guo-Bang Tai, Taipei, Taiwan

[73] Assignee: King Feng Co., Ltd., Taipei, Taiwan

[**] Term: 14 Years

[21] Appl. No.: 864,899

[22] Filed: May 19, 1986

[52] U.S. Cl. D14/235; D14/234

[58] Field of Search D14/230-238;
343/720, 721, 730, 741, 746, 747, 748, 805, 806,
815, 820, 872, 873, 907, 908, 909

[56] References Cited

U.S. PATENT DOCUMENTS

- D. 229,072 11/1973 Brandt et al. D14/235
- D. 238,430 1/1976 Lanson et al. D14/235

- 3,259,904 7/1966 Blonder et al. 343/815
- 3,478,361 11/1969 Middlemark 343/730
- 3,739,388 6/1973 Callaghan 343/741 X

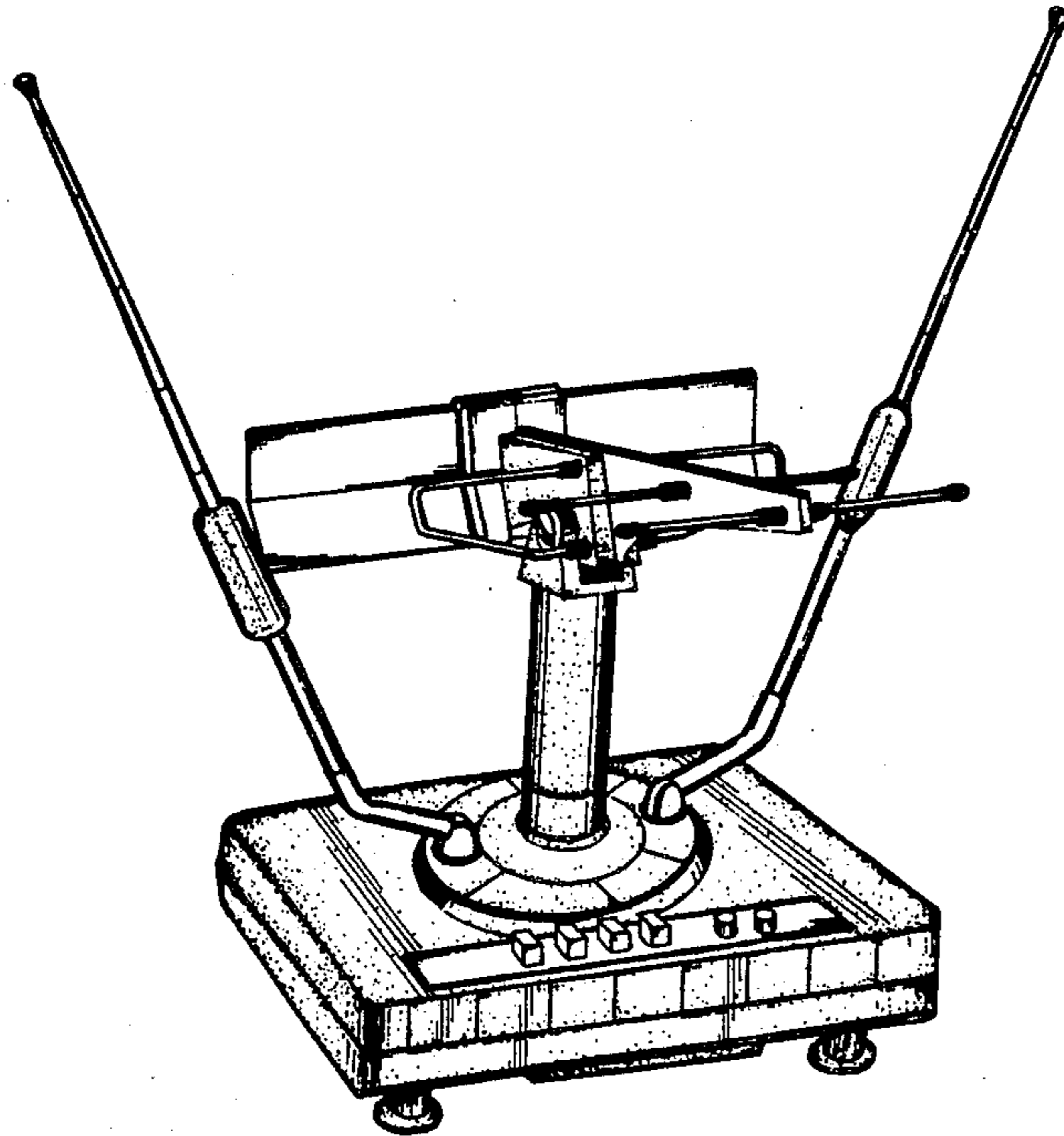
Primary Examiner—B. J. Bullock
Assistant Examiner—Theodore M. Shooman
Attorney, Agent, or Firm—Sandler & Greenblum

[57] CLAIM

The ornamental design for an indoor antenna, as shown.

DESCRIPTION

FIG. 1 is a top, front and left side perspective view of an indoor antenna showing my new design; FIG. 2 is a front elevational view thereof; FIG. 3 is a left side elevational view thereof; FIG. 4 is a right side elevational view thereof; FIG. 5 is a rear elevational view thereof; FIG. 6 is a bottom plan view thereof; and FIG. 7 is a top plan view thereof.



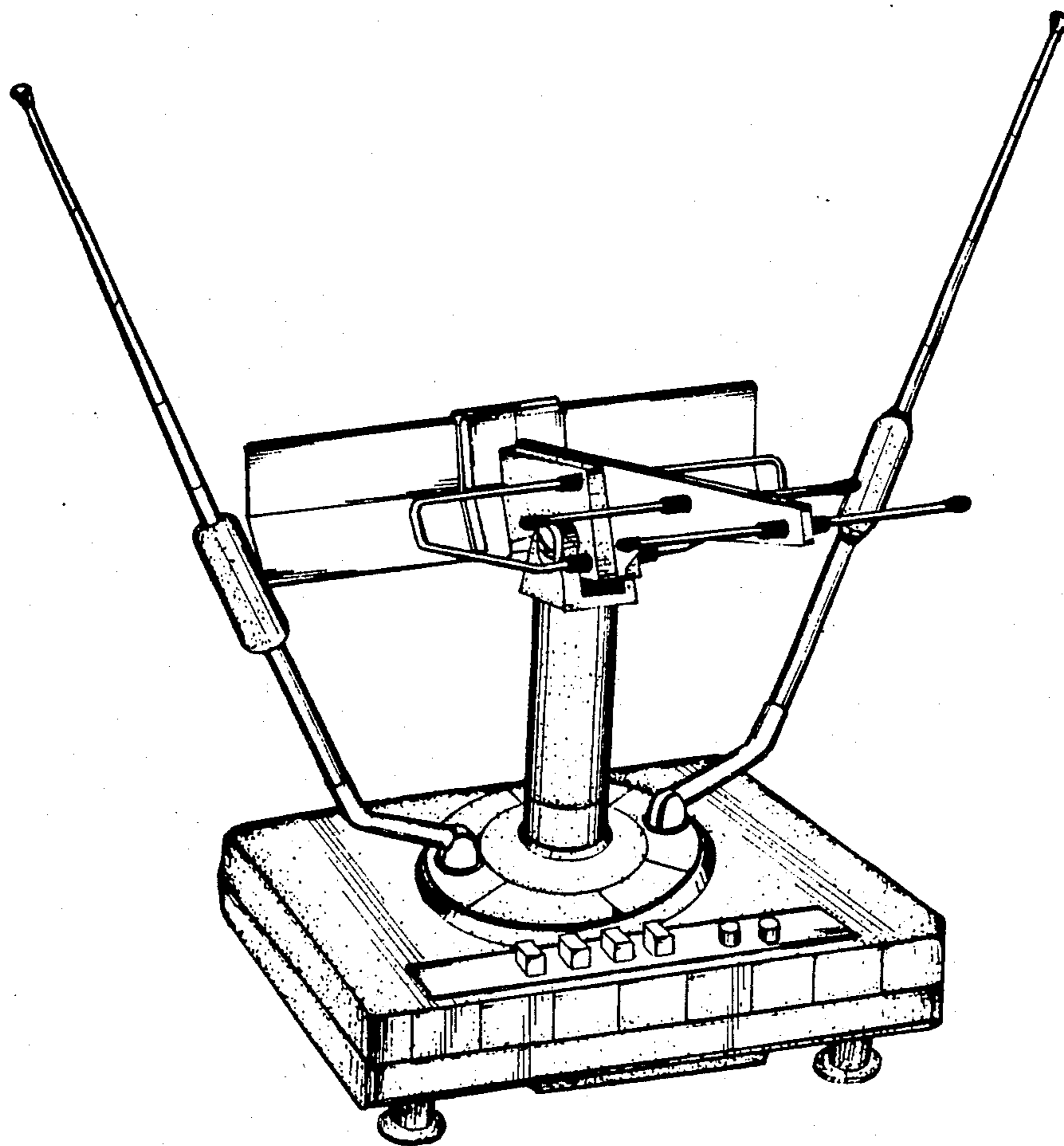


Fig. 1

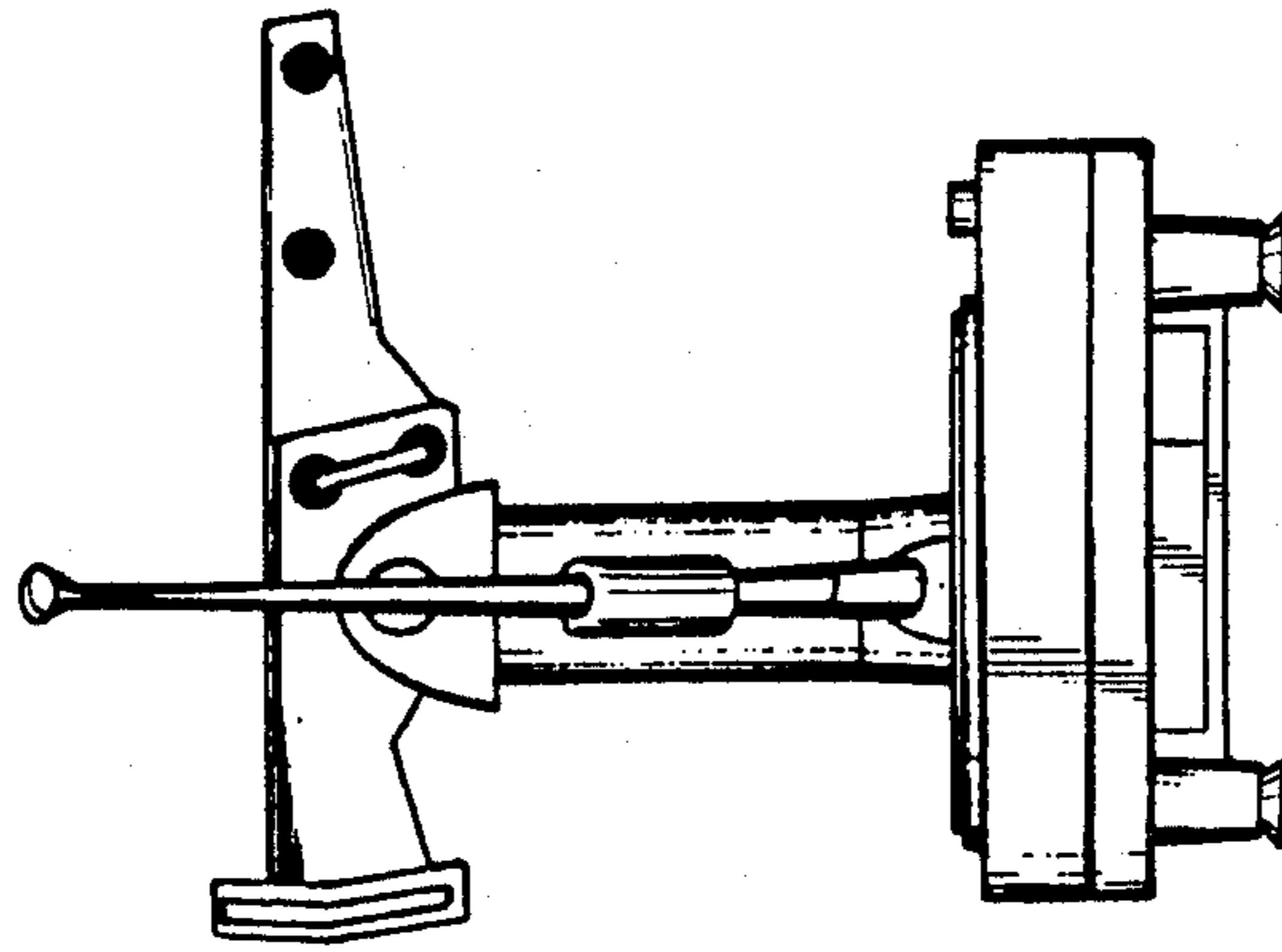


Fig. 3

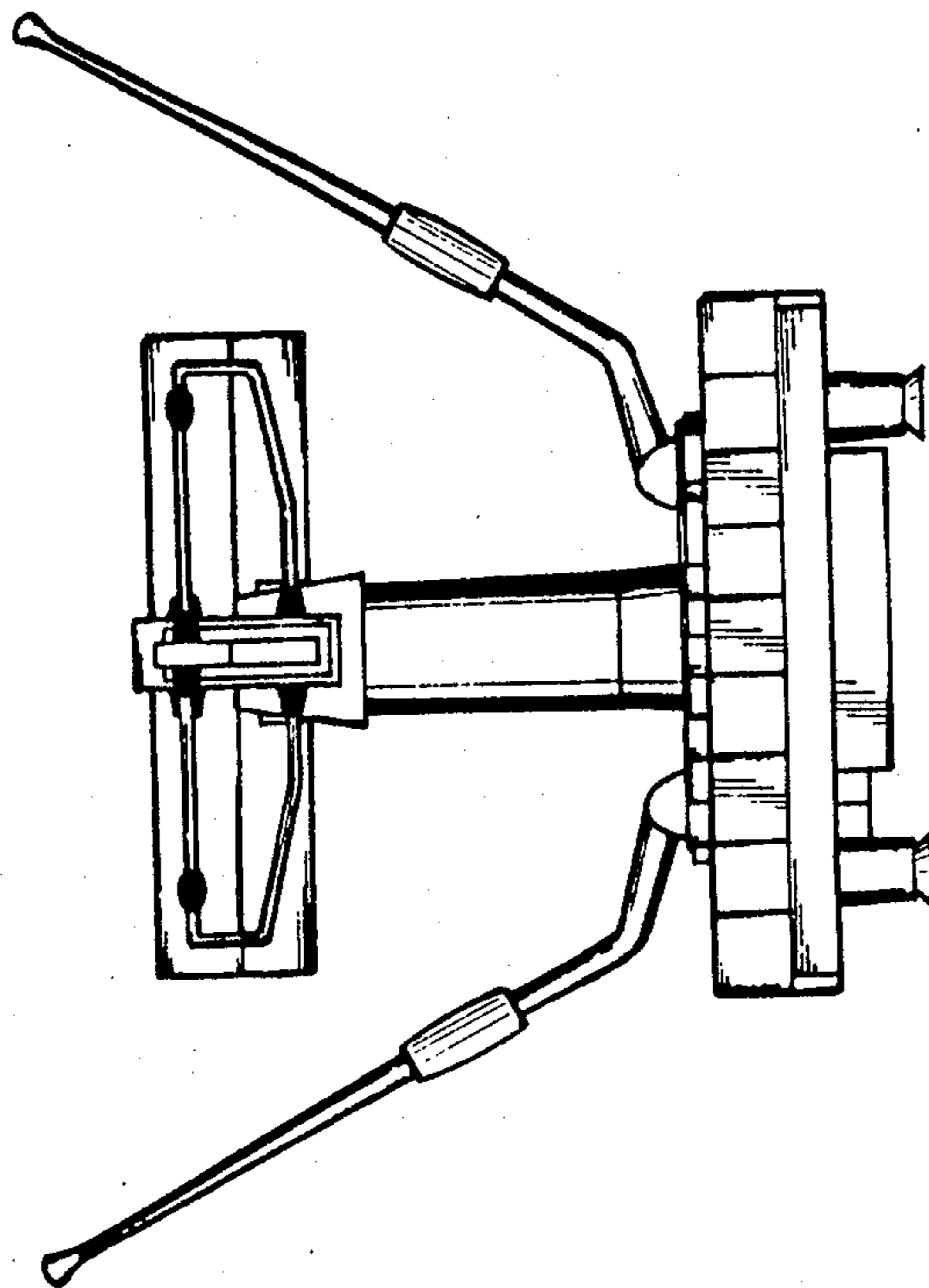


Fig. 2

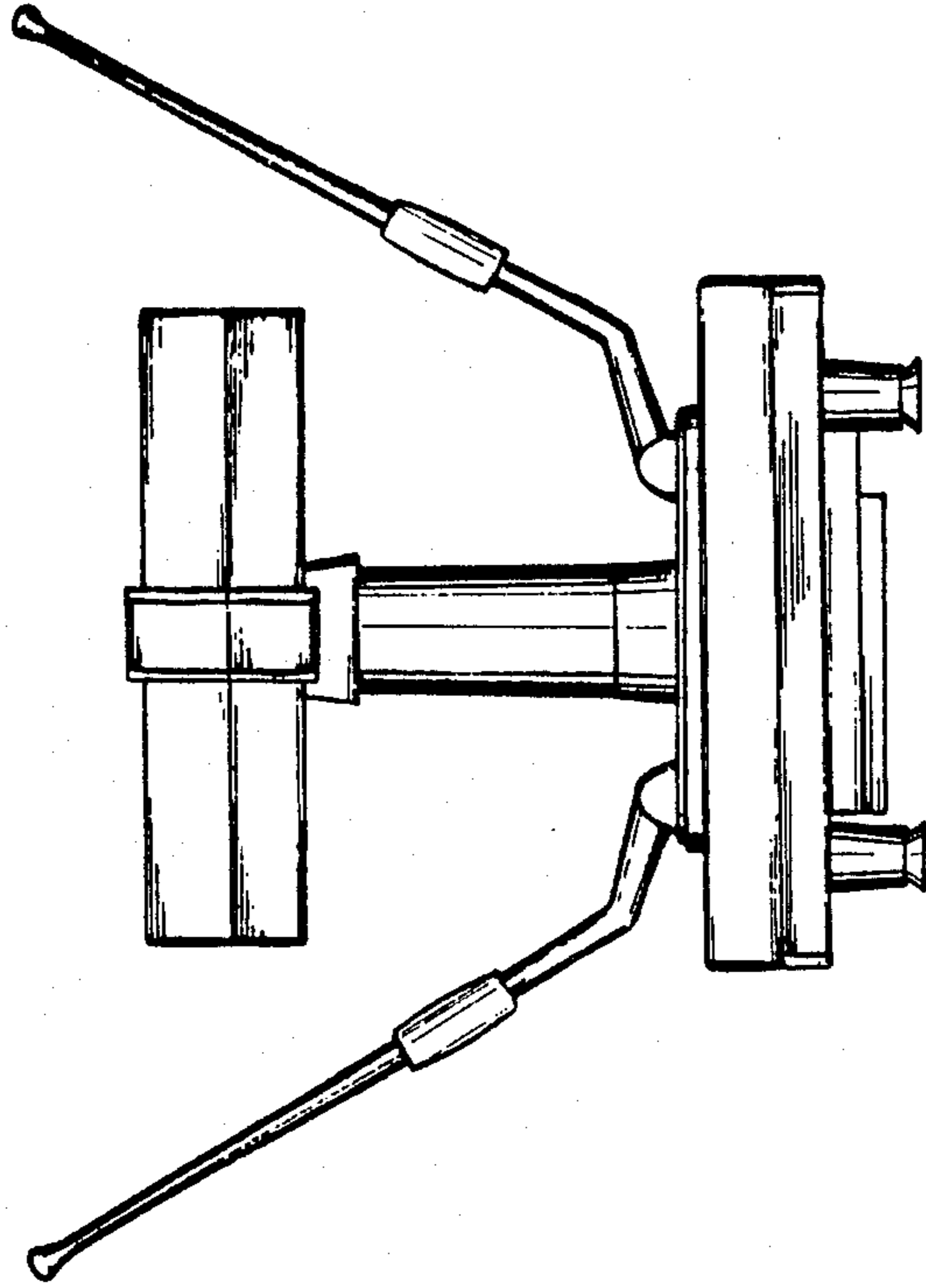


Fig. 5

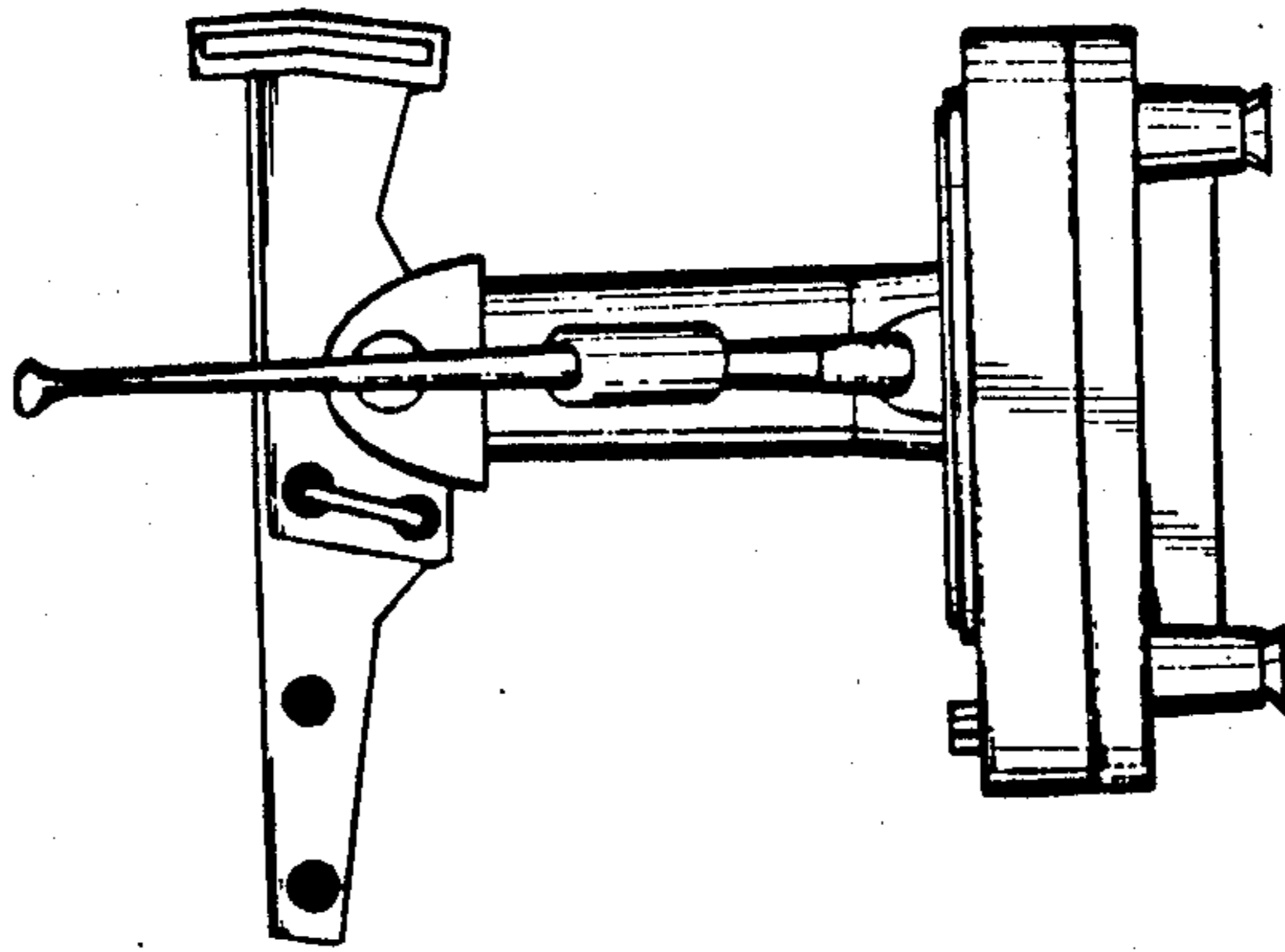


Fig. 4

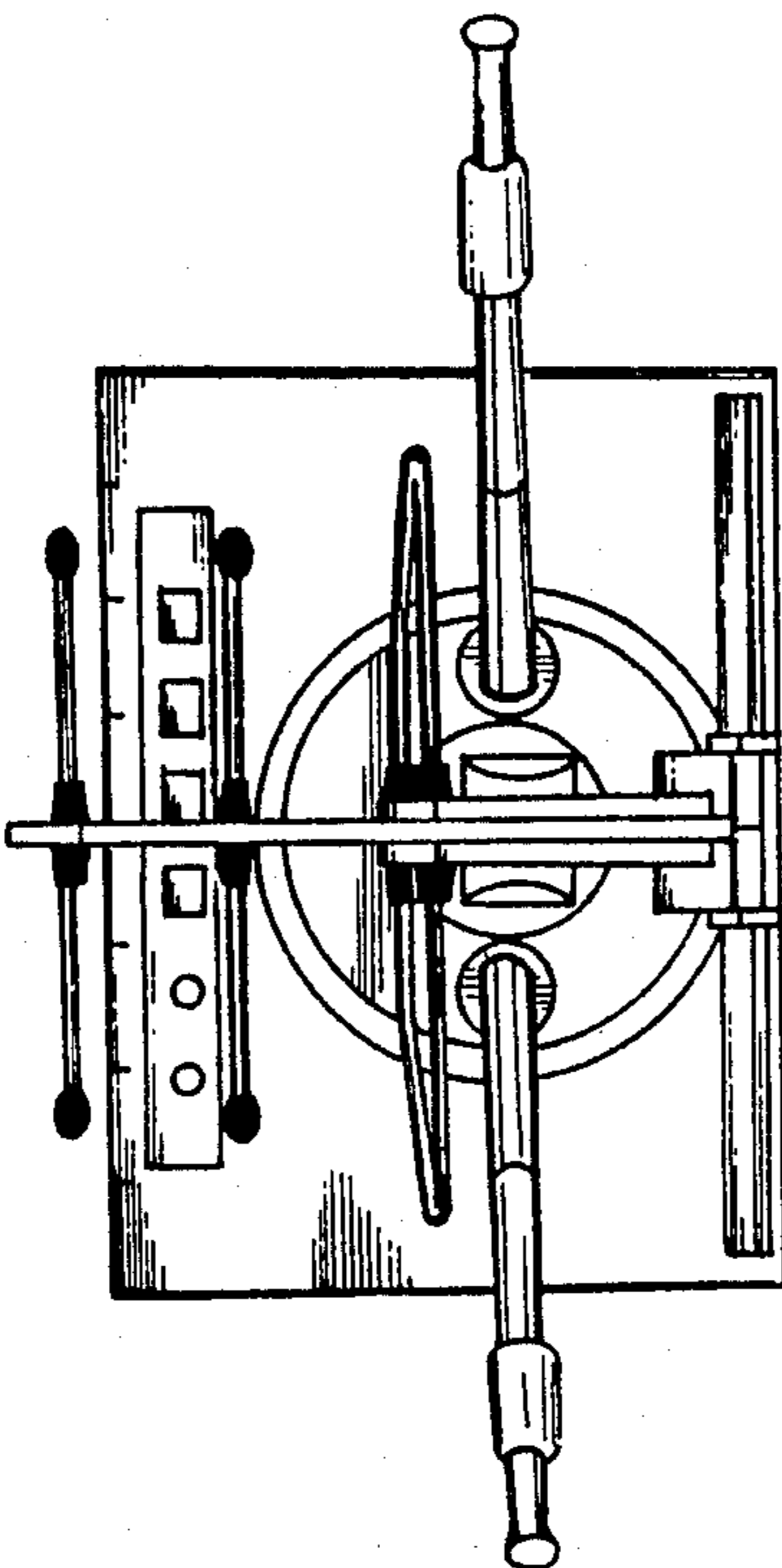


Fig. 7

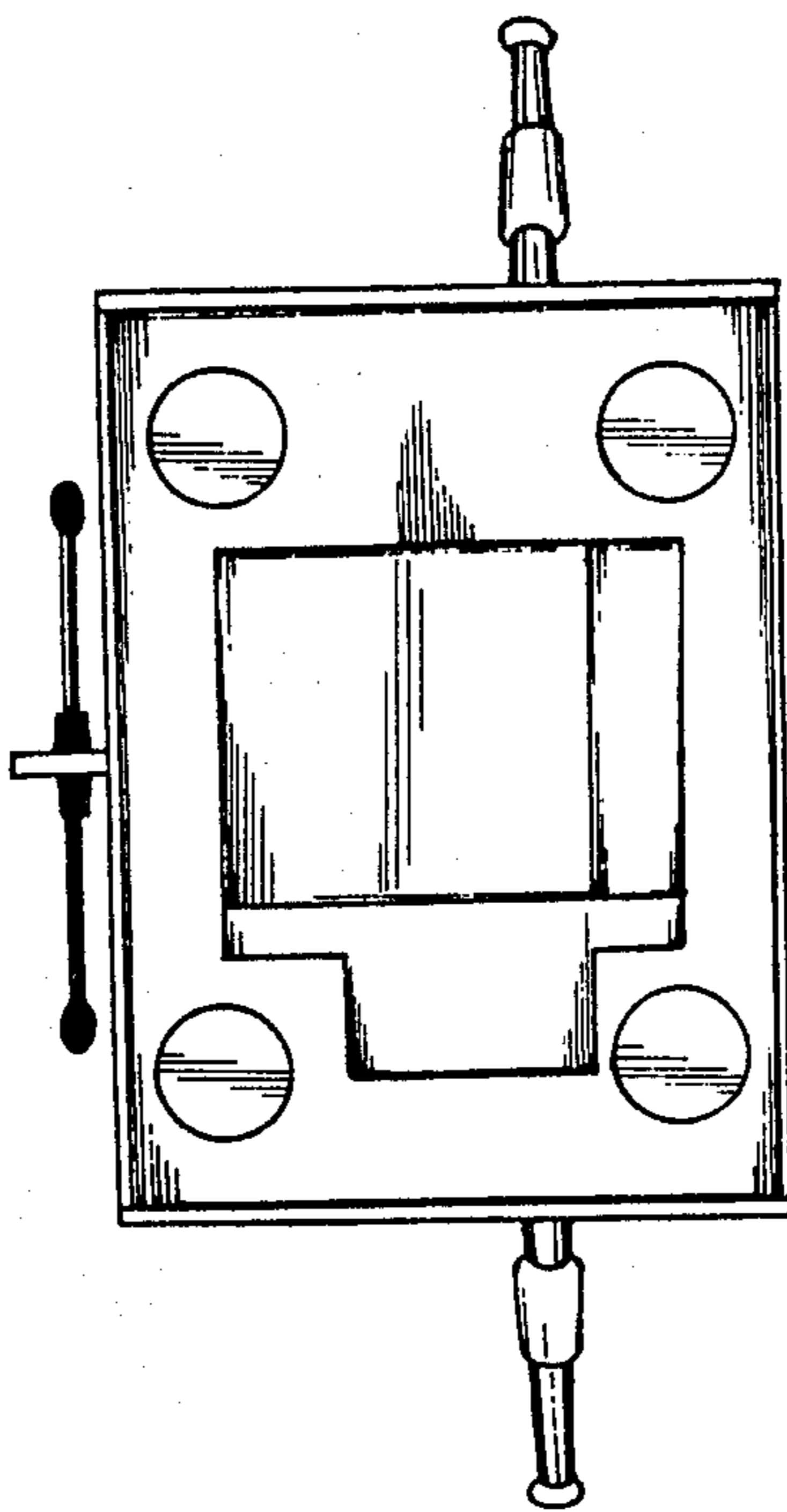


Fig. 6