

United States Patent [19]

Desbarats

[11] Patent Number: **Des. 303,385**

[45] Date of Patent: **** Sep. 12, 1989**

[54] **TELEPHONE BASE**

[75] Inventor: **Gus E. Desbarats, Putney, England**

[73] Assignee: **British Telecommunications public limited company, Great Britain**

[**] Term: **14 Years**

[21] Appl. No.: **231,462**

[22] Filed: **Aug. 12, 1988**

[30] **Foreign Application Priority Data**

Apr. 5, 1988 [GB] United Kingdom 1049680

[52] U.S. Cl. **D14/142; D14/150**

[58] Field of Search **D14/142, 149, 150, 151; 379/419, 428, 434, 435, 436, 440**

[56] **References Cited**

U.S. PATENT DOCUMENTS

- D. 165,017 10/1951 Metzler D14/150
- D. 202,110 8/1965 Wann D14/150
- D. 211,253 6/1963 Sundquist et al. D14/150
- D. 233,351 10/1974 Kramer et al. D14/146

- D. 248,649 7/1978 Breger D14/150
- D. 254,067 1/1980 Janda D14/149
- D. 284,856 7/1986 Marshall D14/150
- D. 290,607 6/1987 Drew et al. D14/150
- D. 294,024 2/1988 Read D14/151
- D. 294,693 3/1988 Wu D14/150
- D. 299,230 1/1989 Gagnon D14/150

OTHER PUBLICATIONS

B. A. Pargh Co. Inc.; Catalog-Fall-Winter 1985-86; at p. 327; "TTC" Dialess 1 and Dialess 111.

Primary Examiner—Horace B. Fay, Jr.
Attorney, Agent, or Firm—Nixon & Vanderhye

[57] **CLAIM**

The ornamental design for a telephone base, as shown and described.

DESCRIPTION

FIG. 1 is a front, top and right side perspective view from above showing my new design; FIG. 2 is a left side elevational view thereof; and FIG. 3 is a rear elevational view thereof. The bottom of the base is plain and unadorned.

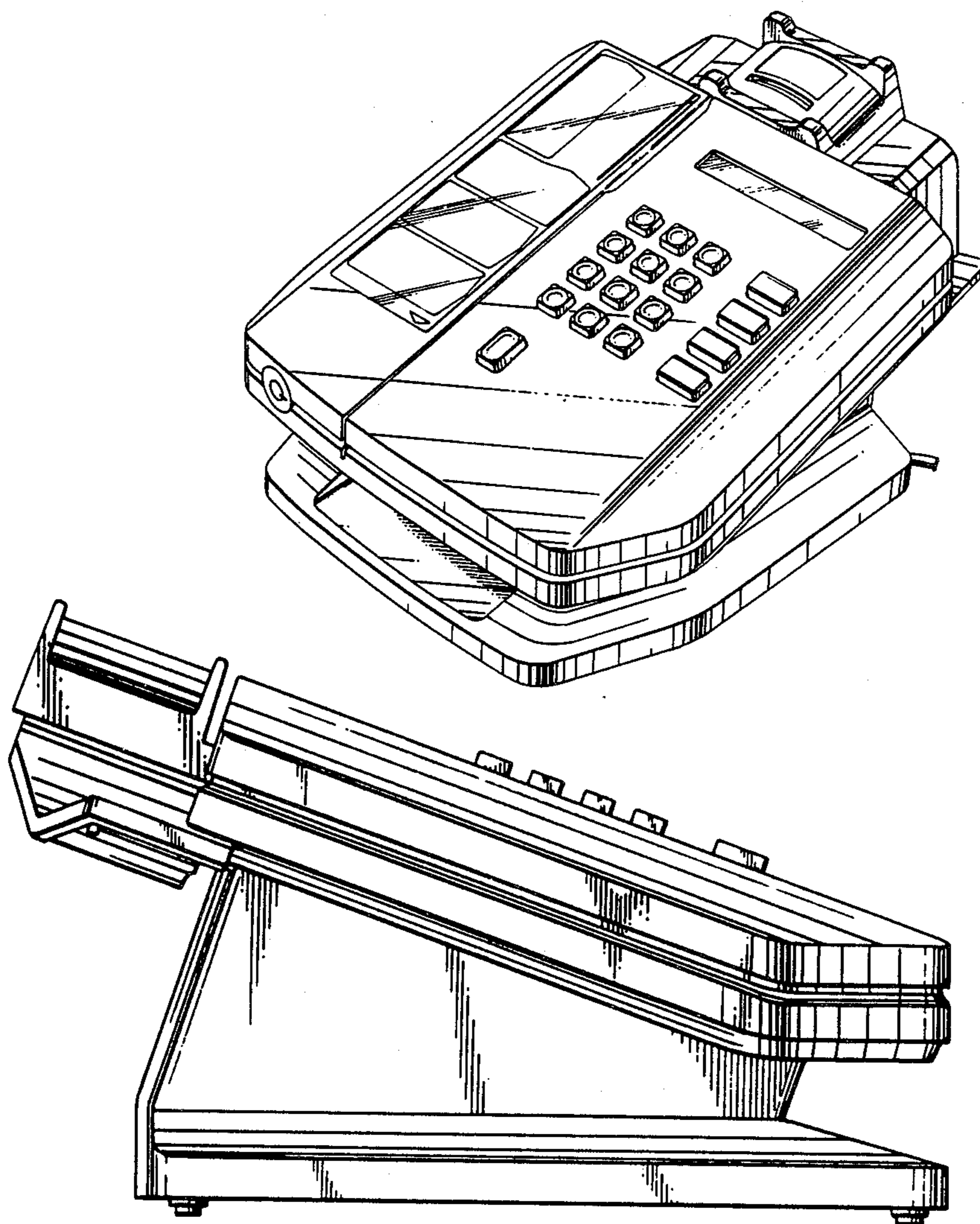


Fig. 1.

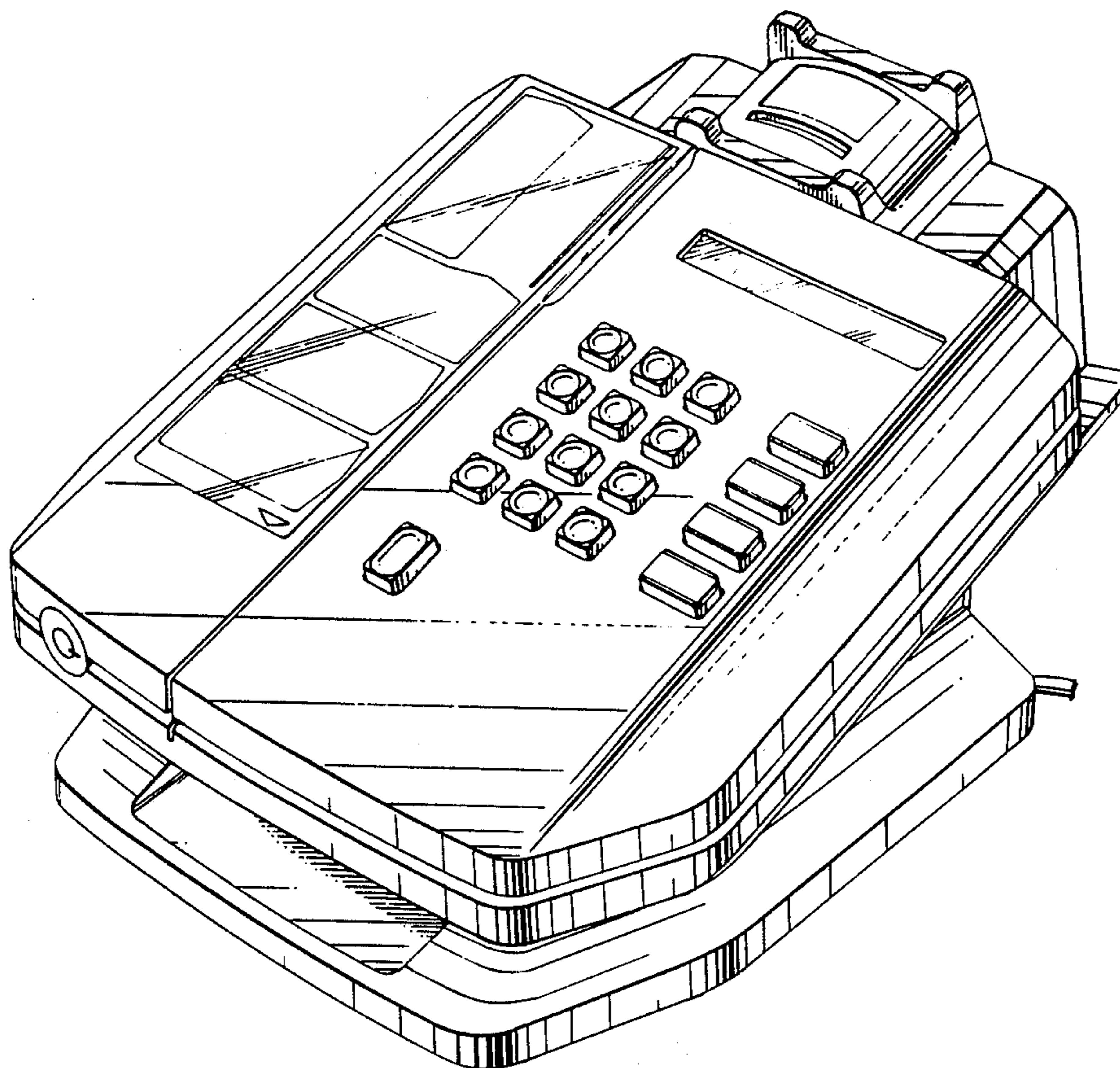


Fig. 2.

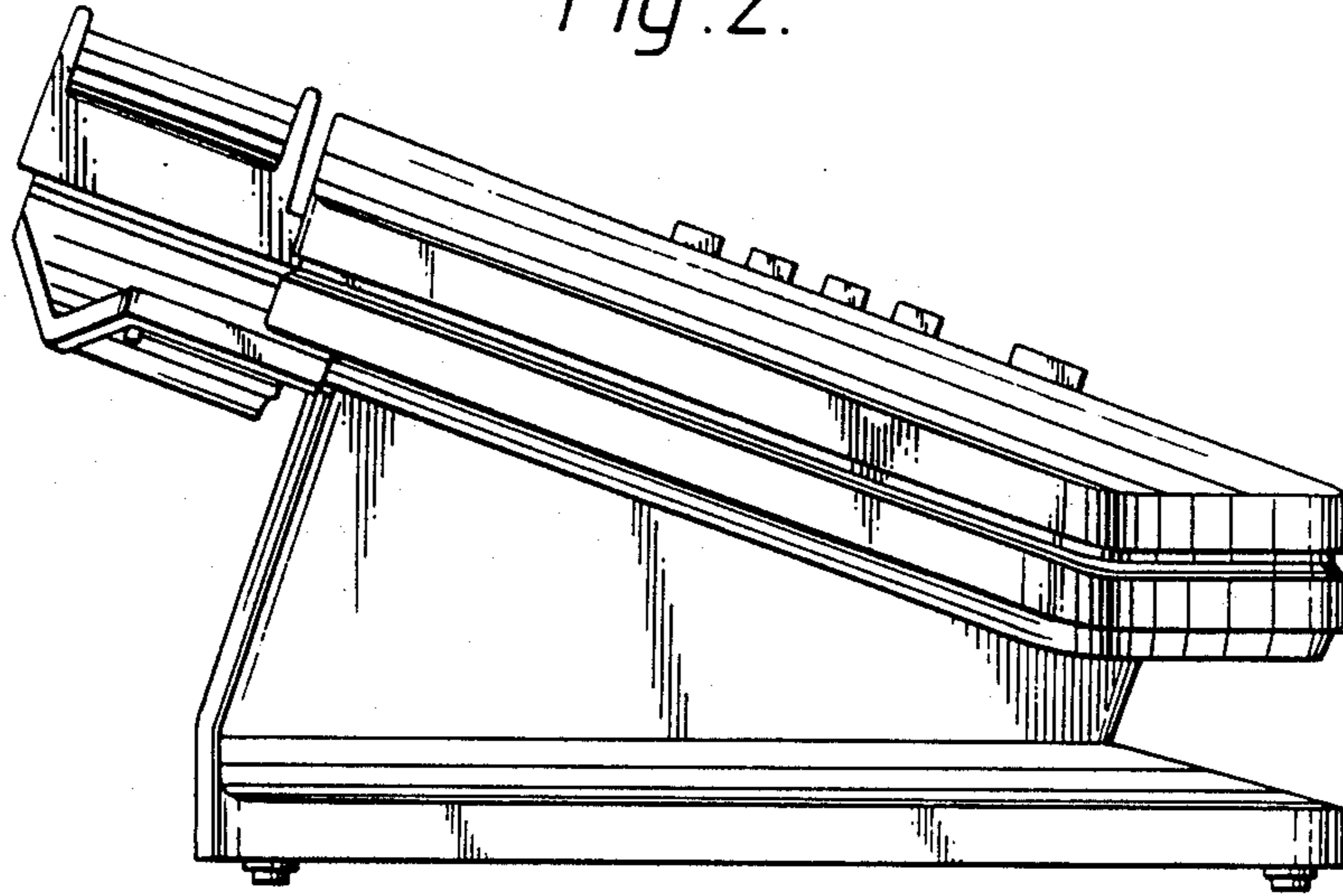


Fig. 3.

