

[54] **MAGNETIC TAPE CASSETTE**

[75] **Inventor: Naokazu Shimazaki, Oiso, Japan**

[73] **Assignee: Sony Corporation, Tokyo, Japan**

[**] **Term: 14 Years**

[21] **Appl. No.: 893,739**

[22] **Filed: Aug. 6, 1986**

[30] **Foreign Application Priority Data**

Feb. 17, 1986 [JP] Japan 61-5227

[52] **U.S. Cl. D14/121**

[58] **Field of Search D14/115, 120, 121, 122;
242/71.8, 197, 198, 199**

[56] **References Cited**

U.S. PATENT DOCUMENTS

D. 247,778 4/1978 Nagatomo D14/121
4,452,408 6/1984 Sasaki 242/197 X
4,524,926 6/1985 Nemoto et al. 242/198

OTHER PUBLICATIONS

Video Review, Jun. 1986, p. 58, top left-center cassette.

Primary Examiner—Bernard Ansher

Assistant Examiner—Theodore M. Shooman

Attorney, Agent, or Firm—Lewis H. Eslinger; Jay H. Maioli

[57] **CLAIM**

The ornamental design for a magnetic tape cassette, as shown.

DESCRIPTION

FIG. 1 is a top, rear and right side perspective view of a magnetic tape cassette showing my new design;

FIG. 2 is a bottom, rear and left side perspective view thereof;

FIG. 3 is a rear elevational view thereof, inverted 180 degrees from FIG. 1;

FIG. 4 is a front elevational view thereof;

FIG. 5 is a left-side elevational view thereof;

FIG. 6 is a right-side elevational view thereof;

FIG. 7 is a top plan view thereof; and

FIG. 8 is a bottom plan view thereof.

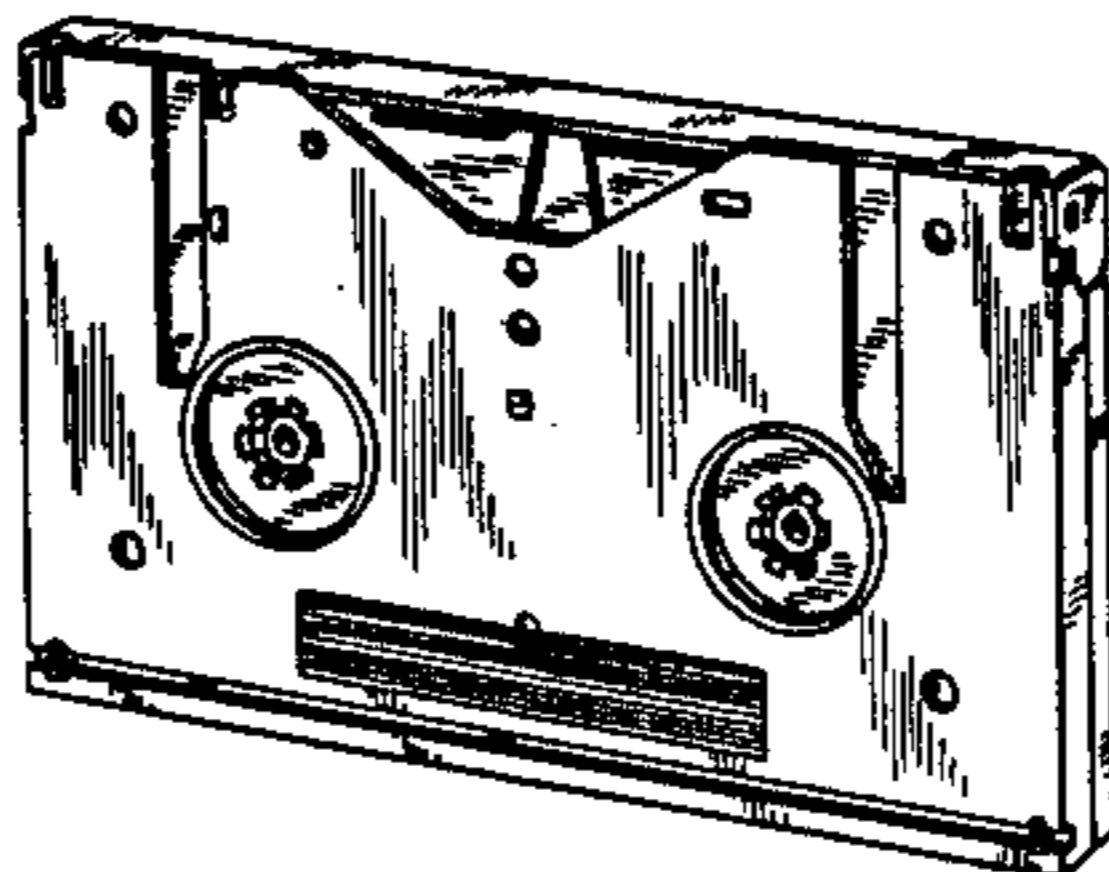
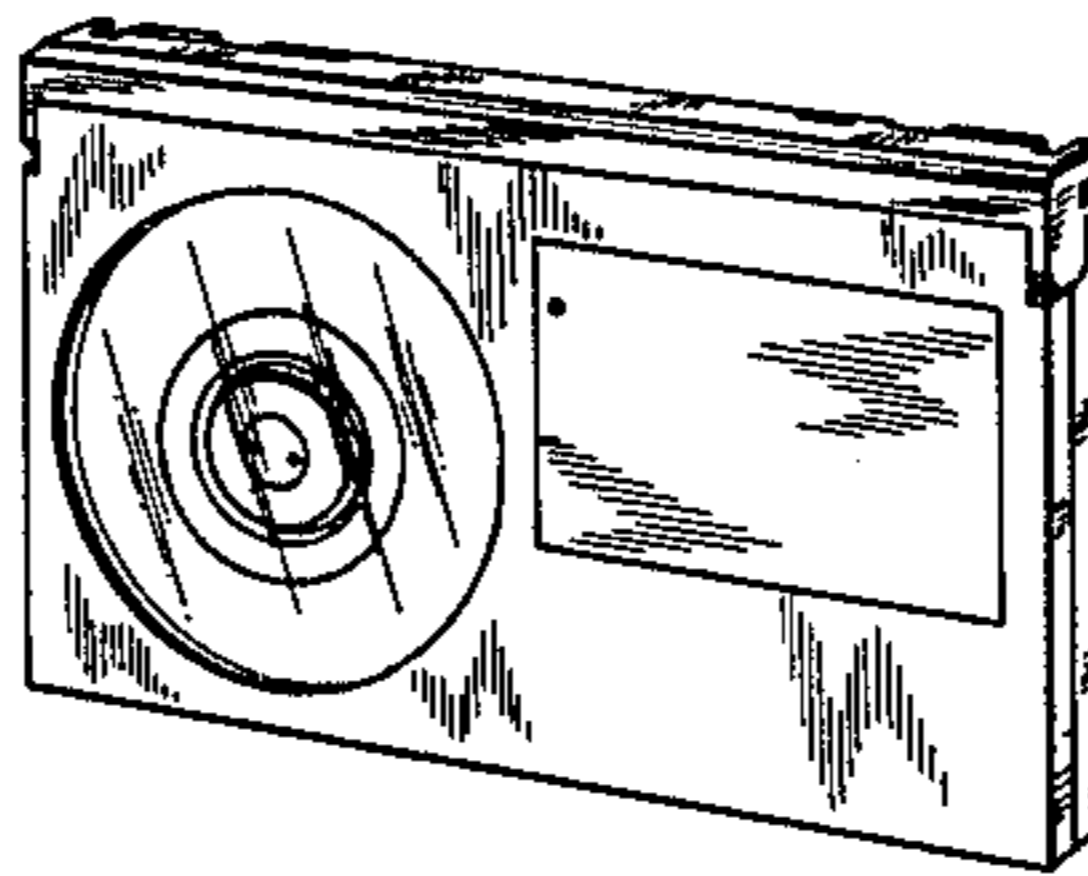


FIG. 1

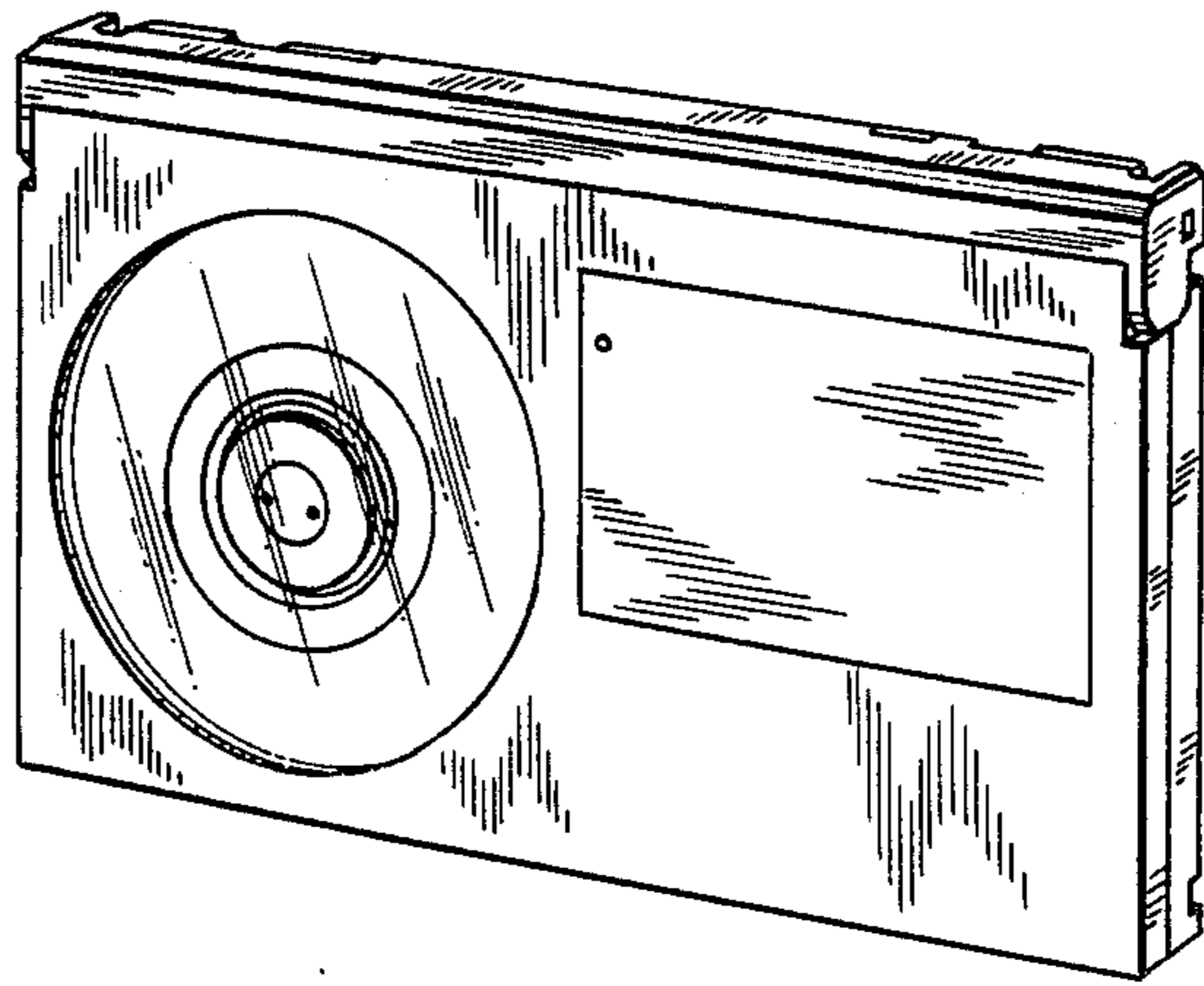


FIG. 2

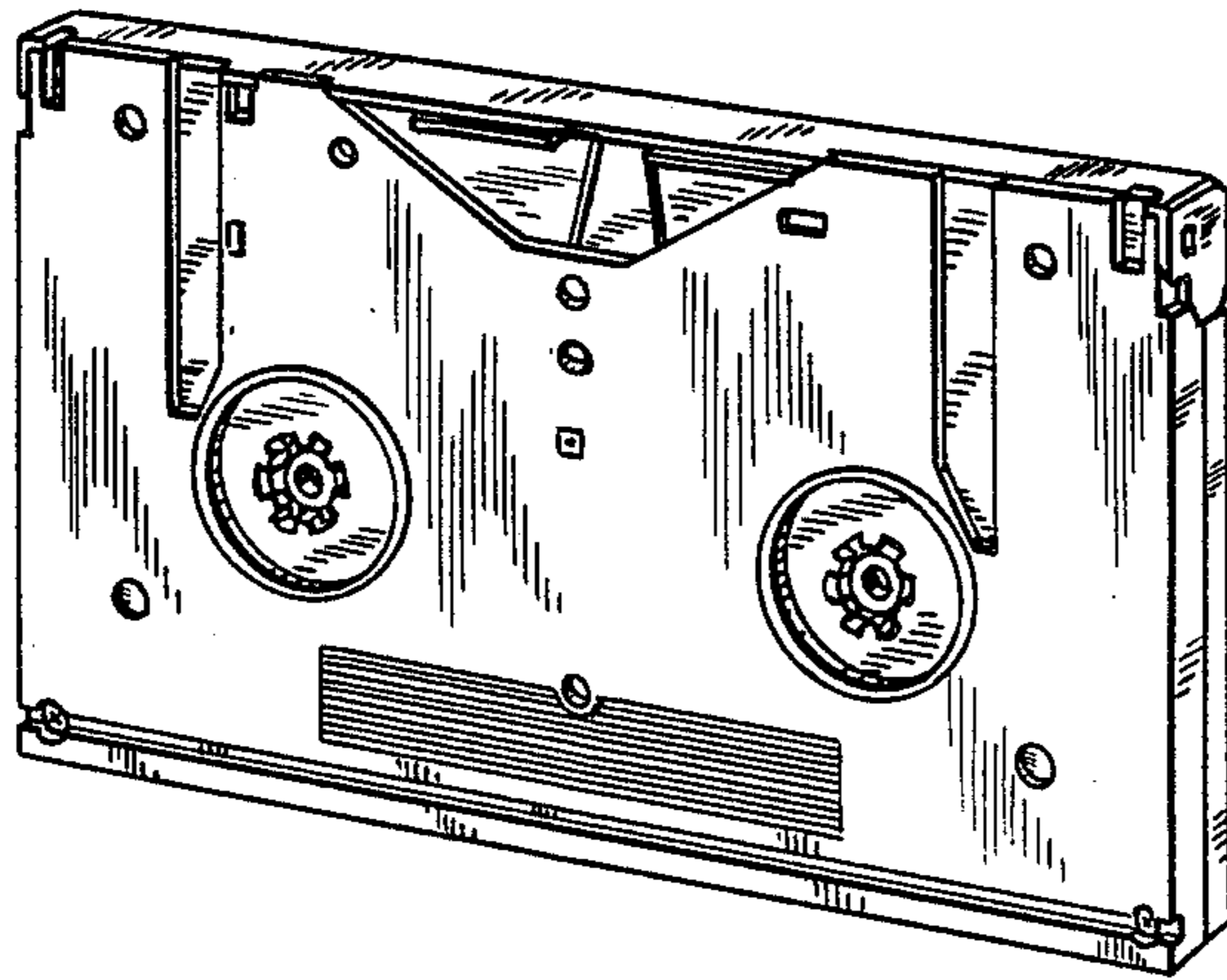


FIG. 3

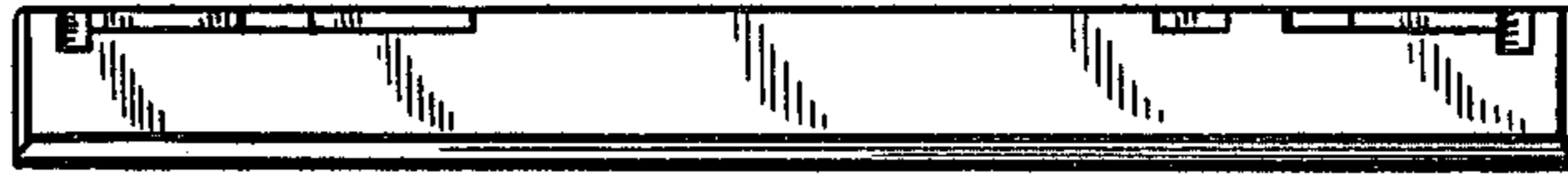


FIG. 4

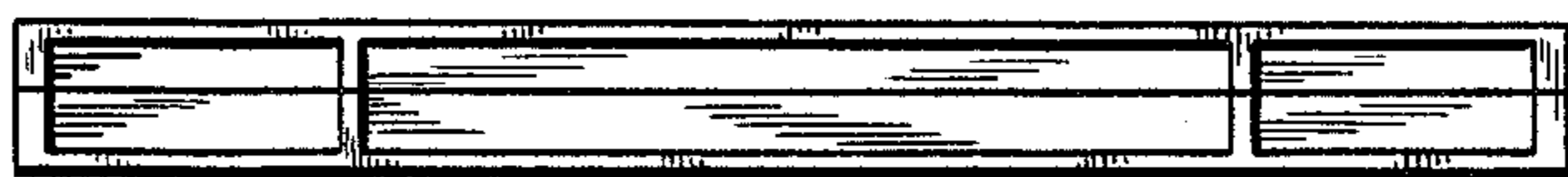


FIG. 5



FIG. 6

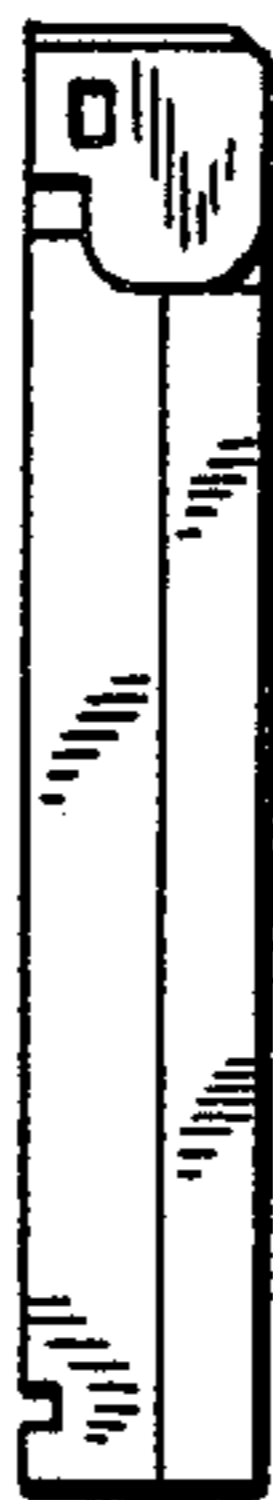


FIG. 7

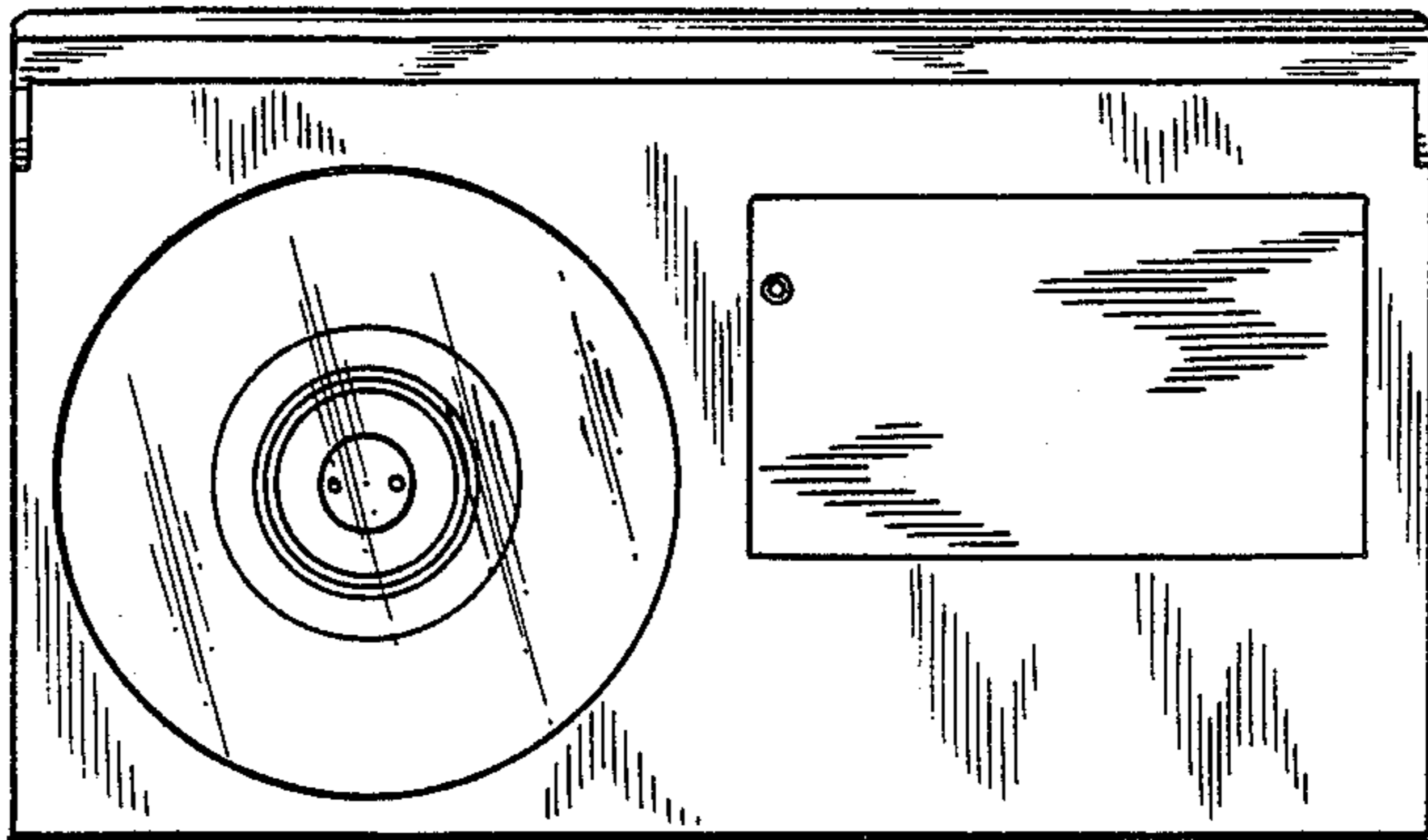


FIG. 8

