

[54] BATTERY

[75] Inventor: Larry K. W. Ching, Jr., Littleton, Colo.

[73] Assignee: Gates Energy Products, Inc., Denver, Colo.

[**] Term: 14 Years

[21] Appl. No.: 194,074

[22] Filed: May 13, 1988

[52] U.S. Cl. D13/8

[58] Field of Search D13/4, 8-11; D14/137; 429/27, 54, 97-100, 123, 133, 149, 151, 153, 159, 160, 163, 176; 307/150; 320/2

[56] References Cited

U.S. PATENT DOCUMENTS

D. 46,032 6/1914 Gillingham D13/8

4,346,151 8/1982 Uba et al. 429/54

Primary Examiner—Susan J. Lucas
Assistant Examiner—Joel Sincavage
Attorney, Agent, or Firm—Jack E. Ebel; Curtis H. Castleman, Jr.; H. W. Oberg, Jr.

[57] CLAIM

The ornamental design for a battery, as shown and described.

DESCRIPTION

FIG. 1 is a top perspective view of a battery showing our new design;
FIG. 2 is a side elevational view thereof;
FIG. 3 is a top plan view thereof;
FIG. 4 is a bottom plan view thereof;
FIG. 5 is a side elevational view thereof, the opposite side being a mirror image; and
FIG. 6 is a front elevational view thereof.

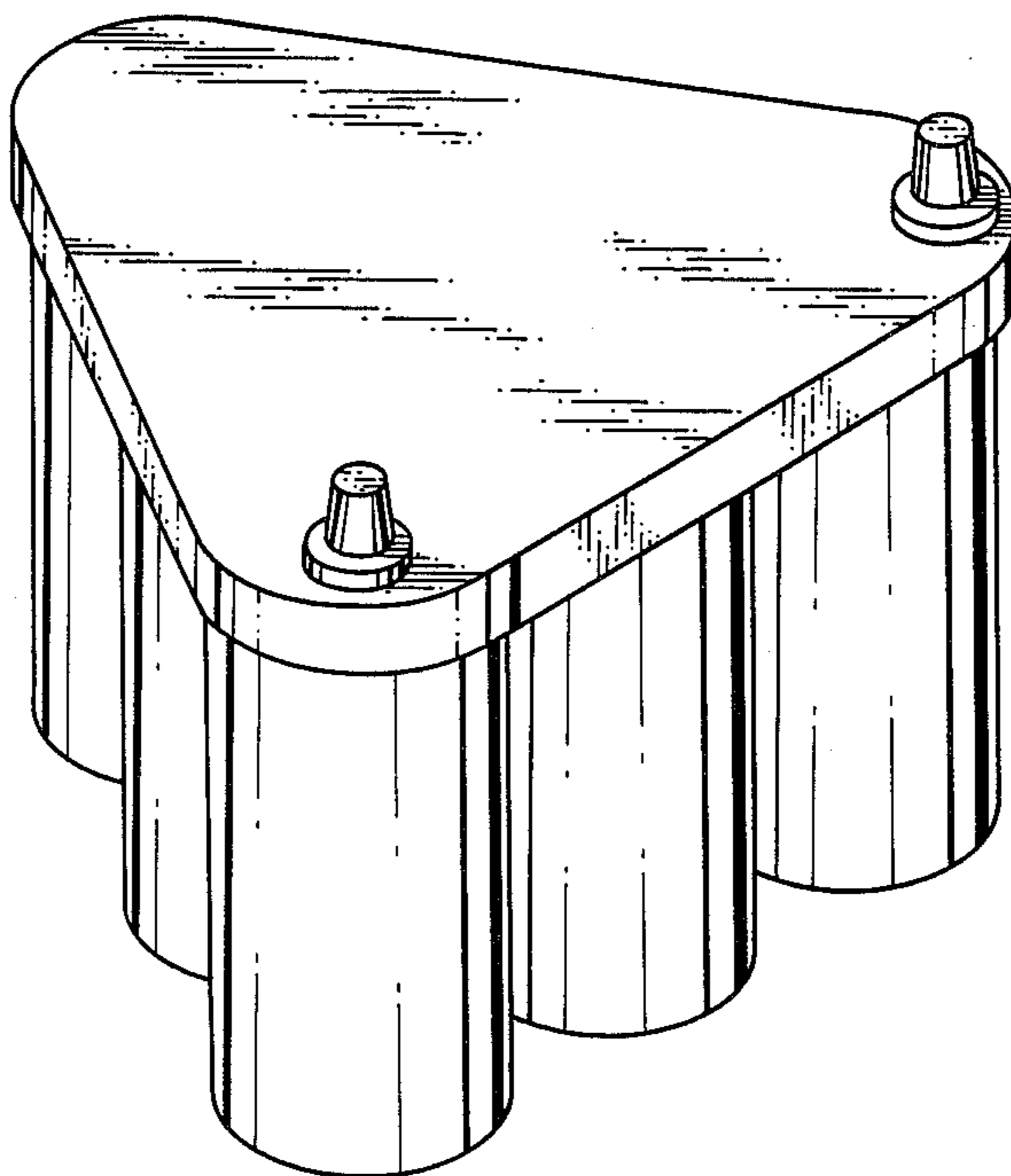


FIG. 1

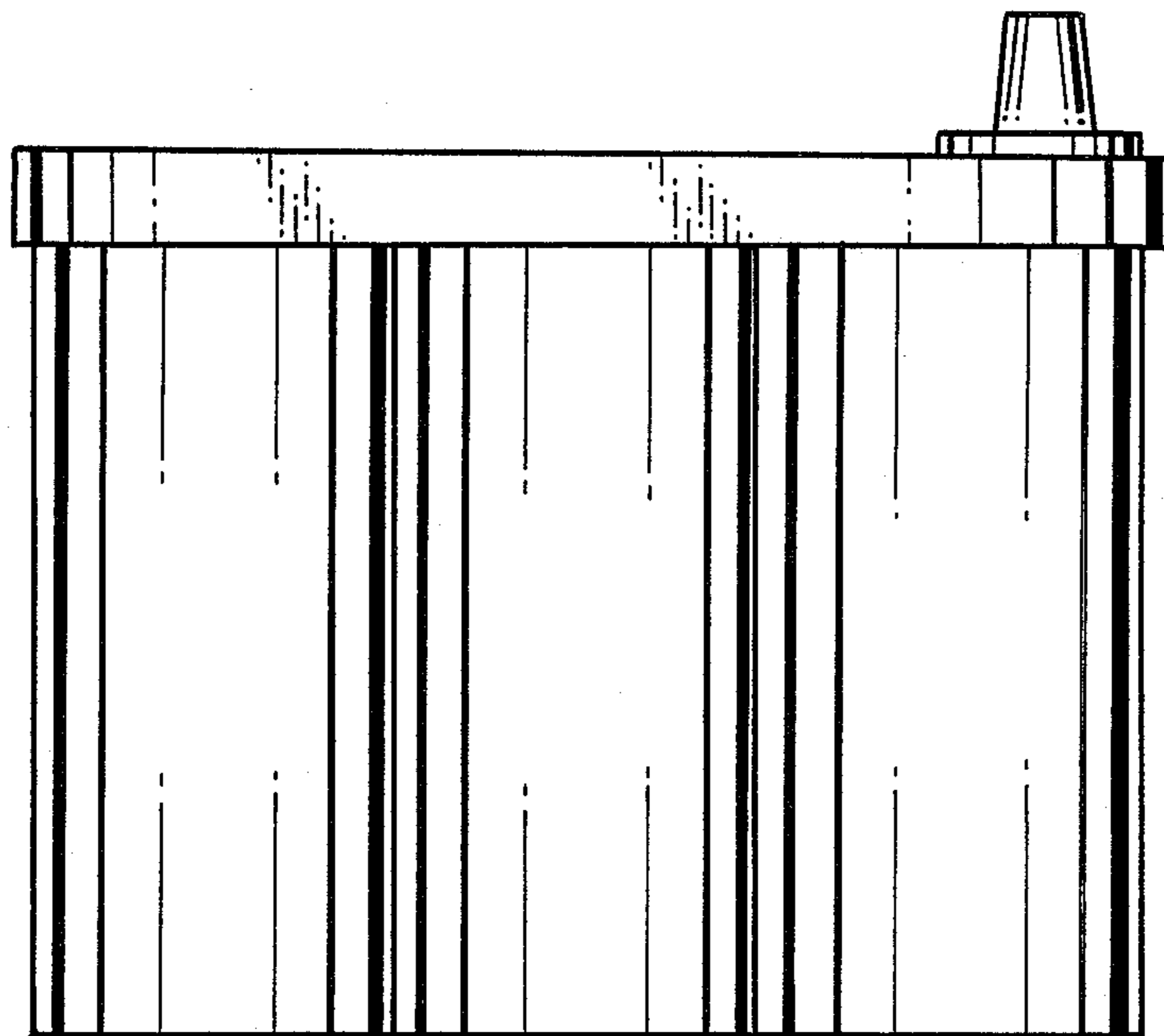
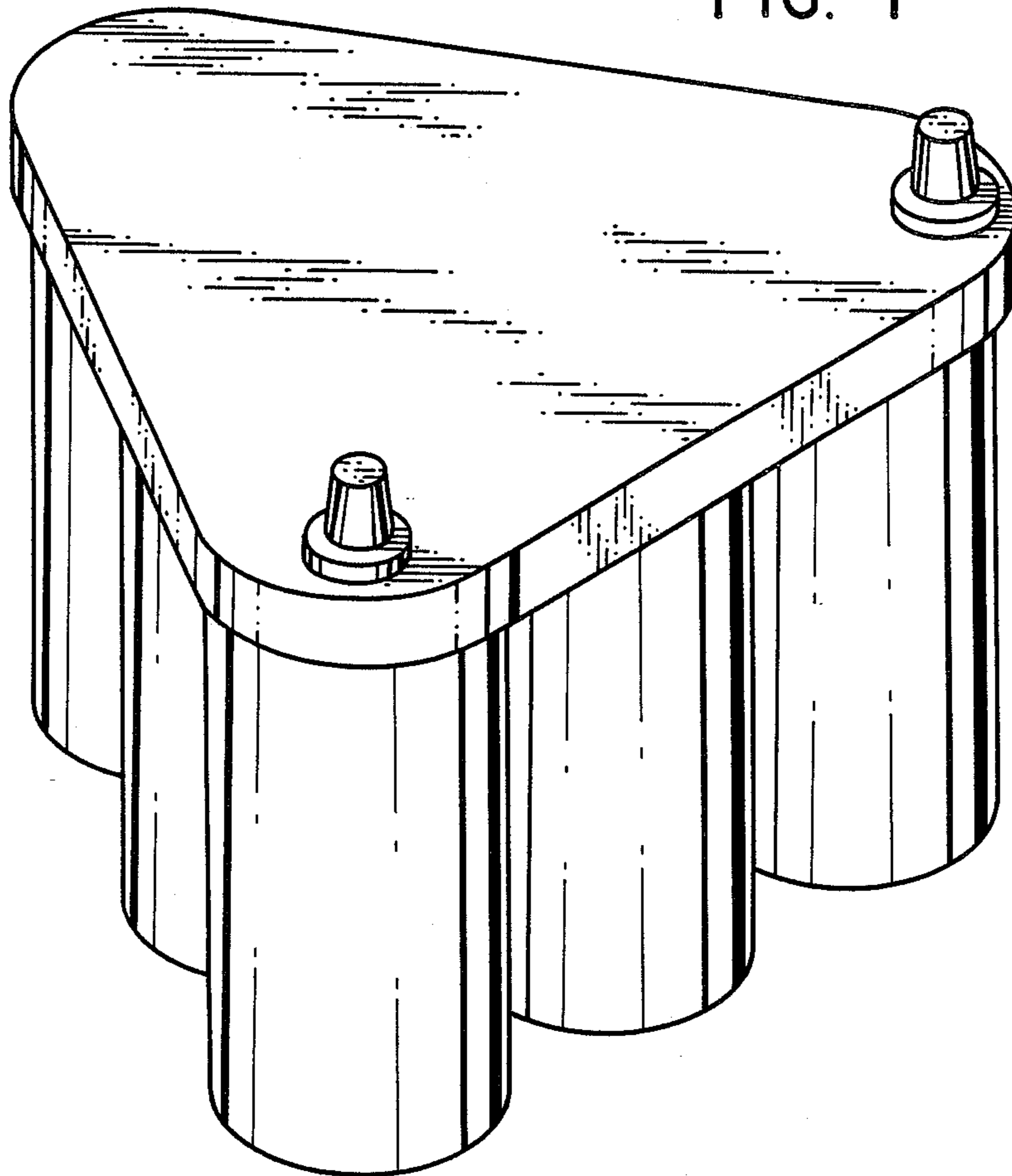


FIG. 2

FIG. 3

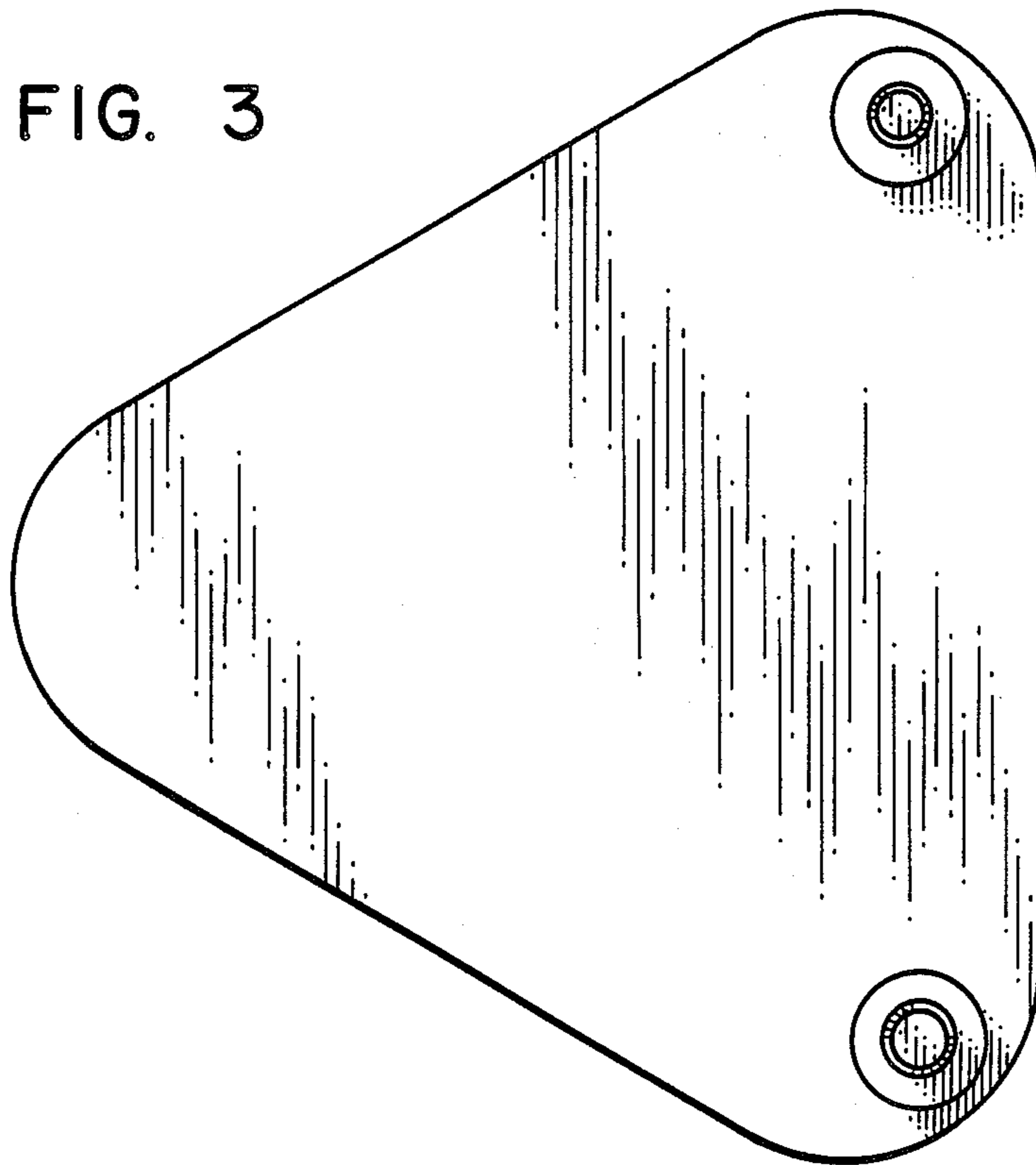


FIG. 4

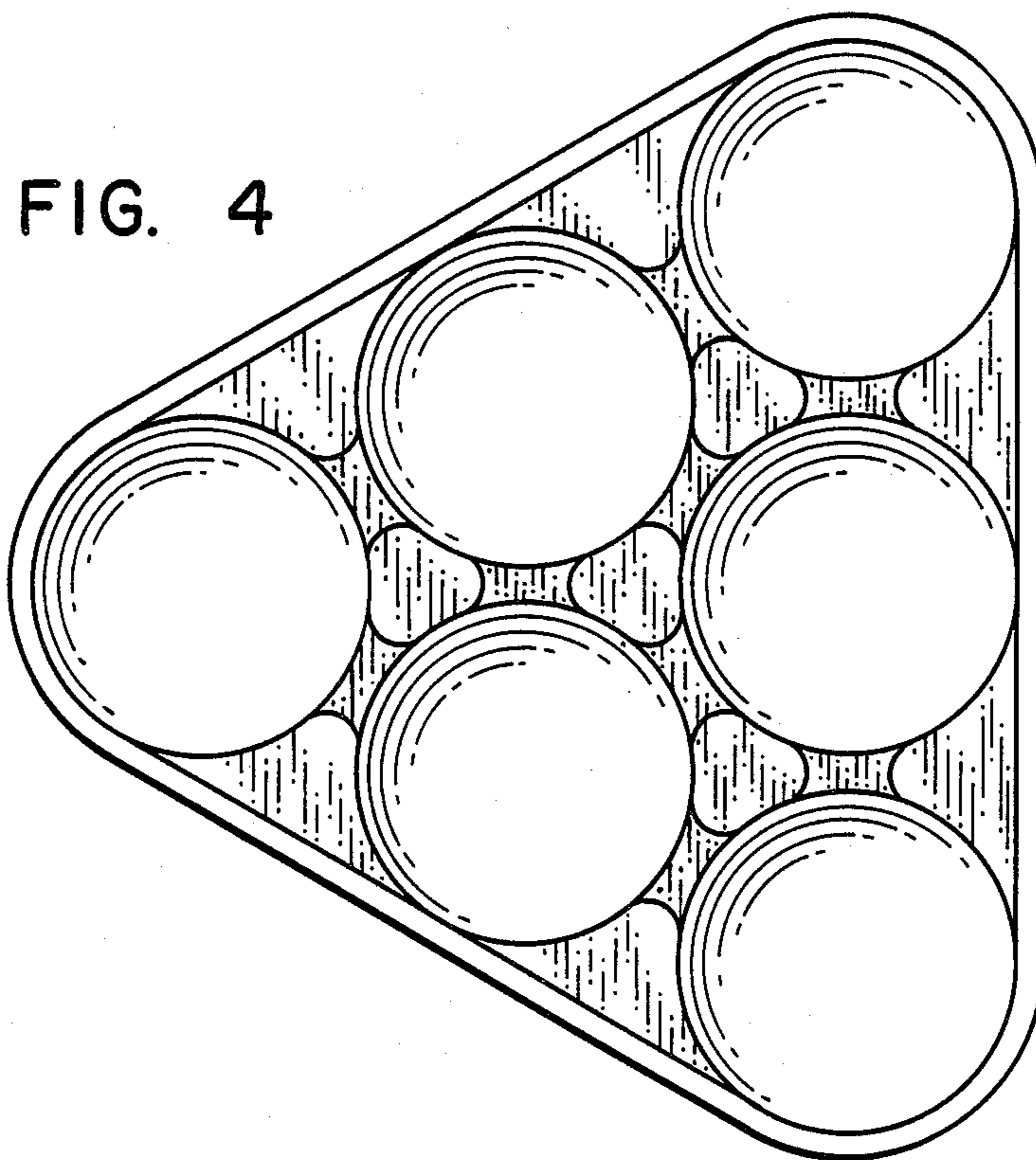


FIG. 5

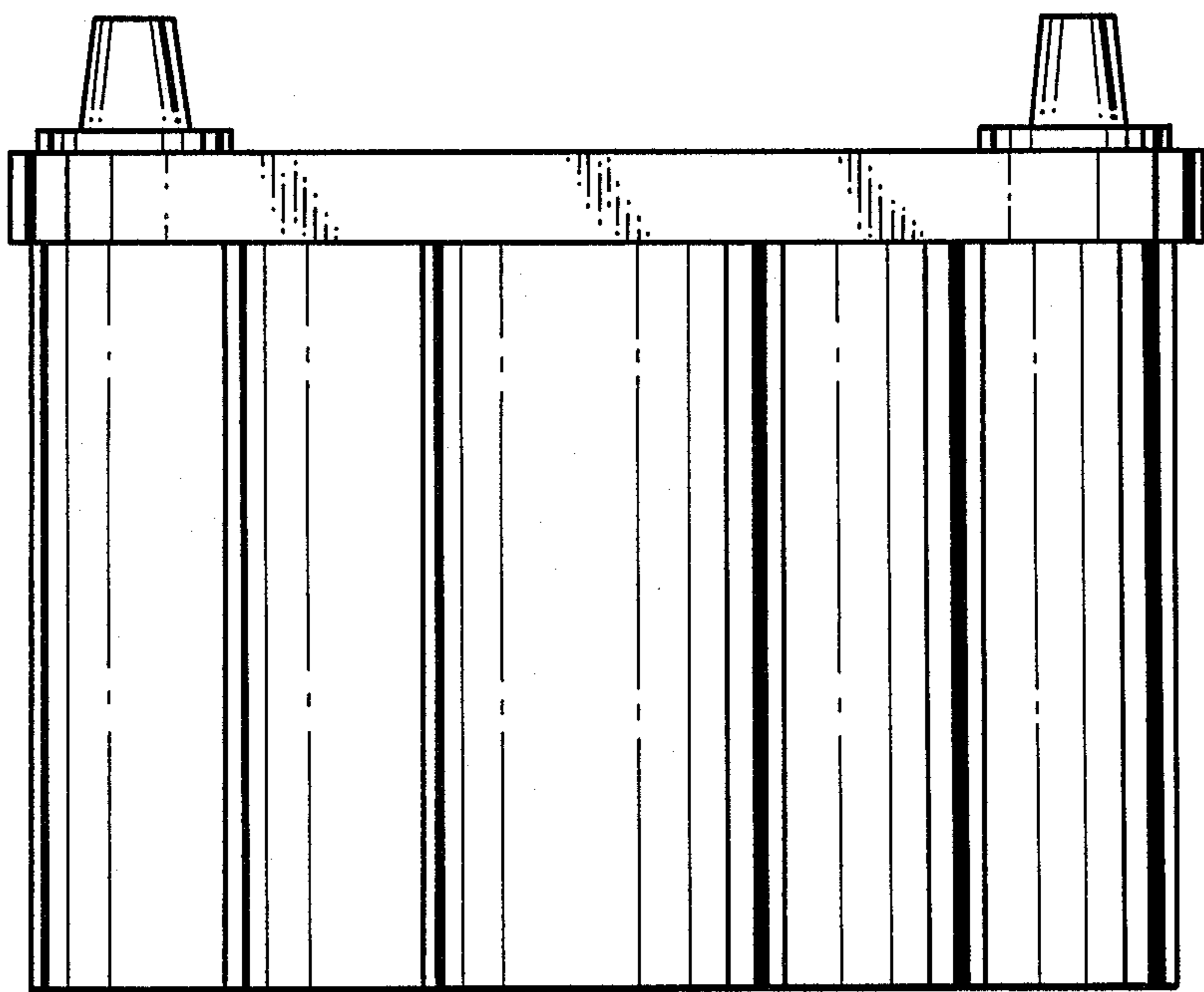
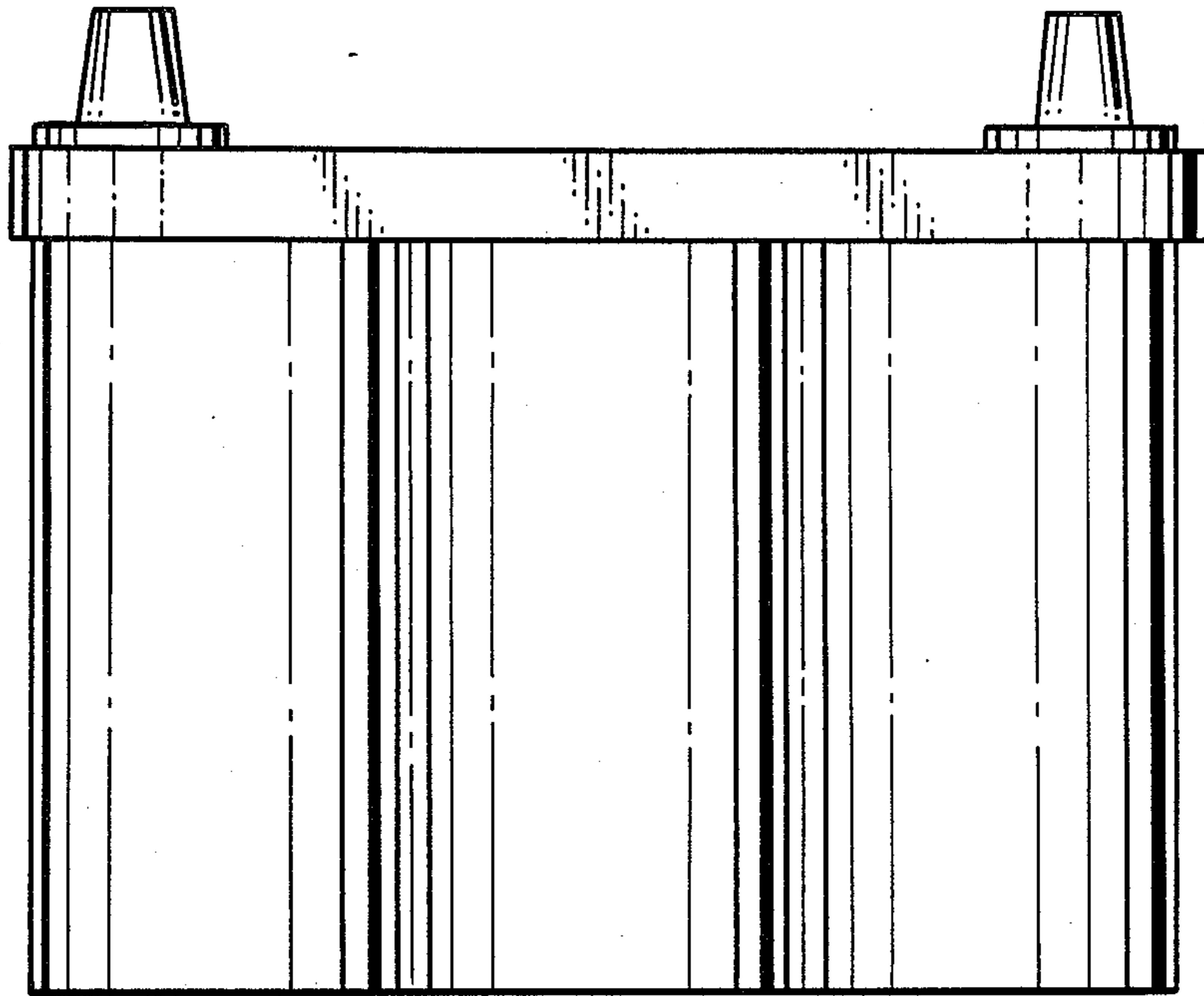


FIG. 6