

[54] POWER INVERTER

[75] Inventors: Nobuyuki Kondo; Yoshinori Abe, both of Kamakura; hideaki Tata, Nagoya; Eiji Ito, Nagoya; Katsuhiko Chonan, Nagoya; Hideo Inuma, Nagoya, all of Japan

[73] Assignee: Mitsubishi Denki Kabushiki Kaisha, Tokyo, Japan

[**] Term: 14 Years

[21] Appl. No.: 247,425

[22] Filed: Sep. 21, 1988

Related U.S. Application Data

[62] Division of Ser. No. 743,703, Jun. 3, 1985.

[30] Foreign Application Priority Data

Dec. 3, 1984 [JP]	Japan	59-49661
Dec. 3, 1984 [JP]	Japan	59-49665
Dec. 3, 1984 [JP]	Japan	59-49666
Dec. 3, 1984 [JP]	Japan	59-49667

[52] U.S. Cl. D13/4

[58] Field of Search D13/4, 11-12, D13/40-41, 99; 363/16, 37, 63, 71, 95, 177

[56] References Cited

U.S. PATENT DOCUMENTS

D. 148,332	1/1948	Scofield et al.	D13/11
D. 225,013	10/1972	Stewart	D13/40
D. 225,751	1/1973	Urquhart et al.	D13/11
D. 226,011	1/1973	Urquhart et al.	D13/11
D. 269,605	7/1983	Provanzano et al.	D13/40

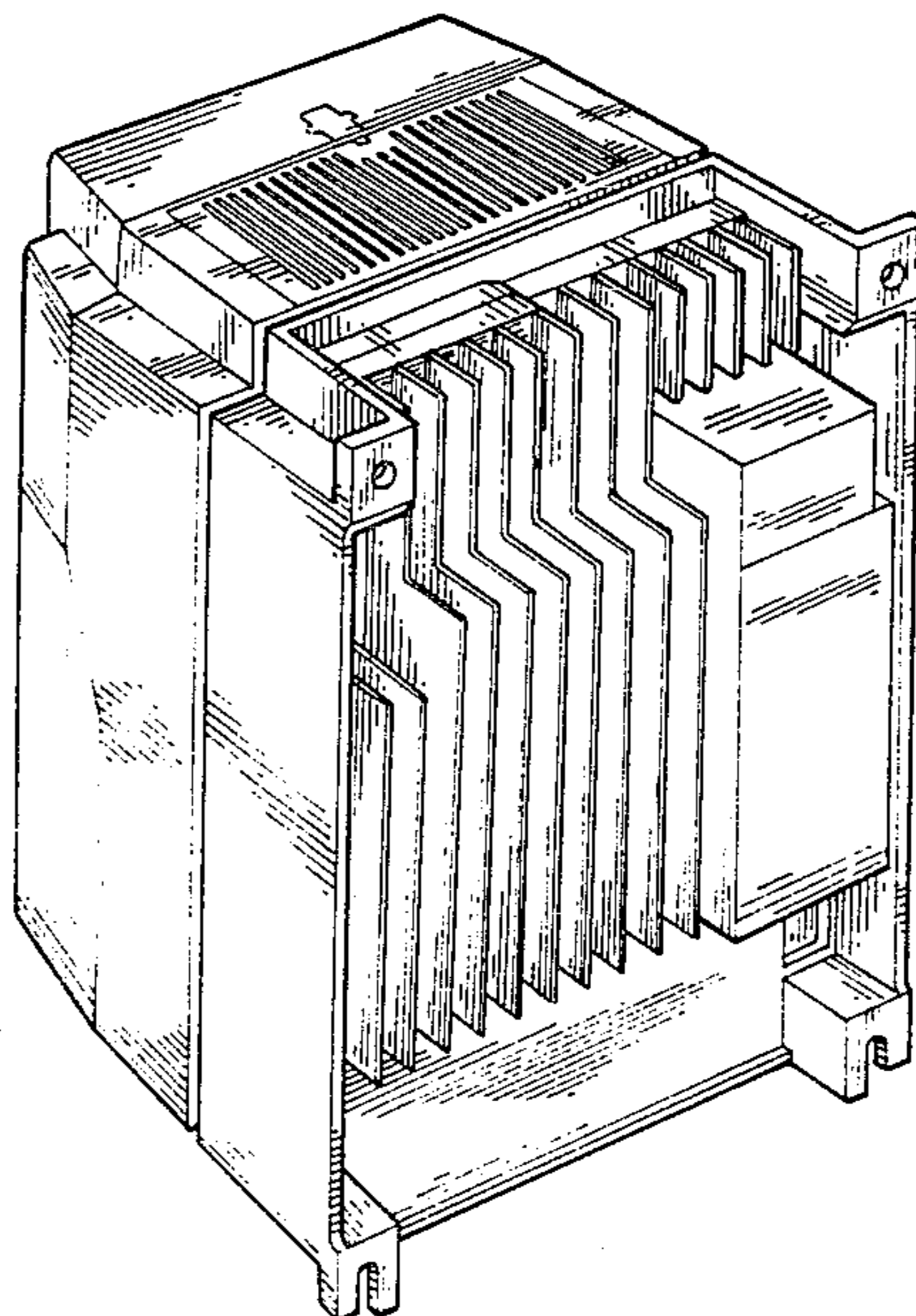
Primary Examiner—Bruce W. Dunkins
Assistant Examiner—Ruth Takemoto
Attorney, Agent, or Firm—Oblon, Spivak, McClelland, Maier & Neustadt

[57] CLAIM

The ornamental design for a power inverter, as shown.

DESCRIPTION

FIG. 1 is a top plan view of a power inverter showing our new design;
FIG. 2 is a front elevational view thereof;
FIG. 3 is a right side elevational view thereof;
FIG. 4 is a bottom plan view thereof;
FIG. 5 is a rear elevational view thereof;
FIG. 6 is a left side elevational view thereof; and
FIG. 7 is a perspective view thereof as seen from the top, rear and one side.



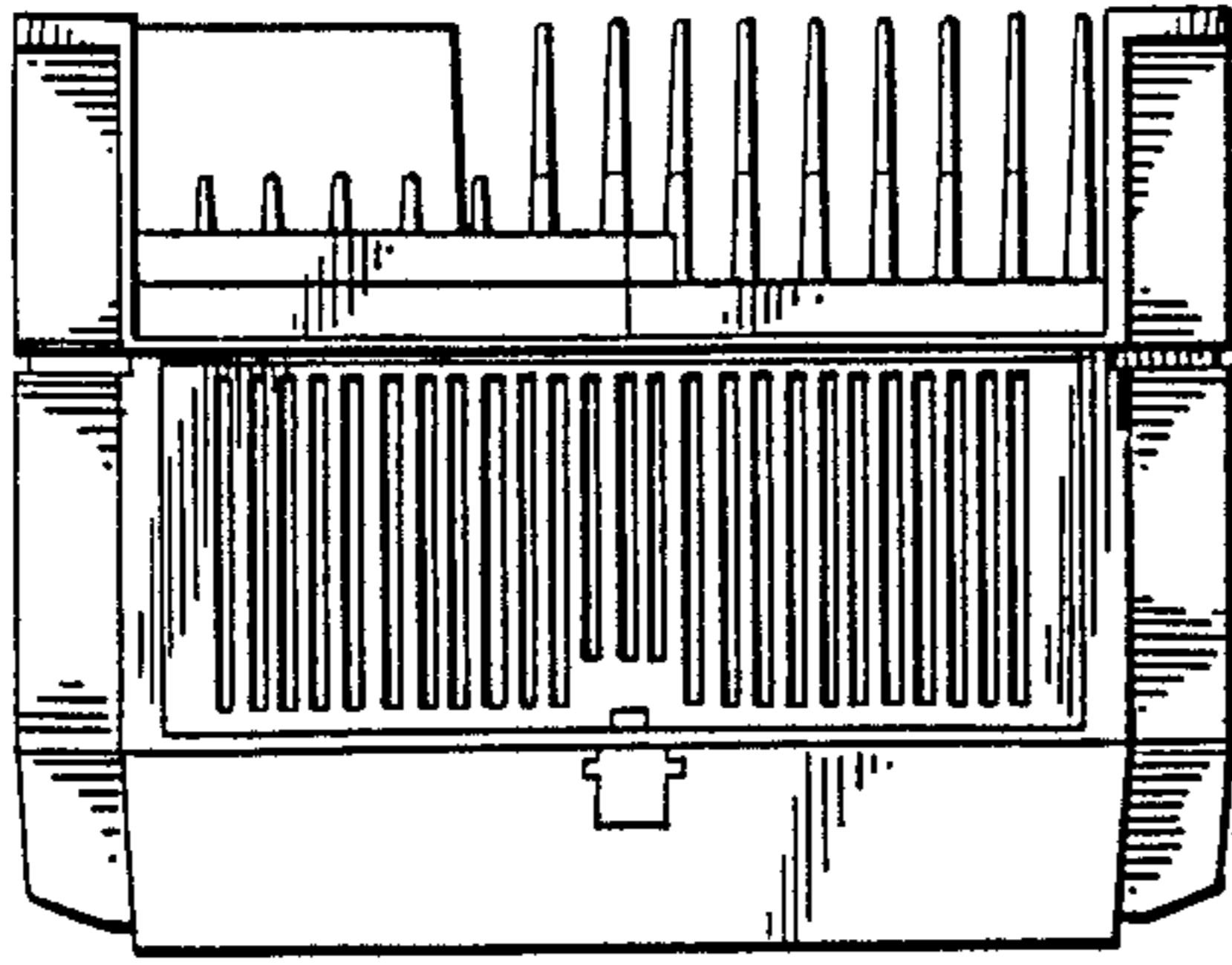


FIG. 1

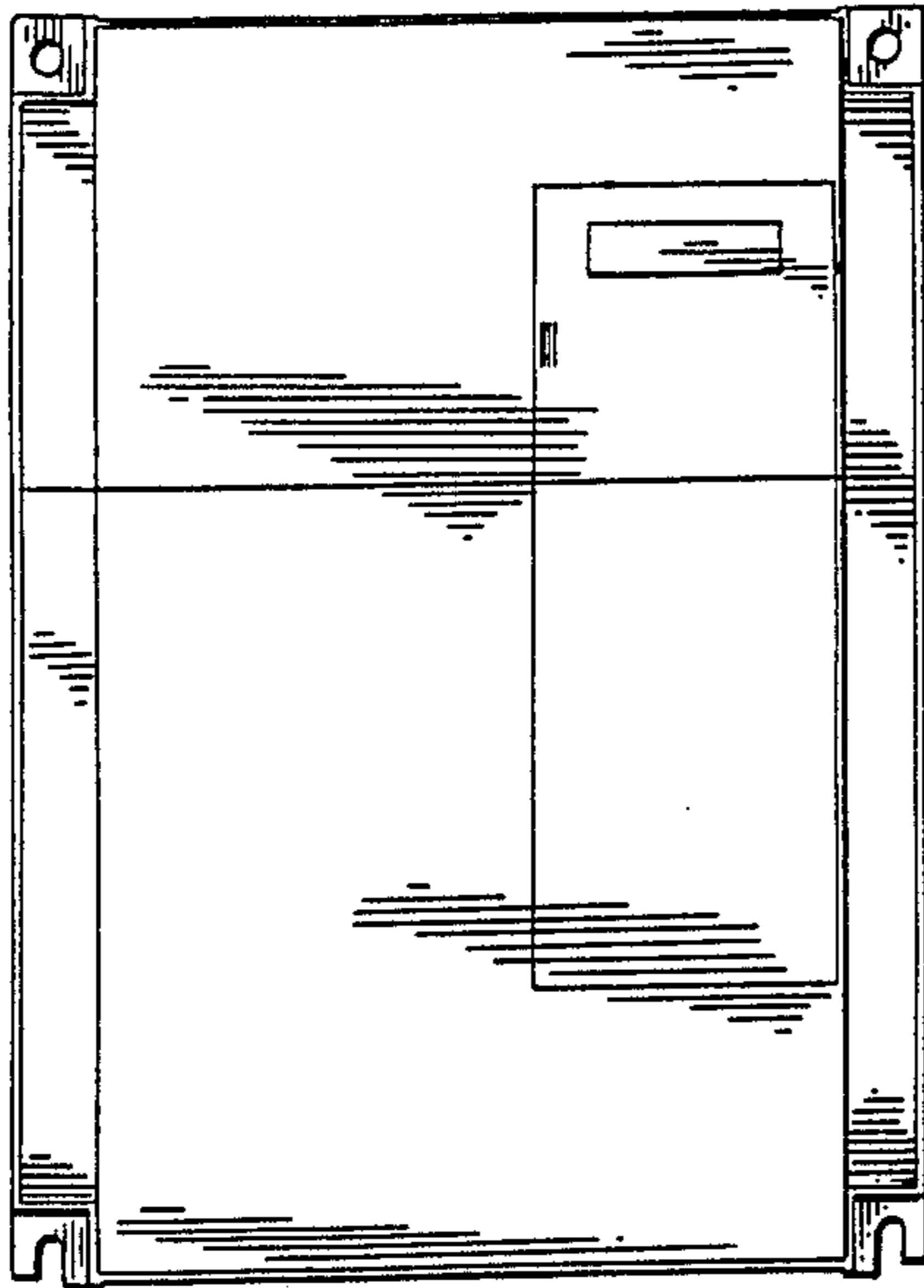


FIG. 2

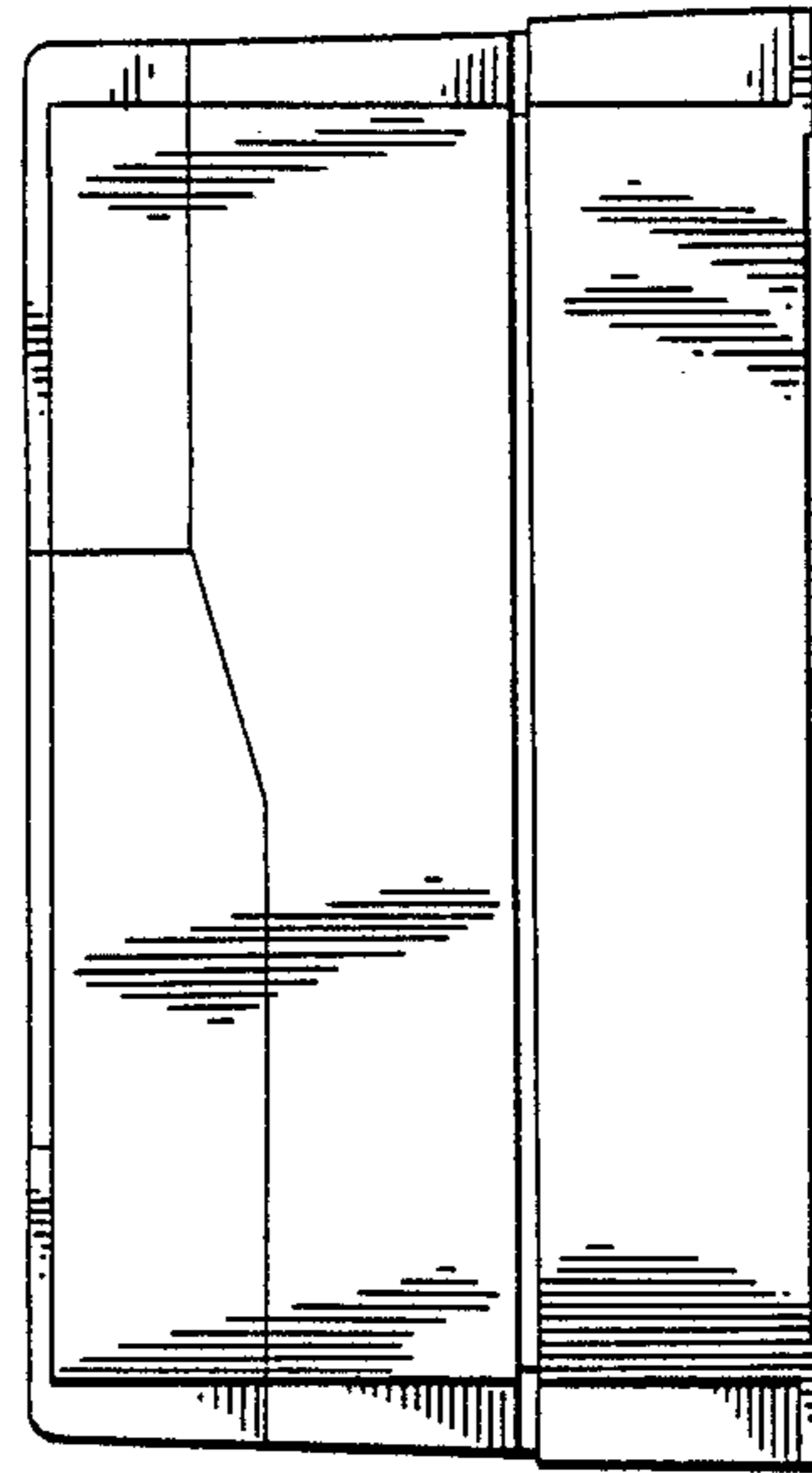


FIG. 3

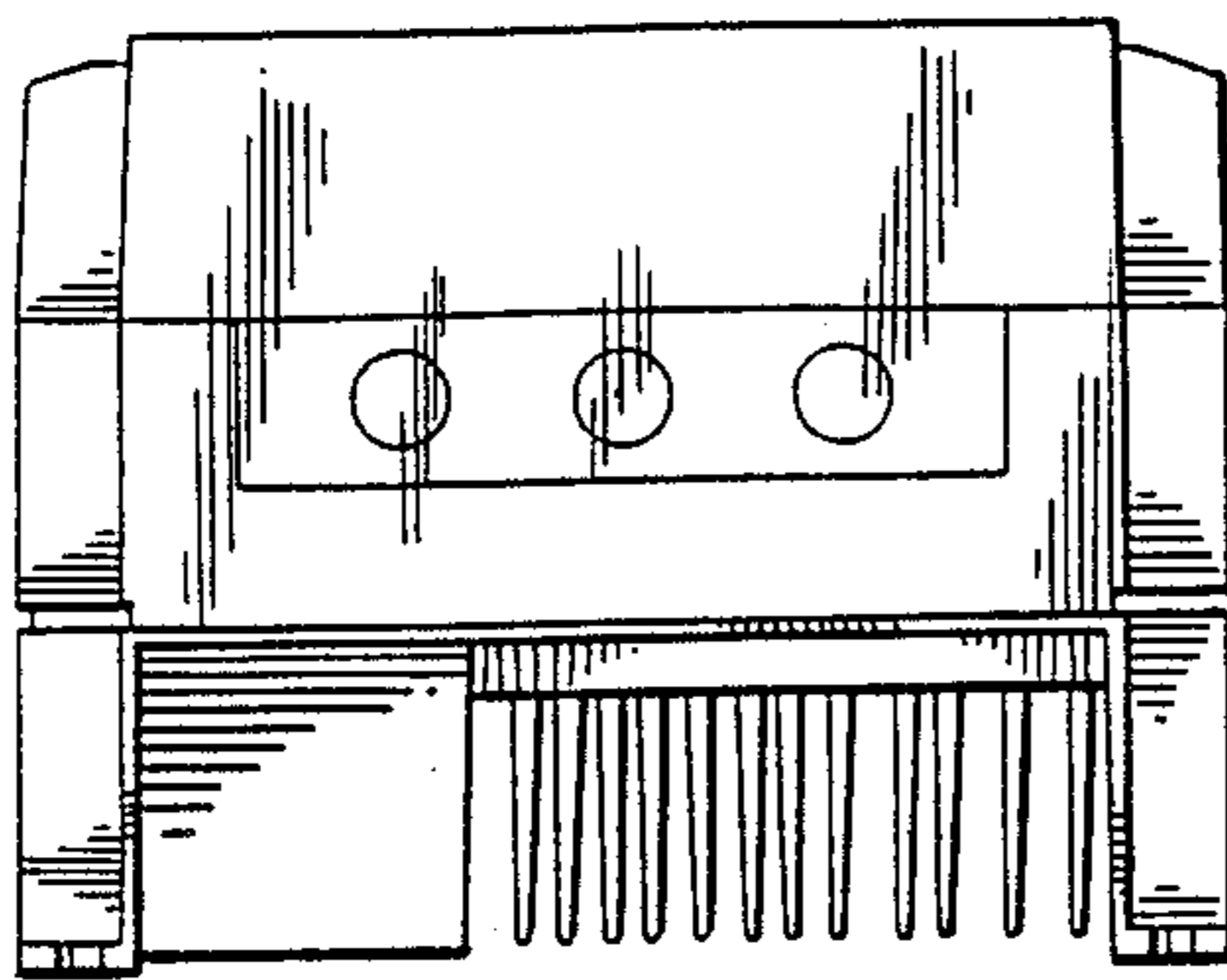


FIG. 4

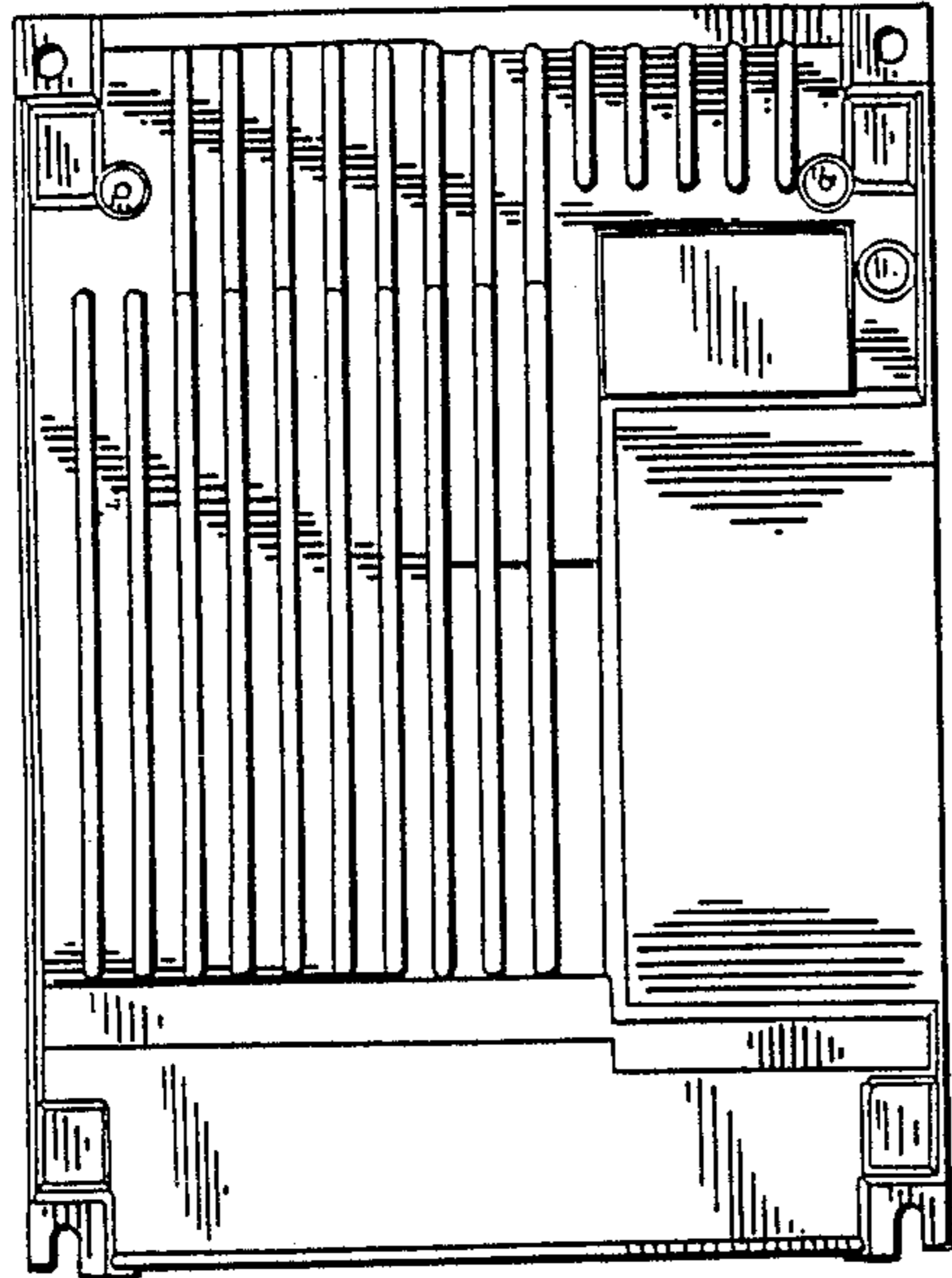


FIG. 5

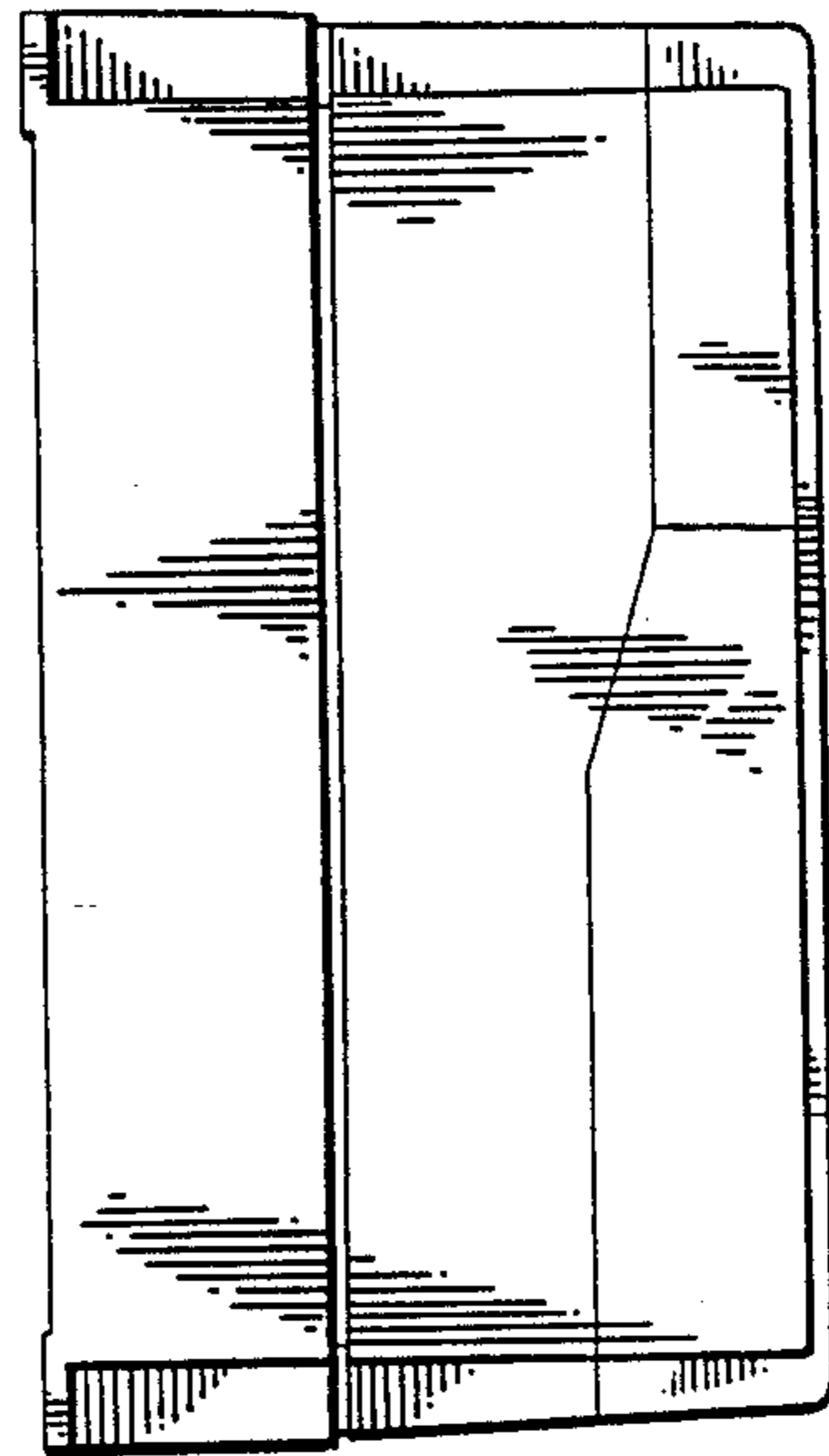


FIG. 6

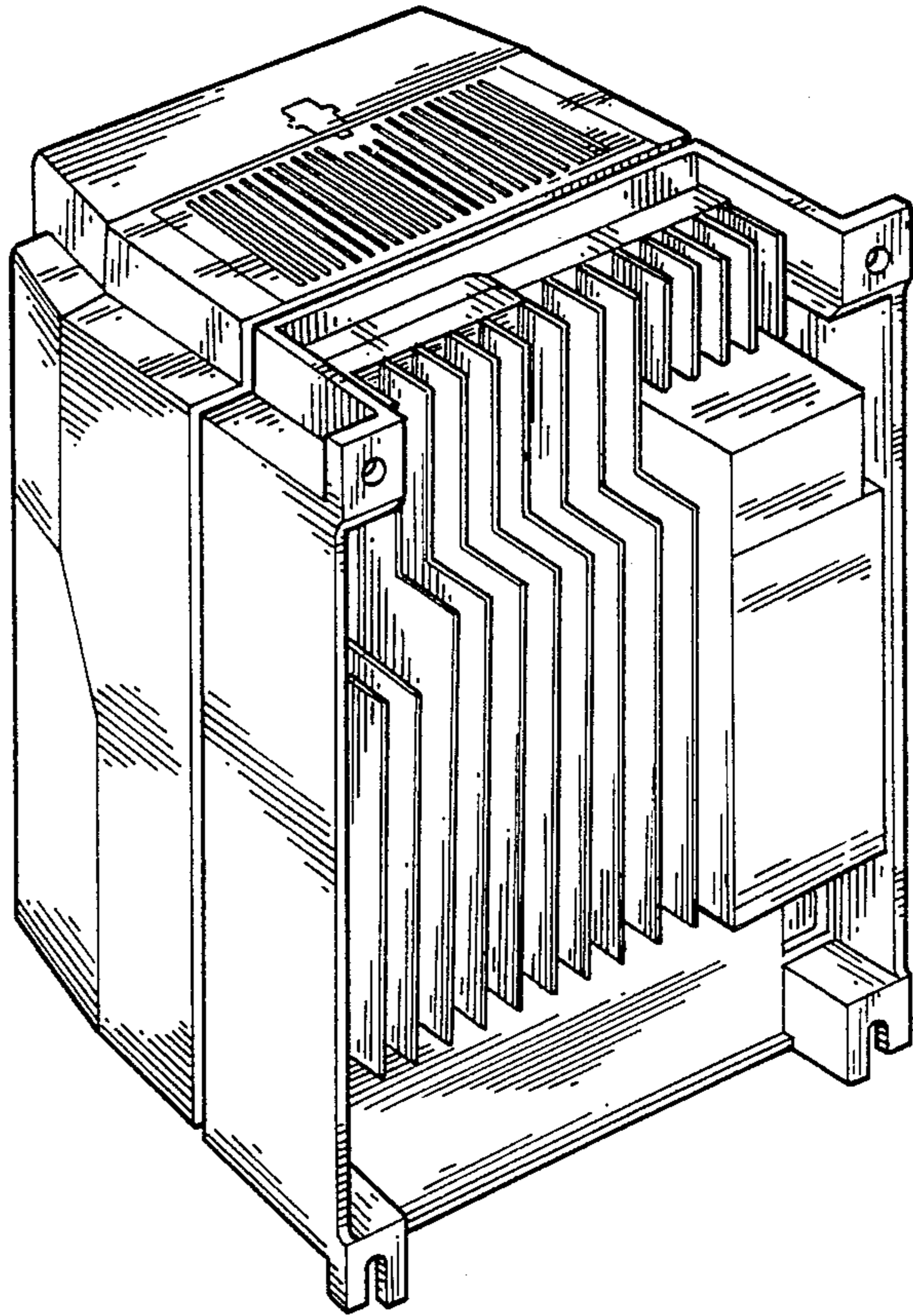


FIG. 7

UNITED STATES PATENT AND TRADEMARK OFFICE
CERTIFICATE OF CORRECTION

PATENT NO. : Des. 303,370
DATED : Sep. 12, 1989
INVENTOR(S) : Nobuyuki Kondo, et al

It is certified that error appears in the above-identified patent and that said Letters Patent is hereby corrected as shown below:

On the title page:

The third inventor's name is incorrectly recorded,
"hideaki Tata", should be:

--Hideaki Tada"

**Signed and Sealed this
Tenth Day of April, 1990**

Attest:

Attesting Officer

HARRY F. MANBECK, JR.

Commissioner of Patents and Trademarks