

[54] COMBINED PORTABLE COMPASS AND THERMOMETER

[76] Inventor: Toshikazu Yusa, Tokyo Compass Manufacturing Co., Ltd. 15-12 Higashi-Komagata 1 chrome, Sumida-ku, Tokyo 130, Japan

[**] Term: 14 Years

[21] Appl. No.: 859,258

[22] Filed: May 2, 1986

[52] U.S. Cl. D10/68; D10/57

[58] Field of Search D10/68, 57, 53, 60, D10/103; 33/272-273, 347, 355, 364; 374/141, 142, 208, 205-206

[56] References Cited

U.S. PATENT DOCUMENTS

- D. 150,298 7/1948 Johanson D10/68
- D. 242,437 11/1976 Kramer D10/68
- D. 273,847 5/1984 Yusa D10/68
- D. 290,093 6/1987 Kramer D10/68
- D. 297,515 9/1988 Yusa D10/68
- 1,201,332 10/1916 Myers .

- 1,479,008 1/1924 Powers .
- 1,952,307 3/1934 Boucher .
- 2,924,364 2/1960 Raguse 224/4
- 4,741,627 5/1988 Fukui 374/208

Primary Examiner—Nelson C. Holtje
Attorney, Agent, or Firm—Krass & Young

[57] CLAIM

The ornamental design for a combined portable compass and thermometer, as shown and described.

DESCRIPTION

FIG. 1 is a top left front perspective view of a combined portable compass and thermometer showing my new design;

FIG. 2 is a left side elevational view thereof, the right side view being a mirror image thereto;

FIG. 3 is a top and left front perspective view thereof with the case and but and belt clip in the open position;

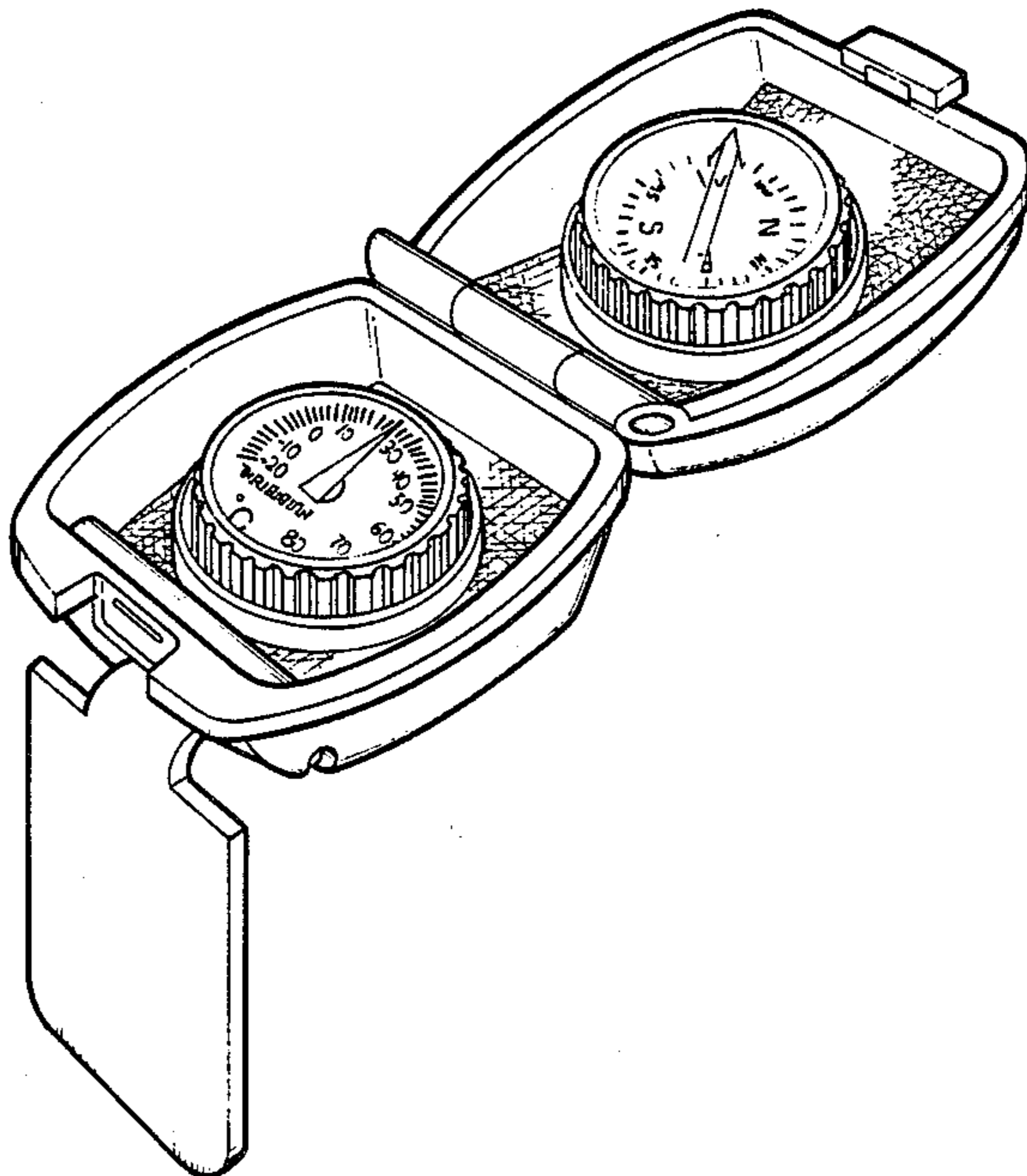
FIG. 4 is a top plan view of FIG. 3;

FIG. 5 is a front elevational view of FIG. 3;

FIG. 6 is a bottom plan view of FIG. 3;

FIG. 7 is a right side elevational view of FIG. 3;

FIG. 8 is a left side elevational view of FIG. 3.



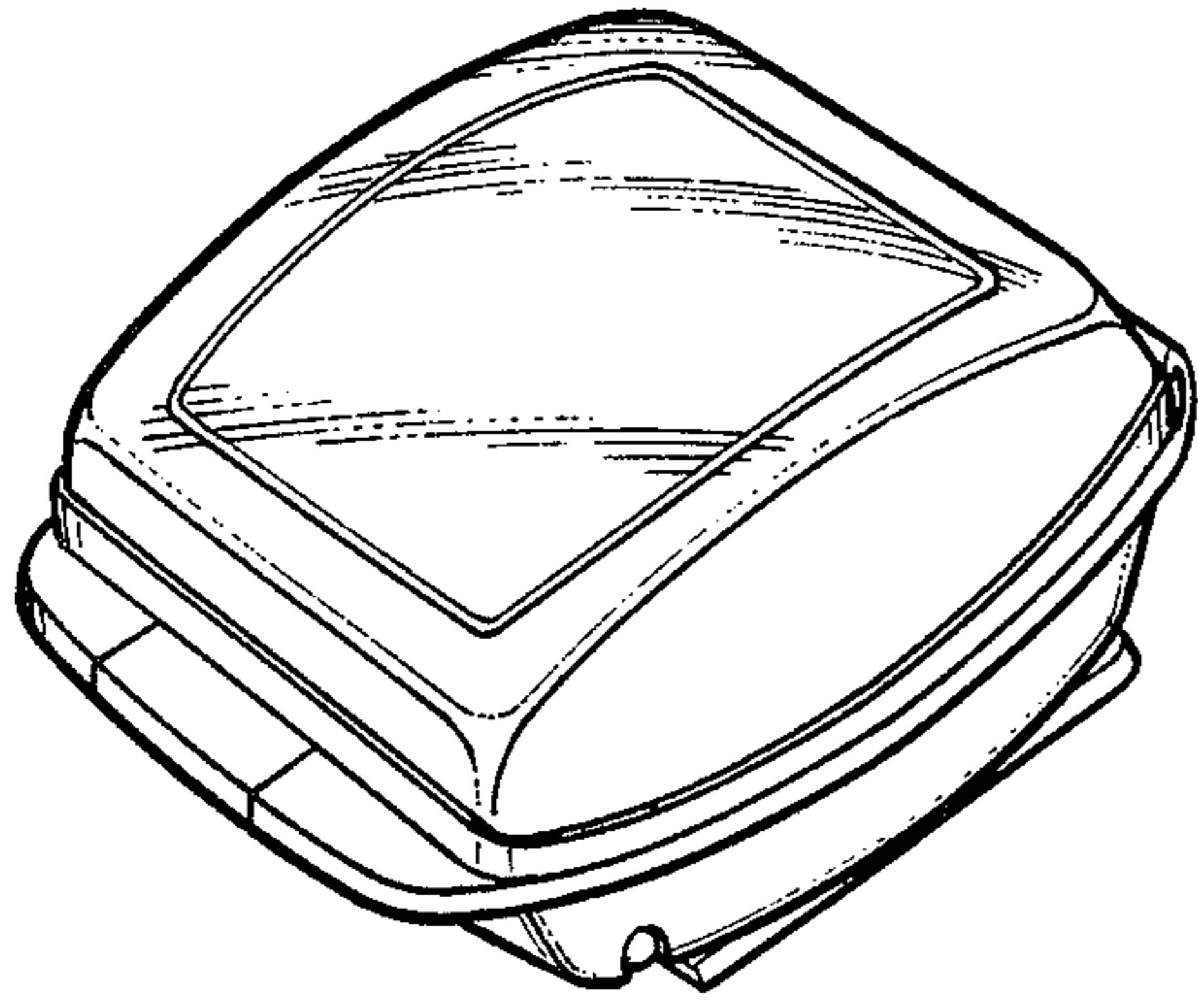


Fig-1

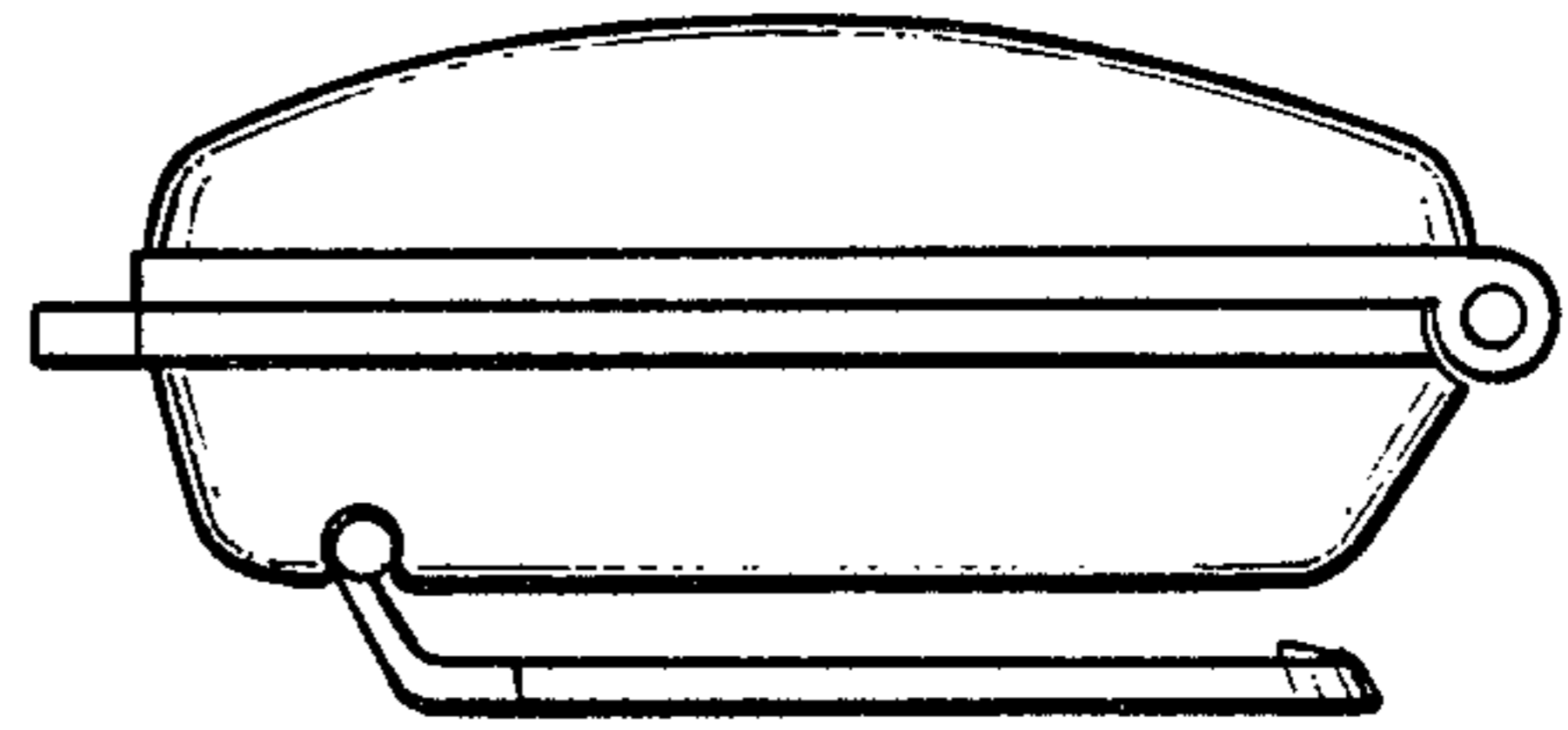


Fig-2

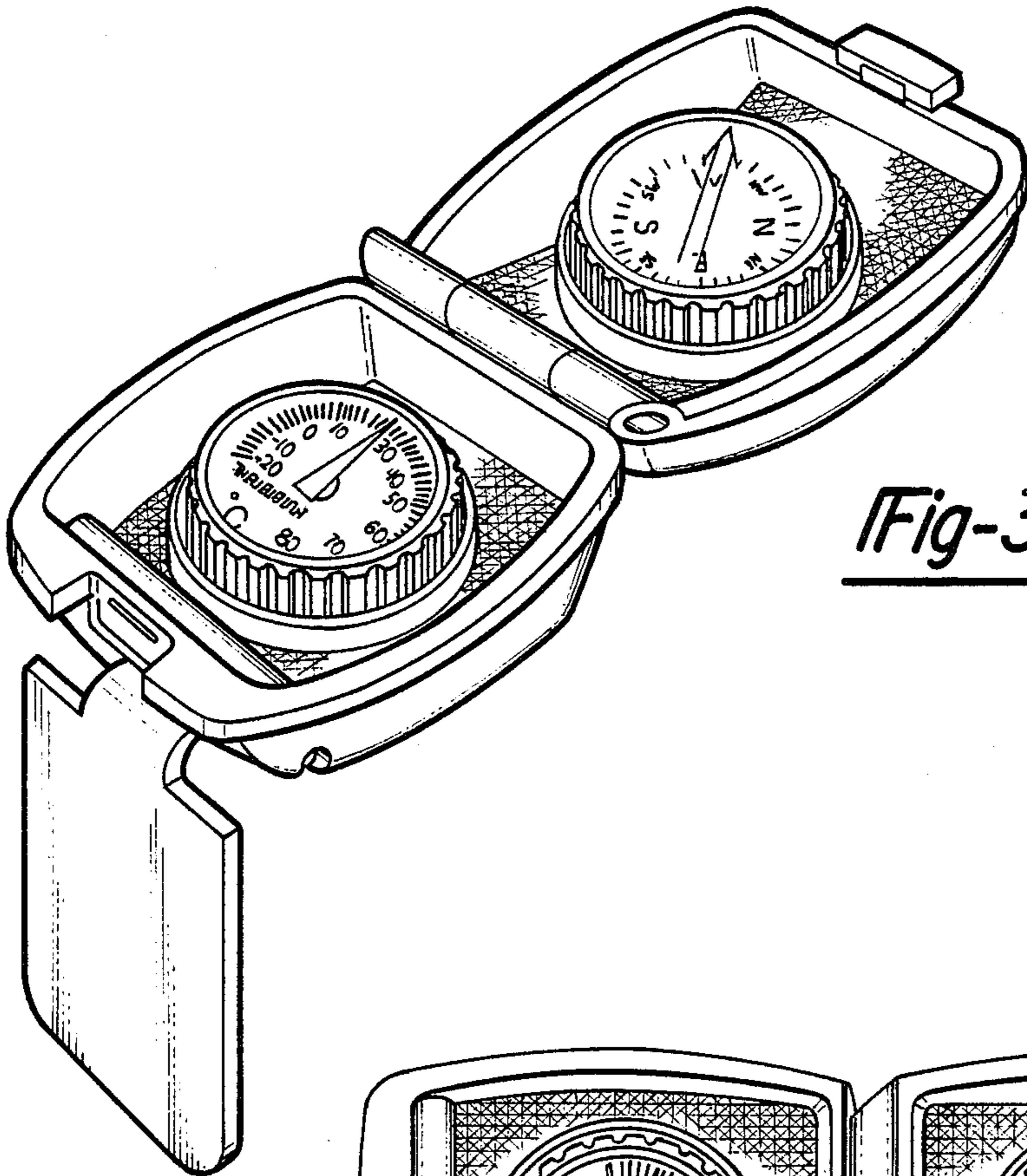


Fig-3

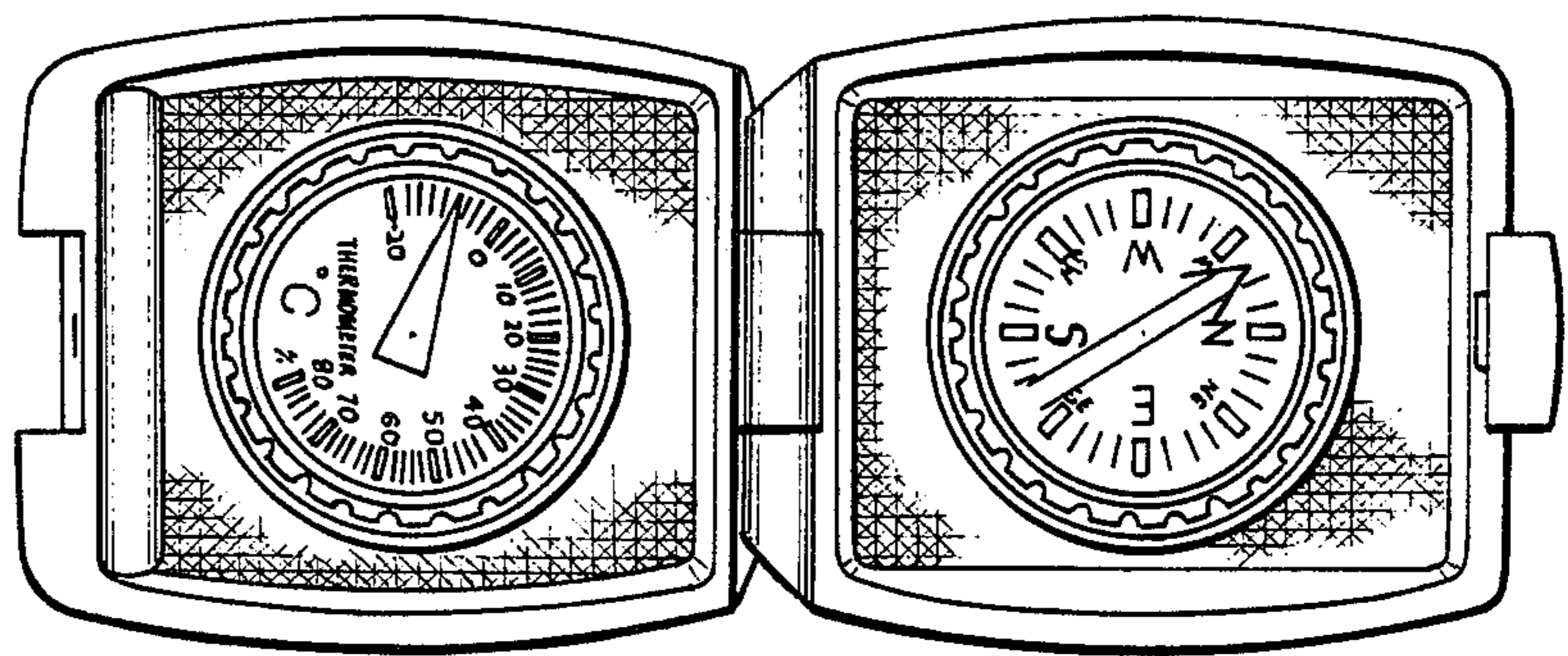


Fig-4

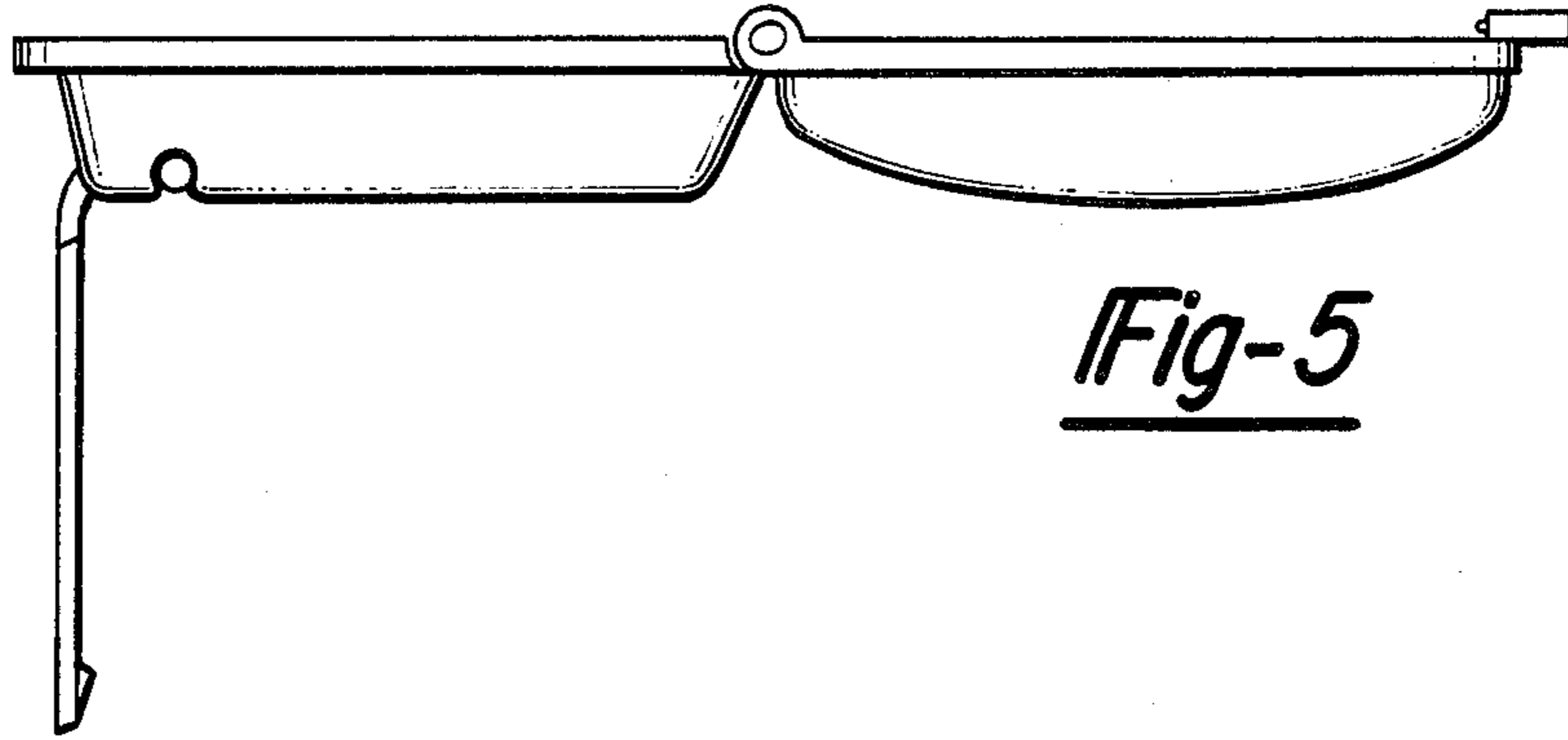


Fig-5

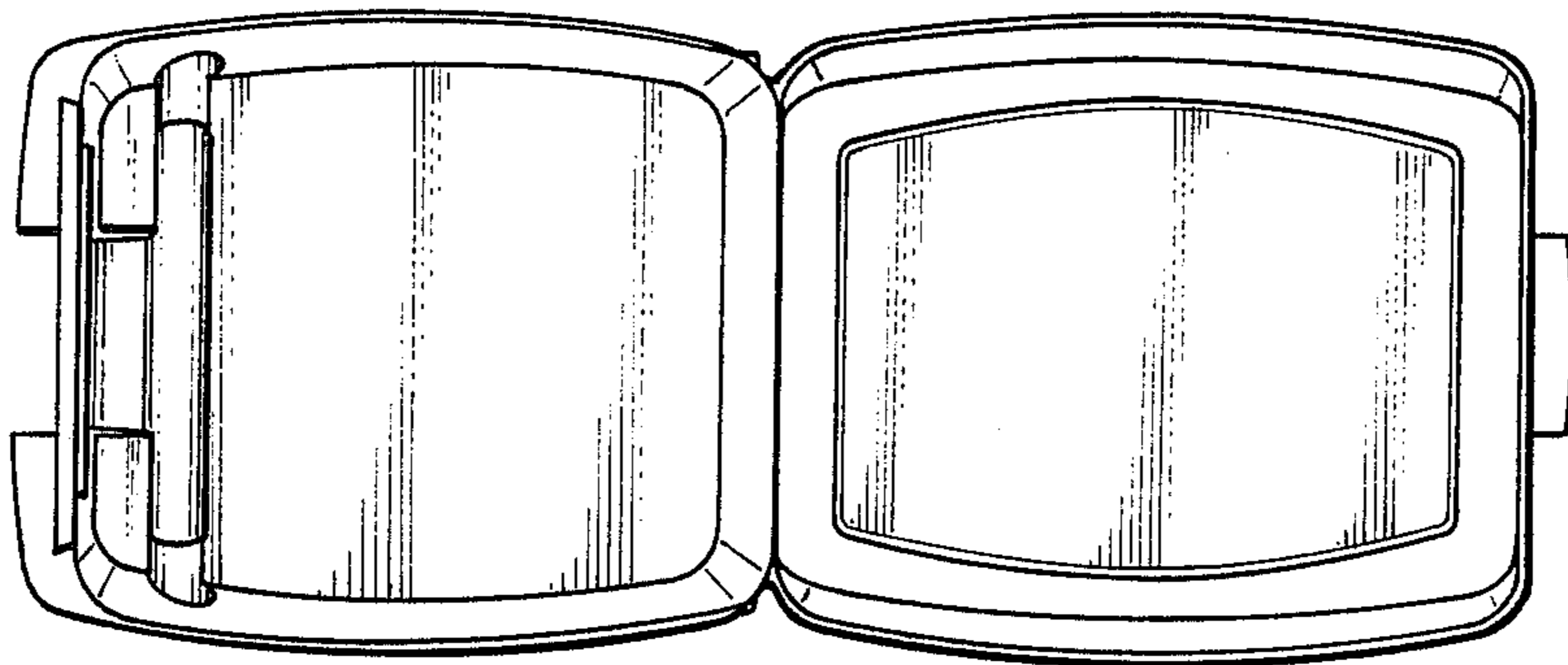


Fig-6

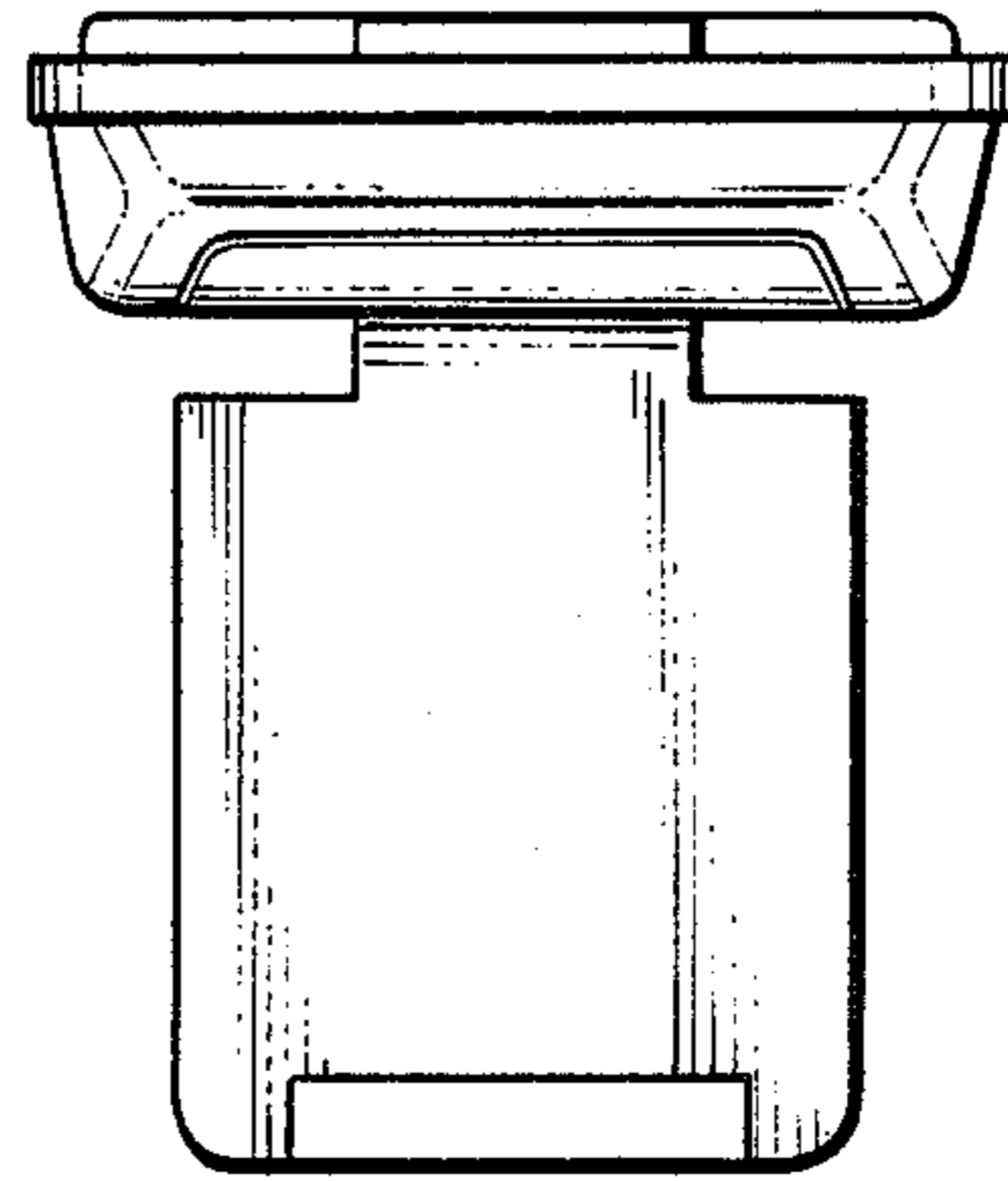


Fig-7

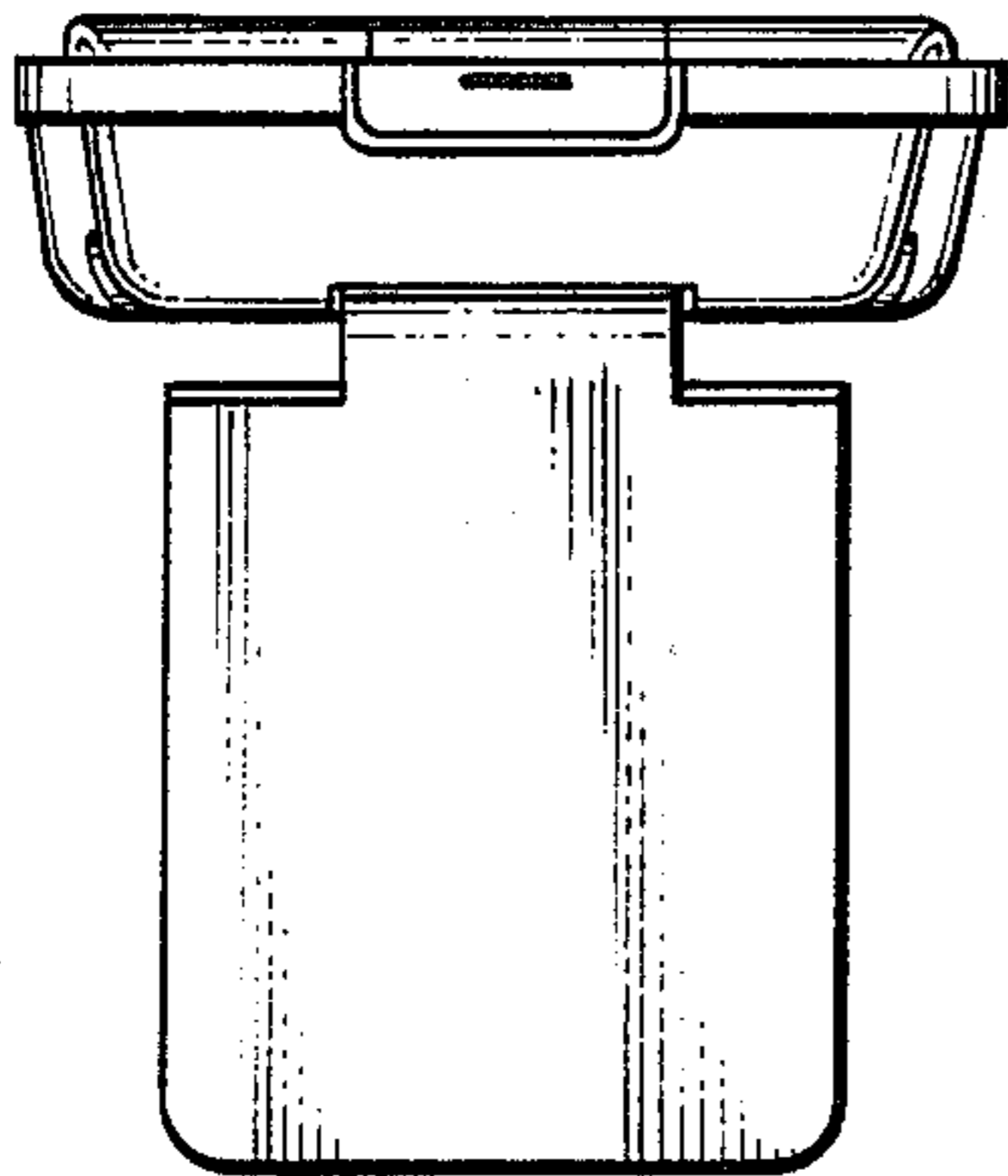


Fig-8