

[54] **BOTTLE**

[75] **Inventor: Orval L. Fick, Winfield, Kans.**

[73] **Assignee: Gott Corporation, Winfield, Kans.**

[\*\*] **Term: 14 Years**

[21] **Appl. No.: 898,079**

[22] **Filed: Aug. 20, 1986**

[52] **U.S. Cl. .... D9/376; D9/371**

[58] **Field of Search ..... D9/376, 367, 371, 373,  
D9/374, 375, 378, 403-413; 215/1 R, 1 C;  
220/1 C**

[56] **References Cited**

**U.S. PATENT DOCUMENTS**

D. 270,999	10/1983	Cook .....	D9/376
D. 272,318	1/1984	Visser .....	D9/376 X
D. 279,078	6/1985	Franchi et al. ....	D9/376
4,488,584	12/1984	Hestehave et al. ....	220/1 C
4,632,268	12/1986	Melzi et al. ....	220/1 C

**FOREIGN PATENT DOCUMENTS**

2398671 3/1979 France ..... 215/1 C

**OTHER PUBLICATIONS**

Hardware Age, Jan. 1984, p. 82, top photo of middle column, Driveaway Bottle in center.

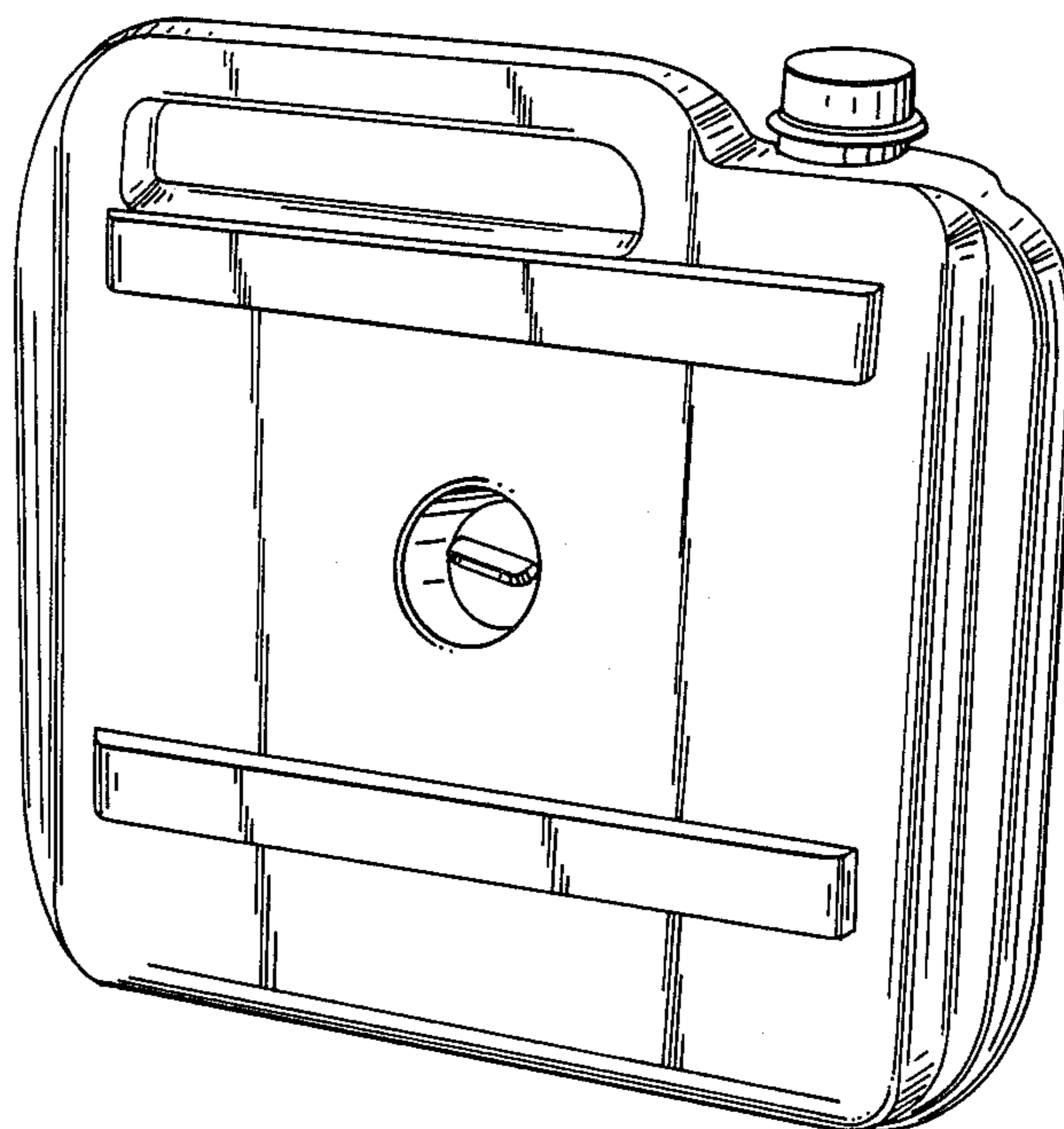
*Primary Examiner*—Melvin B. Feifer  
*Assistant Examiner*—Lucy Lieberman  
*Attorney, Agent, or Firm*—Richard B. O'Planick

[57] **CLAIM**

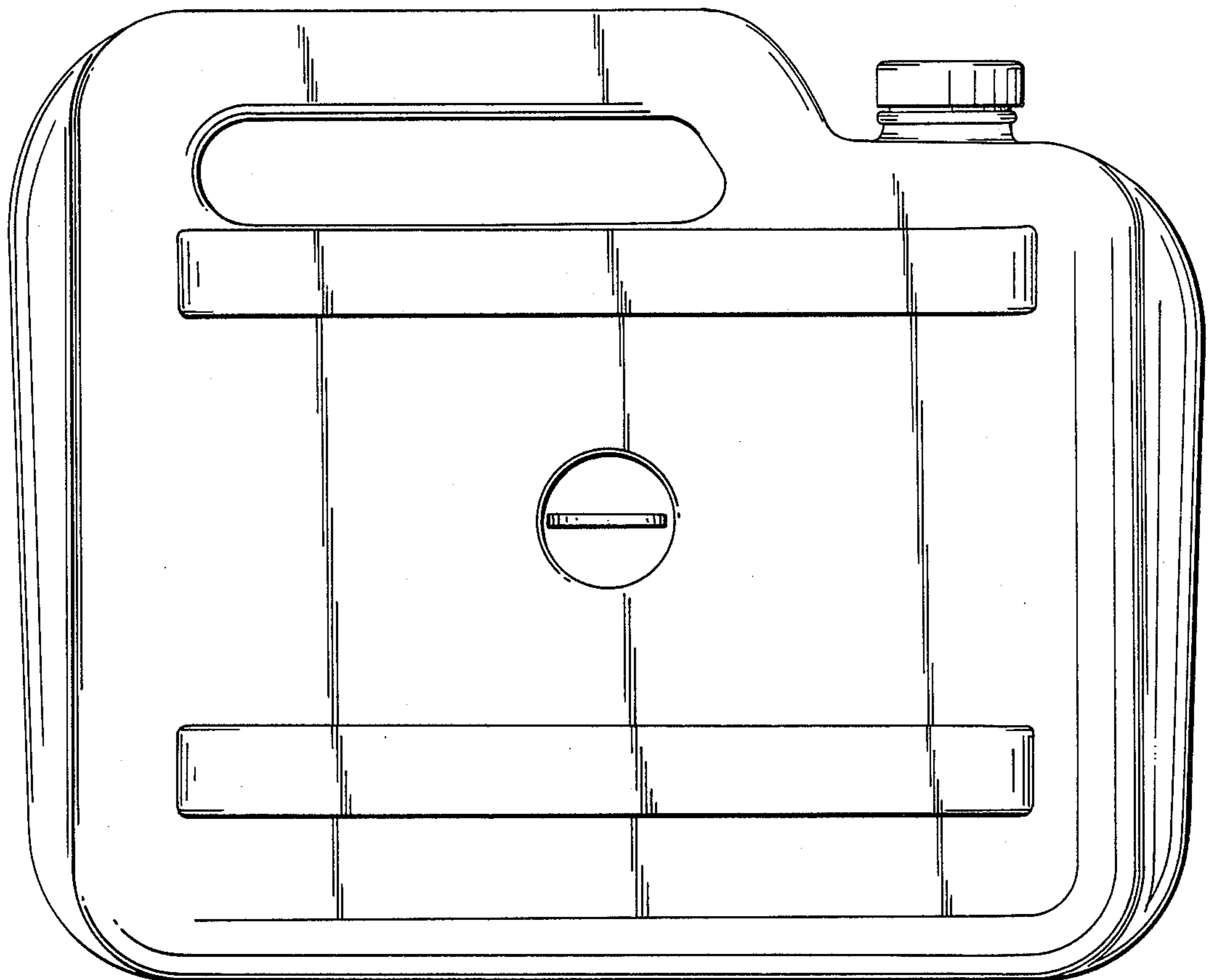
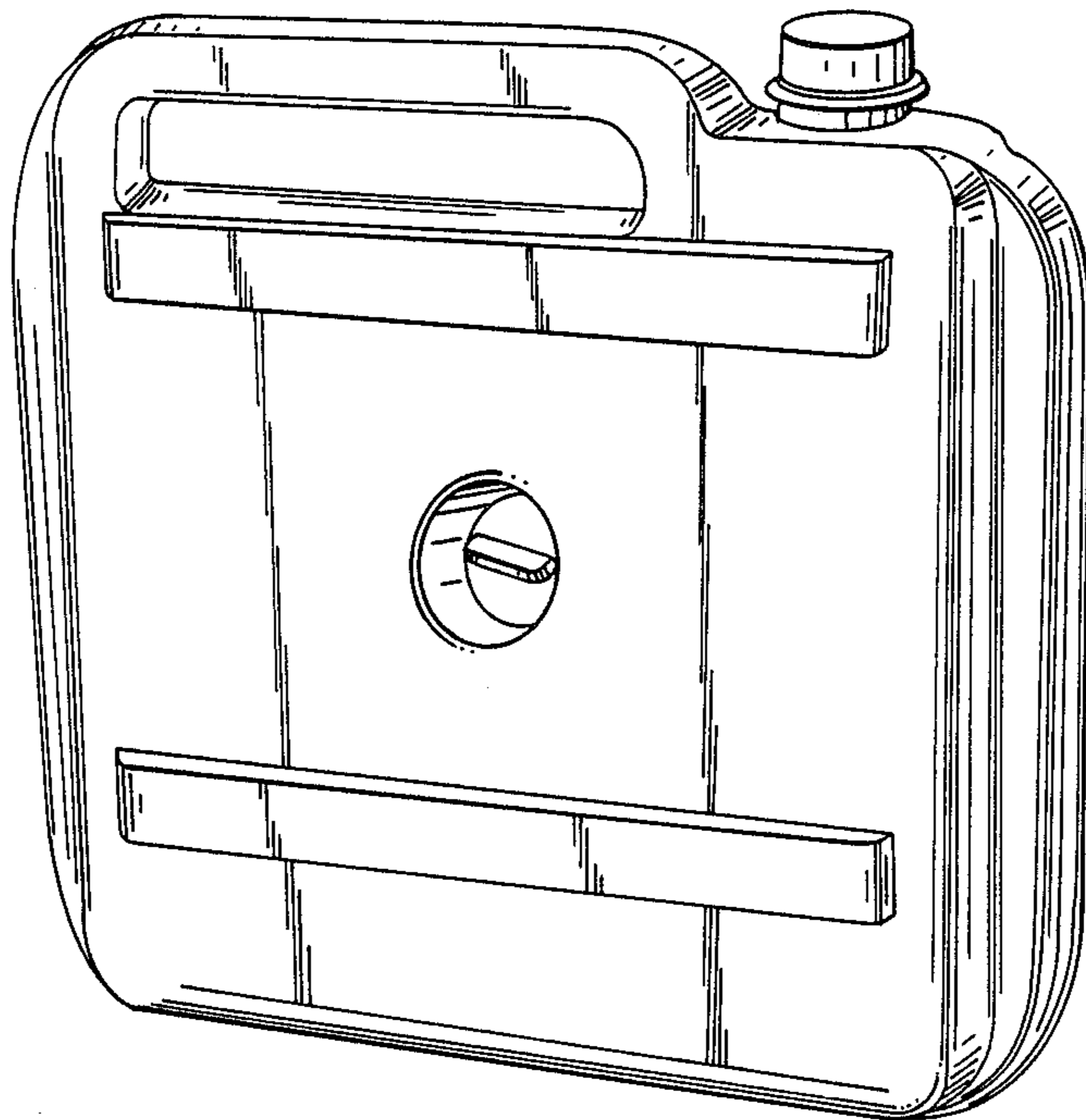
The ornamental design for a bottle, as shown and described.

**DESCRIPTION**

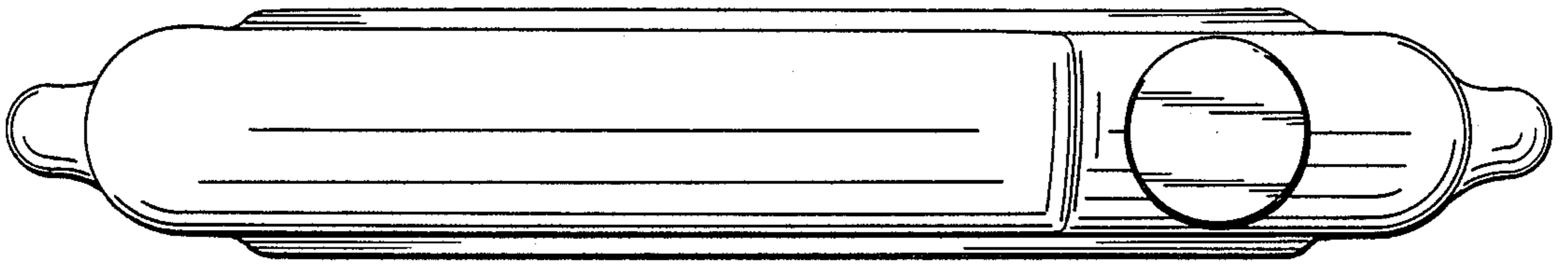
FIG. 1 is a perspective view of a bottle embodying my new design;  
FIG. 2 is a right side elevational view thereof;  
FIG. 3 is a top plan view thereof;  
FIG. 4 is a left side elevation view thereof;  
FIG. 5 is a front elevation view thereof;  
FIG. 6 is a rear elevation view thereof; and  
FIG. 7 is a bottom plan view thereof.



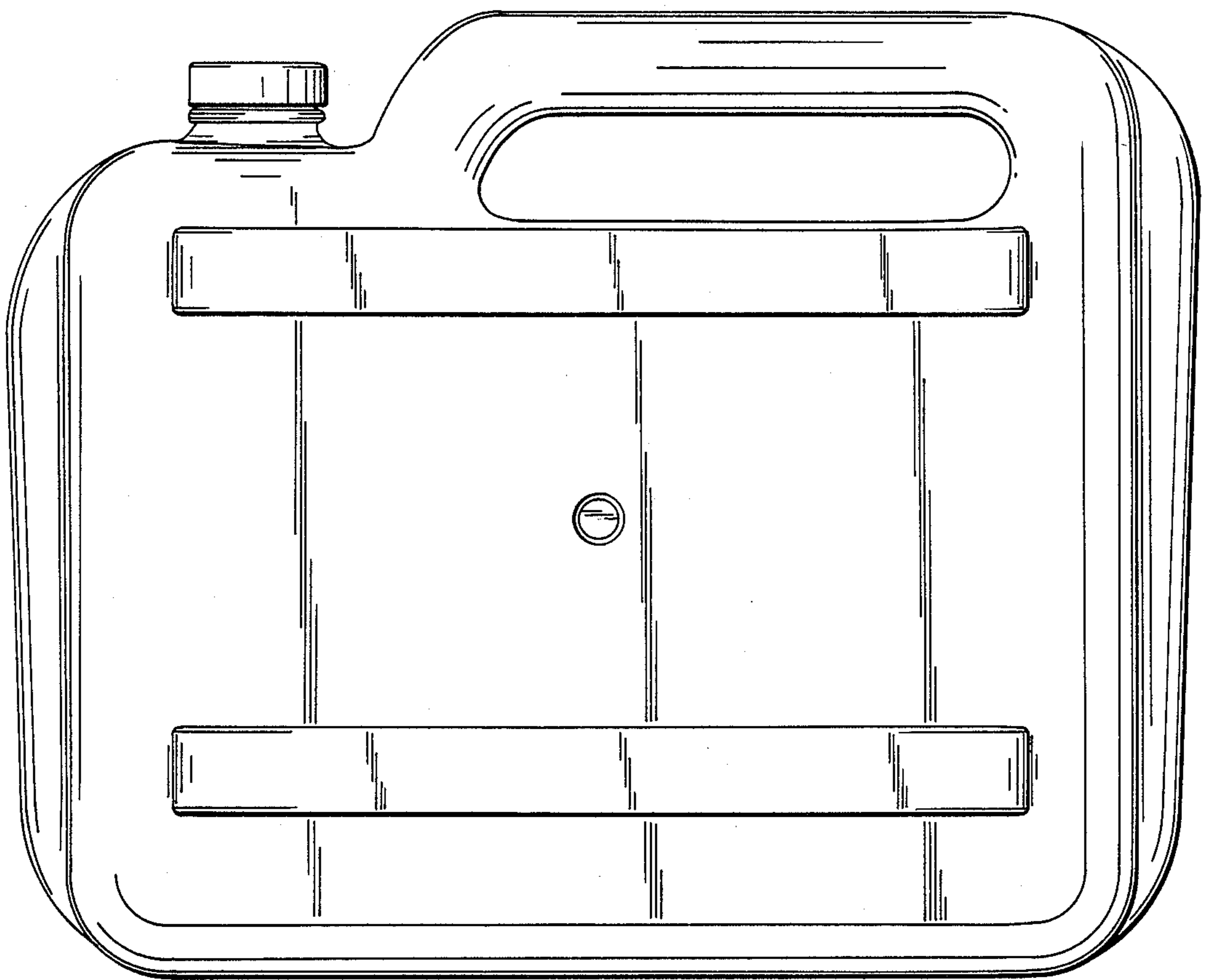
*Fig. 1*



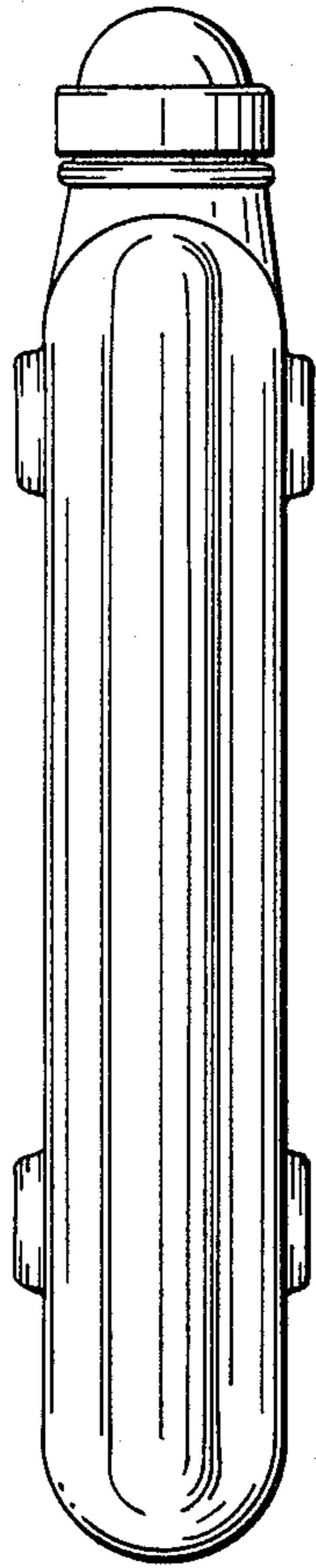
*Fig. 2*



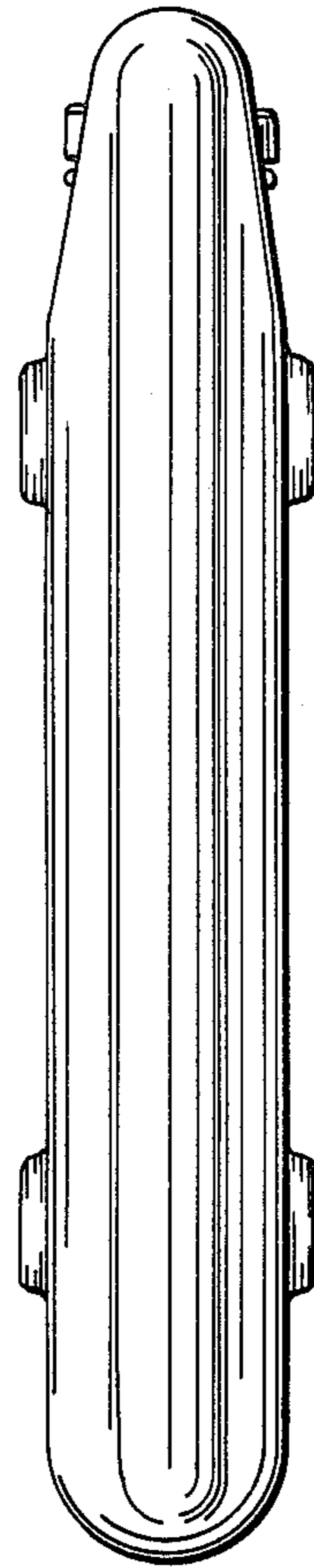
*Fig. 3*



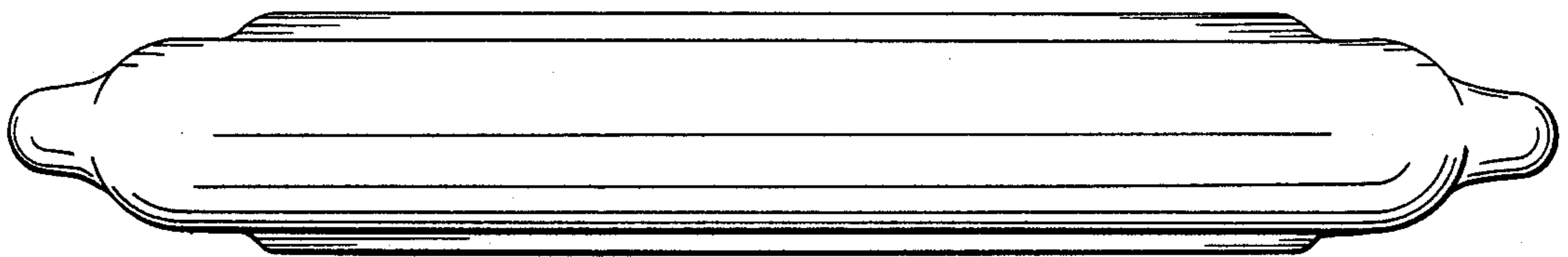
*Fig. 4*



*Fig. 5*



*Fig. 6*



*Fig. 7*