

[54] HANGER FOR TABLE SKIRTING

[75] Inventor: Brent M. Enison, Tappan, N.Y.

[73] Assignee: Prestige Skirting and Tablecloths, Inc., Orangeburg, N.Y.

[**] Term: 14 Years

[21] Appl. No.: 827,534

[22] Filed: Feb. 10, 1986

[52] U.S. Cl. D8/373; 211/64; D8/380; D6/610

[58] Field of Search D8/373, 380, 367; D6/320, 319, 323, 328, 610, 612, 618, 315; 211/89, 113, 47, 172; 160/194, 350; 248/205.2

[56] References Cited

U.S. PATENT DOCUMENTS

D. 242,414	11/1976	Salladay	D6/315
1,922,989	8/1933	Terry	D6/323 X
2,045,849	6/1936	Genter	D6/612
3,168,970	2/1965	Wilson	D6/328
3,368,601	2/1968	Gautert-Menz	D6/617 UX
3,441,183	4/1969	Chatkis	D6/319
3,469,679	9/1969	Kamins et al.	D6/315
3,630,475	12/1971	Berry	248/215
3,934,631	1/1976	Wilson	D6/319

3,958,696	5/1976	Leonas	211/113 X
3,984,002	10/1976	Howard	211/113 X
4,282,911	8/1981	Lumitomo	D6/319
4,296,876	10/1981	Lefebvre	D6/315 X
4,387,873	6/1983	Paulo et al.	211/113
4,601,417	7/1986	Kunreuthen	D6/315 X
4,698,117	10/1987	Enison	211/172 X

Primary Examiner—Horace B. Fay, Jr.
Attorney, Agent, or Firm—Lilling & Greenspan

[57] CLAIM

The ornamental design for a hanger for table skirting, as shown and described.

DESCRIPTION

FIG. 1 is a top, front and right side perspective view of a hanger for table skirting showing my new design; FIG. 2 is a top, front and right side perspective view of a second embodiment thereof, with the view of the rear and side opposite being a mirror image, and with the bottom of this embodiment of the hanger being substantially flat, unadorned and of minimal thickness; FIG. 3 is a front elevational view thereof; FIG. 4 is a right side elevational view thereof; FIG. 5 is a top plan view thereof; FIG. 6 is a left side elevational view thereof; FIG. 7 is a rear elevational view thereof; and, FIG. 8 is a bottom plan view thereof.

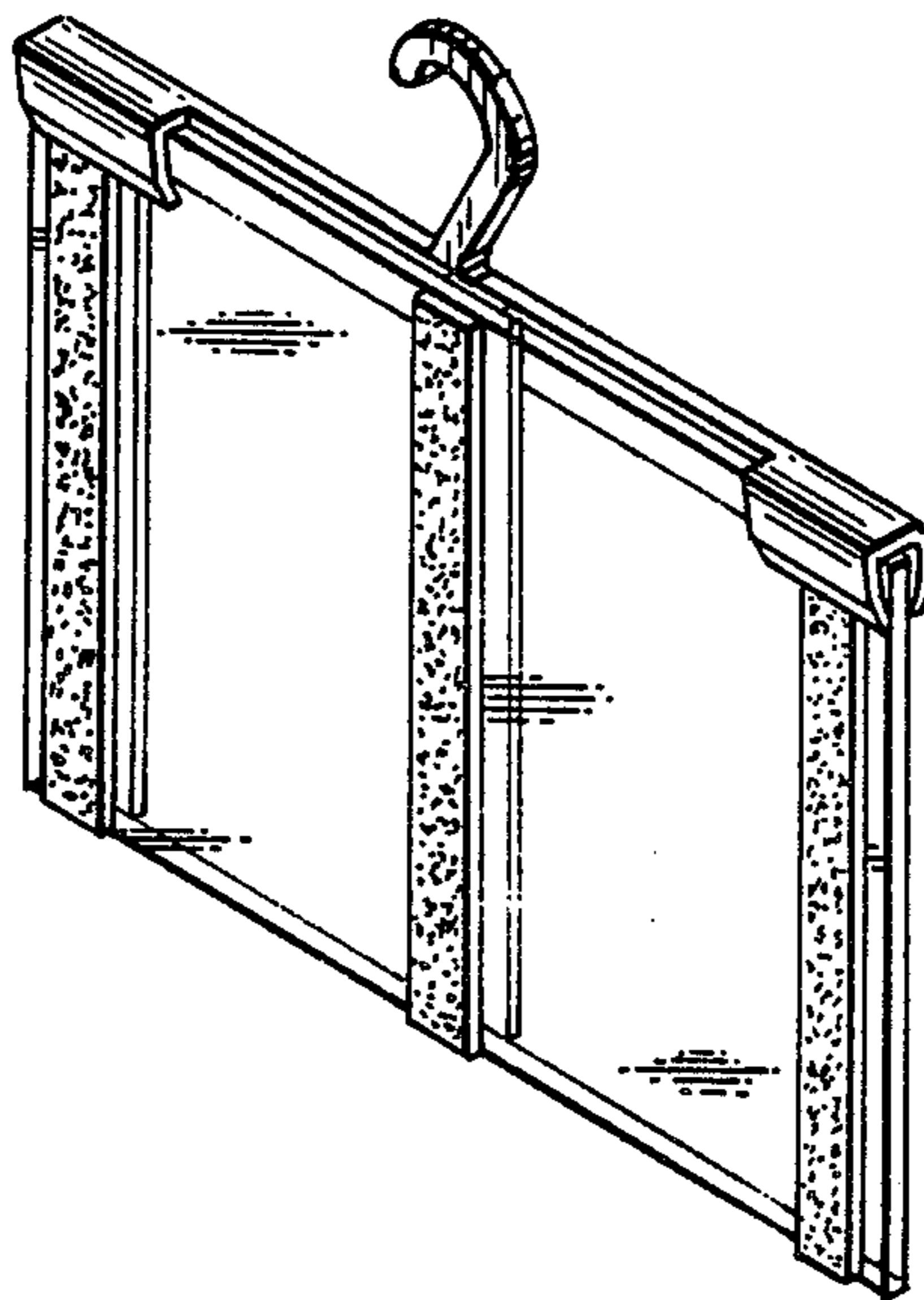


FIG. 1

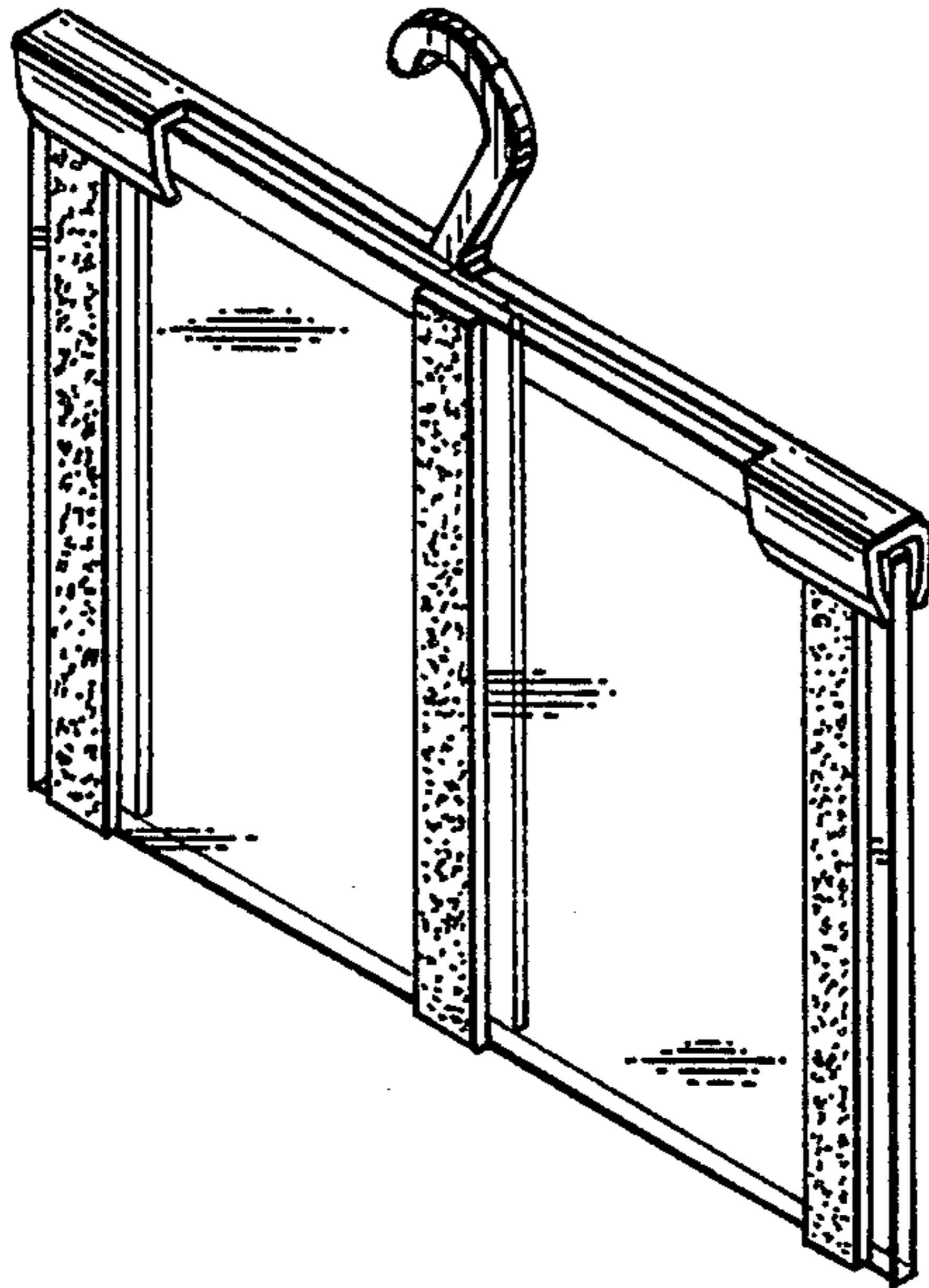


FIG. 2

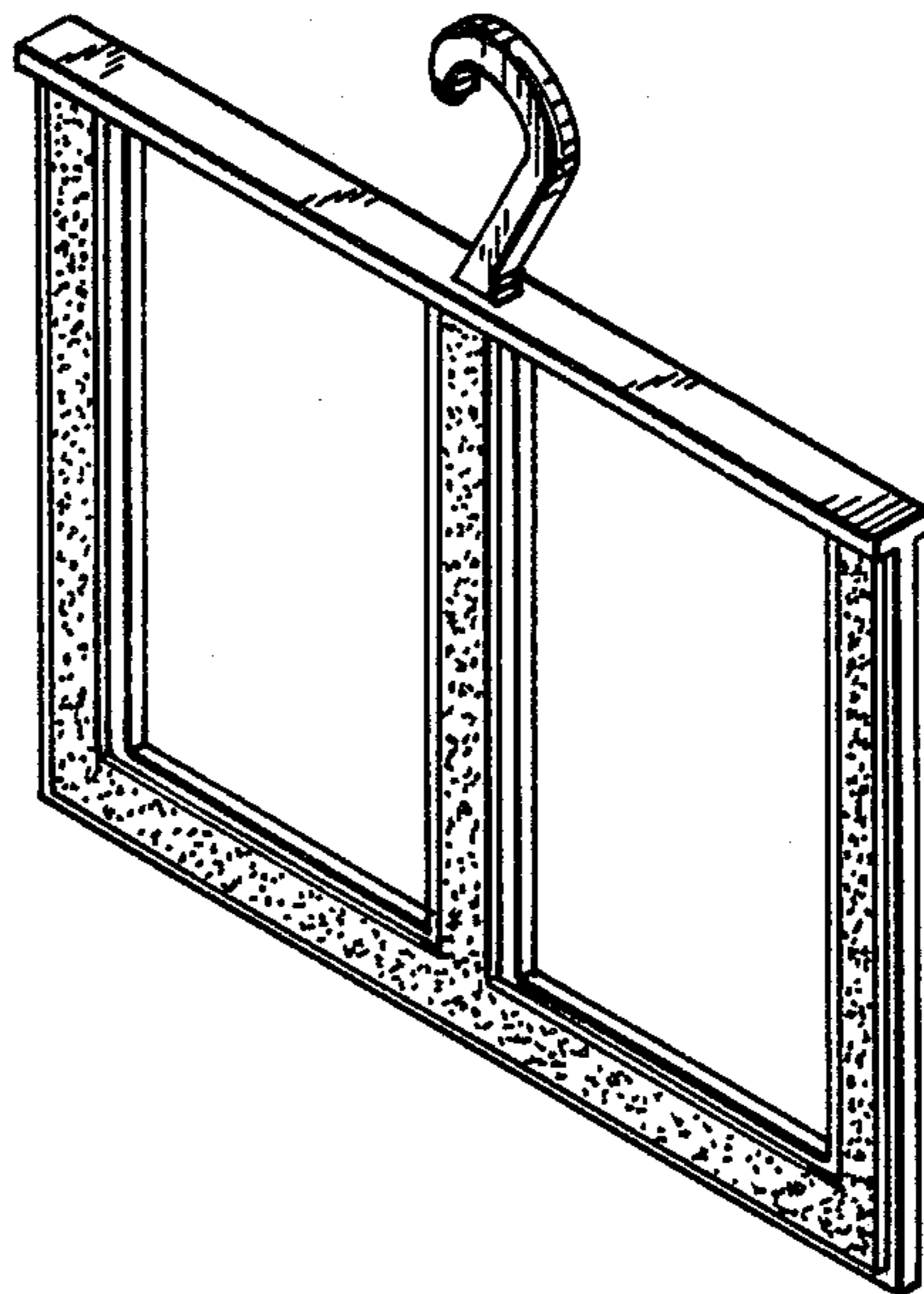


FIG.3

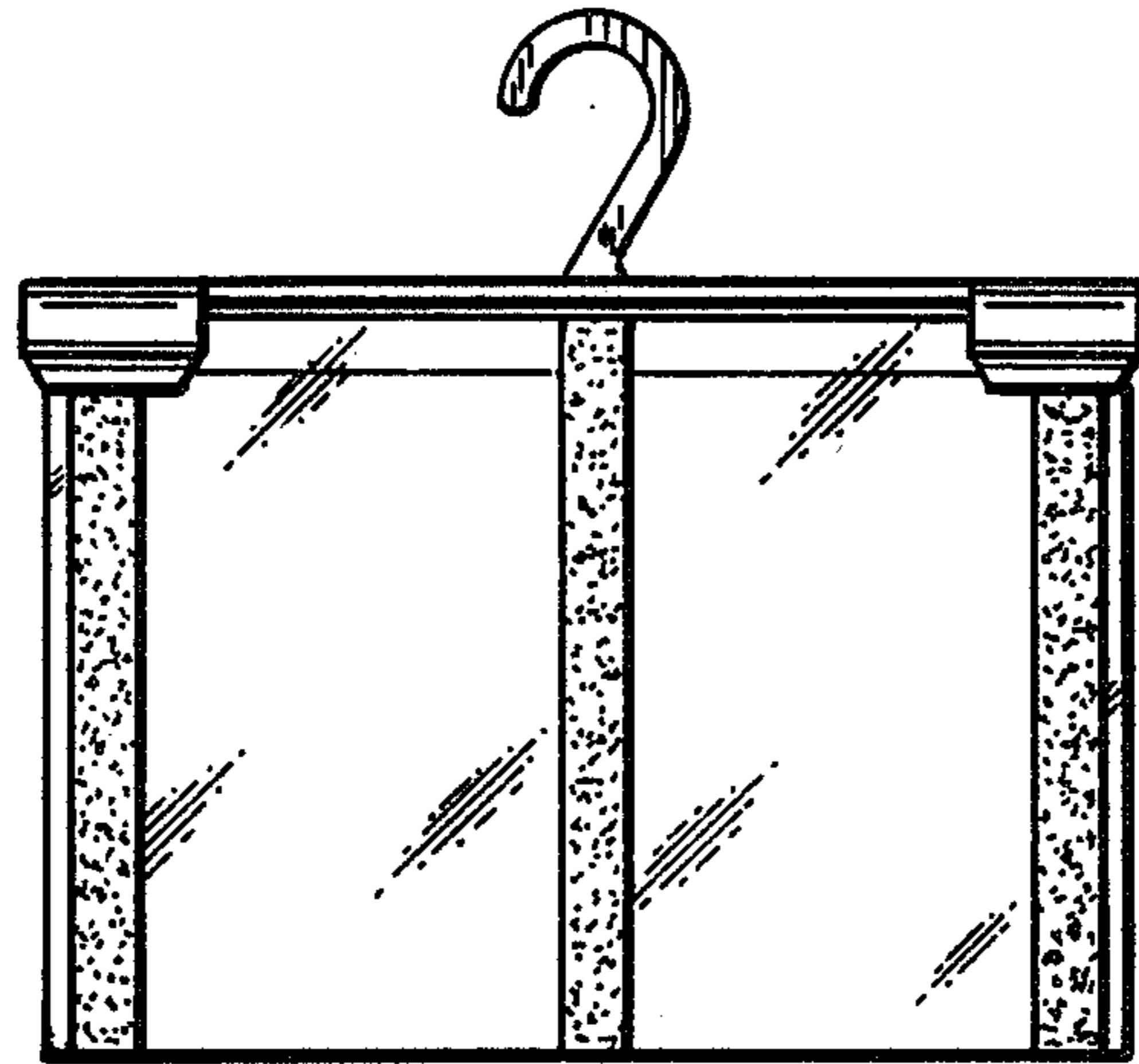


FIG.4



FIG.5

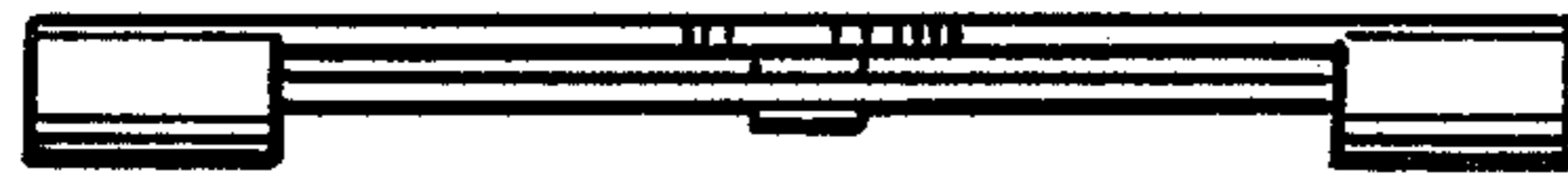


FIG.6



FIG.7

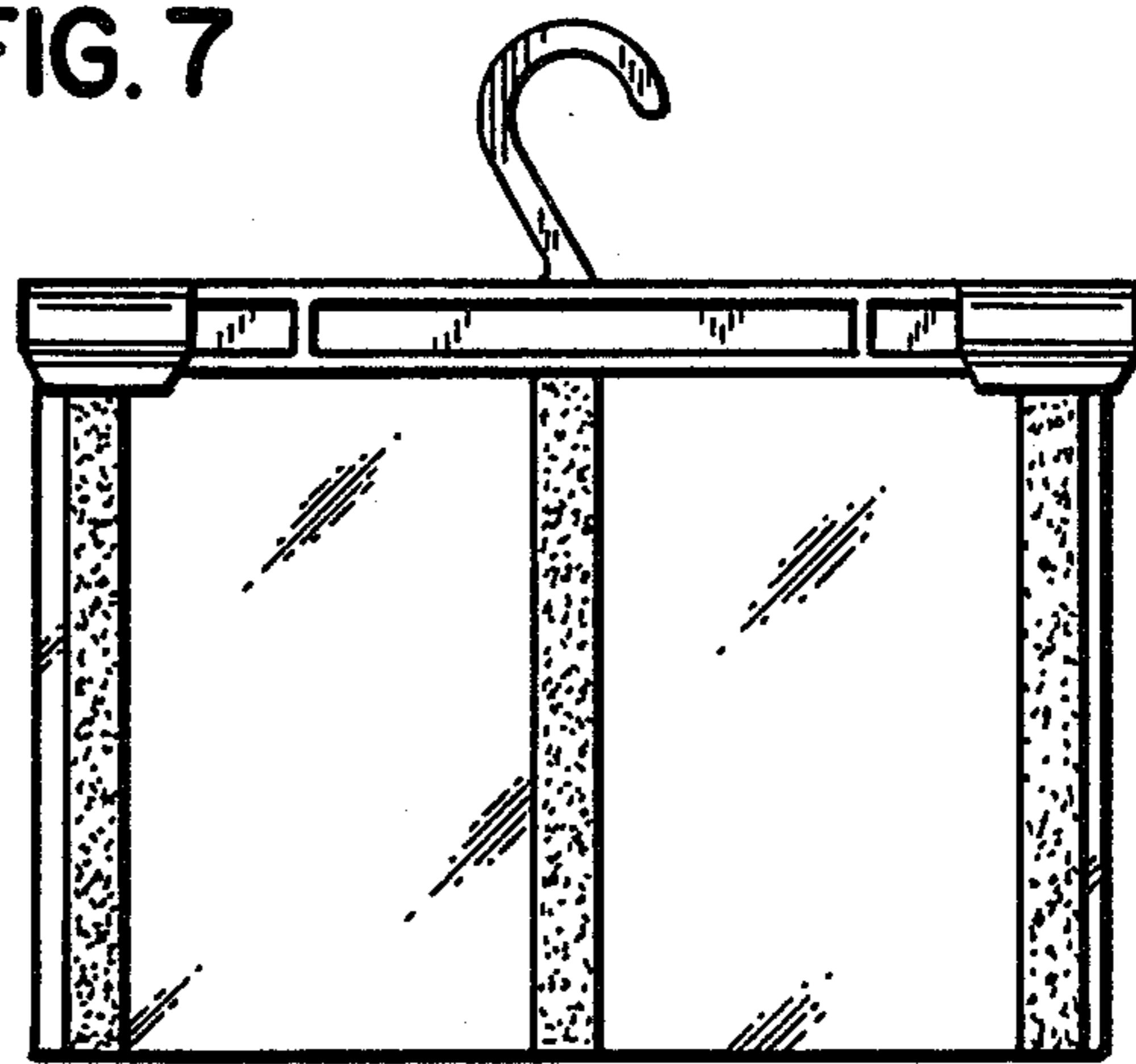


FIG.8

