

# United States Patent [19]

Glahn

[11] Patent Number: **Des. 303,352**

[45] Date of Patent: **\*\* Sep. 12, 1989**

[54] **KICKING STRAP FOR SAILBOATS**

[75] Inventor: **Henrik Glahn, Copenhagen, Denmark**

[73] Assignee: **Sophus Berendsen Marine A/S, Copenhagen, Denmark**

[\*\*] Term: **14 Years**

[21] Appl. No.: **946,286**

[22] Filed: **Dec. 23, 1986**

[52] U.S. Cl. .... **D8/360; D12/317**

[58] Field of Search ..... **D12/300, 303, 304, 317; 114/99, 102; D8/360**

[56] **References Cited**

**U.S. PATENT DOCUMENTS**

D. 252,069 6/1979 Nava et al. .... D8/360  
3,396,689 8/1968 Sommer ..... 114/102

3,464,379 9/1969 Lawson ..... 114/102  
4,406,240 9/1983 Andersen ..... 114/99  
4,606,292 8/1986 du Temple de  
Rougemont ..... 114/102

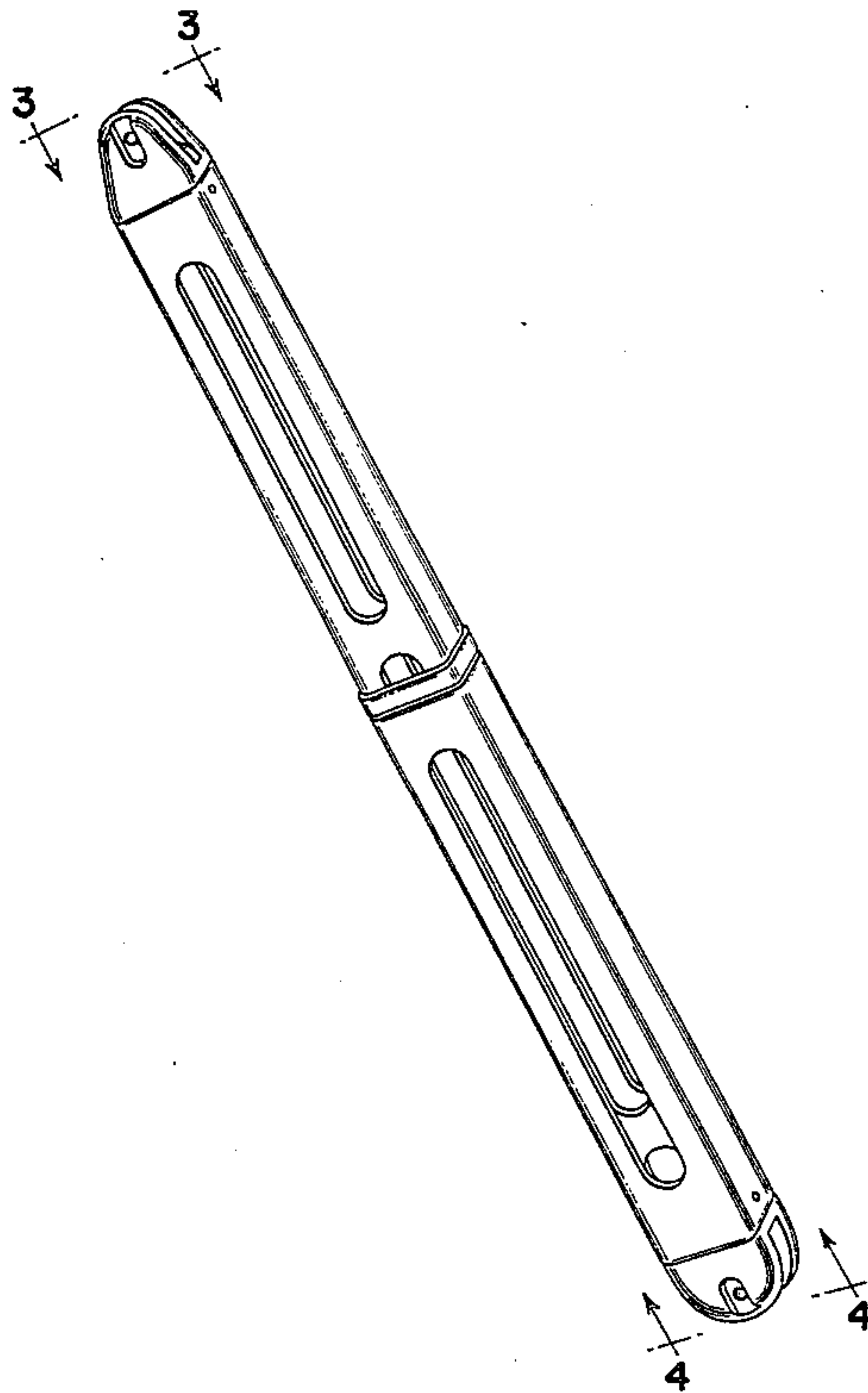
*Primary Examiner*—Wallace R. Burke  
*Assistant Examiner*—Kay H. Chin  
*Attorney, Agent, or Firm*—Merchant, Gould, Smith,  
Edell, Welter & Schmidt

[57] **CLAIM**

The ornamental design for a kicking strap for sailboats, as shown and described.

**DESCRIPTION**

FIG. 1 is a top perspective view of a kicking strap for sailboats showing my new design;  
FIG. 2 is a bottom perspective view thereof;  
FIG. 3 is an enlarged left end elevational view thereof;  
and  
FIG. 4 is an enlarged right end elevational view thereof.



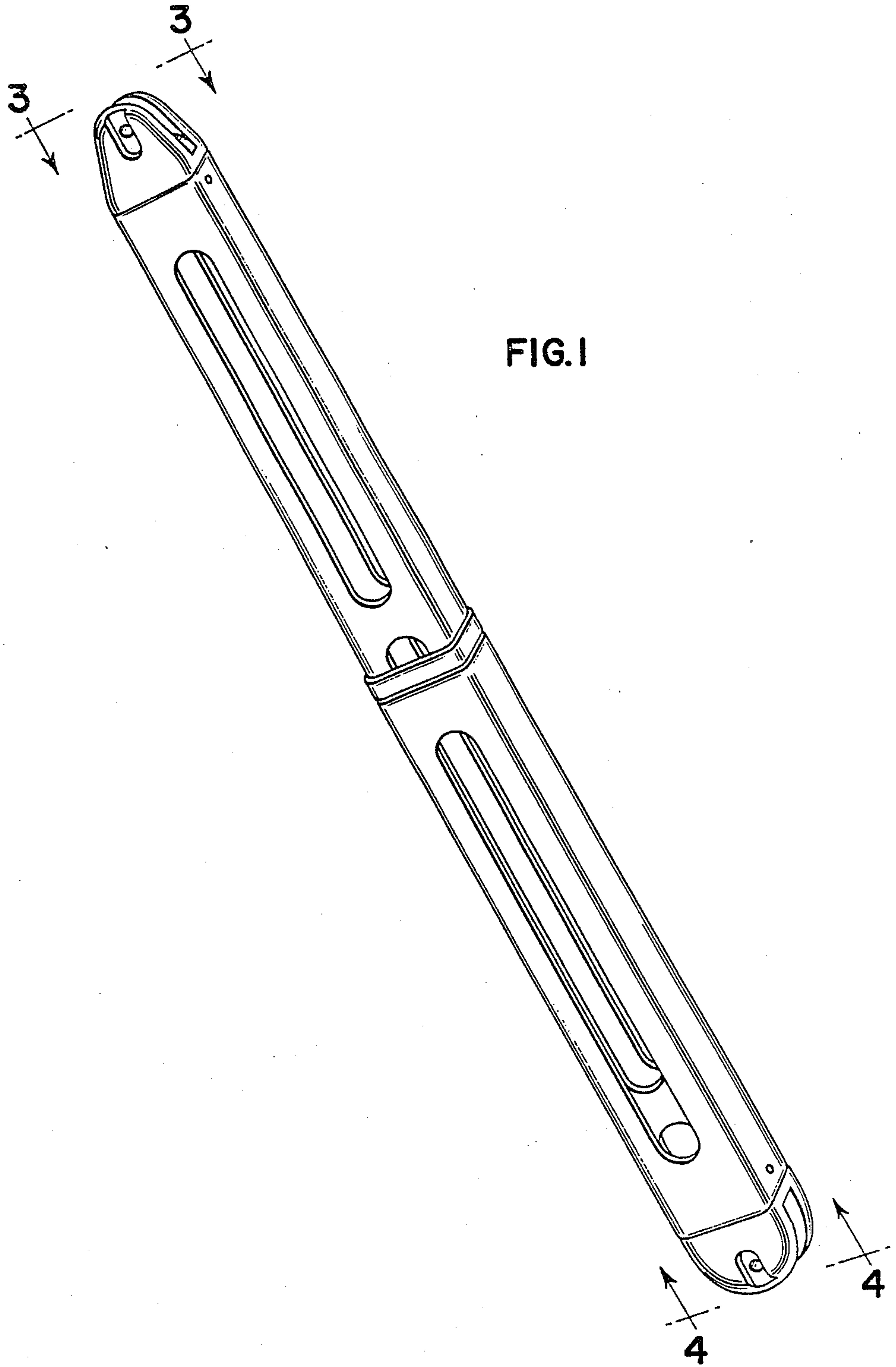
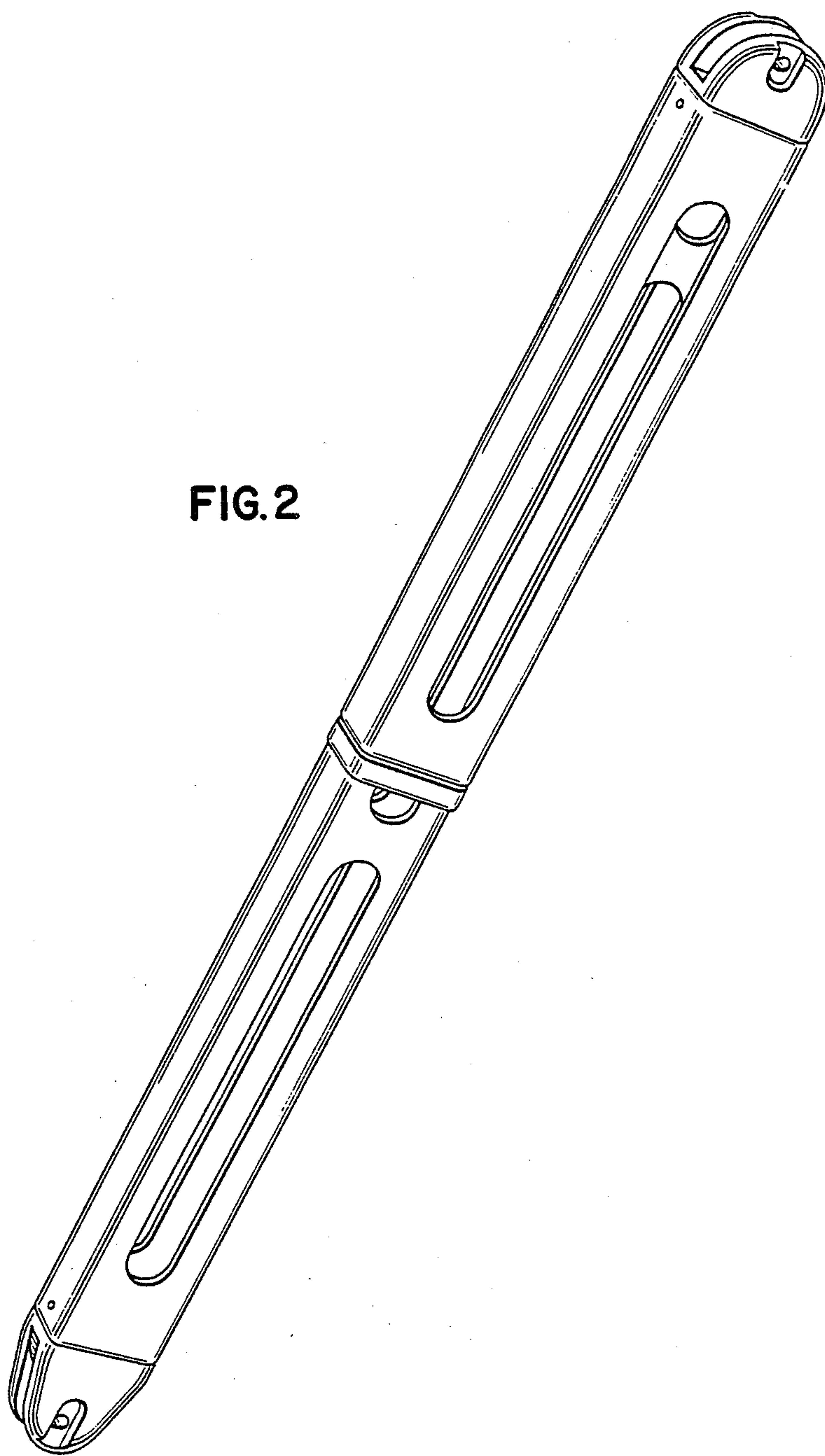


FIG. 2



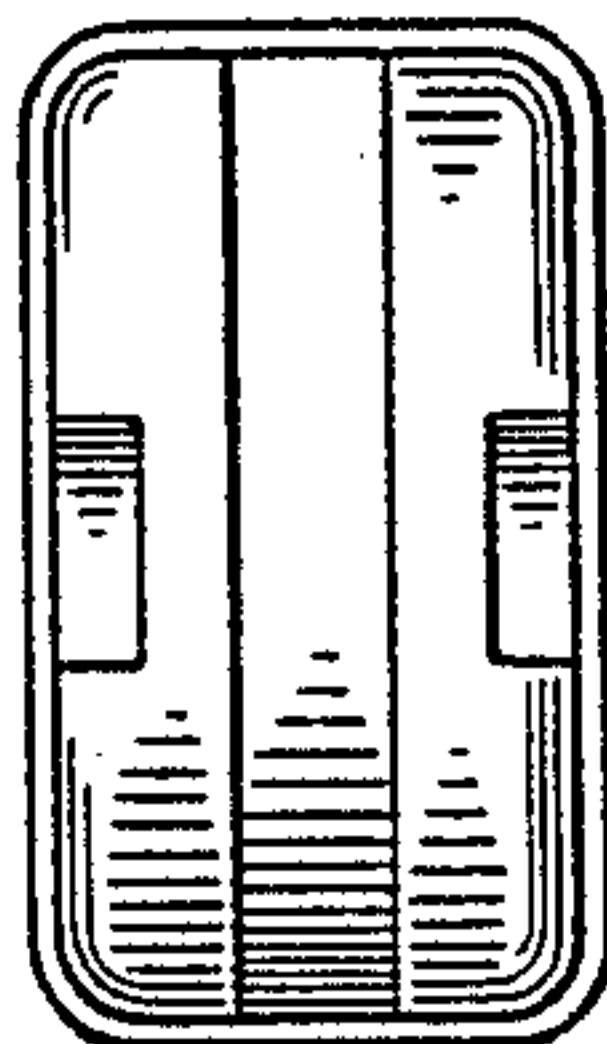


FIG. 3

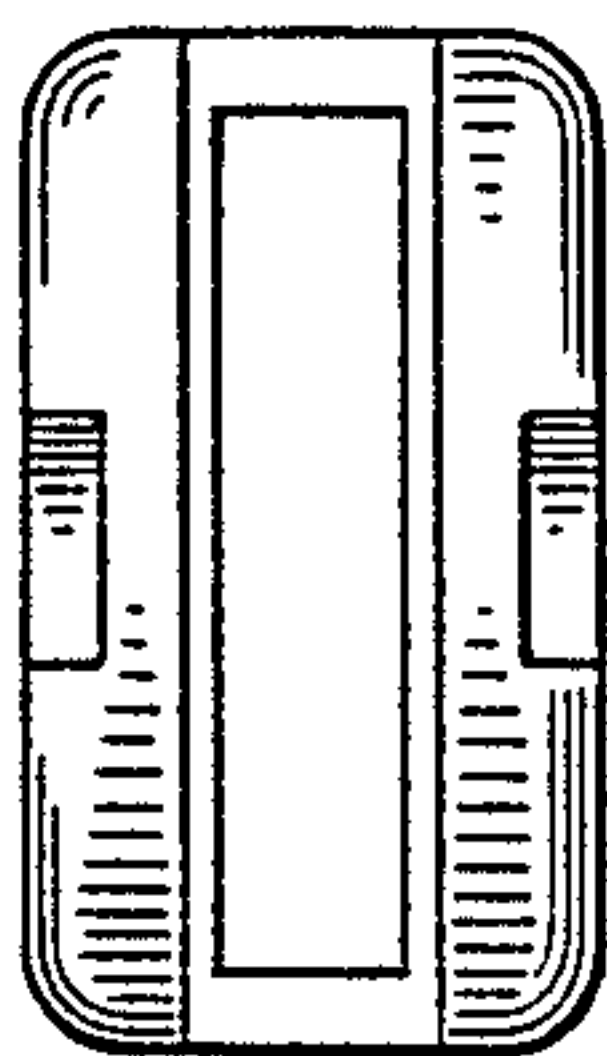


FIG. 4