

[54] MOUNTING BRACKETS FOR LATCHES AND LOCKS

[75] Inventors: Richard H. Russell, Farmington; Thomas V. McLinden, Oxford, both of Conn.

[73] Assignee: The Eastern Company, Cleveland, Ohio

[\*\*] Term: 14 Years

[21] Appl. No.: 72,278

[22] Filed: Jul. 10, 1987

[52] U.S. Cl. .... D8/343

[58] Field of Search ..... D8/343-344, D8/354, 366, 373; 70/416-417, 431, 450-451, 466; 292/253; 248/200, 231.9, 300, 309.1

[56] References Cited

U.S. PATENT DOCUMENTS

|            |         |                   |          |
|------------|---------|-------------------|----------|
| D. 230,009 | 1/1974  | Royster, Sr. .... | D8/344   |
| D. 256,663 | 9/1980  | Gilb .....        | D8/366 X |
| D. 257,663 | 12/1980 | McKee .....       | D8/366 X |
| D. 285,647 | 9/1986  | Sachs .....       | D8/354 X |
| 2,357,552  | 9/1944  | Schlage .....     | 70/450 X |
| 4,548,062  | 10/1985 | Kaufman .....     | 70/417   |
| 4,706,478  | 11/1987 | Swan et al. ....  | 70/208   |

OTHER PUBLICATIONS

Southco Inc., *Southco Fasteners Handbook* 37, Concordville, PA 19331, date unknown.

Eberhard Manufacturing Co., *Handbook of Latches, Locks, Hinges, Handles, and Related Hardware* No. 103, Cleveland, OH 44136, 1985.

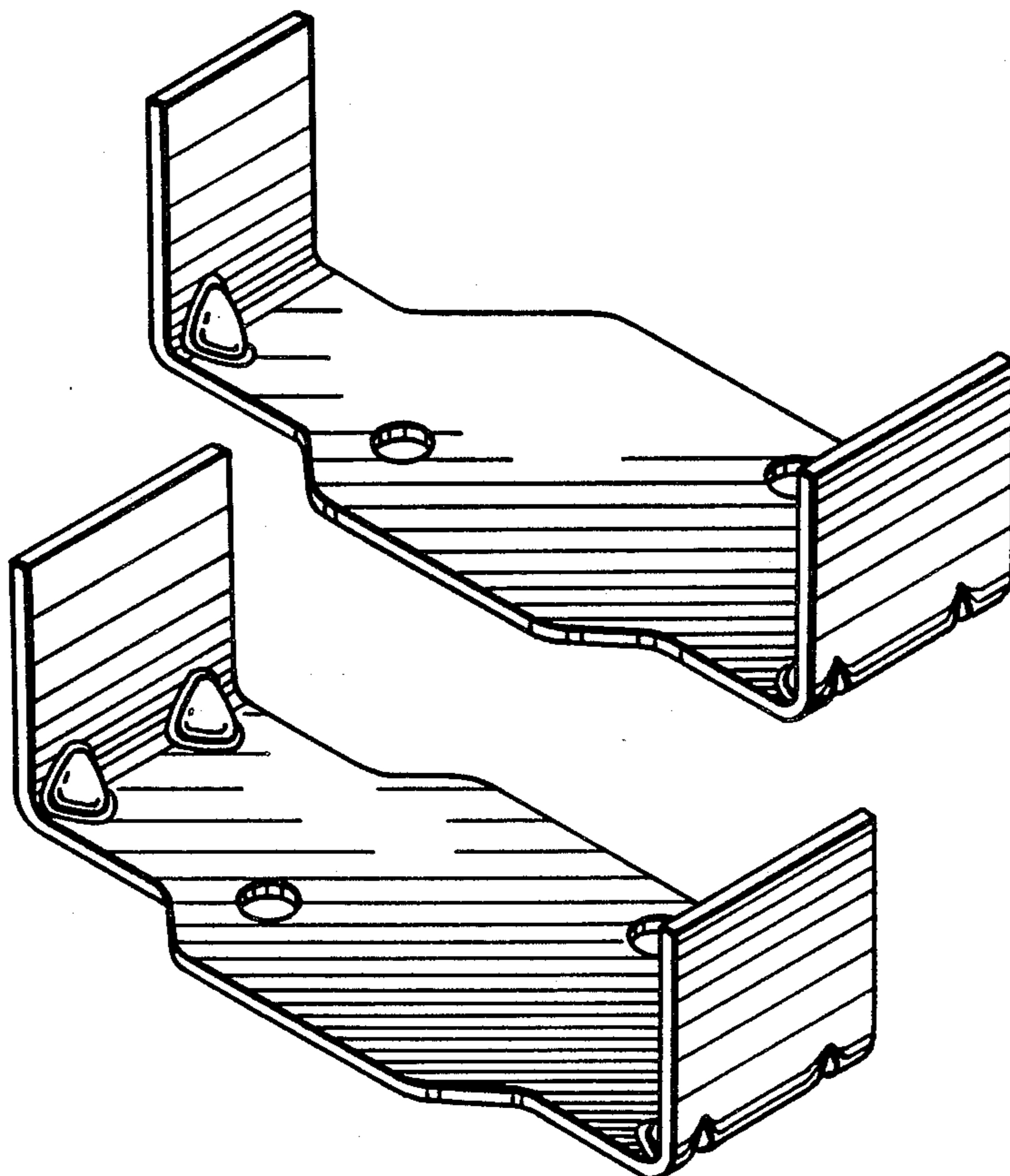
Primary Examiner—Wallace R. Burke  
Assistant Examiner—Brian N. Vinson  
Attorney, Agent, or Firm—David A. Burge

[57] CLAIM

The ornamental design for mounting brackets for latches and locks, as shown and described.

DESCRIPTION

FIG. 1 is a perspective view of a mounting bracket for latches and locks showing our new design; FIG. 2 is a front elevational view thereof; FIG. 3 is a rear elevational view thereof; FIG. 4 is a left side elevational view thereof; FIG. 5 is a right side elevational view thereof; FIG. 6 is a bottom plan view thereof; FIG. 7 is a top plan view thereof; FIG. 8 is a perspective view of an alternative embodiment thereof; FIG. 9 is a front elevational view of the embodiment of FIG. 8; FIG. 10 is a rear elevational view of the embodiment of FIG. 8; FIG. 11 is a bottom plan view of the embodiment of FIG. 8; FIG. 12 is a top plan view of the embodiment of FIG. 8; FIG. 13 is a left side elevational view of the embodiment of FIG. 8; FIG. 14 is a right side elevational view of the embodiment of FIG. 8; and, FIG. 15 is a perspective view of the embodiment of FIG. 8, the broken-line showing of the latch housing being for illustrative purposes only and forming no part of the claimed design.



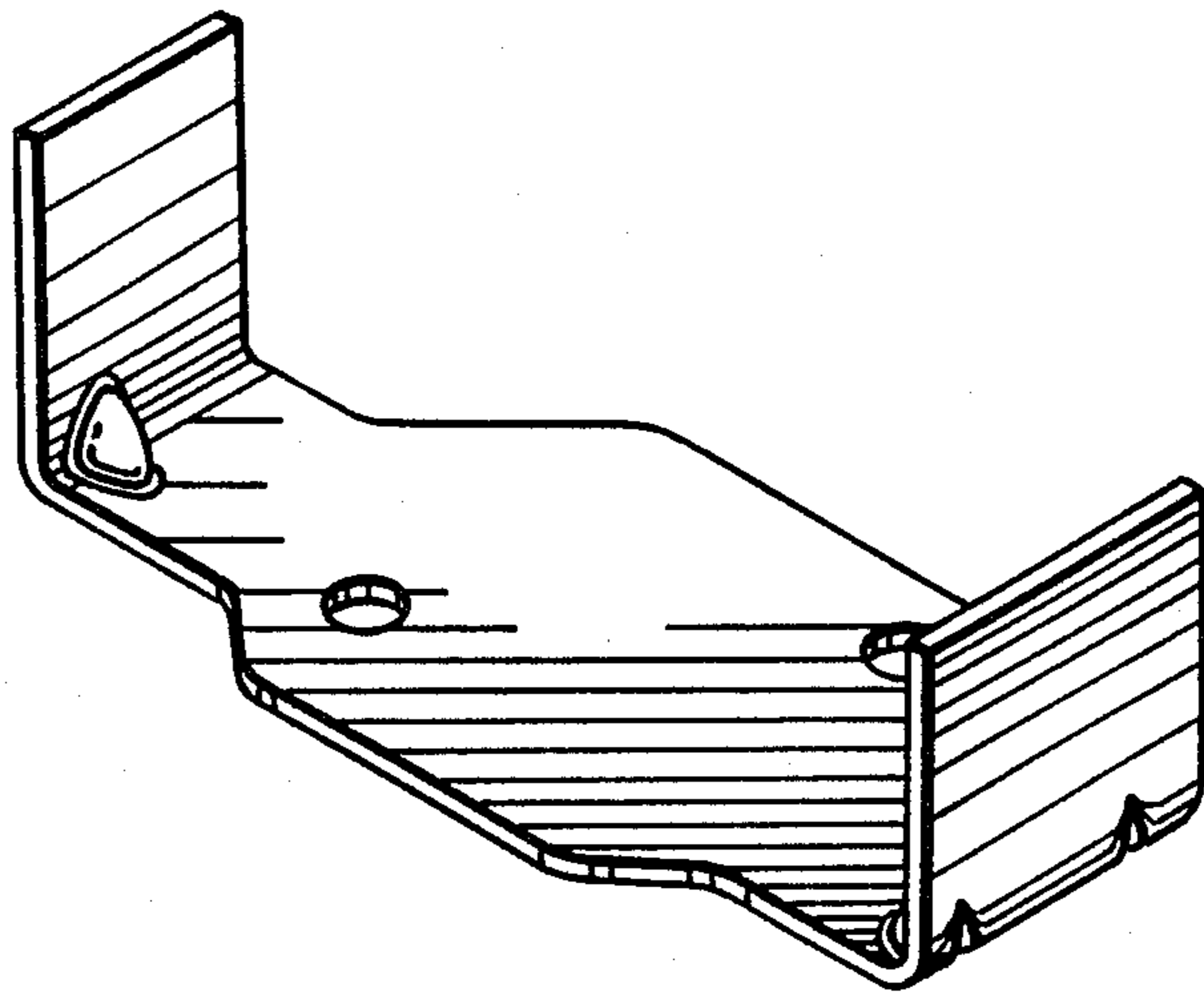


FIG. 1

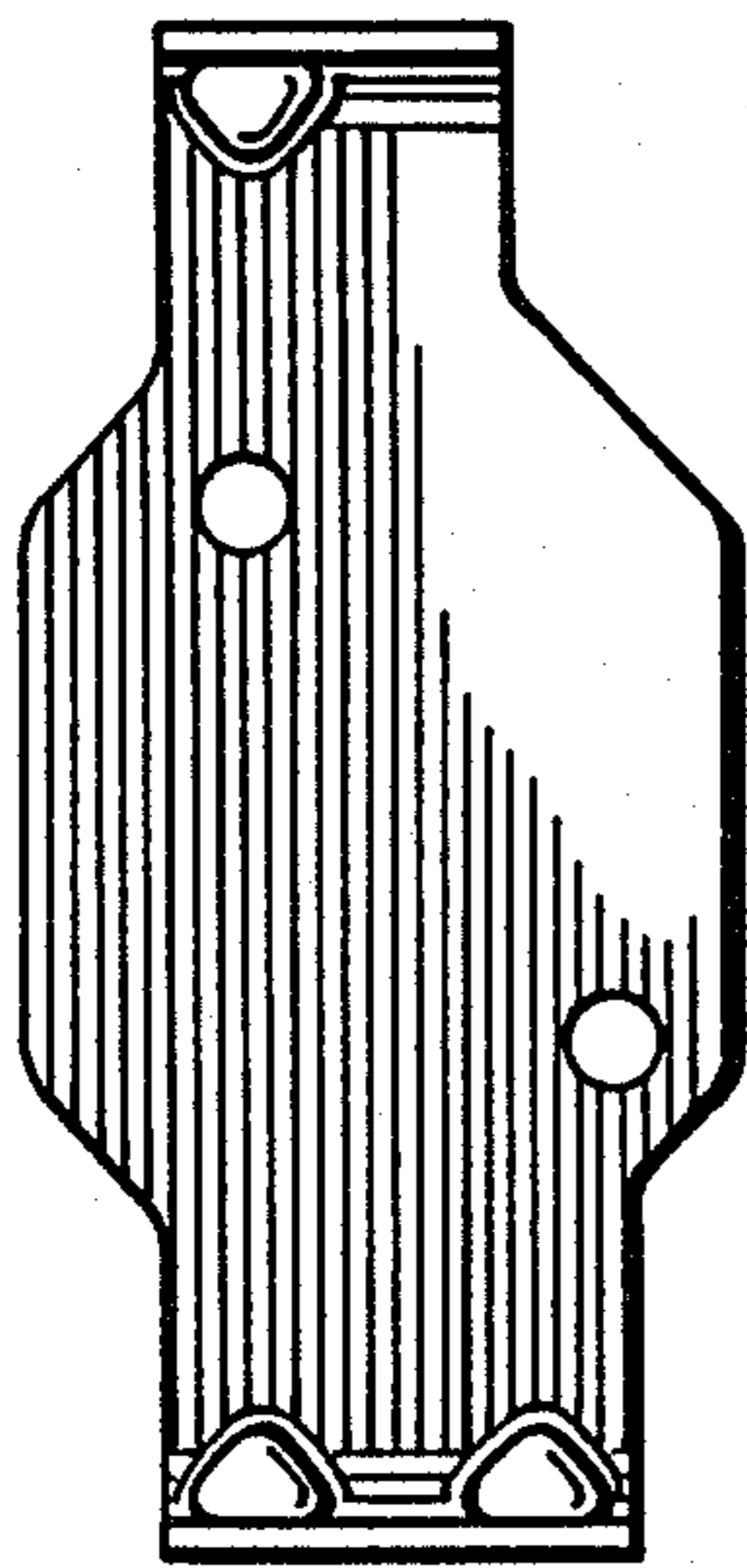


FIG. 2

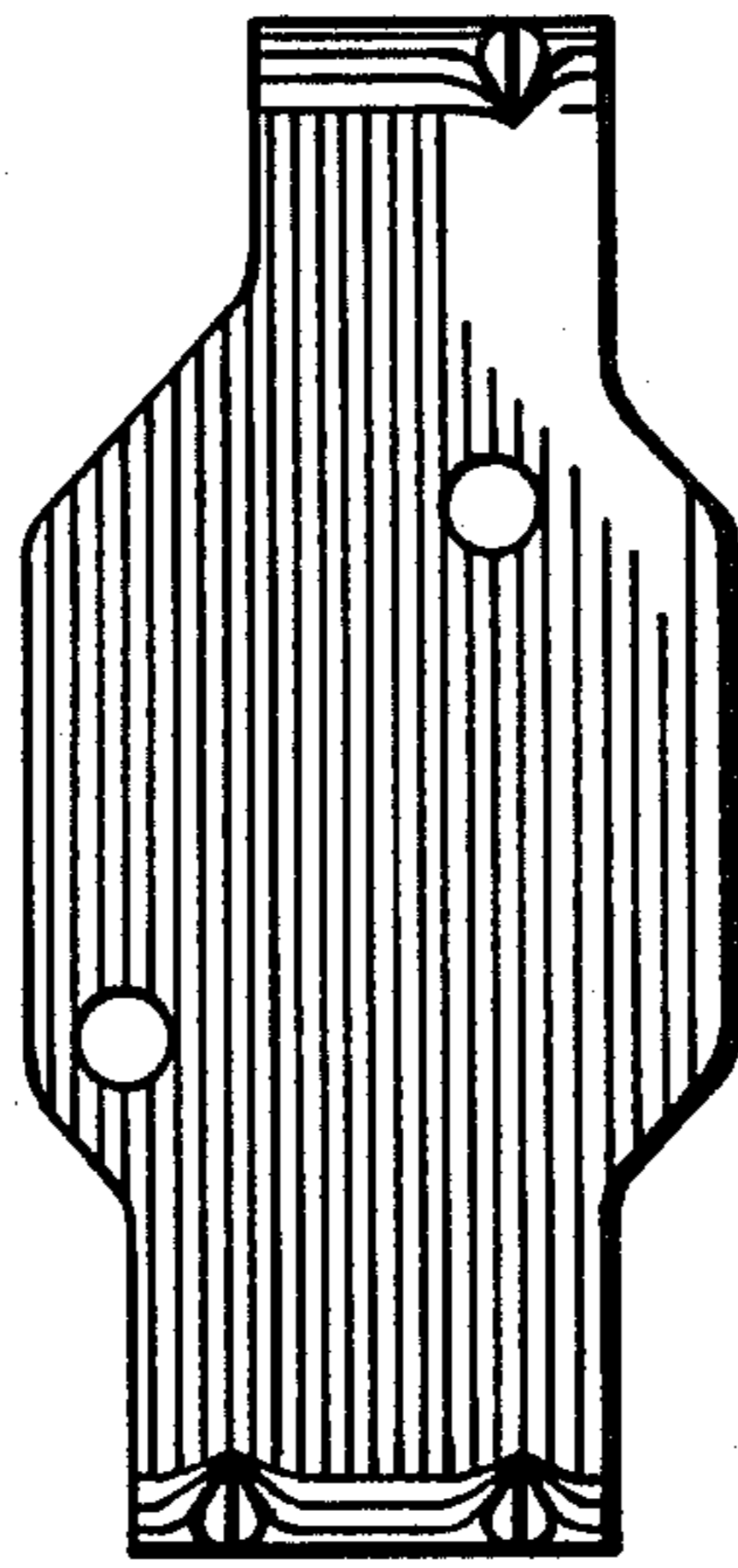


FIG. 3

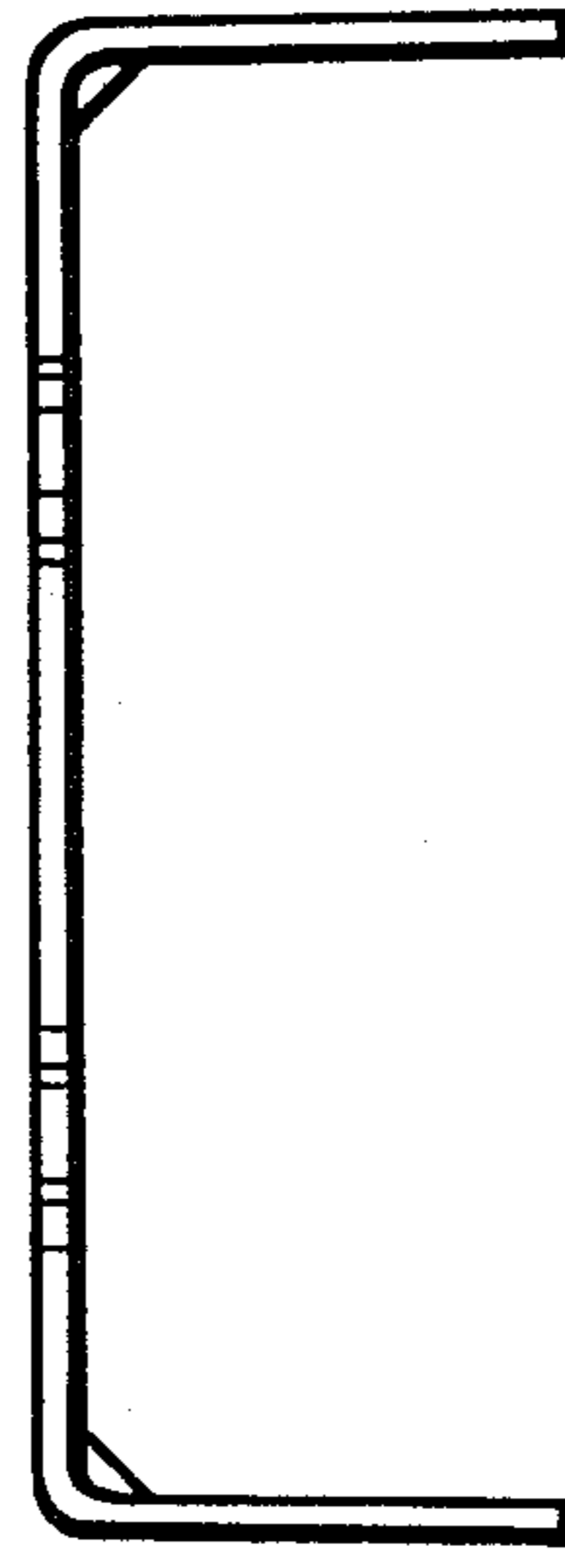


FIG. 4

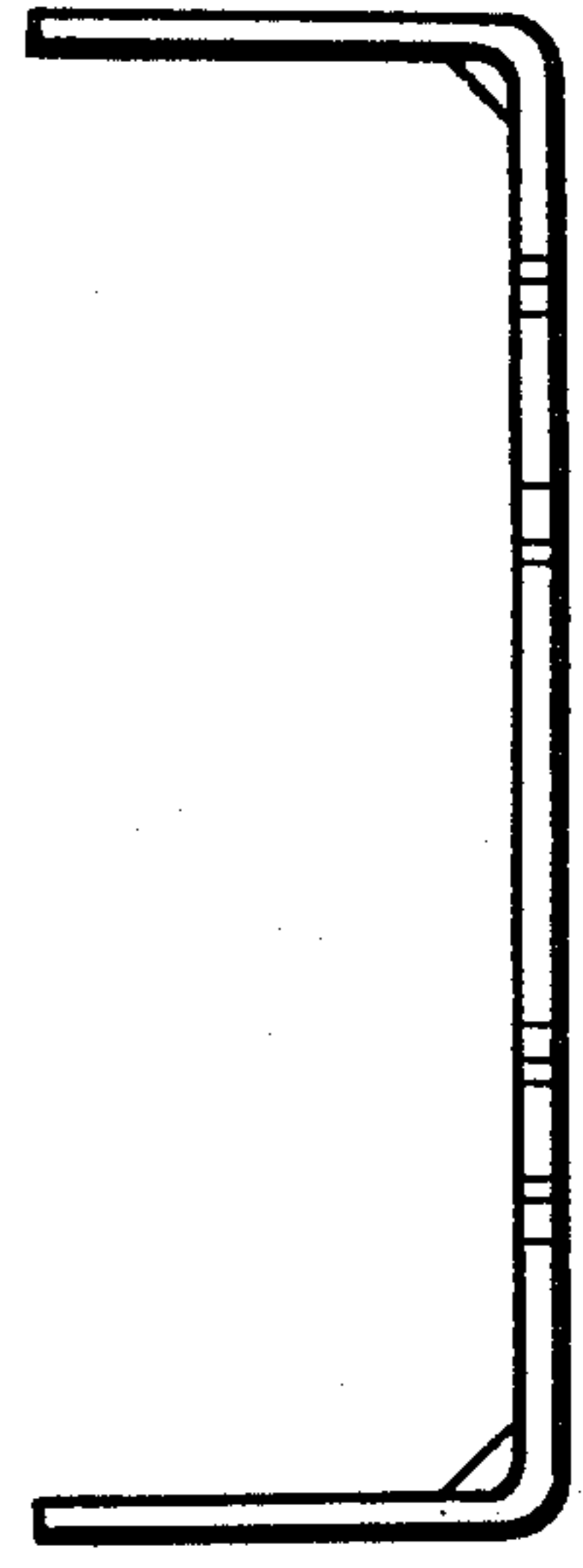


FIG. 5

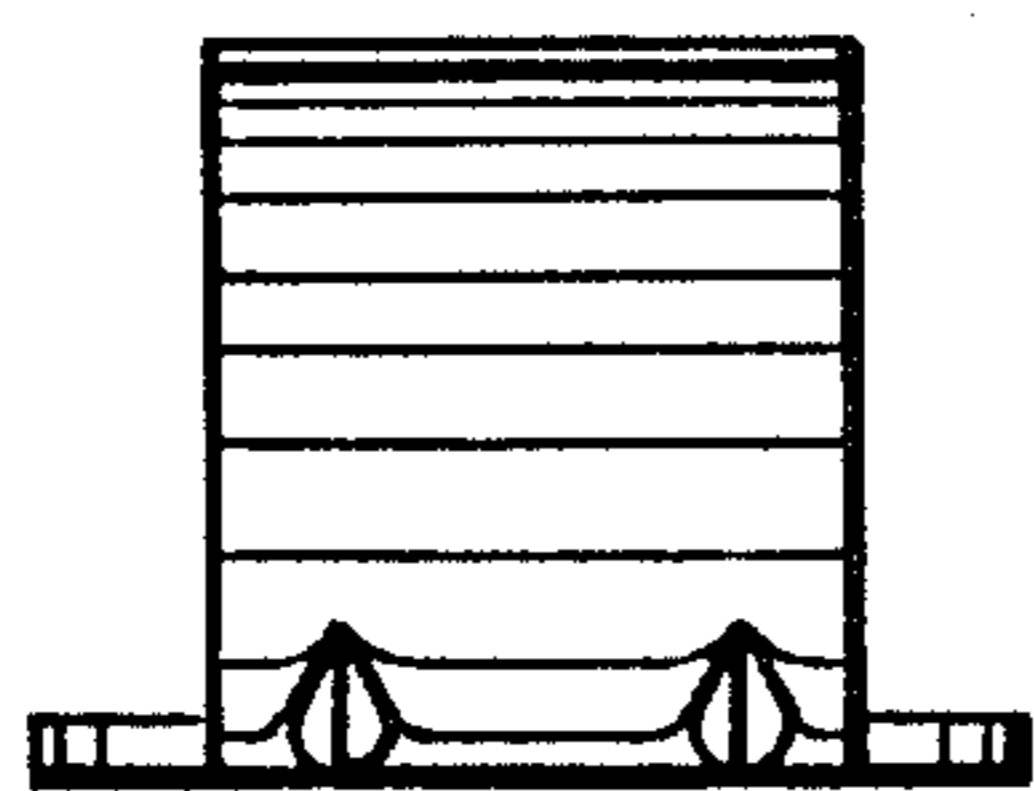


FIG. 6

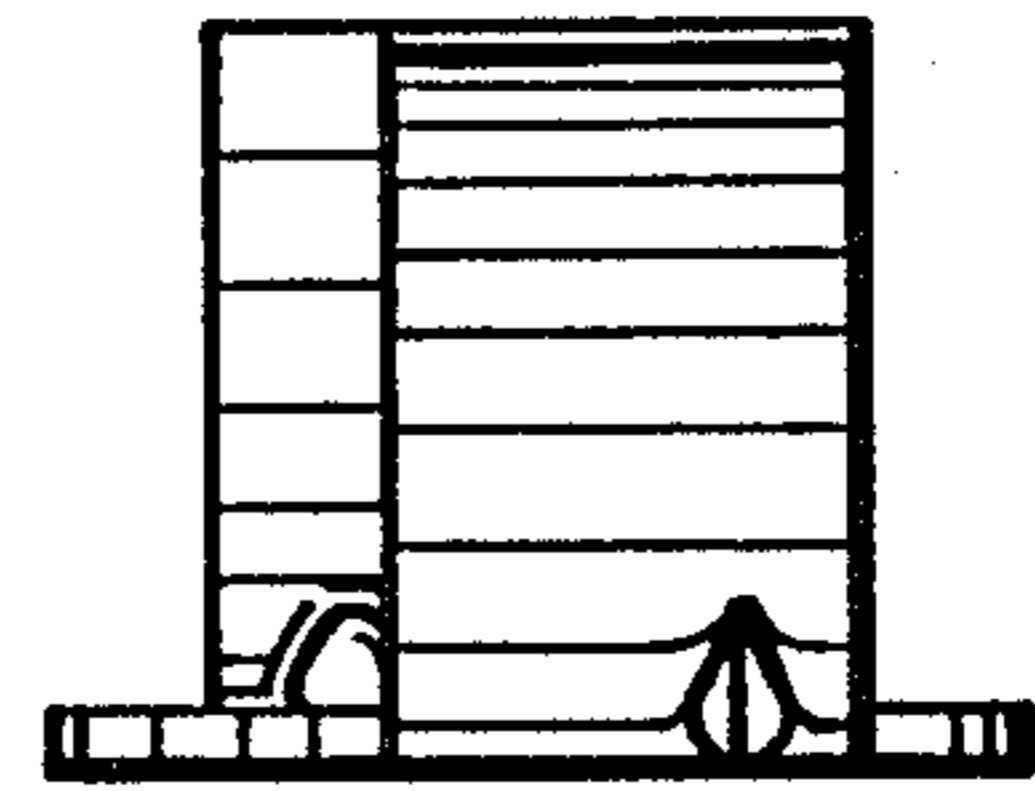


FIG. 7

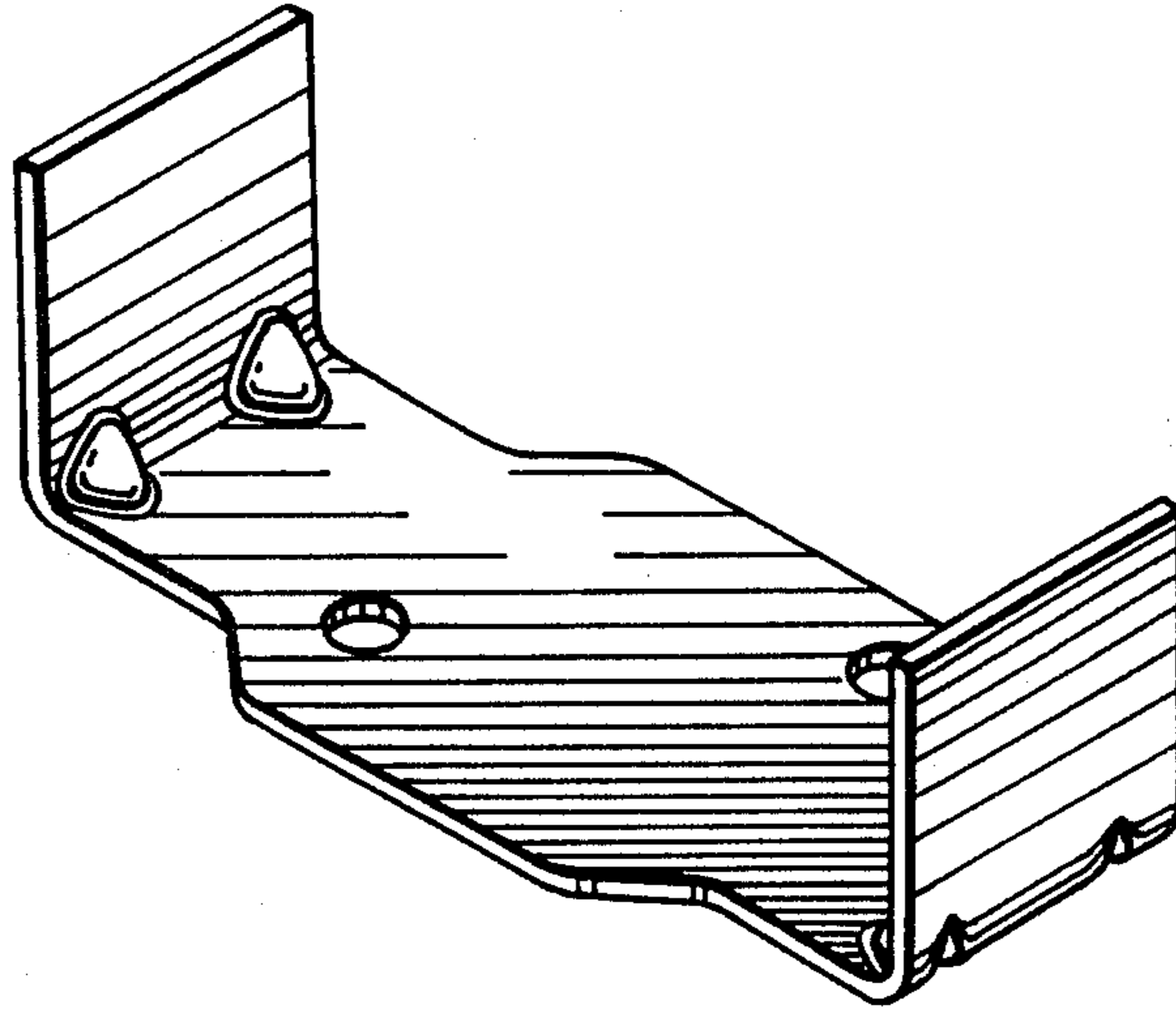


FIG. 8

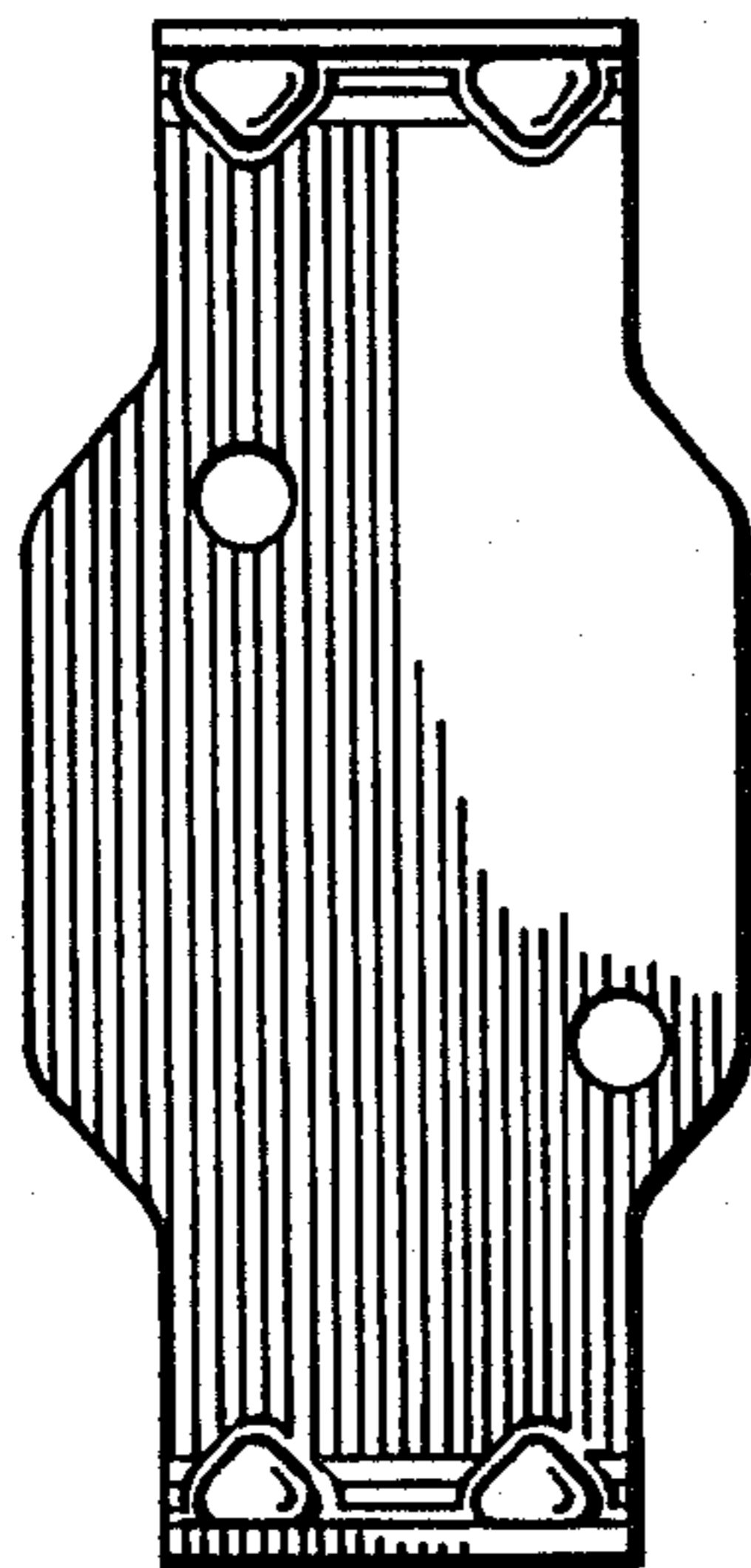


FIG. 9

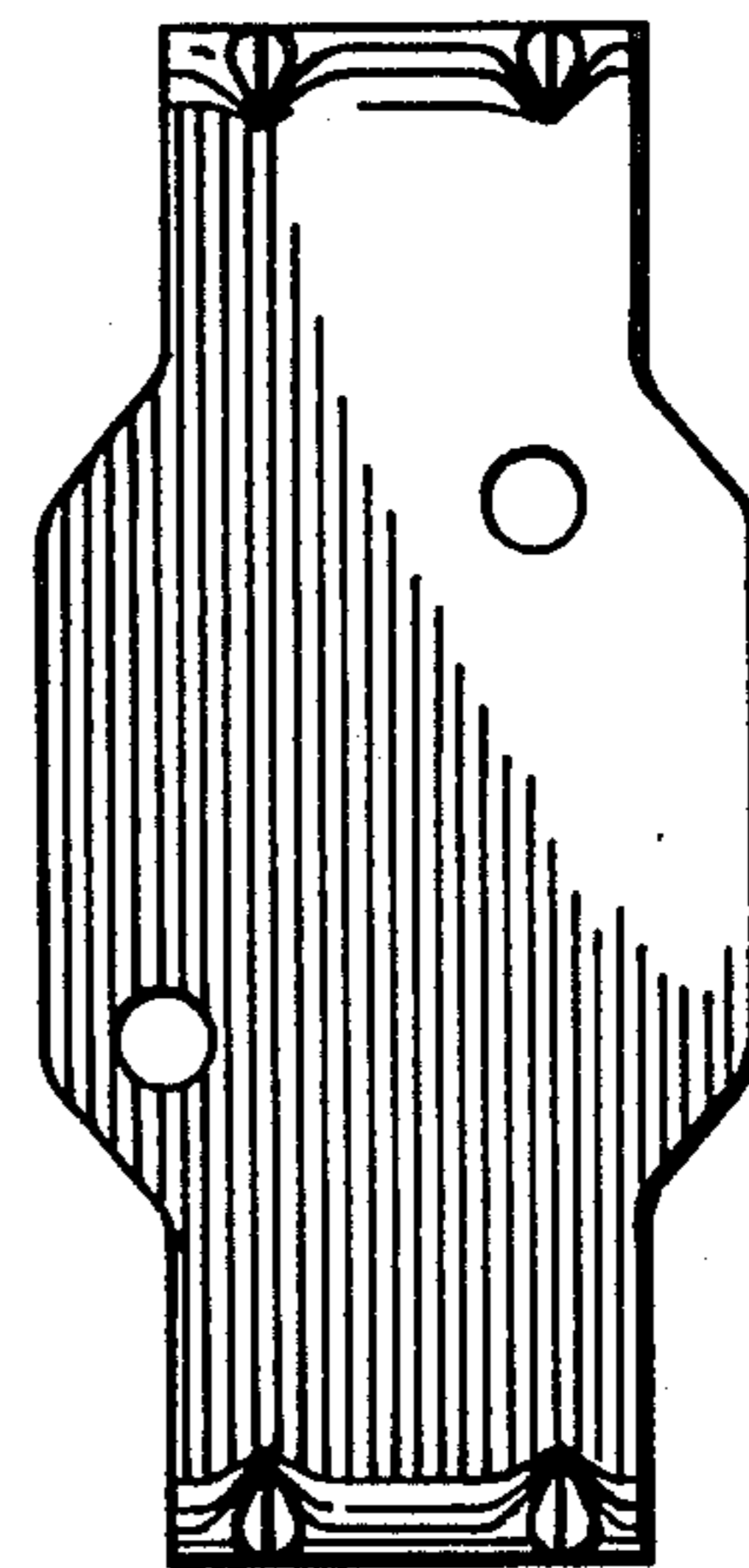


FIG. 10

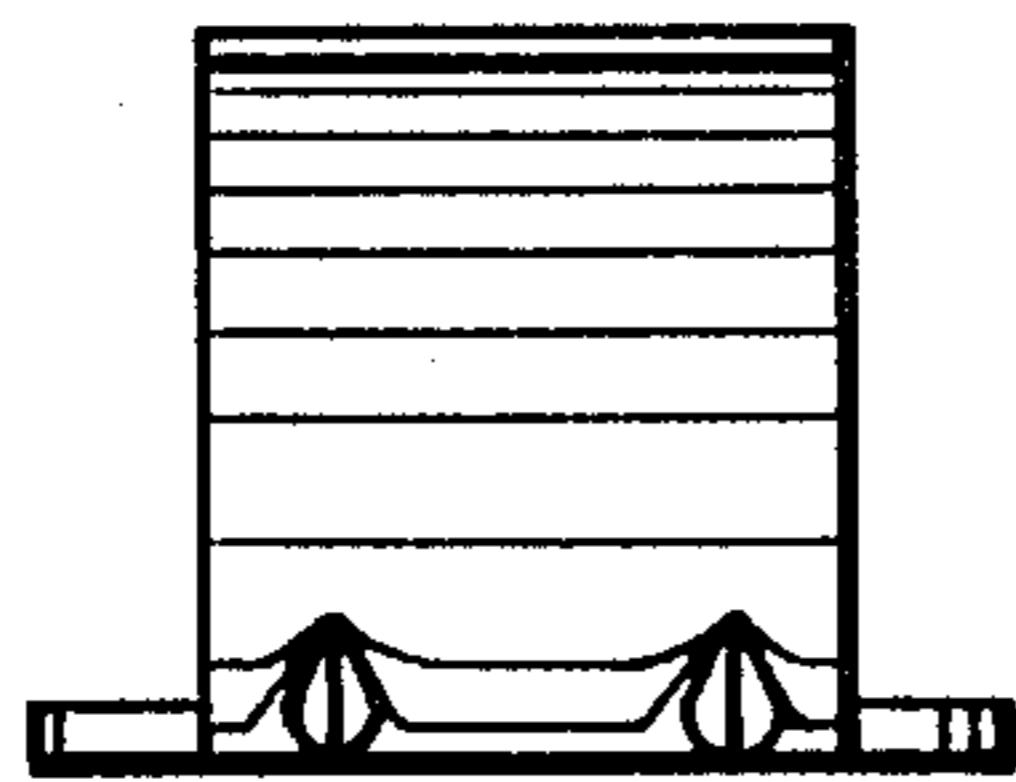


FIG. 11

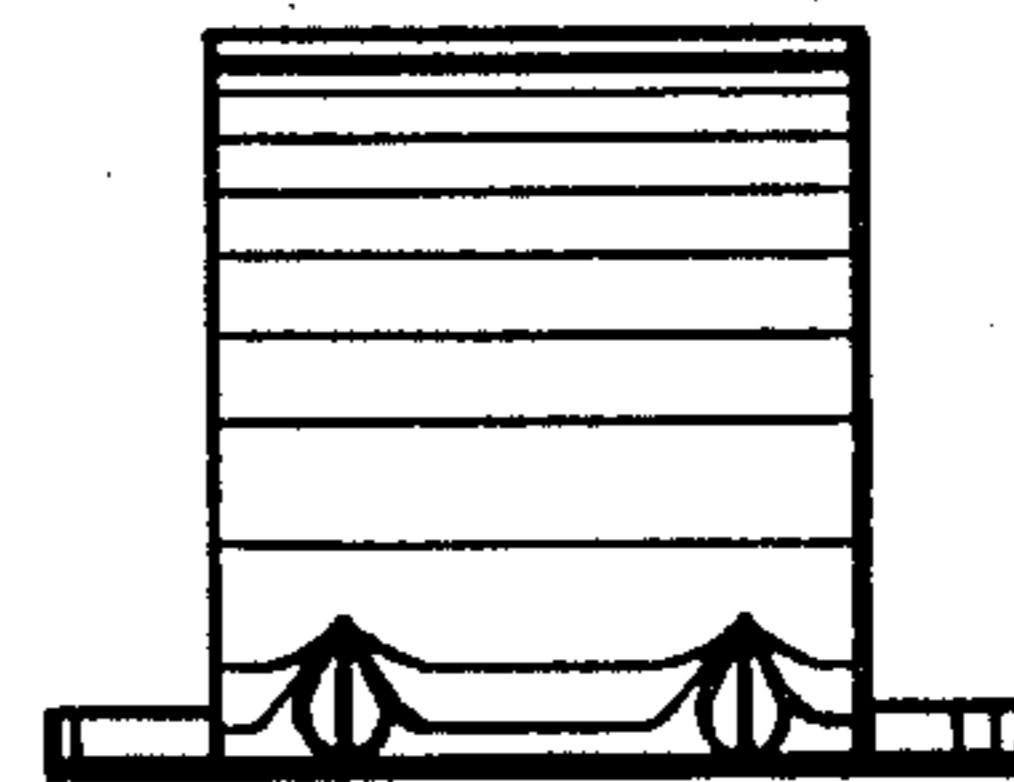


FIG. 12

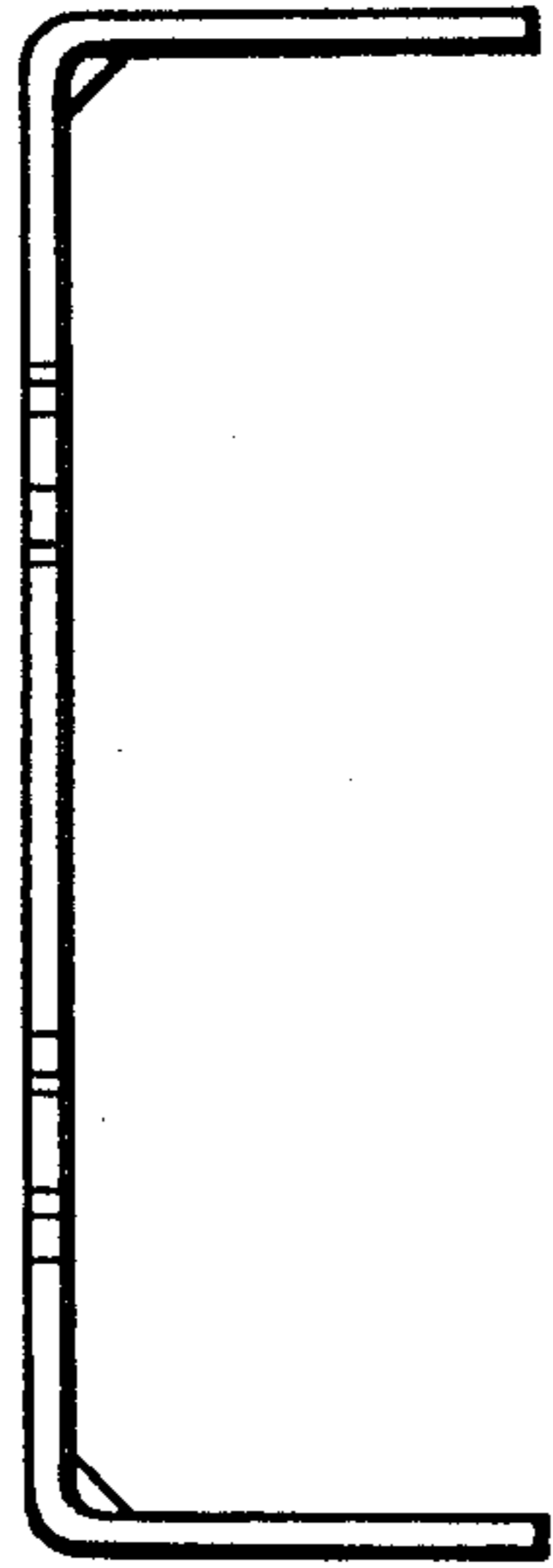


FIG. 13



FIG. 14

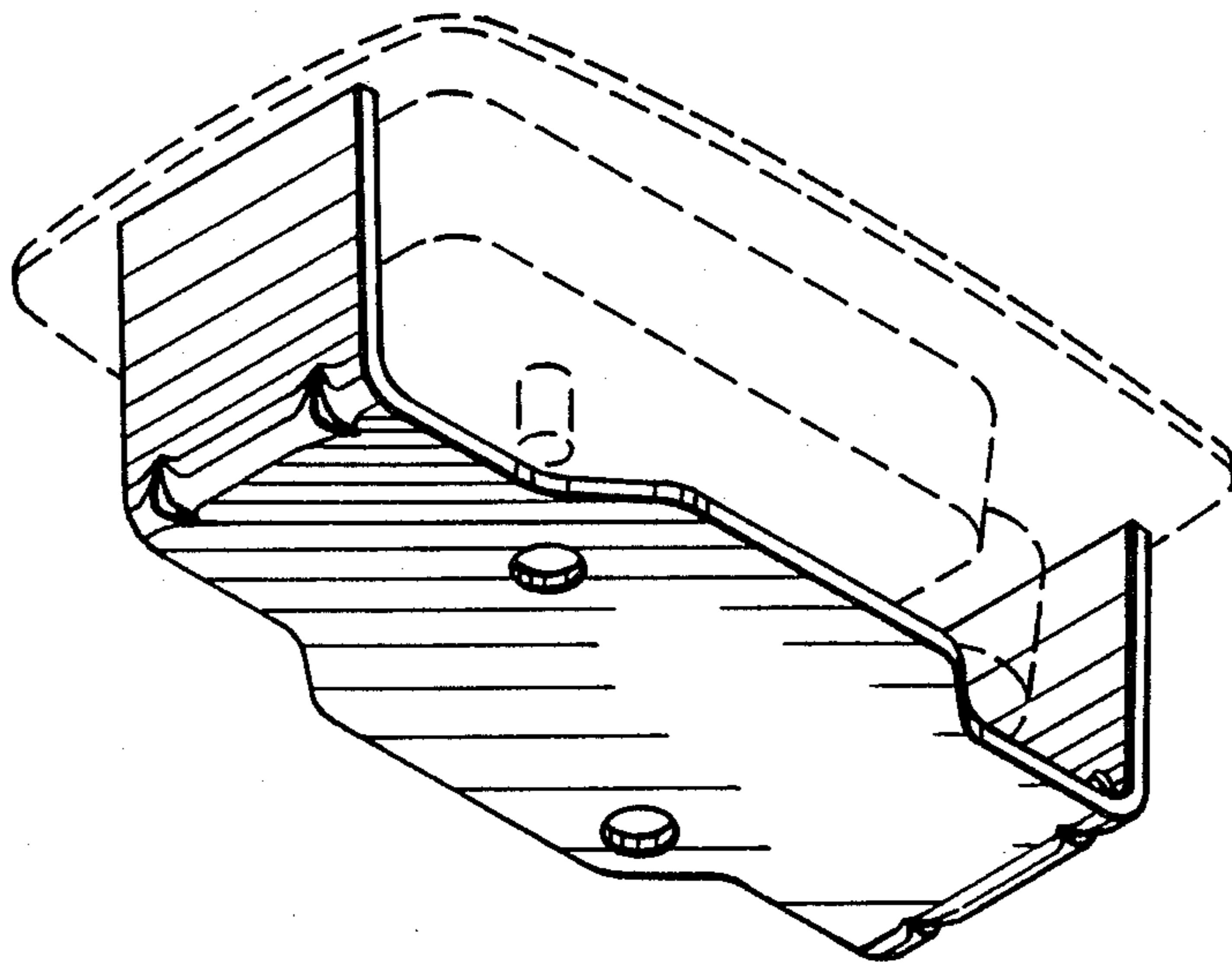


FIG. 15