

[54] COMBINED LATCH HOUSING AND PIVOTAL OPERATING ARM

[75] Inventors: Lee S. Weinerman, Medina; Joel T. Vargus, Middleburg Heights, both of Ohio

[73] Assignee: The Eastern Company, Cleveland, Ohio

[**] Term: 14 Years

[21] Appl. No.: 118,648

[22] Filed: Nov. 9, 1987

[52] U.S. Cl. D8/331

[58] Field of Search D8/330-331, D8/333, 336, 339, 341; 292/137, 169.11, 183, 189, 145, 147, 283, 342, DIG. 3, 23, 32

[56] References Cited

U.S. PATENT DOCUMENTS

D. 146,228	1/1947	Merendino	D50/5
D. 181,785	12/1957	Duvall	D10/8
D. 192,787	5/1962	Dyer	D10/8
D. 208,088	7/1967	Banner	D8/313 X
D. 242,597	12/1976	Gamus	D8/343
D. 249,456	9/1978	Testa	D8/336 X
D. 297,706	9/1988	Falk	D8/331

OTHER PUBLICATIONS

Eberhard Manufacturing Co., Cleveland, Ohio, "Handbook of Latches, Locks, Hinges, Handles and Related Hardware," Catalog No. 103, pp. 33-36, Section 1, (Bearing a Copyright date of 1985).

Primary Examiner—Wallace R. Burke
Assistant Examiner—Brian N. Vinson
Attorney, Agent, or Firm—David A. Burge

[57] CLAIM

The ornamental design for a combined latch housing and pivotal operating arm, as shown and described.

DESCRIPTION

FIG. 1 is a perspective view of a combined housing and pivotal operating arm showing our new design, the broken-line showing of the rotary bolt components being for illustrative purposes only and forming no part of the claimed design;

FIG. 2 is a front elevational view thereof;

FIG. 3 is a top plan view thereof;

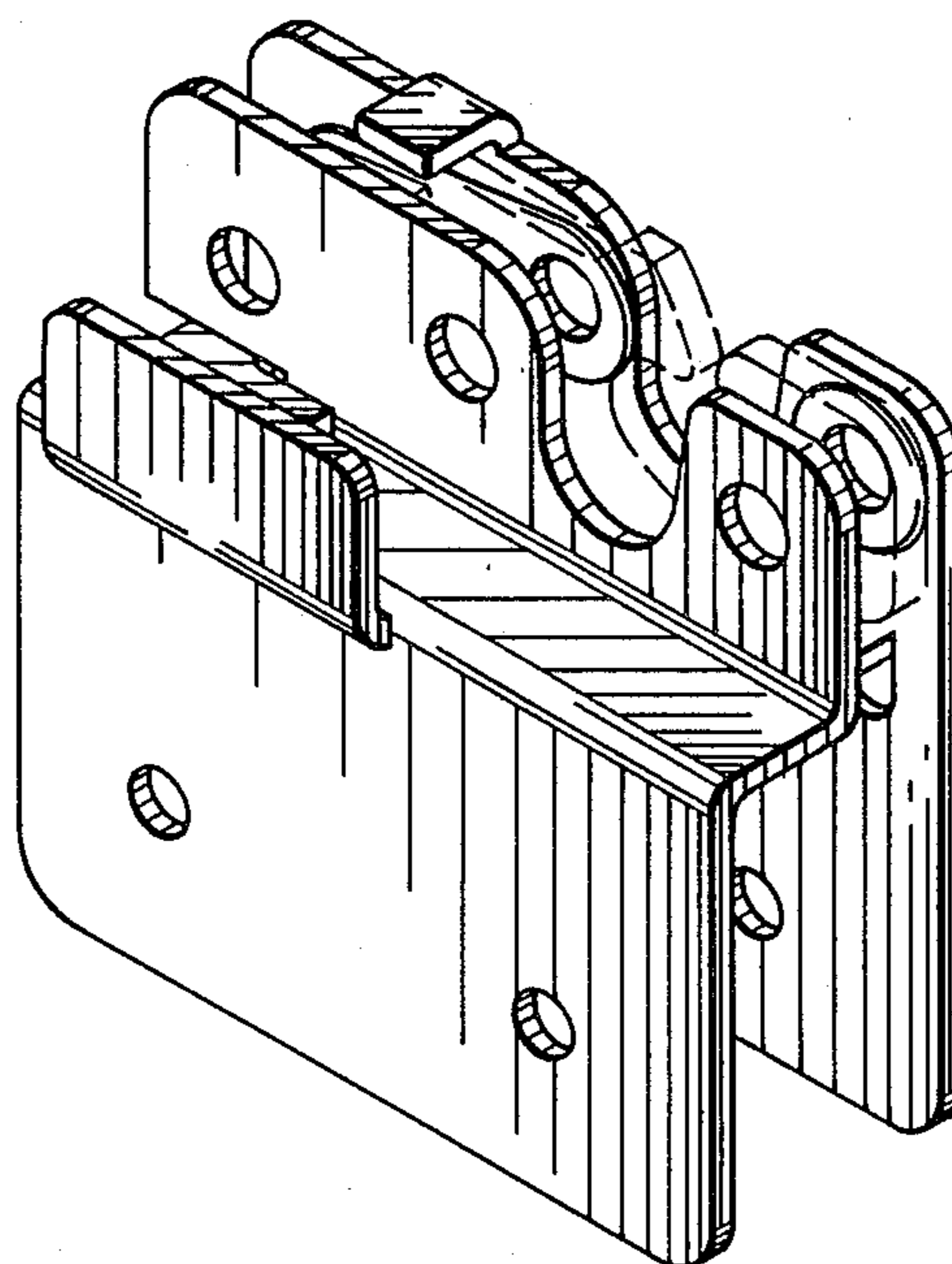
FIG. 4 is a rear elevational view thereof;

FIG. 5 is a bottom plan view thereof;

FIG. 6 is a right side elevational view thereof;

FIG. 7 is a left side elevational view thereof; and,

FIG. 8 is a top plan view thereof, with the operating arm shown pivoted to an open position.



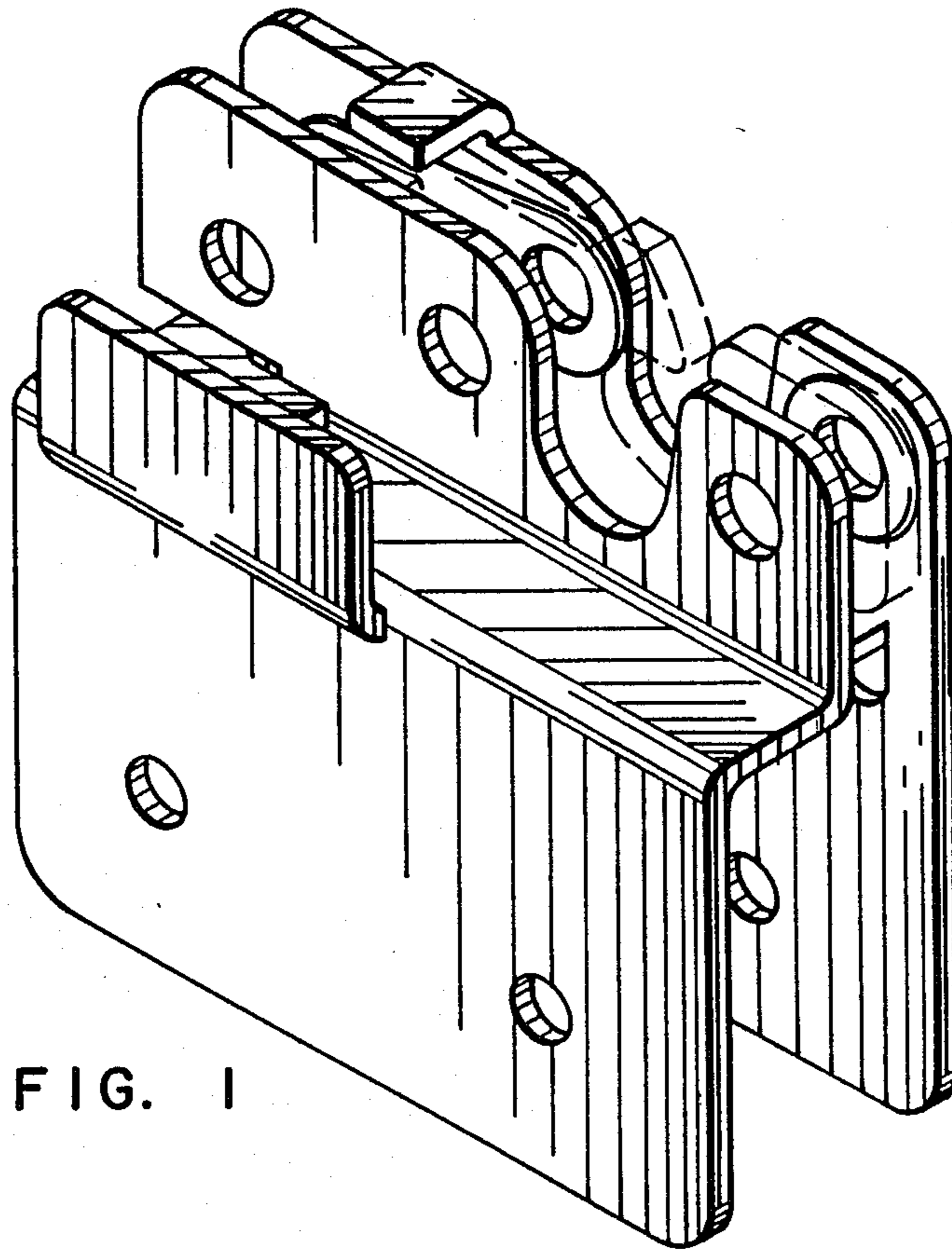


FIG. 1

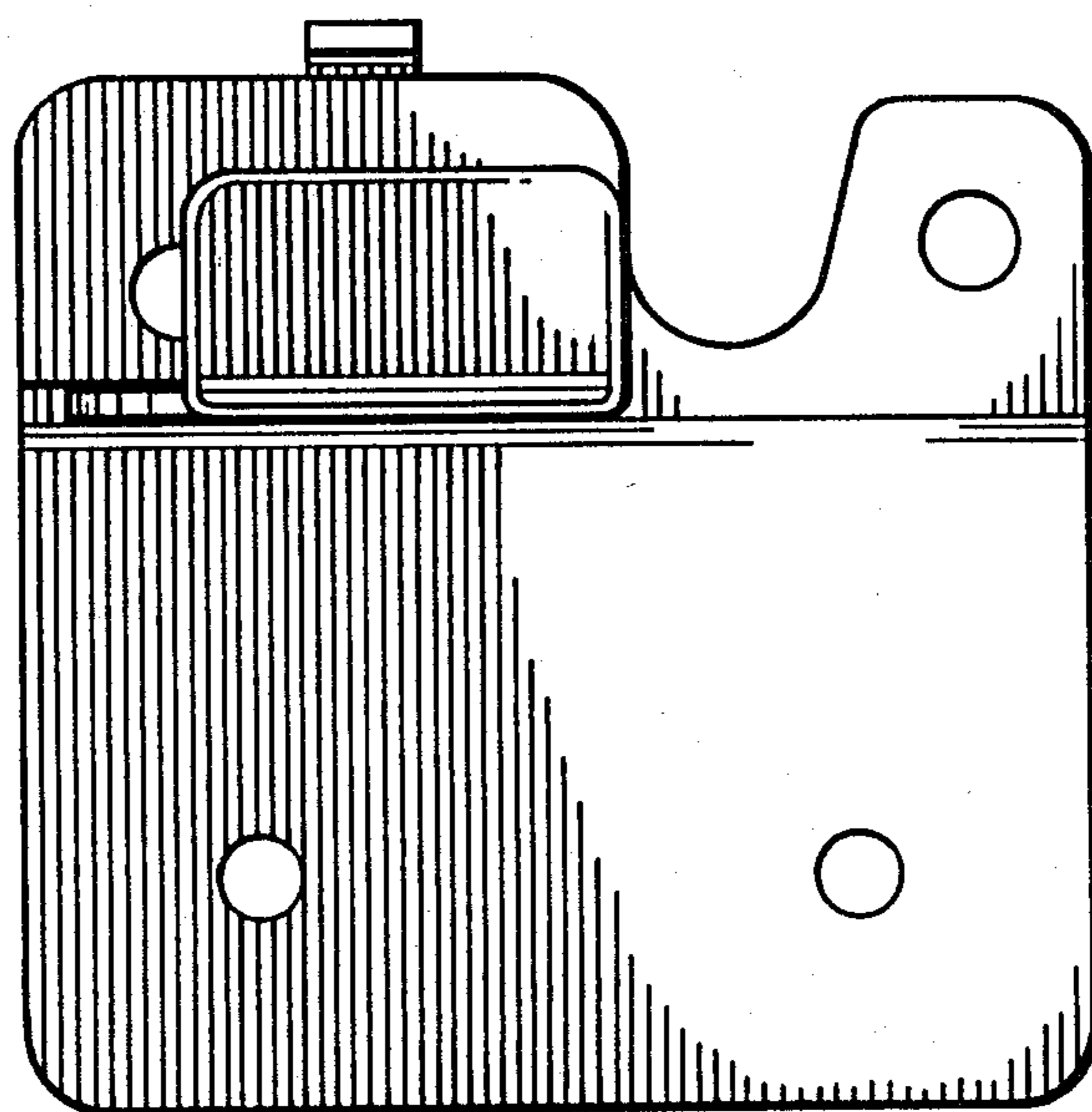


FIG. 2

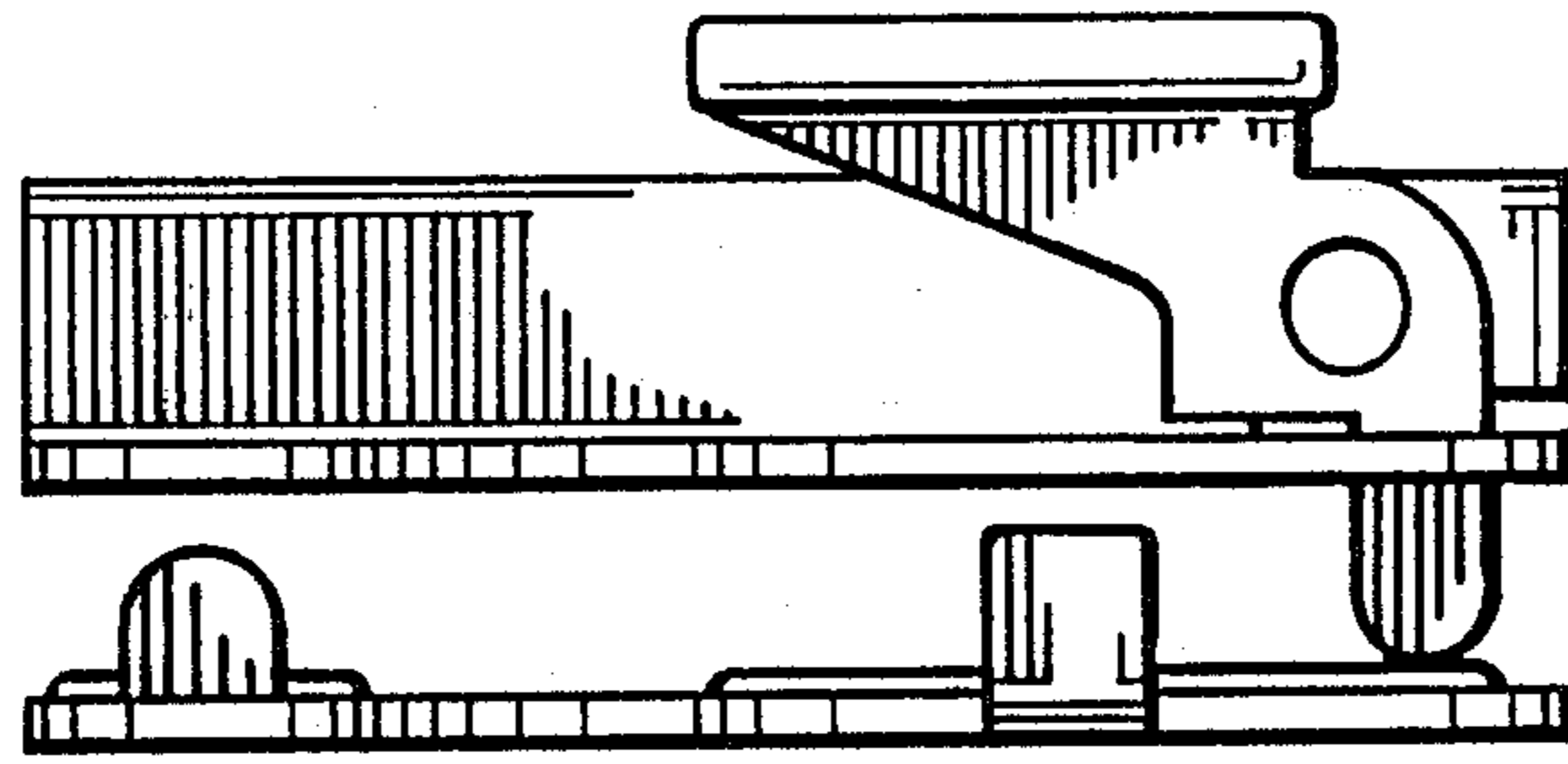


FIG. 3

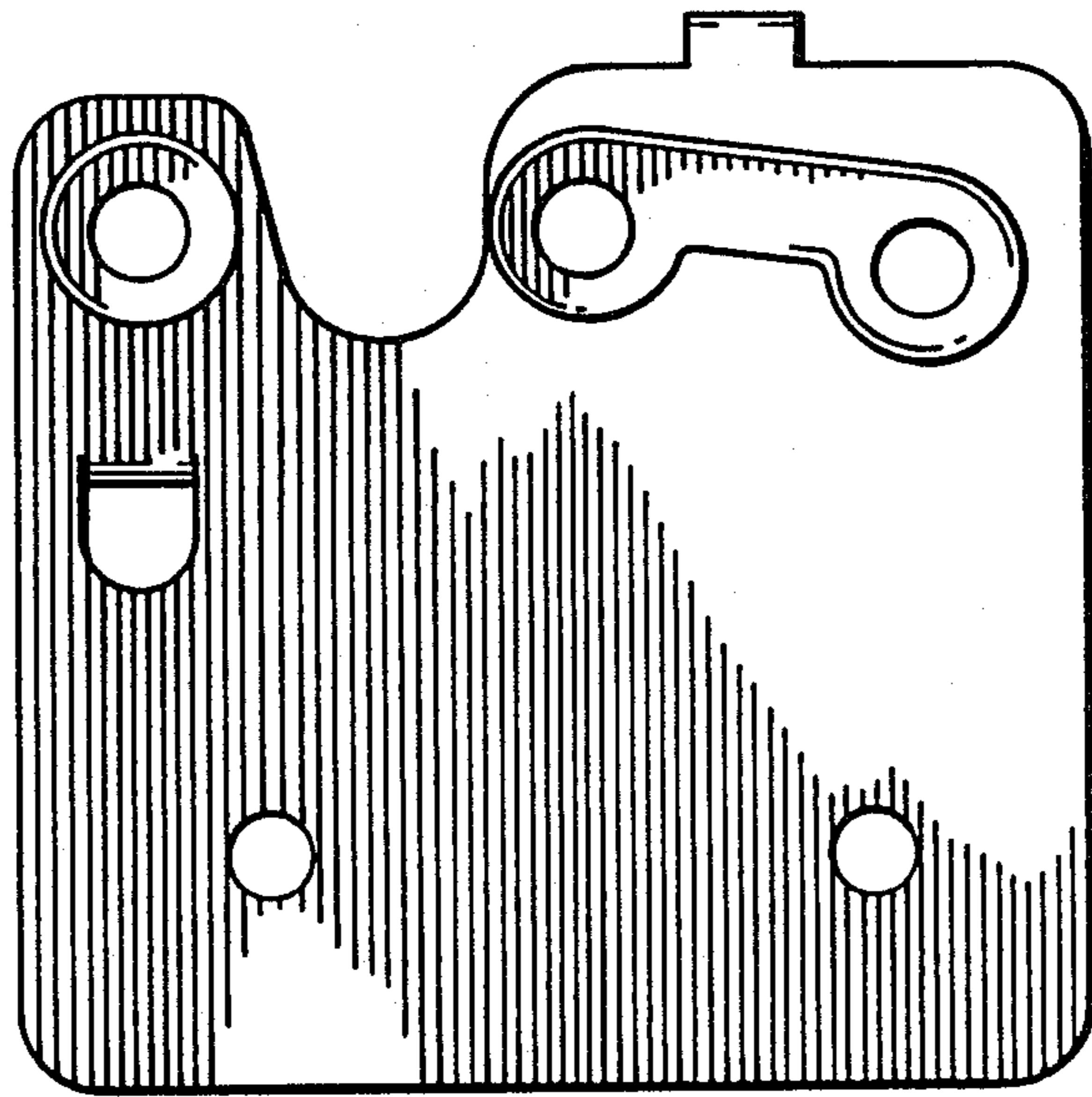


FIG. 4

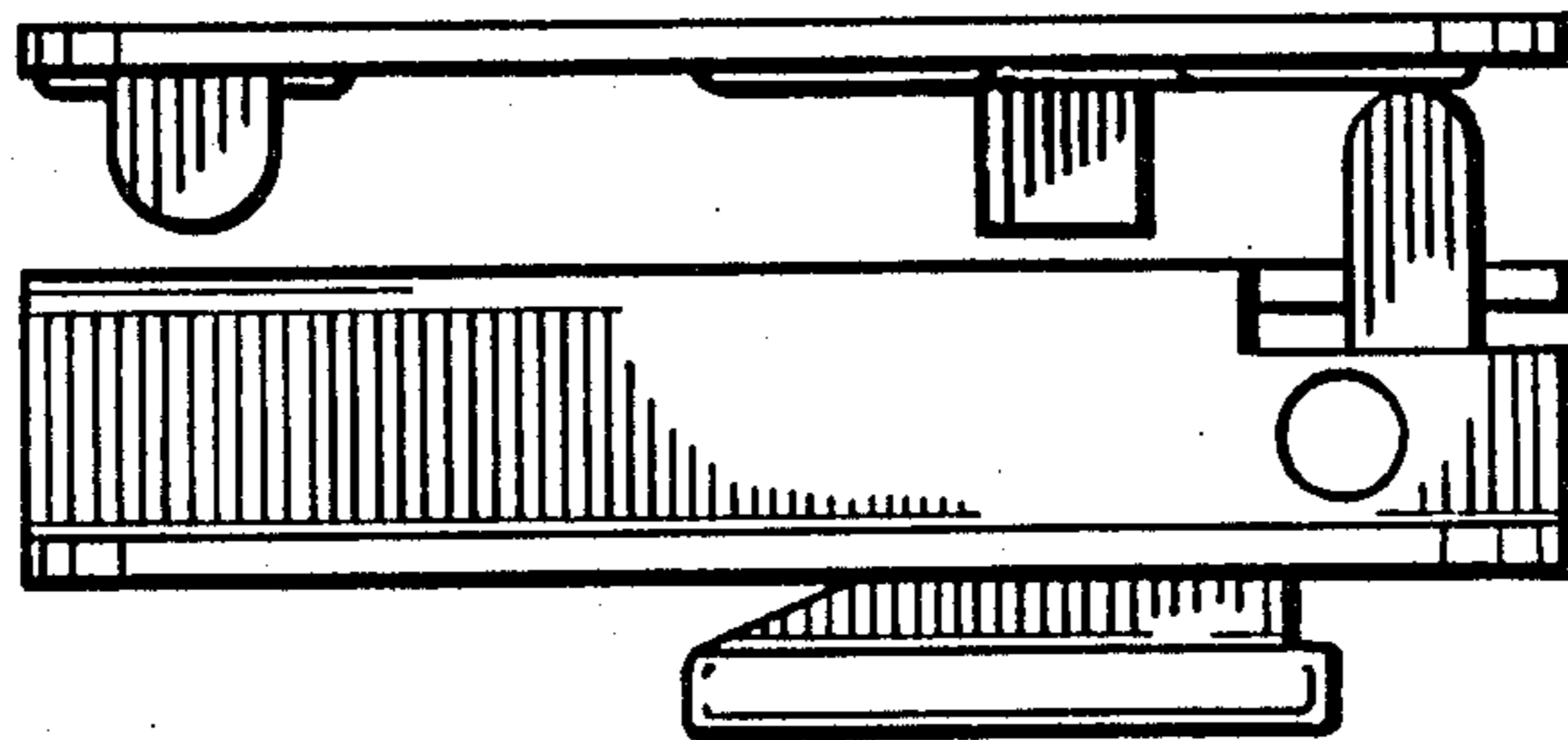


FIG. 5

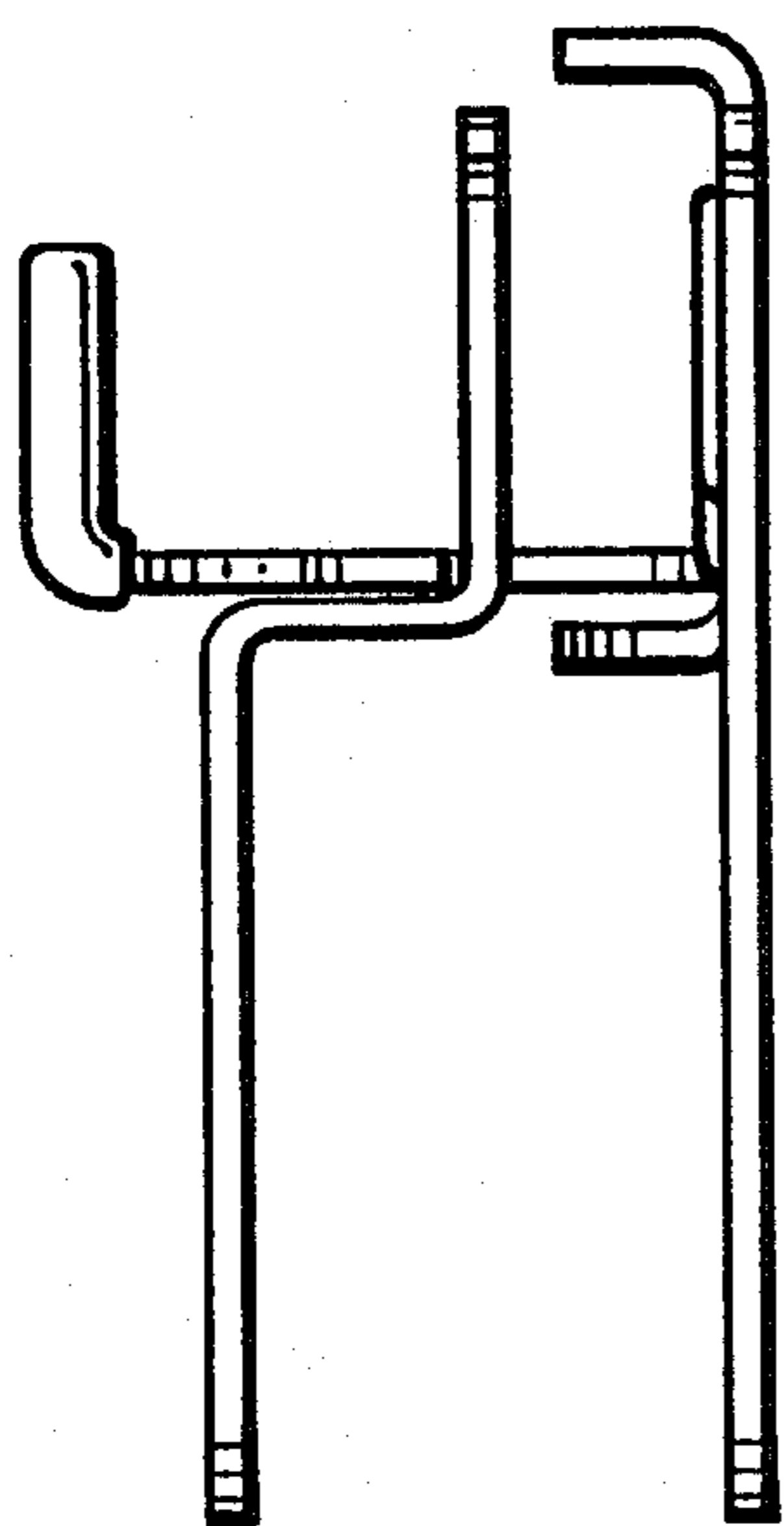


FIG. 6

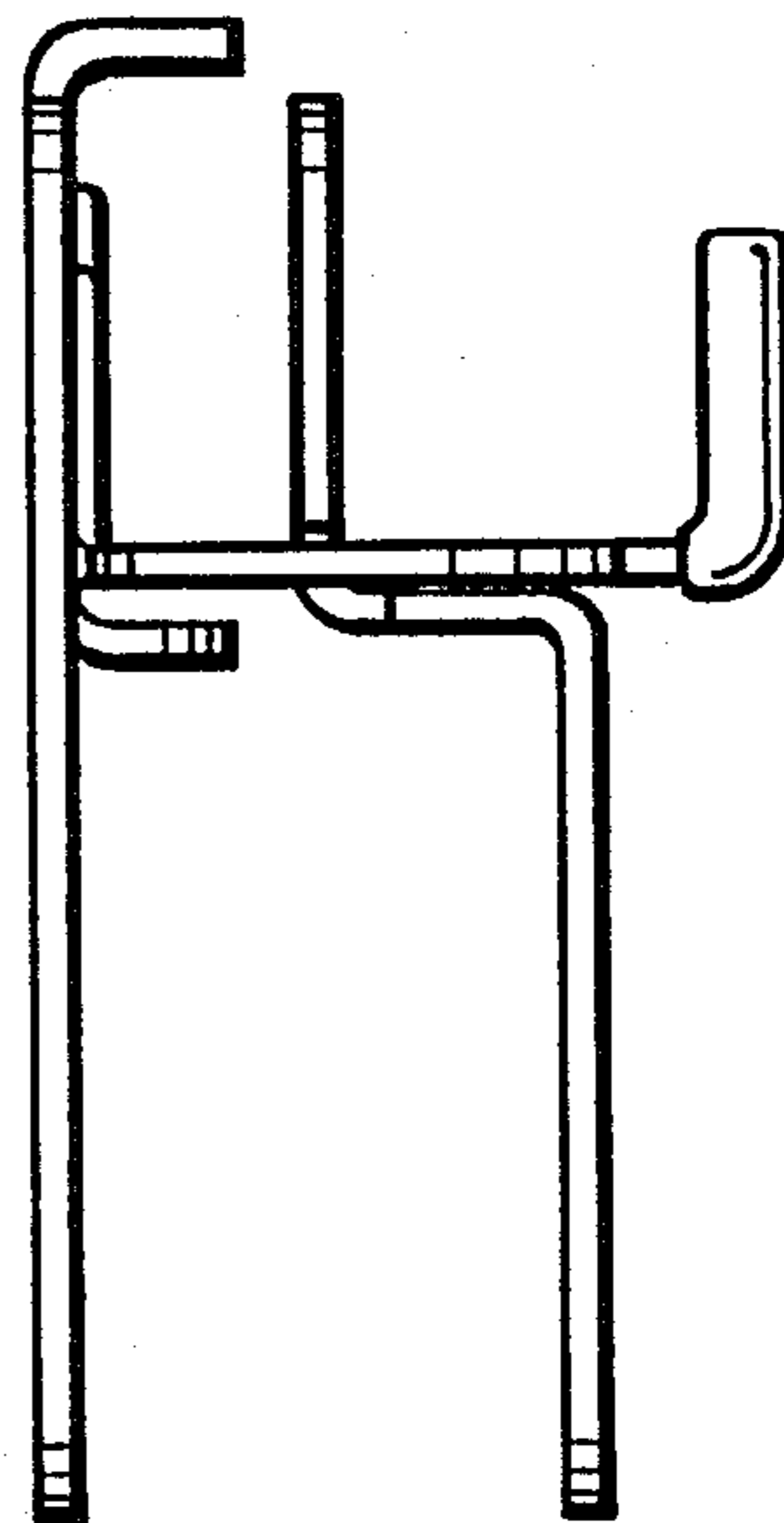


FIG. 7

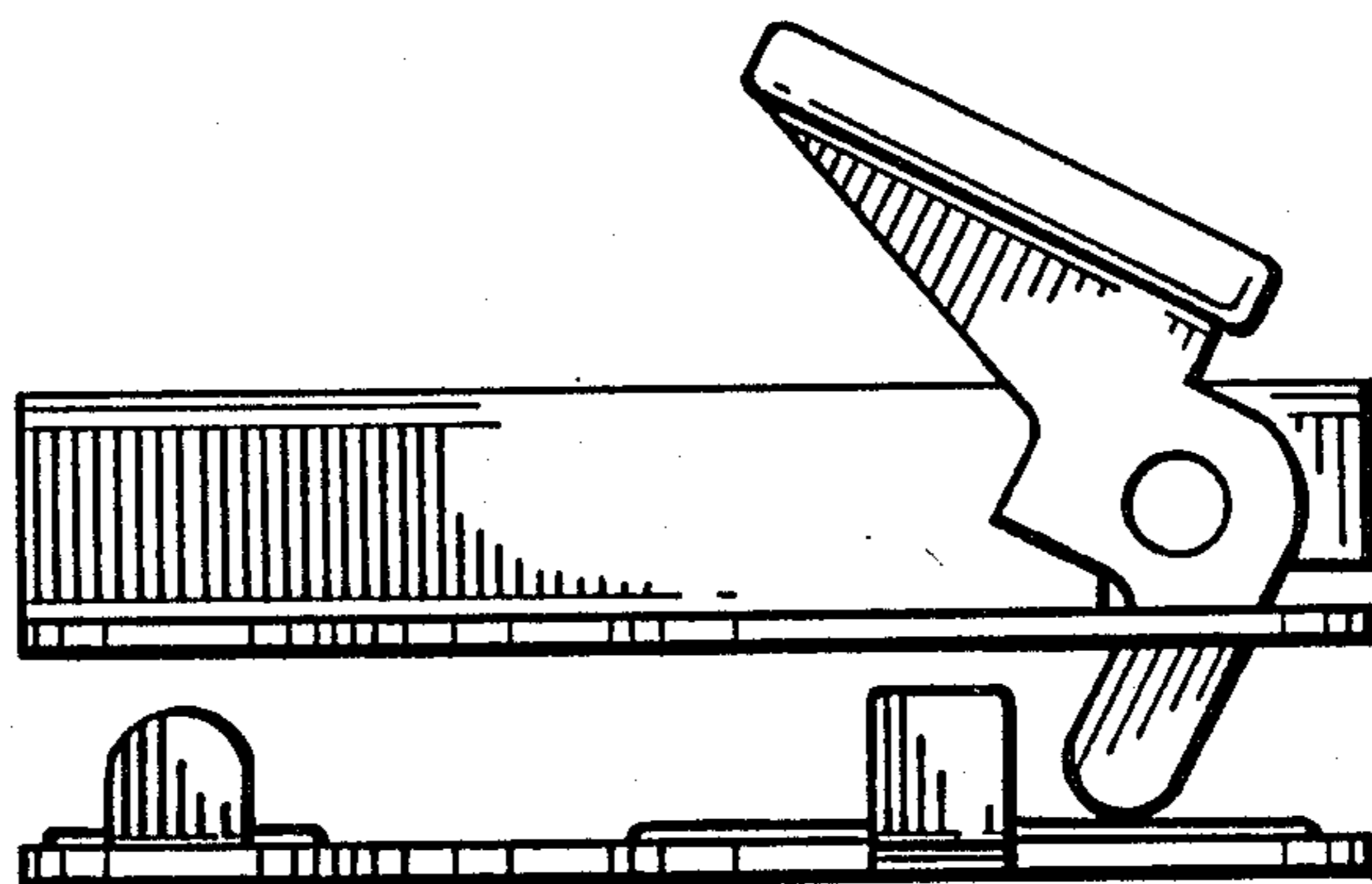


FIG. 8