

[54] CORDLESS DRILL OR SIMILAR ARTICLE

[75] Inventor: Robert I. Somers, Sparks, Md.

[73] Assignee: Black & Decker Inc., Newark, Del.

[\*\*] Term: 14 Years

[21] Appl. No.: 28,142

[22] Filed: Mar. 19, 1987

[52] U.S. Cl. .... D8/68

[58] Field of Search ..... D8/61, 68; 81/54, 57.11, 81/57.14, 429; 173/163, 170; 408/124, 125, 127; 310/50

1986 Hitachi catalog, p. 2.

Black & Decker Power Tools & Accessories catalog (copyrighted 1985) cover (back & front) and pp. 7-9. U.S. patent application Ser. No. 931,451 (FIGS. 1-14).

Primary Examiner—Bruce W. Dunkins

Assistant Examiner—Clare E. Heflin

Attorney, Agent, or Firm—Dennis A. Dearing; Edward D. Murphy

[57] CLAIM

The ornamental design for a cordless drill or similar article, as shown and described.

DESCRIPTION

FIG. 1 is a right side elevational view of a cordless drill or similar article;

FIG. 2 is a left side elevational view thereof;

FIG. 3 is a top plan view thereof;

FIG. 4 is a bottom plan view thereof;

FIG. 5 is a front elevational view thereof;

FIG. 6 is a rear elevational view thereof.

The terms left, right, front, rear, top, and bottom used to describe the orientation of the drill in the drawings are used for convenience and are not intended to limit the design to a particular orientation. As will be apparent, the drill of this invention may be used in any orientation.

[56] References Cited

U.S. PATENT DOCUMENTS

D. 243,652 3/1977 Zurwelle et al. .... D8/68  
2,636,136 4/1953 Gubbins ..... 173/170

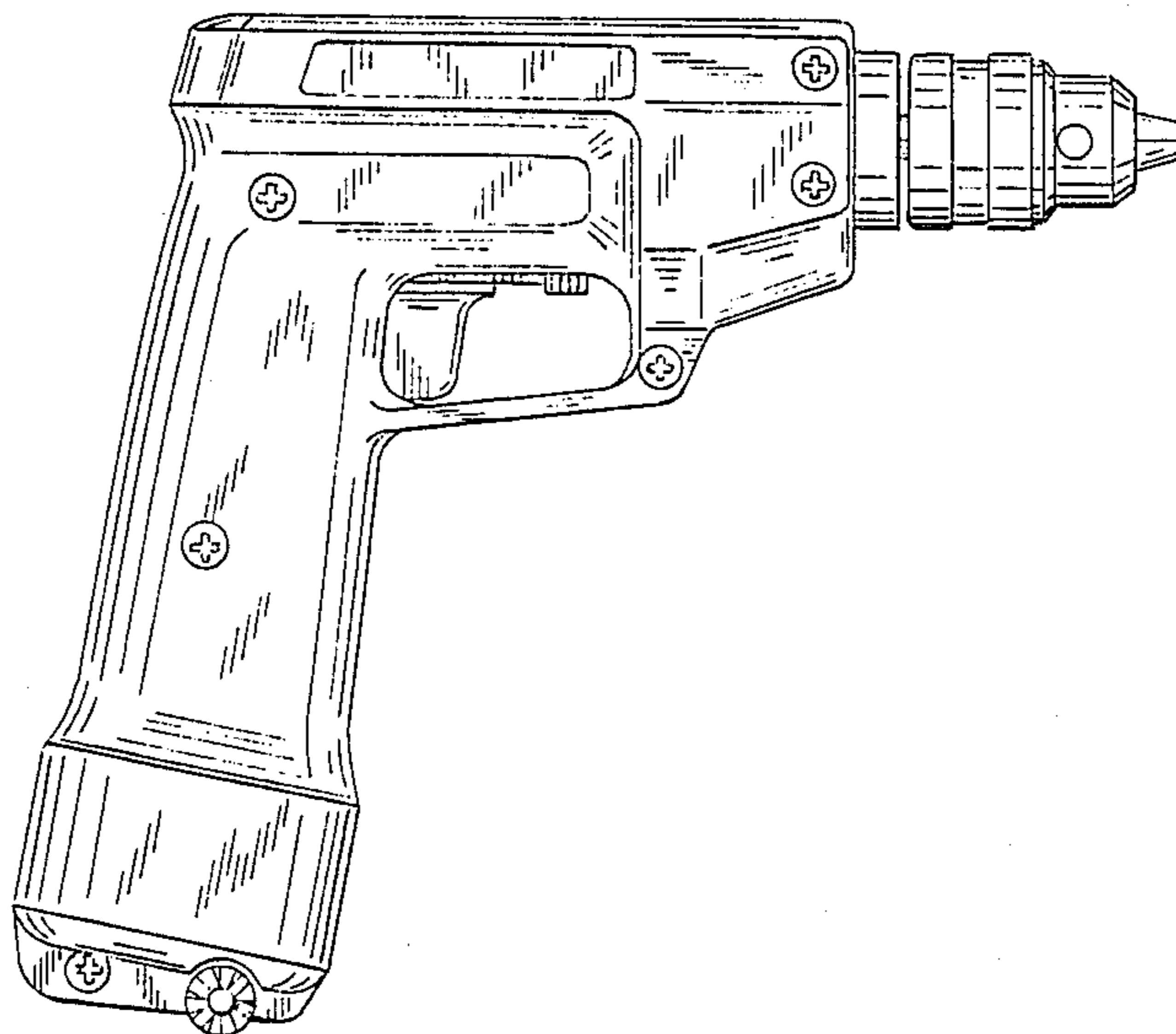
OTHER PUBLICATIONS

Power Products Div. of Desa Industries Inc. ad for the Remington "Fastrak" Stud Driver.

Popular Mechanics Nov. 1979, p. 34, Skil Boar Gun.

D.I.Y. Retailing Feb. 1988, p. 113, Wen 3/8" Cordless Drill.

D.I.Y. Retailing Aug. 1988, p. 120, Skil Cordless Drill. 1986-1987 Bosch catalog, p. 16.



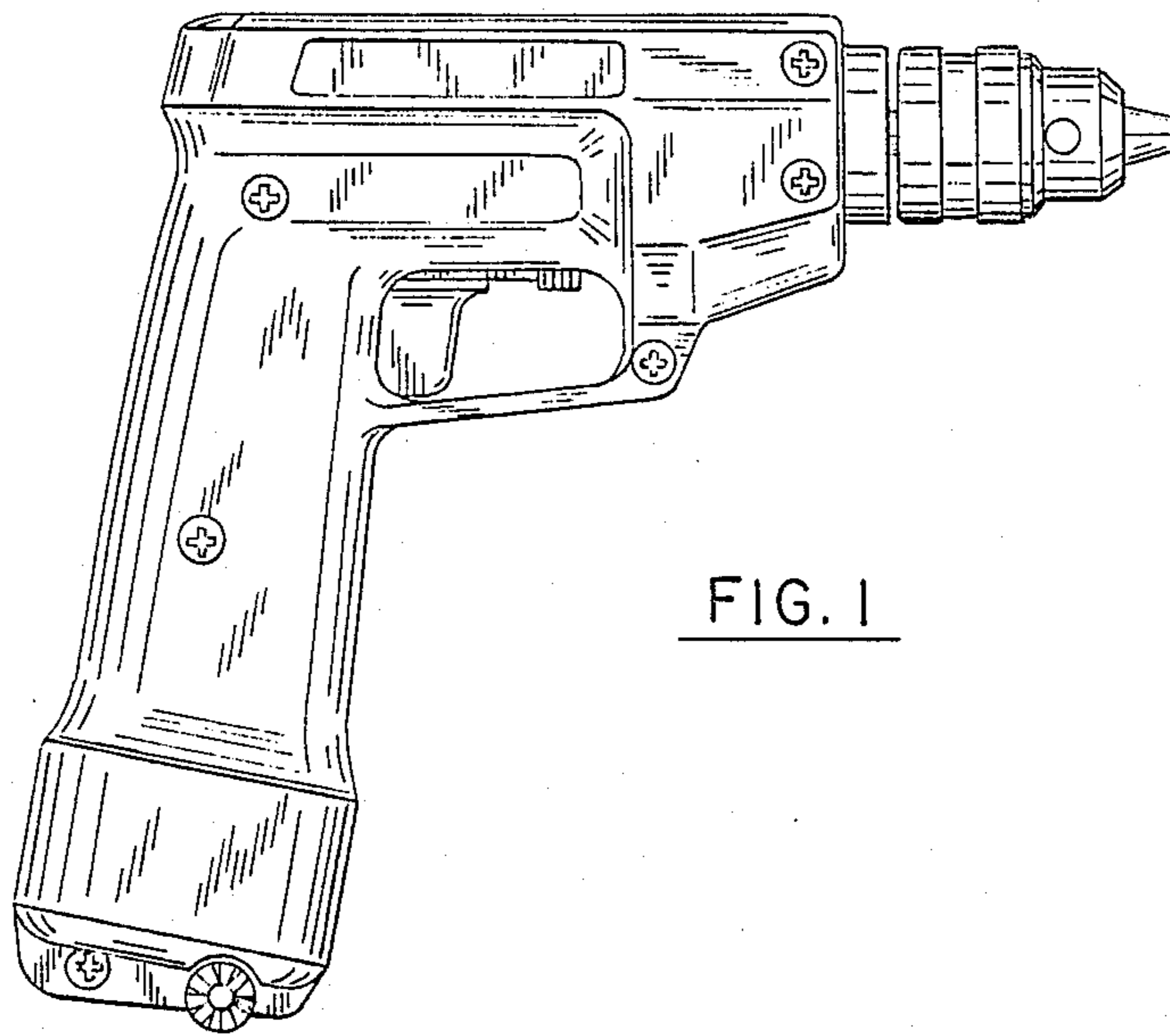


FIG. 1

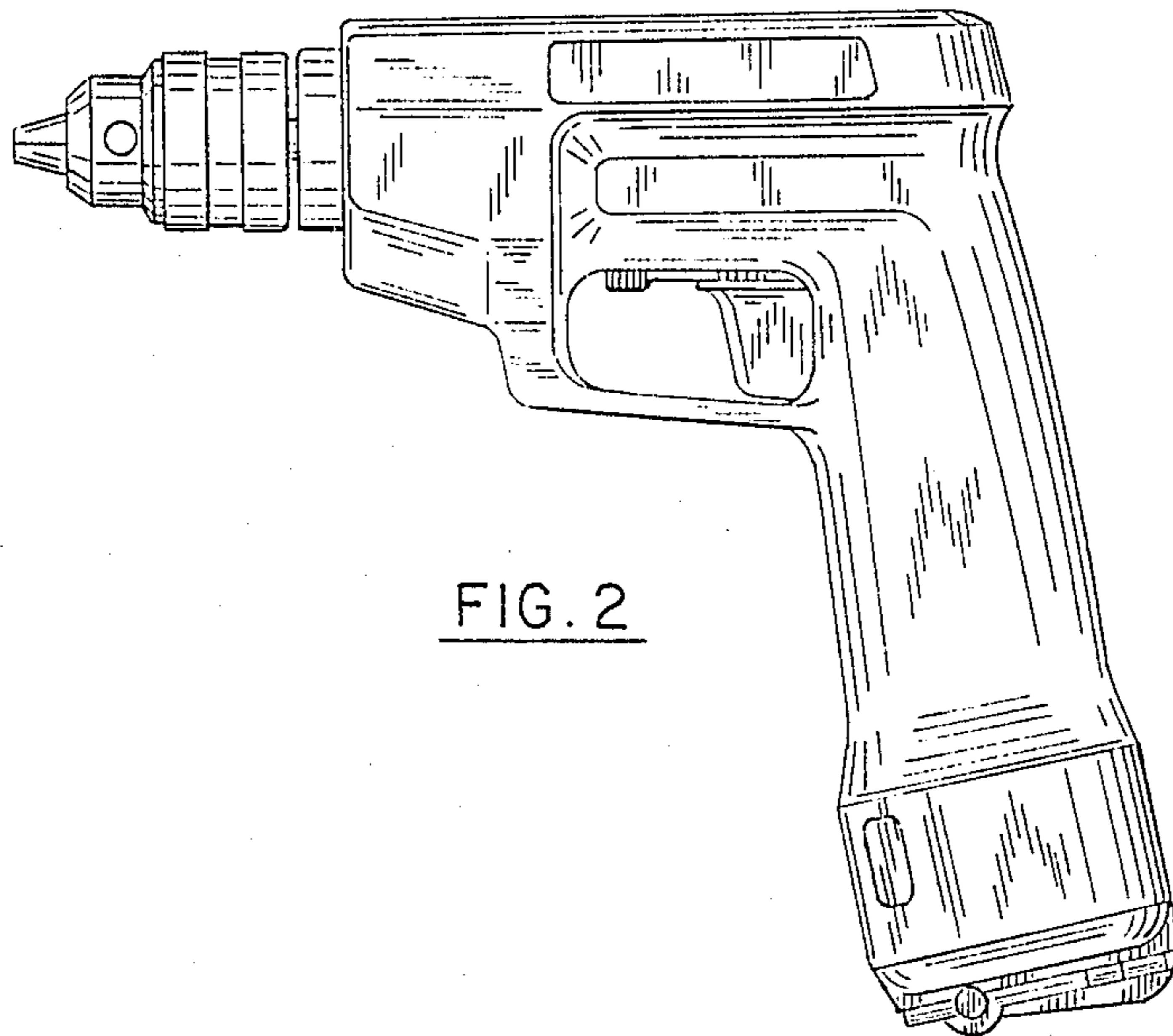


FIG. 2

FIG. 3

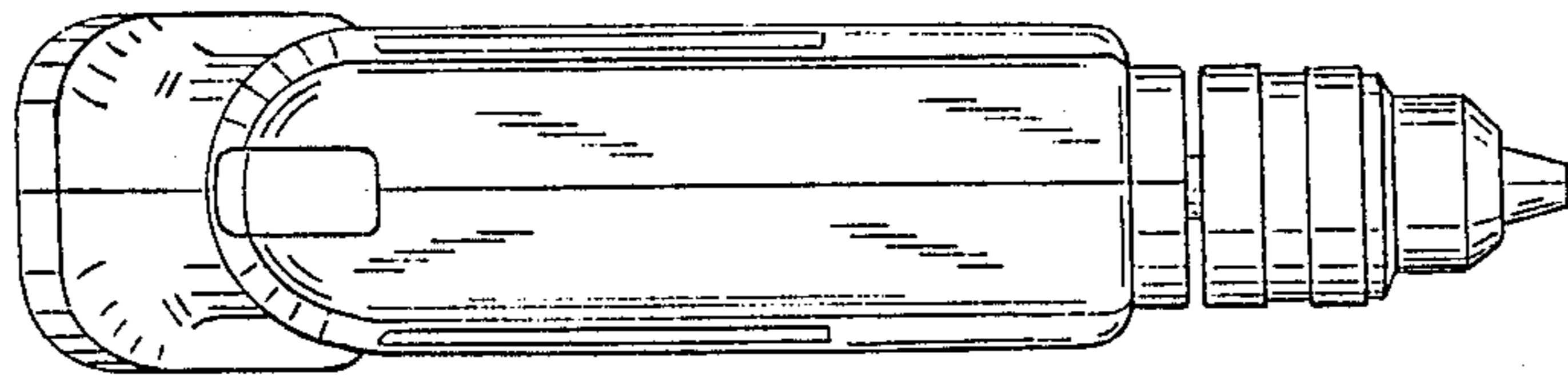


FIG. 4

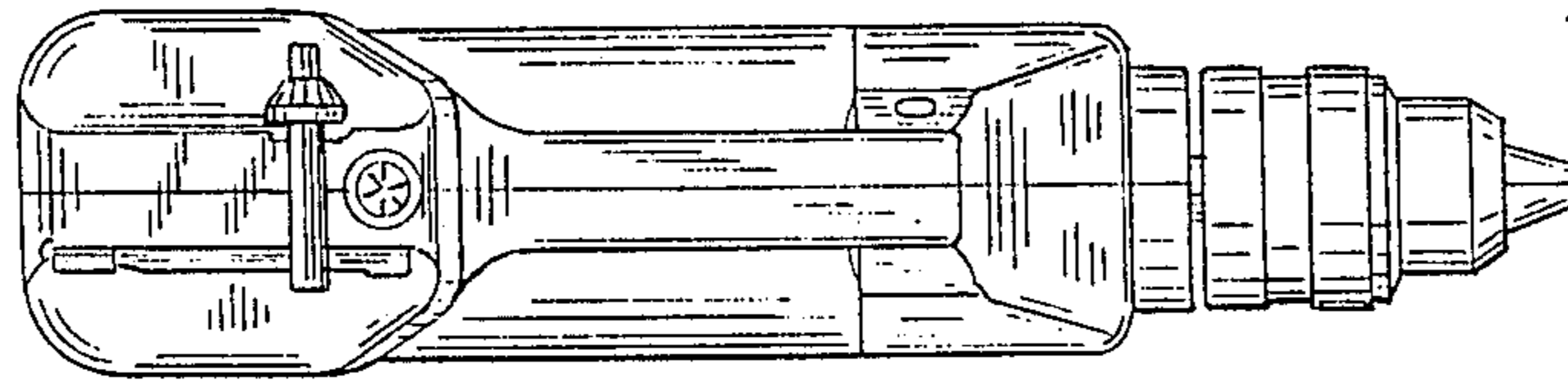


FIG. 5

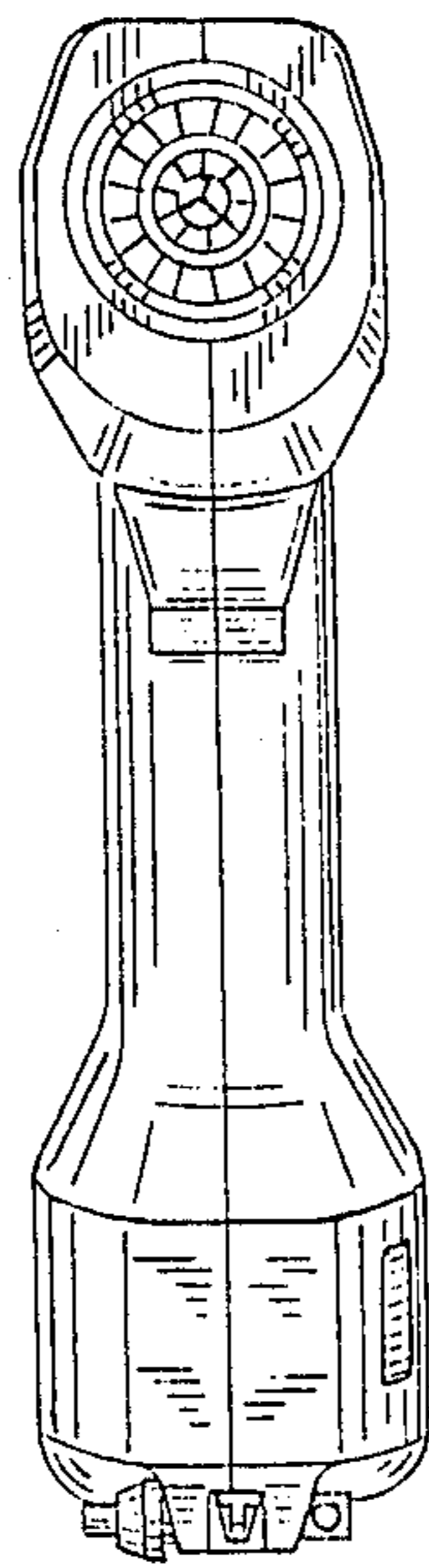


FIG. 6

