

[54] CORDLESS HAND-HELD CUTTER

[75] Inventor: Yasunori Ogawa, Ibaraki, Japan

[73] Assignee: Hitachi Koki Company, Ltd., Tokyo, Japan

[**] Term: 14 Years

[21] Appl. No.: 871,673

[22] Filed: Jun. 5, 1986

[52] U.S. Cl. D8/61; D8/98

[58] Field of Search D8/61-70, D8/98; 30/273, 274; 310/50; 173/170; 81/57.11, 57.13, 57.14; 51/170 R

[56] References Cited

U.S. PATENT DOCUMENTS

D. 266,222	9/1982	Buscher	D8/61
D. 277,451	2/1985	Barnik	D8/64
D. 282,142	1/1986	Siravo	D8/66
2,839,101	6/1958	Bork	30/392
3,668,780	6/1972	Cowdrey	30/273
4,021,914	5/1977	Leibundgut et al.	30/394
4,669,190	6/1987	Innami et al.	30/273

FOREIGN PATENT DOCUMENTS

713192 8/1931 France 30/273

OTHER PUBLICATIONS

Rigid Portable Electric Tools Catalog, Reciprocating Saw.

Primary Examiner—Bruce W. Dunkins
Assistant Examiner—Clare E. Heflin
Attorney, Agent, or Firm—Sughrue, Mion, Zinn Macpeak & Seas

[57] CLAIM

The ornamental design for a cordless hand-held cutter, as shown and described.

DESCRIPTION

FIG. 1 is a front, top and right side perspective view of a cordless hand-held cutter showing my new design; FIG. 2 is a left side elevational view thereof; FIG. 3 is a top plan view thereof; FIG. 4 is a bottom plan view thereof; FIG. 5 is a front elevational view thereof; and FIG. 6 is a rear elevational view thereof.

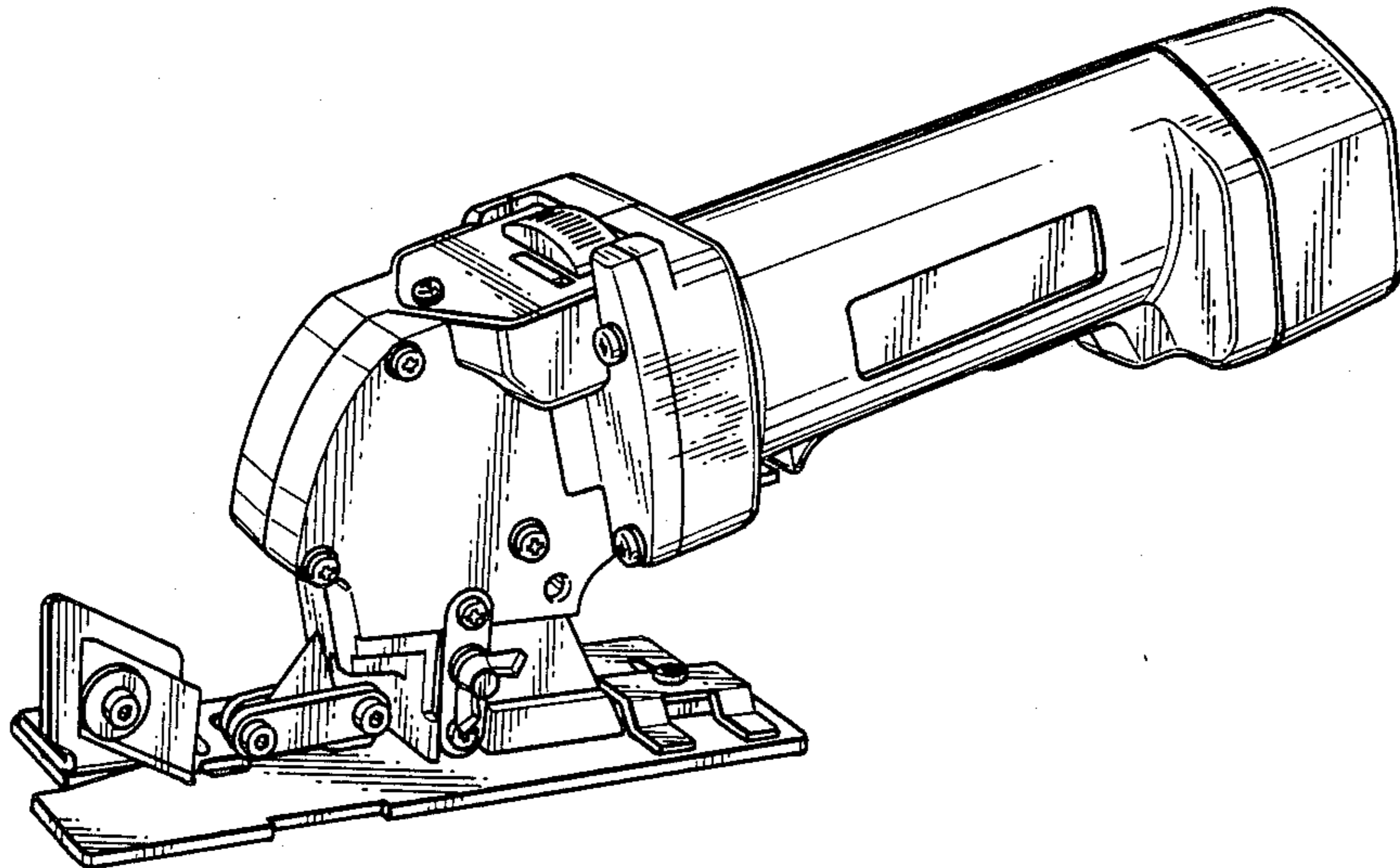


Fig. 1

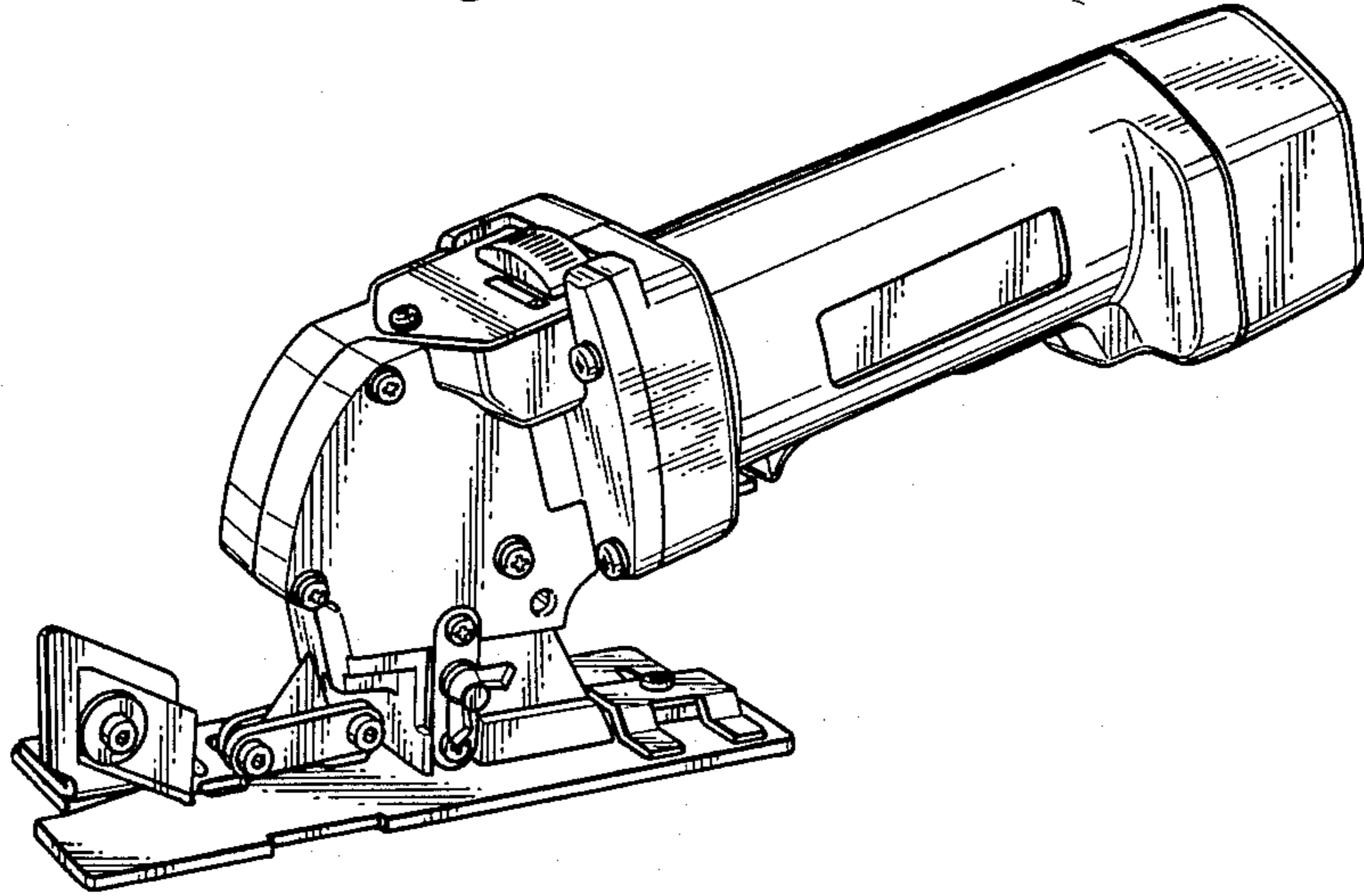


Fig. 2

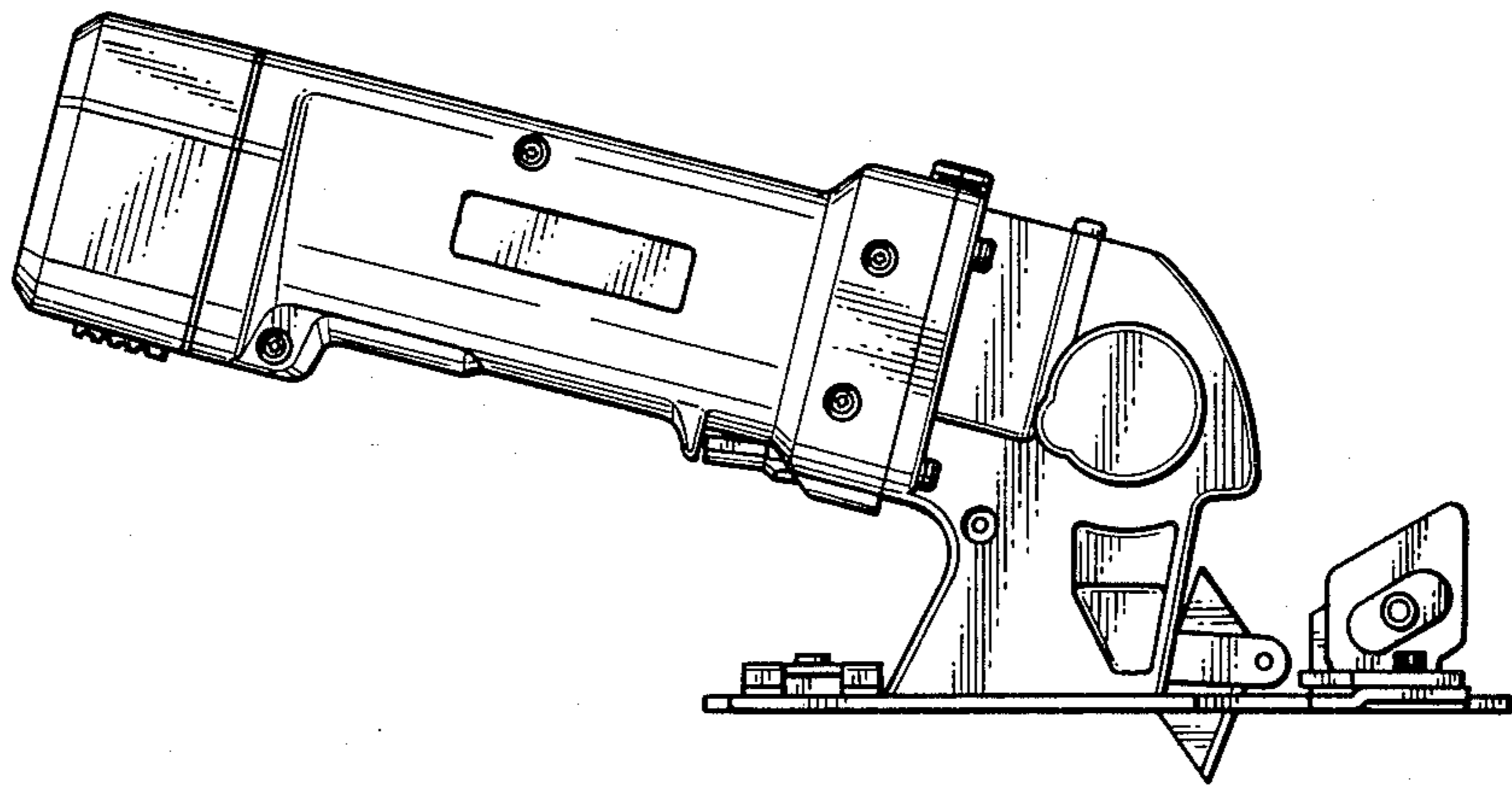


Fig. 3

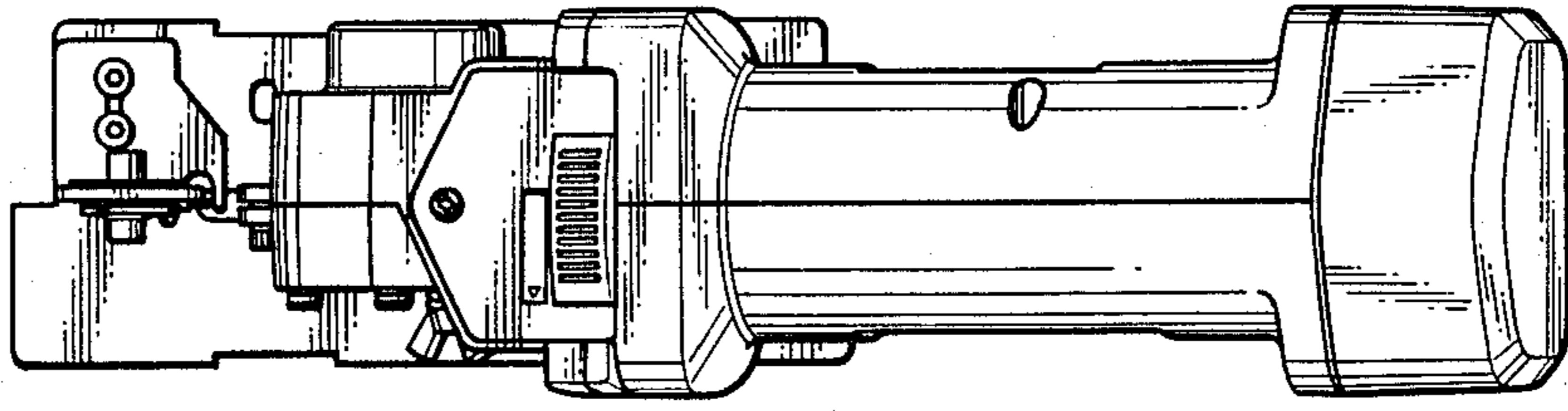


Fig. 4

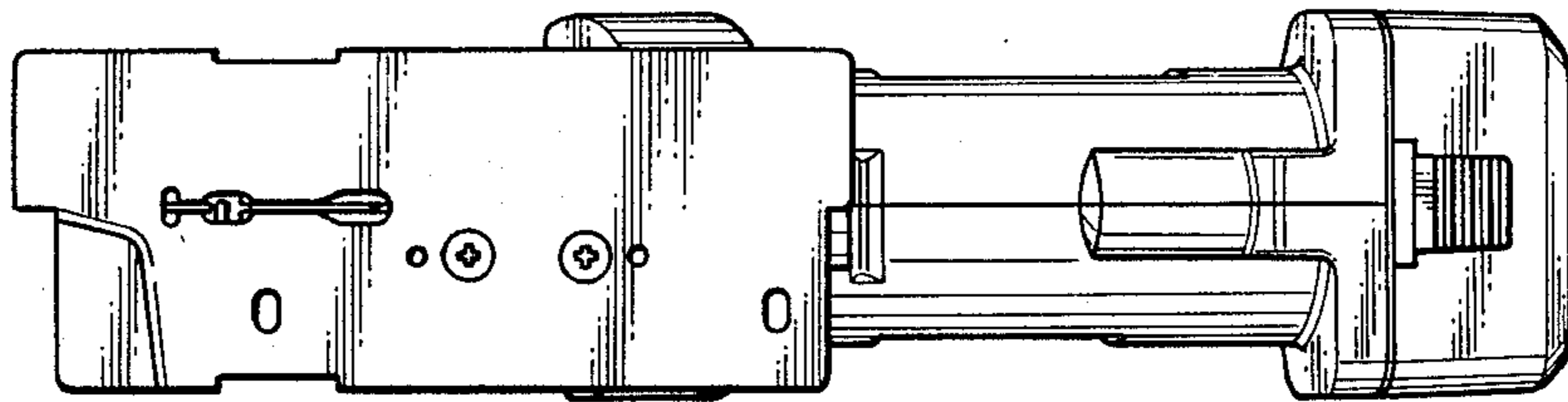


Fig. 5

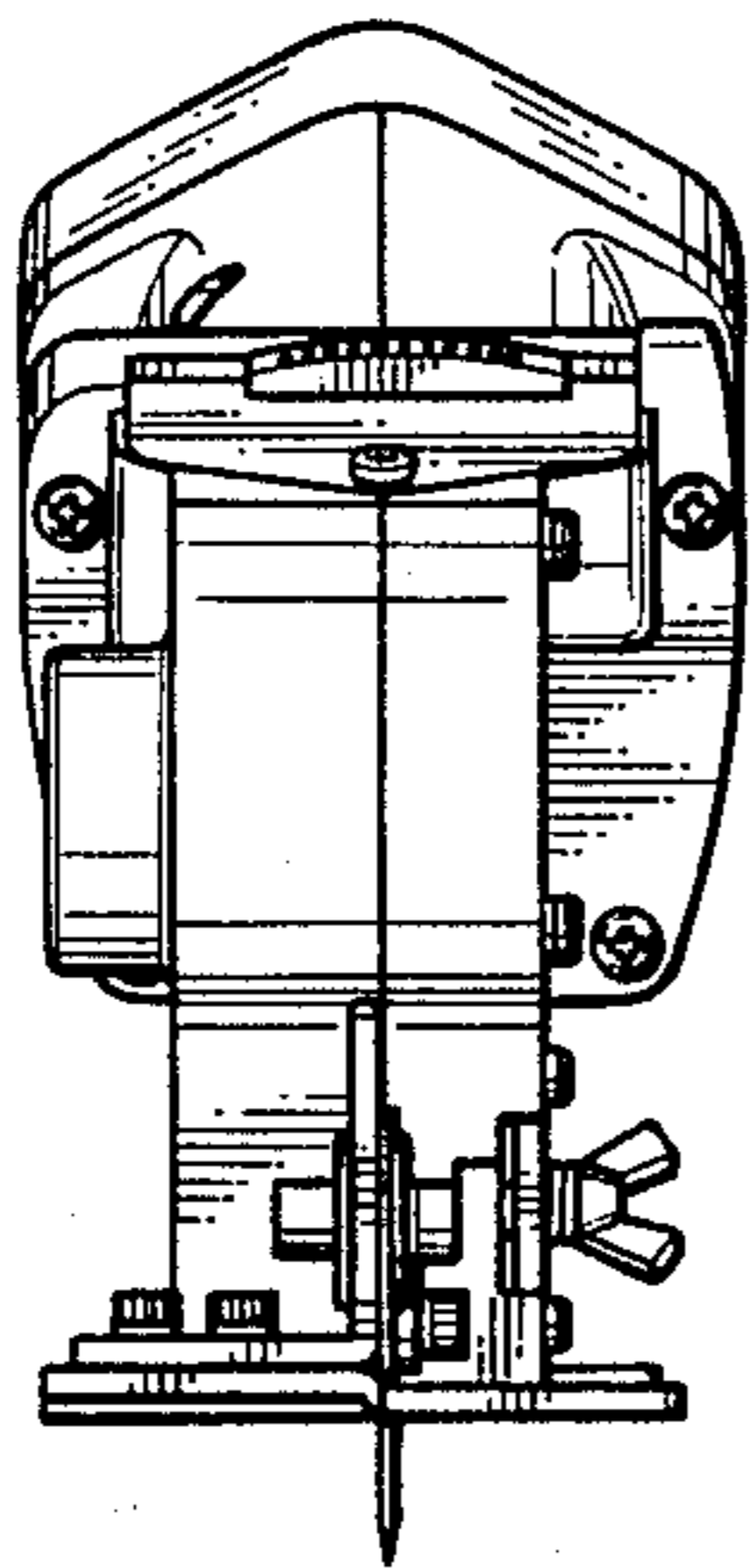


Fig. 6

