

[54] COMBINATION TUB AND PAIL OPENER

2,155,947 4/1939 Low ..... 81/3.55

[75] Inventor: Charles E. Broadus, New Albany, Ind.

Primary Examiner—B. J. Bullock  
Assistant Examiner—Terry A. Pfeffer  
Attorney, Agent, or Firm—Herbert P. Price; David J. Roper

[73] Assignee: Indco Incorporated, New Albany, Ind.

[\*\*] Term: 14 Years

[57] CLAIM

The ornamental design for a tub and pail opener, as shown.

[21] Appl. No.: 904,224

[22] Filed: Sep. 5, 1986

[52] U.S. Cl. .... D8/40

[58] Field of Search ..... D8/40, 18, 33, 39, 88, D8/89, 105; 81/3.44, 3.27, 3.55, 3.07, 3.4, 3.57; 7/151

DESCRIPTION

FIG. 1 is a top, front and right side perspective view of a combination tub and pail opener showing my new design;

FIG. 2 is a front elevational view thereof;

FIG. 3 is a right side elevational view thereof;

FIG. 4 is a bottom plan view thereof.

FIG. 5 is a top, front, left side perspective view thereof; and

FIG. 6 is a rear elevational view thereof.

[56] References Cited

U.S. PATENT DOCUMENTS

- D. 252,849 9/1979 Weiss ..... D8/40 X
- D. 256,323 8/1980 Obland ..... D8/18



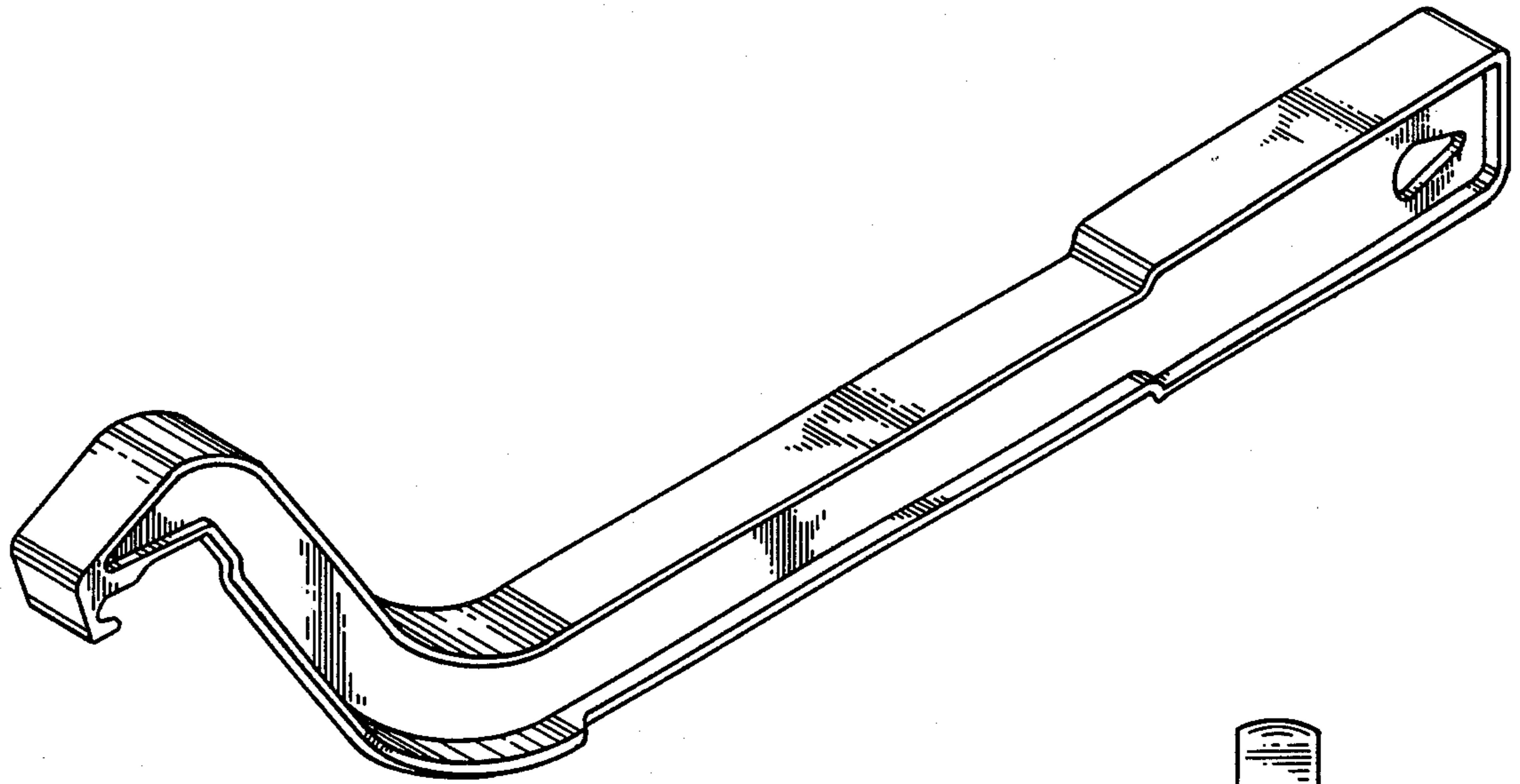


FIG. 1

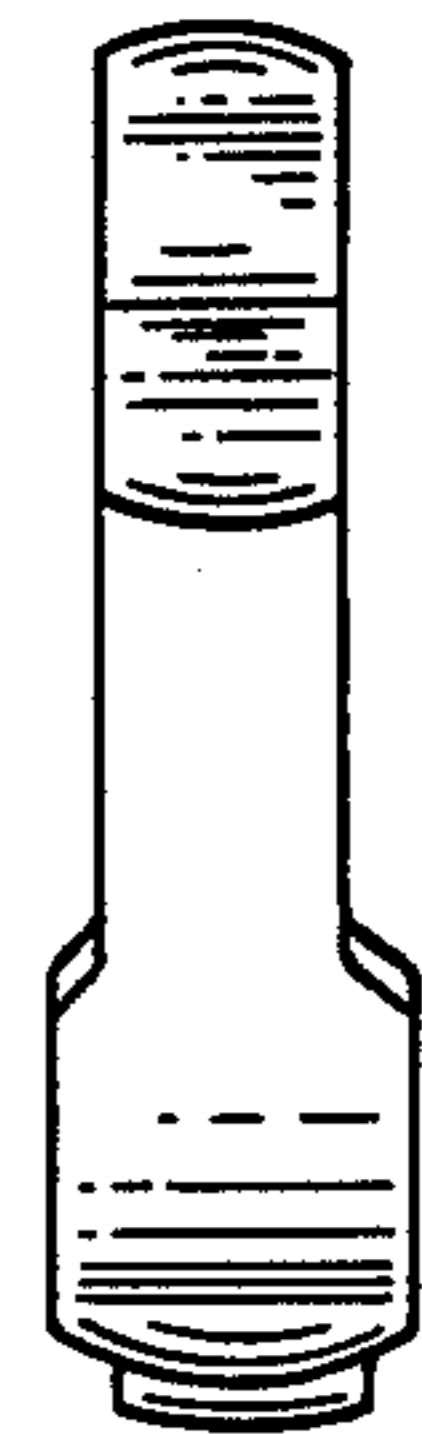


FIG. 2

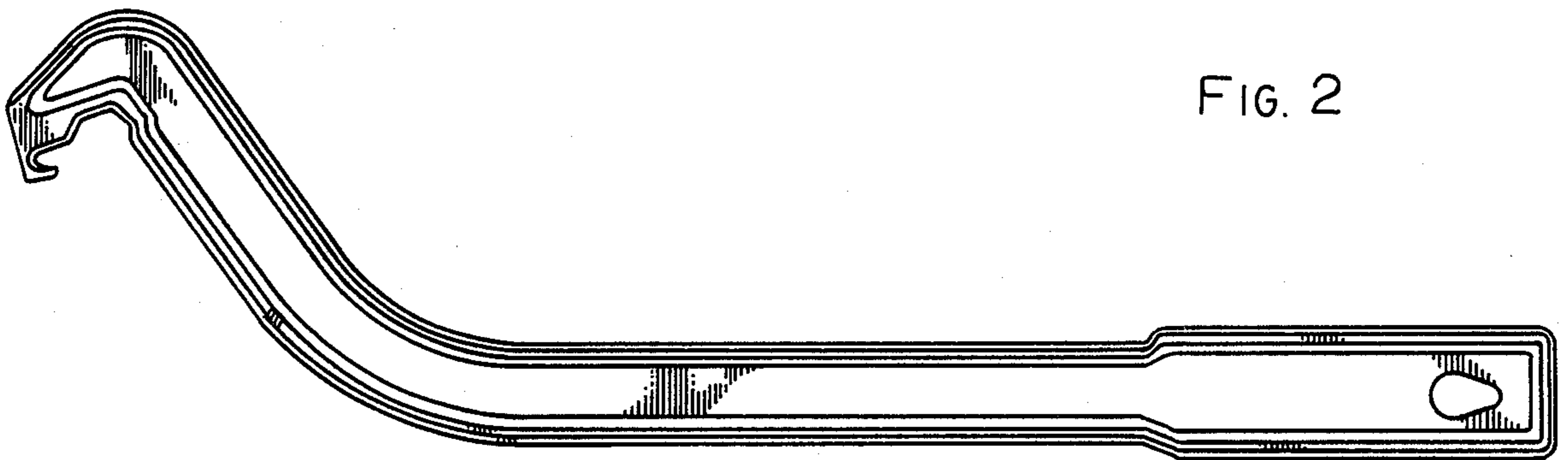


FIG. 3

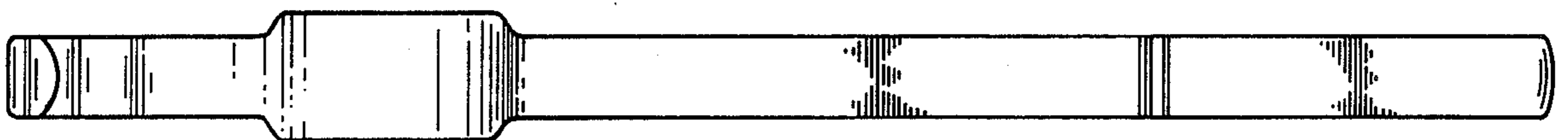


FIG. 4

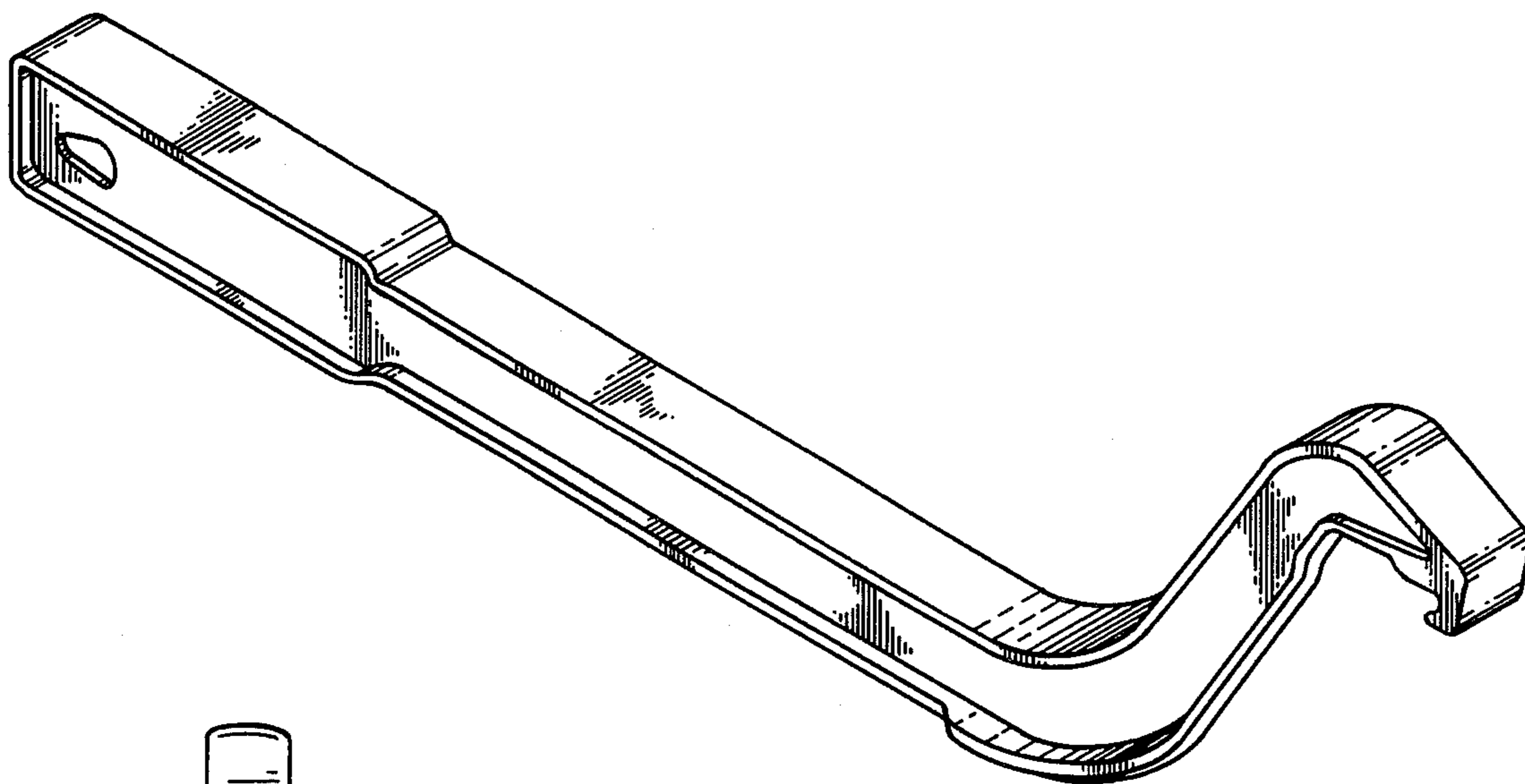


FIG. 5

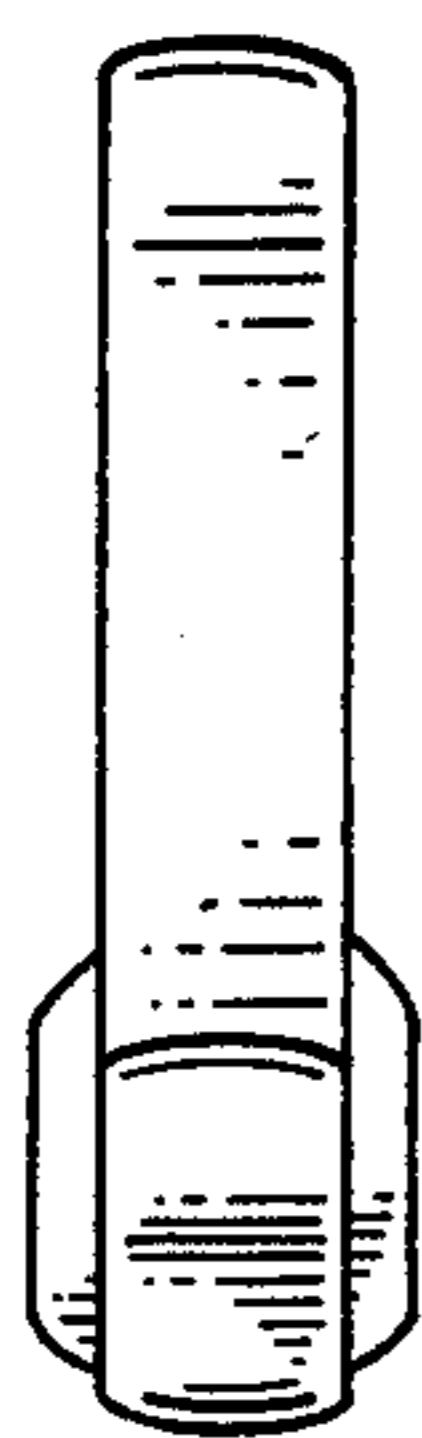


FIG. 6