

[54] JAR OPENER

[76] Inventor: Stoney Nuss, R.R. 2, Box 115, Rensselaer, Ind. 47978

[**] Term: 14 Years

[21] Appl. No.: 834,037

[22] Filed: Feb. 18, 1986

[52] U.S. Cl. D8/36

[58] Field of Search D8/36, 33; 81/3.07, 81/3.09; 7/151

[56] References Cited

U.S. PATENT DOCUMENTS

- D. 292,478 10/1987 Friedline D8/33
- 3,950,801 4/1976 Morrison .
- 4,102,226 7/1978 McGuire .
- 4,519,276 5/1985 Grabarski .

Primary Examiner—Bernard Ansher
Assistant Examiner—Terry A. Pfeffer
Attorney, Agent, or Firm—Terry M. Gernstein

[57] CLAIM

The ornamental design for a jar opener, as shown and described.

DESCRIPTION

FIG. 1 is a perspective view of a jar opener showing my new design.

FIG. 2 is a top plan view thereof.

FIG. 3 is a front elevation view thereof.

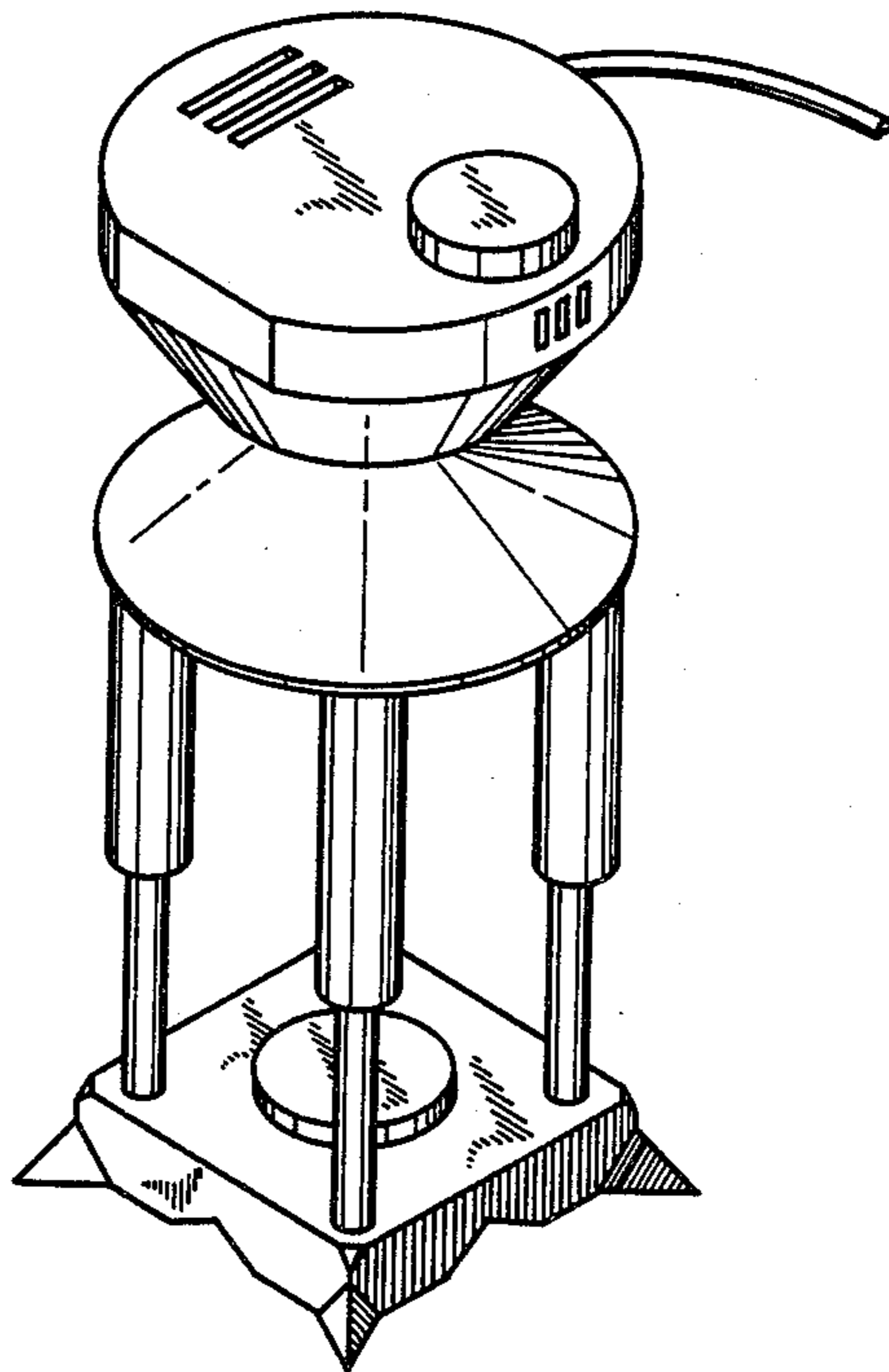
FIG. 4 is a right side elevational view thereof;

FIG. 5 is a cross-sectional view taken along line 5—5 of FIG. 3;

FIG. 6 is a bottom plan view thereof;

FIG. 7 is a left side elevational view thereof; and

FIG. 8 is a rear elevational view thereof.



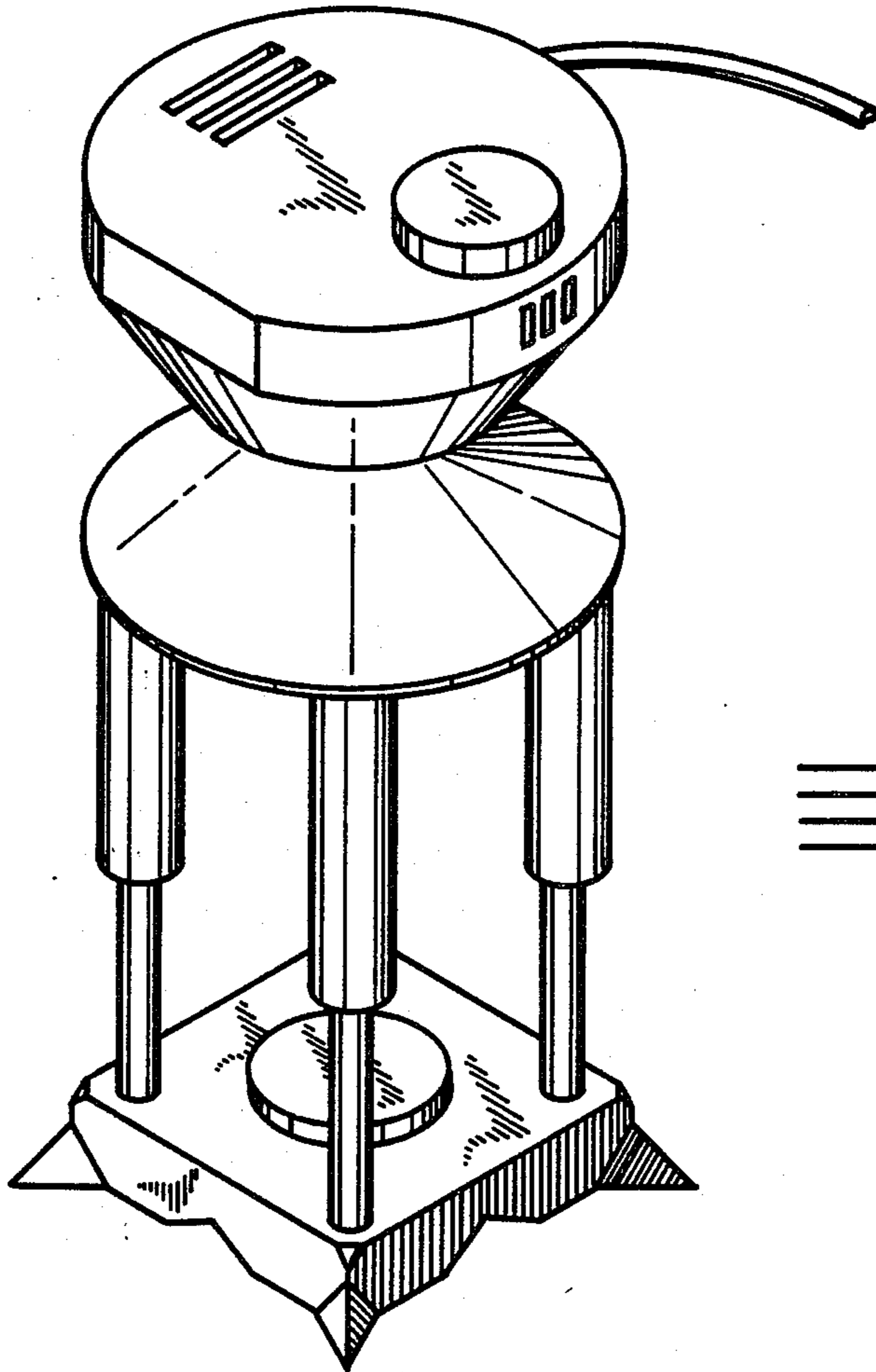


Fig. 1

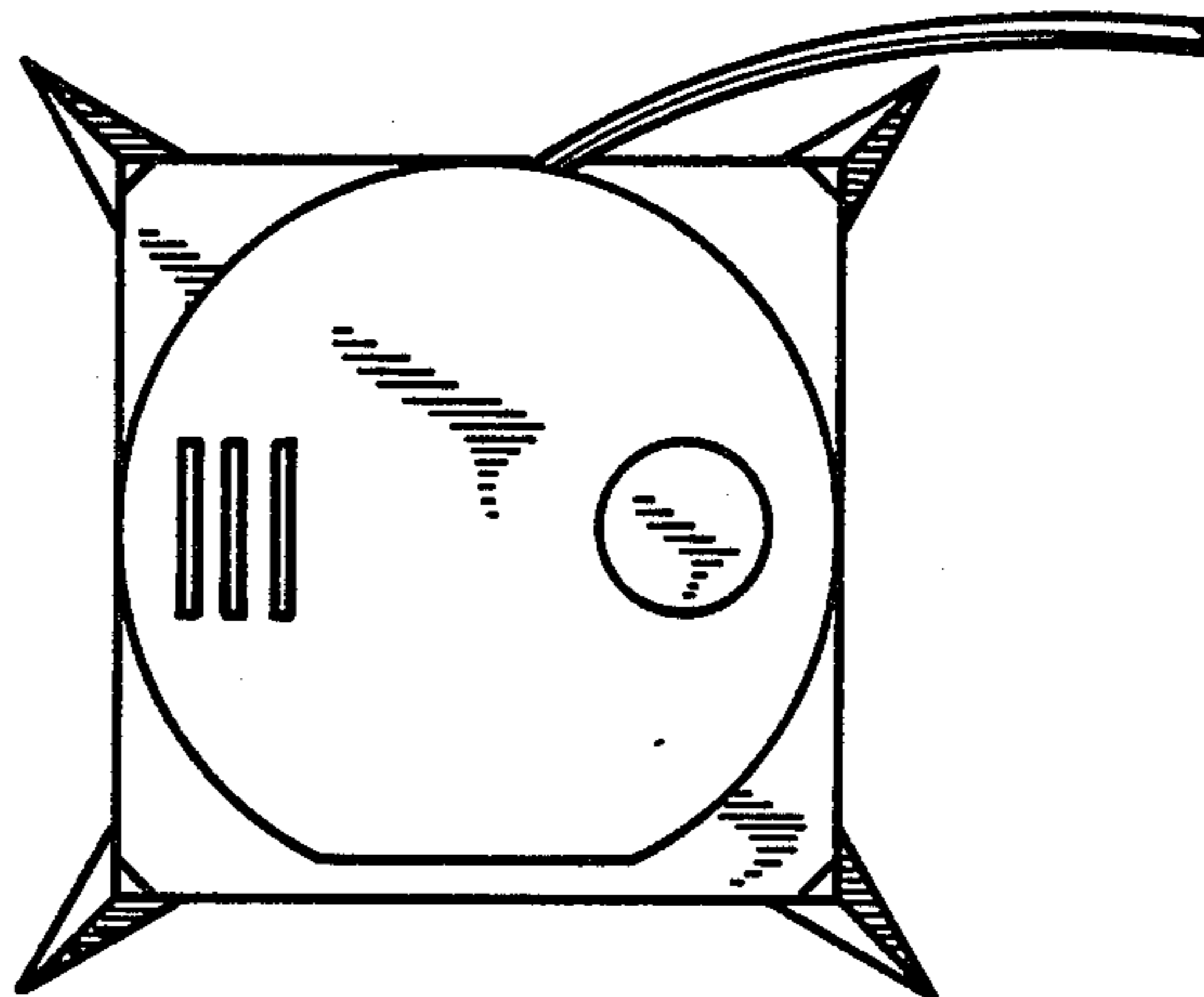


Fig. 2

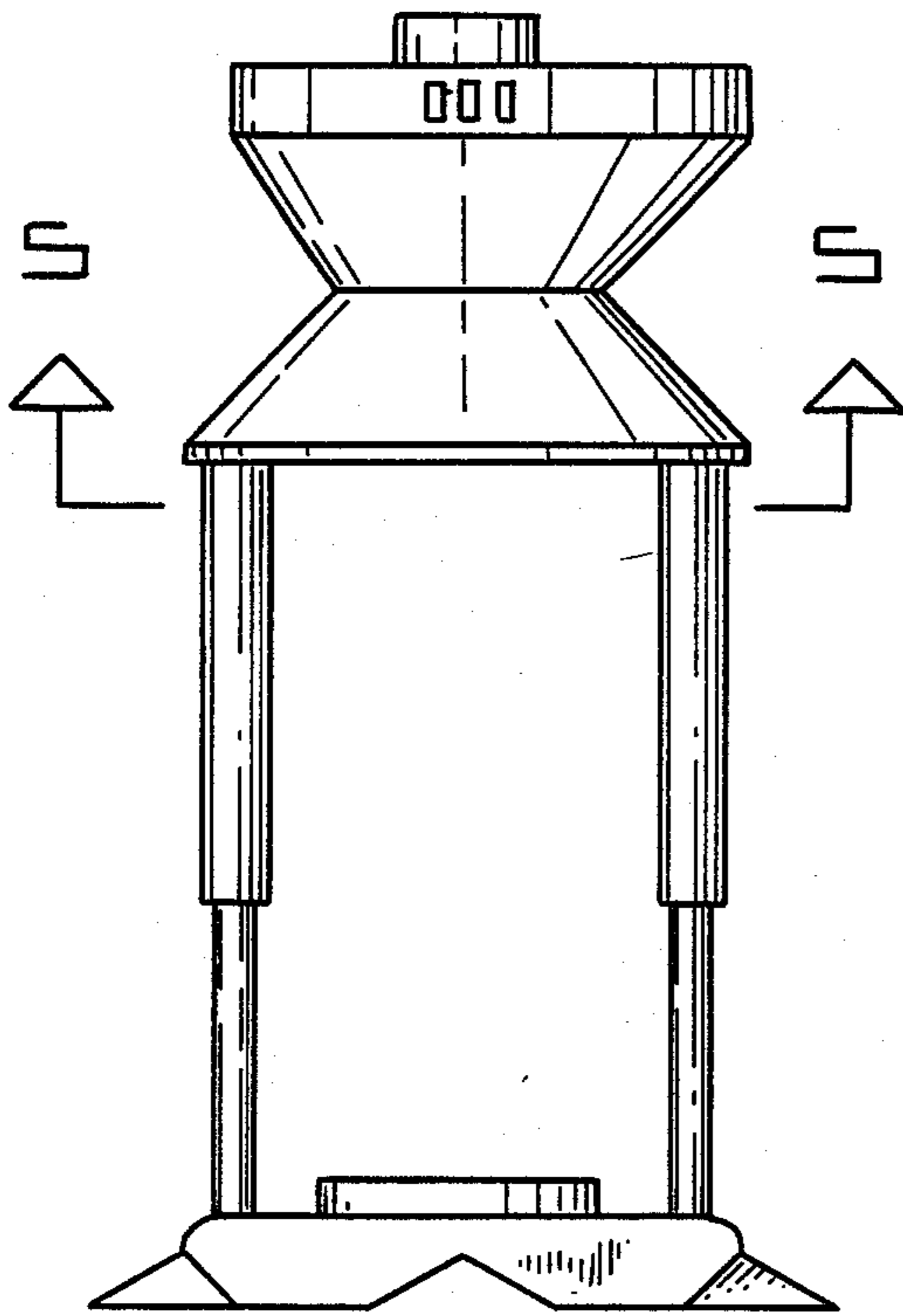


Fig. 3

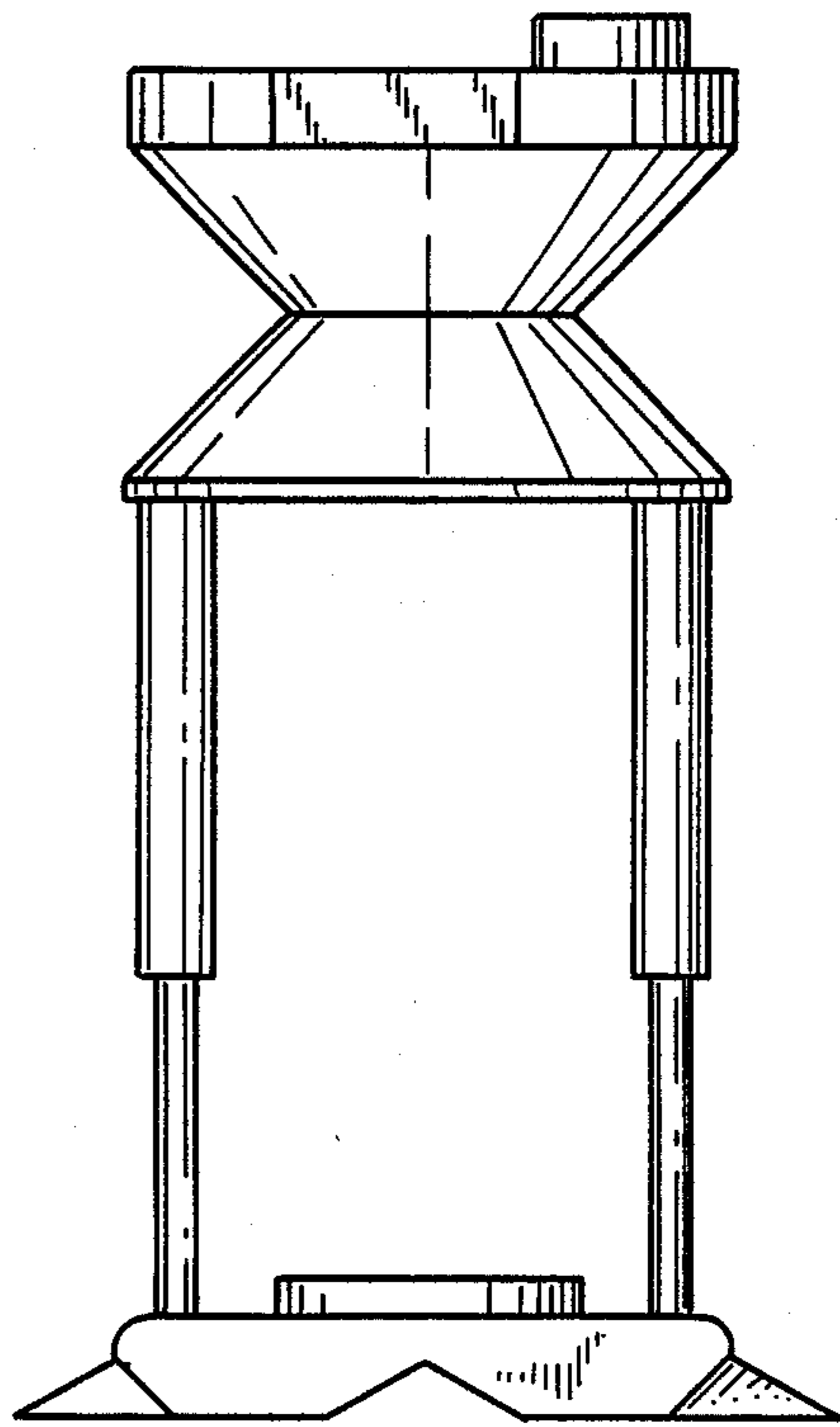


Fig. 4

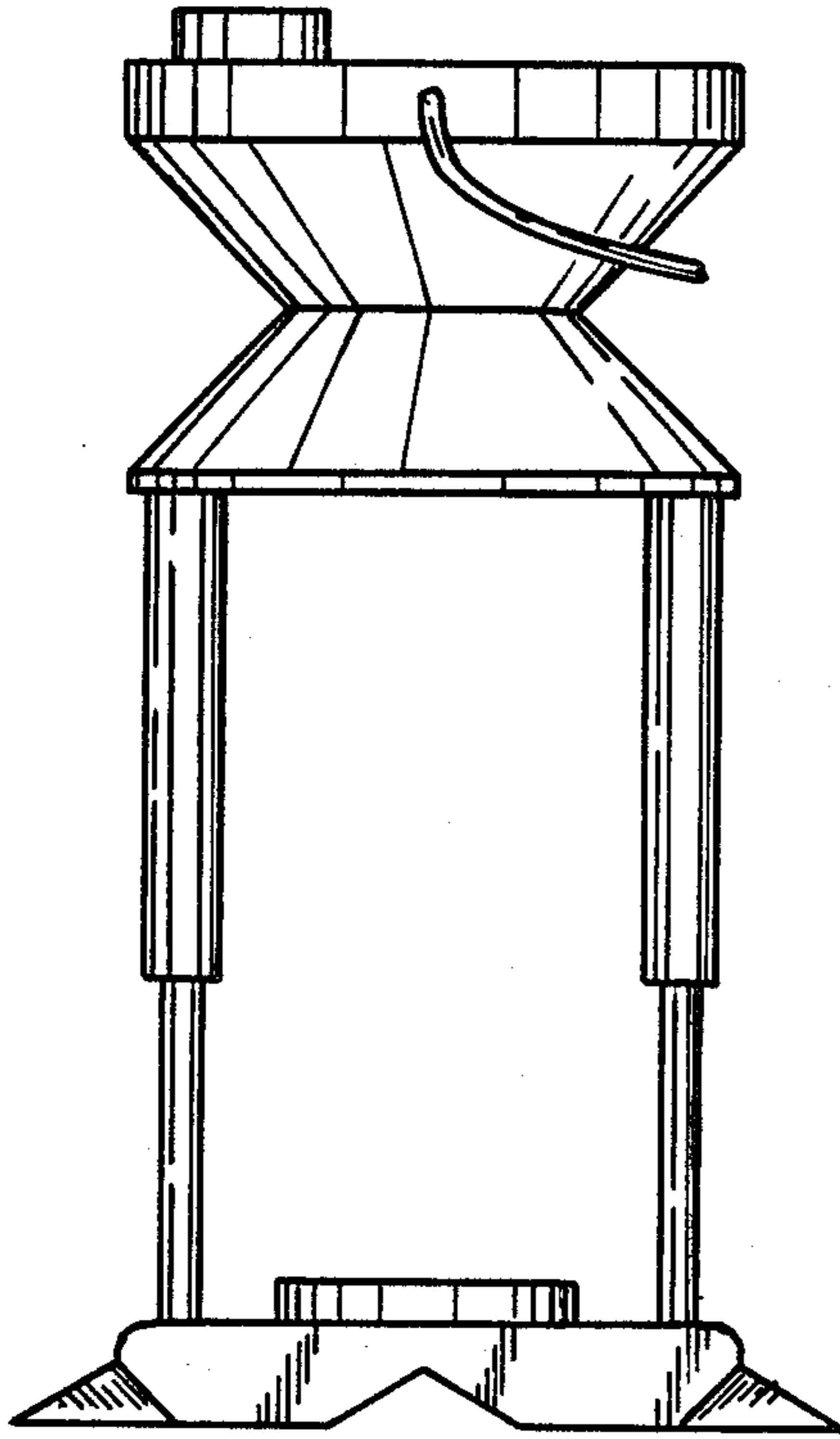


Fig. 8

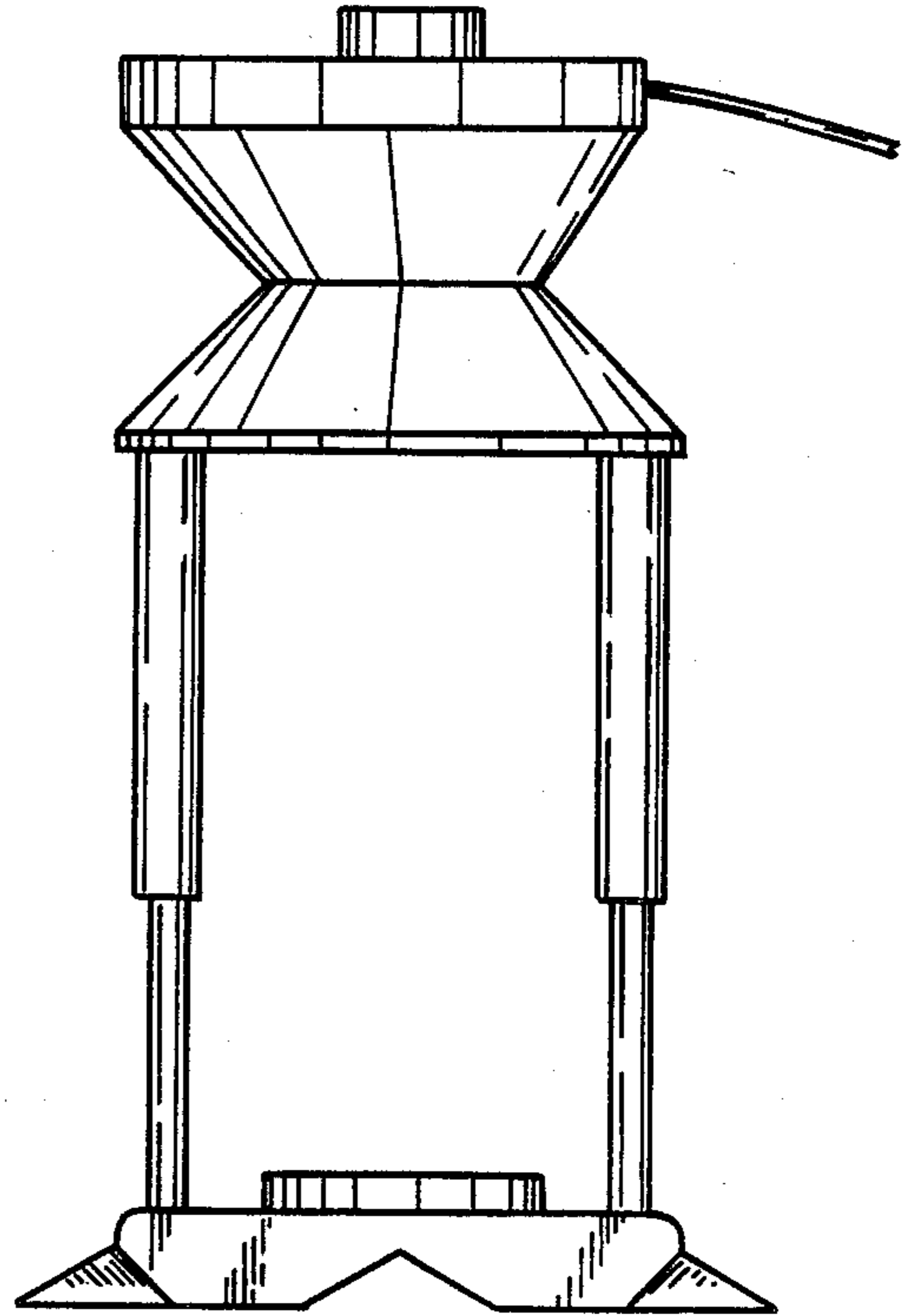


Fig. 7

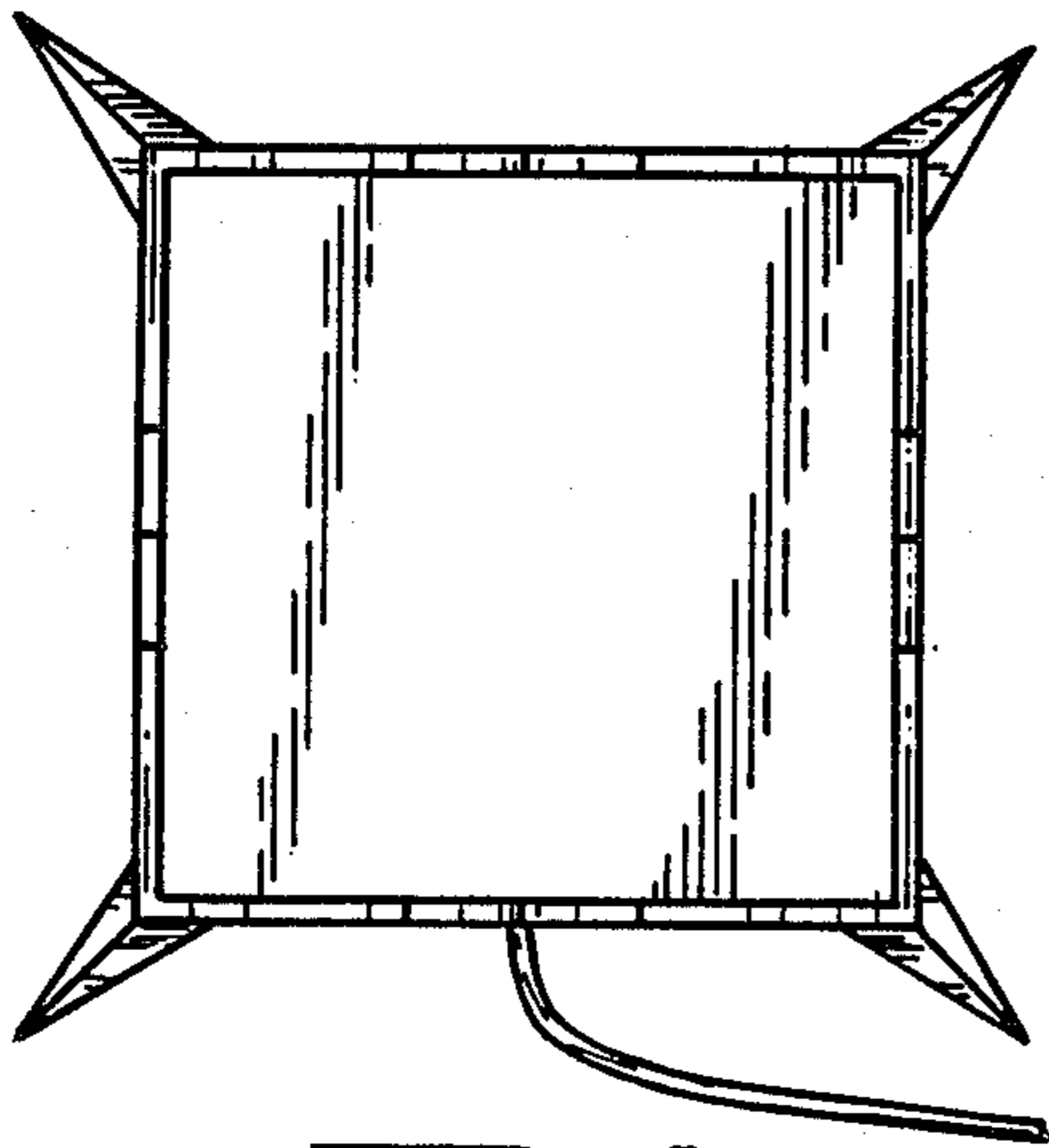


Fig. 6

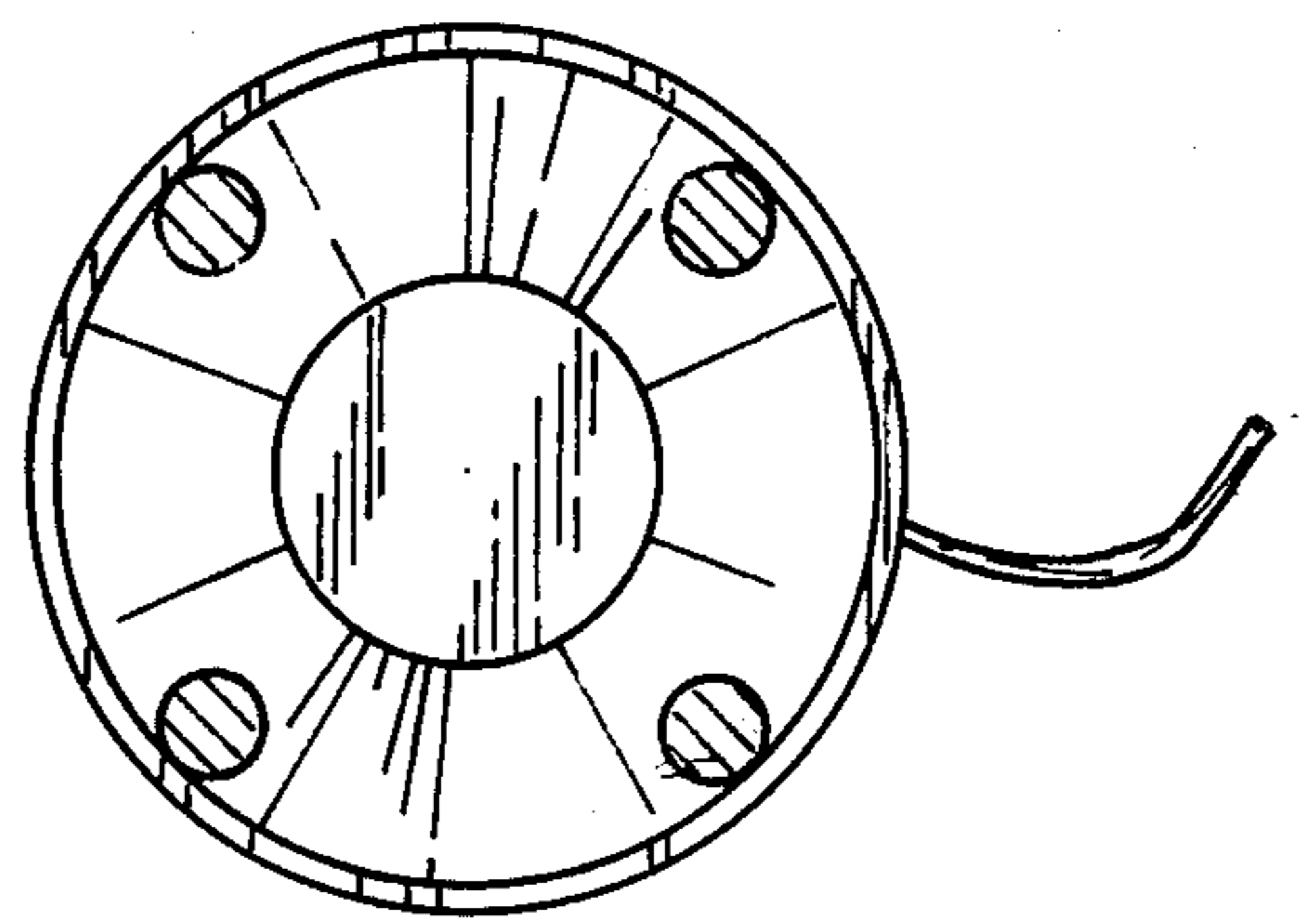


Fig. 5