

[54] COMBINED TOOTHBRUSH AND TUMBLER HOLDER

[75] Inventors: Peter S. Fayerman, Bryn Mawr; Leslie A. Meck, Blandan, both of Pa.

[73] Assignee: Baldwin Hardware Corporation, Reading, Pa.

[*] Notice: The portion of the term of this patent subsequent to Dec. 27, 2002 has been disclaimed.

[**] Term: 14 Years

[21] Appl. No.: 789,170

[22] Filed: Oct. 18, 1985

[52] U.S. Cl. D6/531; D6/534; D6/535

[58] Field of Search D6/567, 572, 574, 531, D6/534, 535; D8/352, 381; 248/309 R, 311.2, 312, 110; 211/13, 60.1, 65, 87, 90

[56] References Cited

U.S. PATENT DOCUMENTS

- D. 204,801 5/1966 Rhoades D8/352
- D. 262,922 2/1982 Fleischmann et al. D6/531
- D. 272,589 2/1984 Shames et al. D6/531

OTHER PUBLICATIONS

One page from Auburn Brass Brochure; Tumbler Holder, #1285, (undated).

J. C. De Jong & Co. Cat. 704; p. C-1; ornament 1905, (second from left).

Auburn Brass Decorator Collection; 7/1/83; p. 3; Soap Dish, 1064.

Primary Examiner—B. J. Bullock

Attorney, Agent, or Firm—Steven L. Permut; Malcolm L. Sutherland

[57] CLAIM

The ornamental design for a combined toothbrush and tumbler holder, as shown and described.

DESCRIPTION

FIG. 1 is a perspective view of a combined toothbrush and tumbler holder showing our new design;

FIG. 2 is a top plan view thereof;

FIG. 3 is a front elevational view thereof;

FIG. 4 is a right side elevational view thereof, the left side being a mirror image;

FIG. 5 is a bottom plan view thereof;

FIG. 6 is a perspective view of a second embodiment of the design of FIG. 1;

FIG. 7 is a top plan view of FIG. 6;

FIG. 8 is a front elevational view of FIG. 6;

FIG. 9 is a right side elevational view of FIG. 6, the left side being a mirror image;

FIG. 10 is a bottom plan view of FIG. 6.

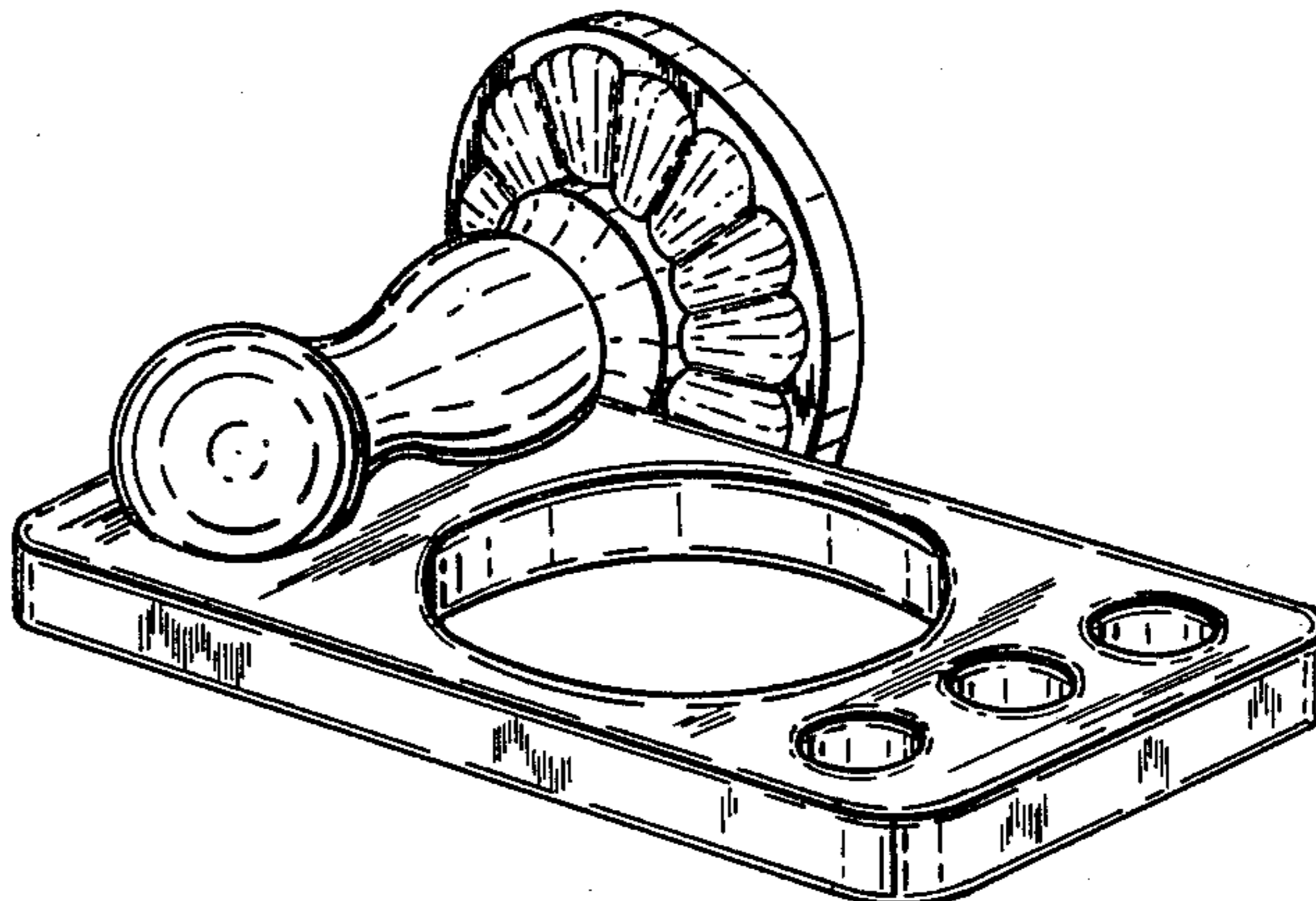
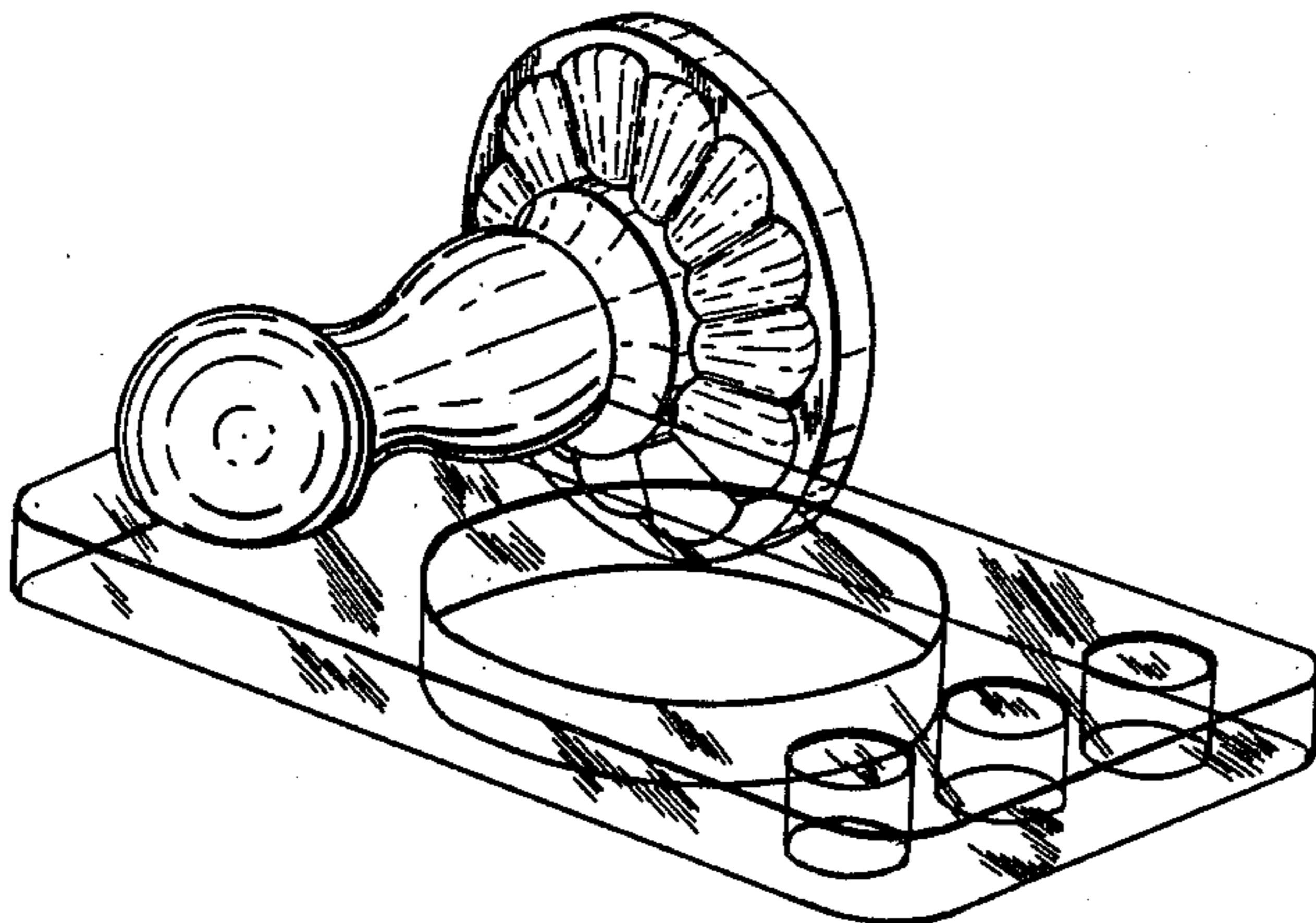


FIG. 1.

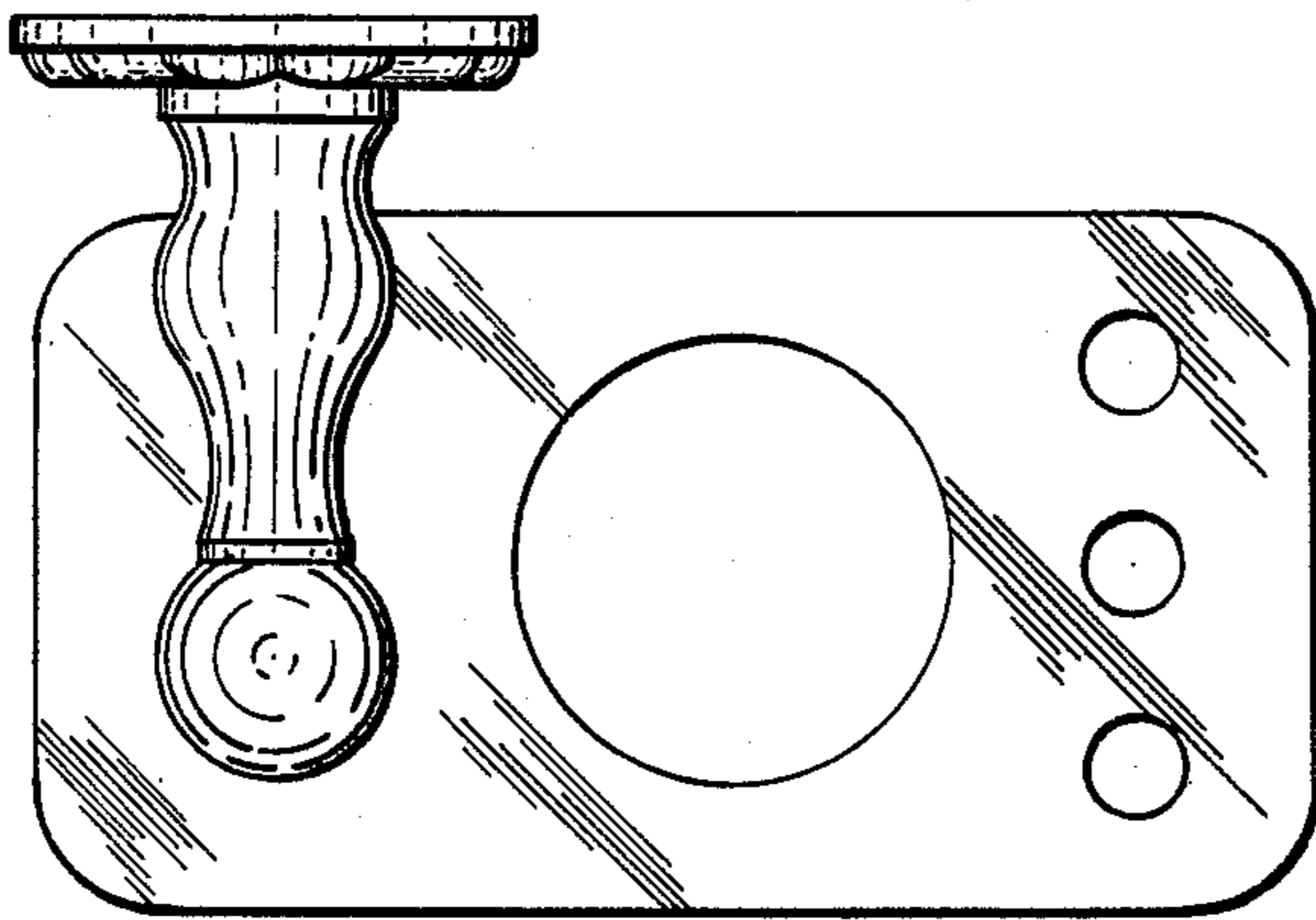
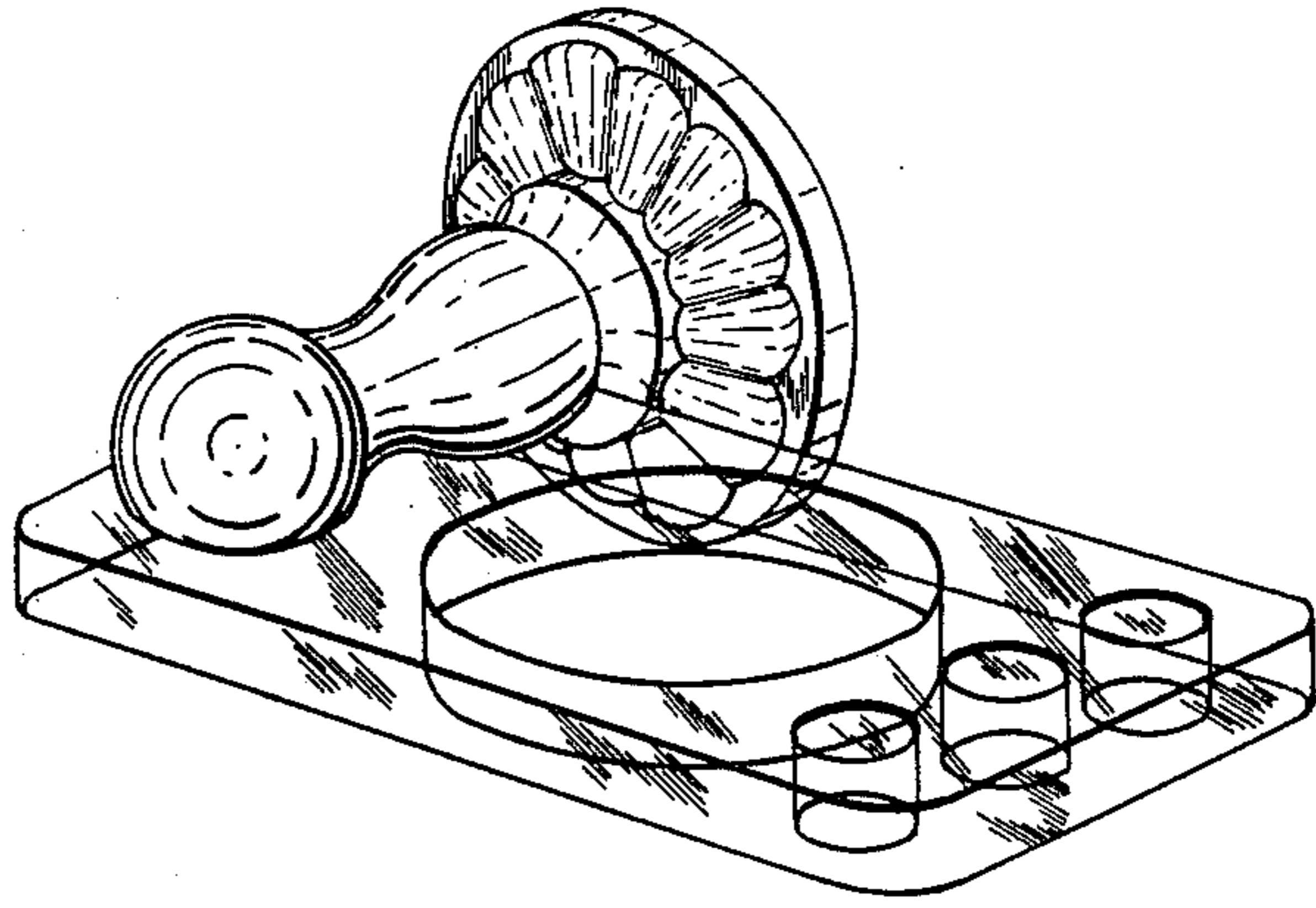


FIG. 2.

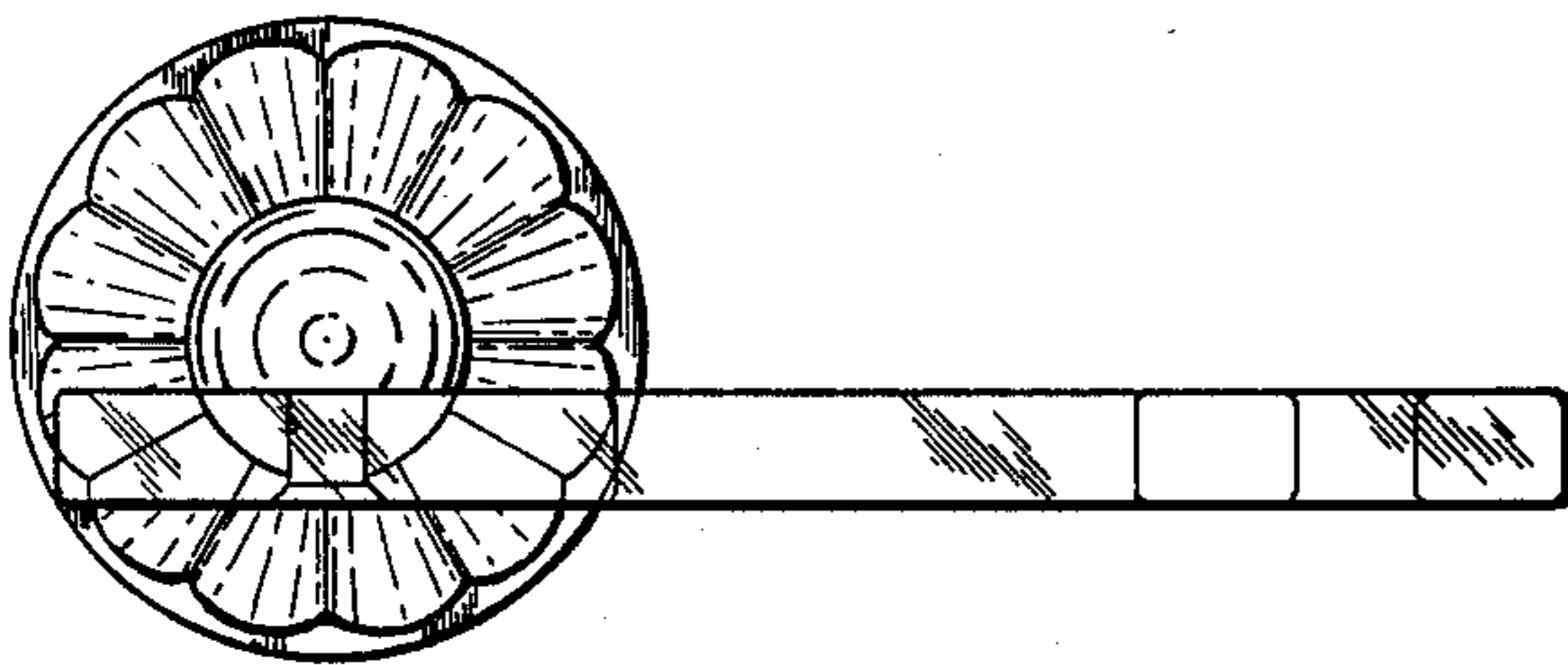


FIG. 3.

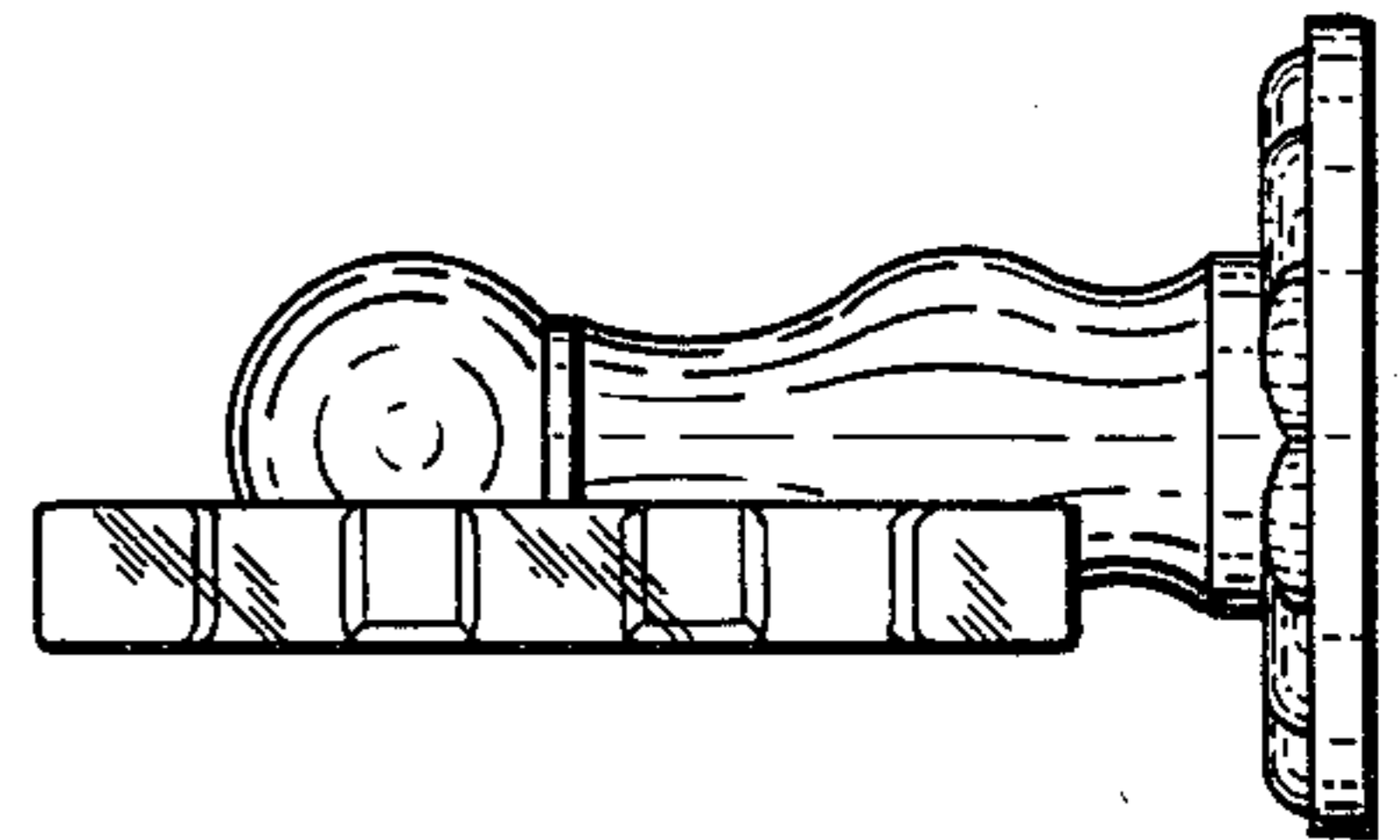


FIG. 4.

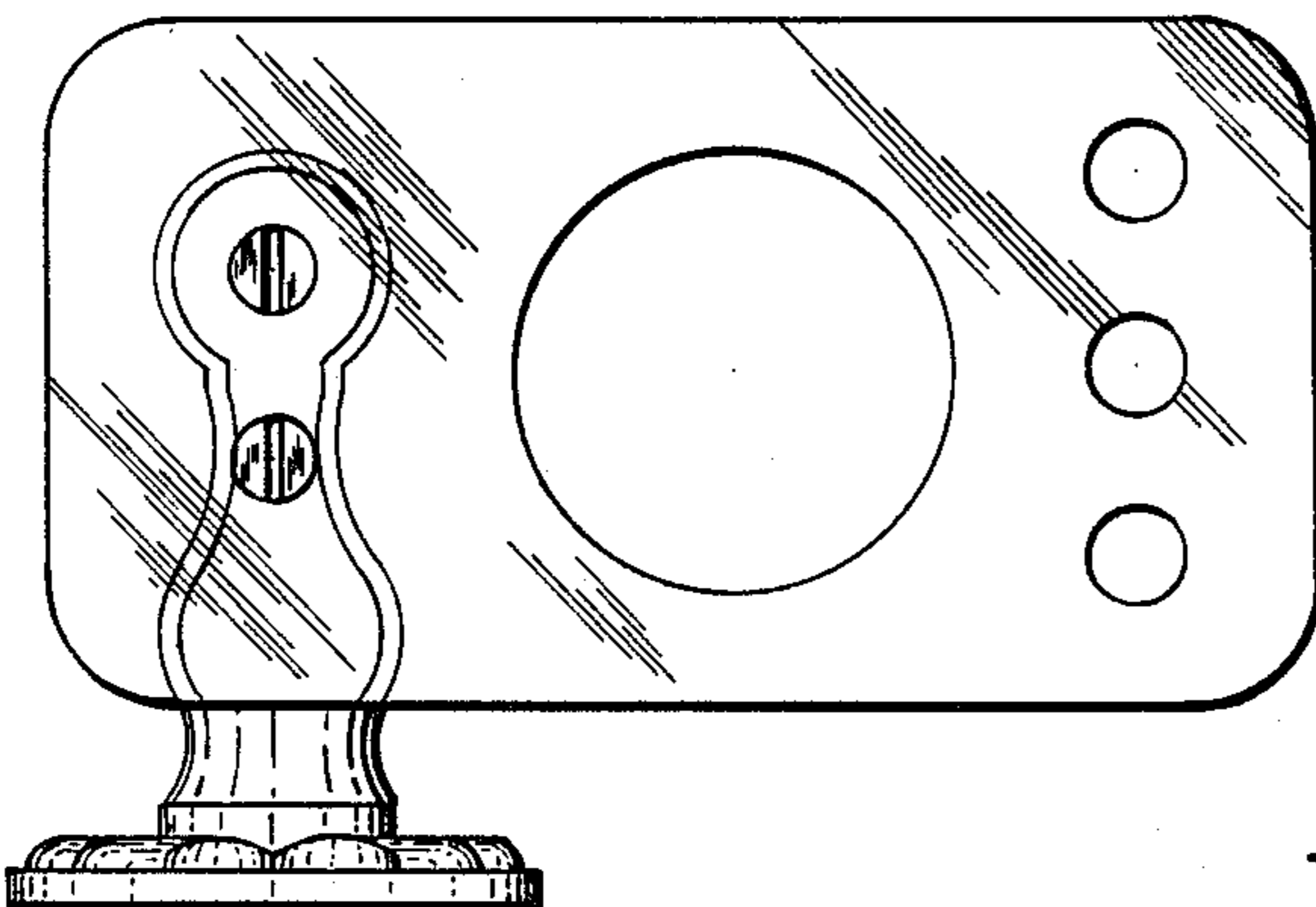


FIG. 5.

FIG. 6.

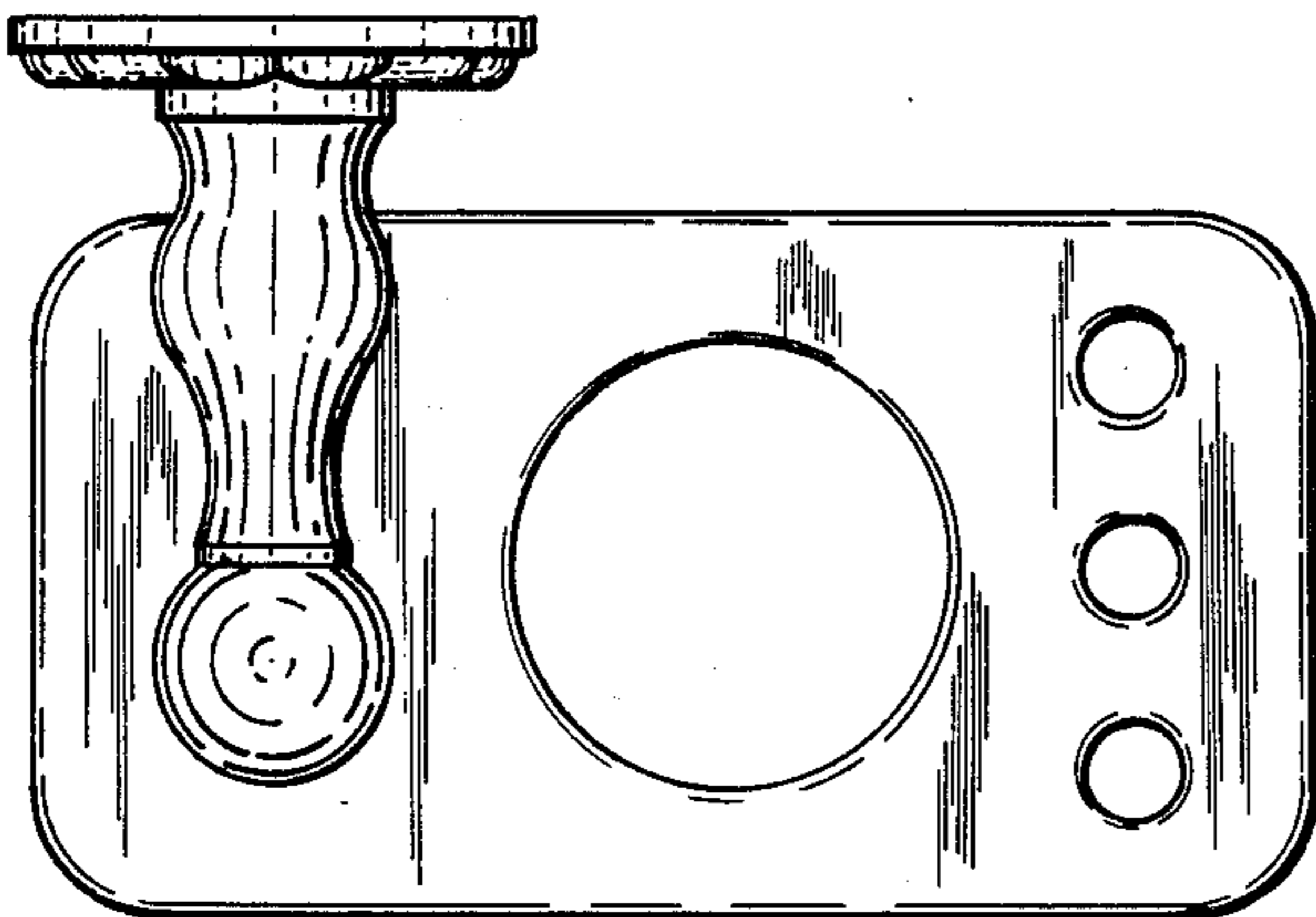
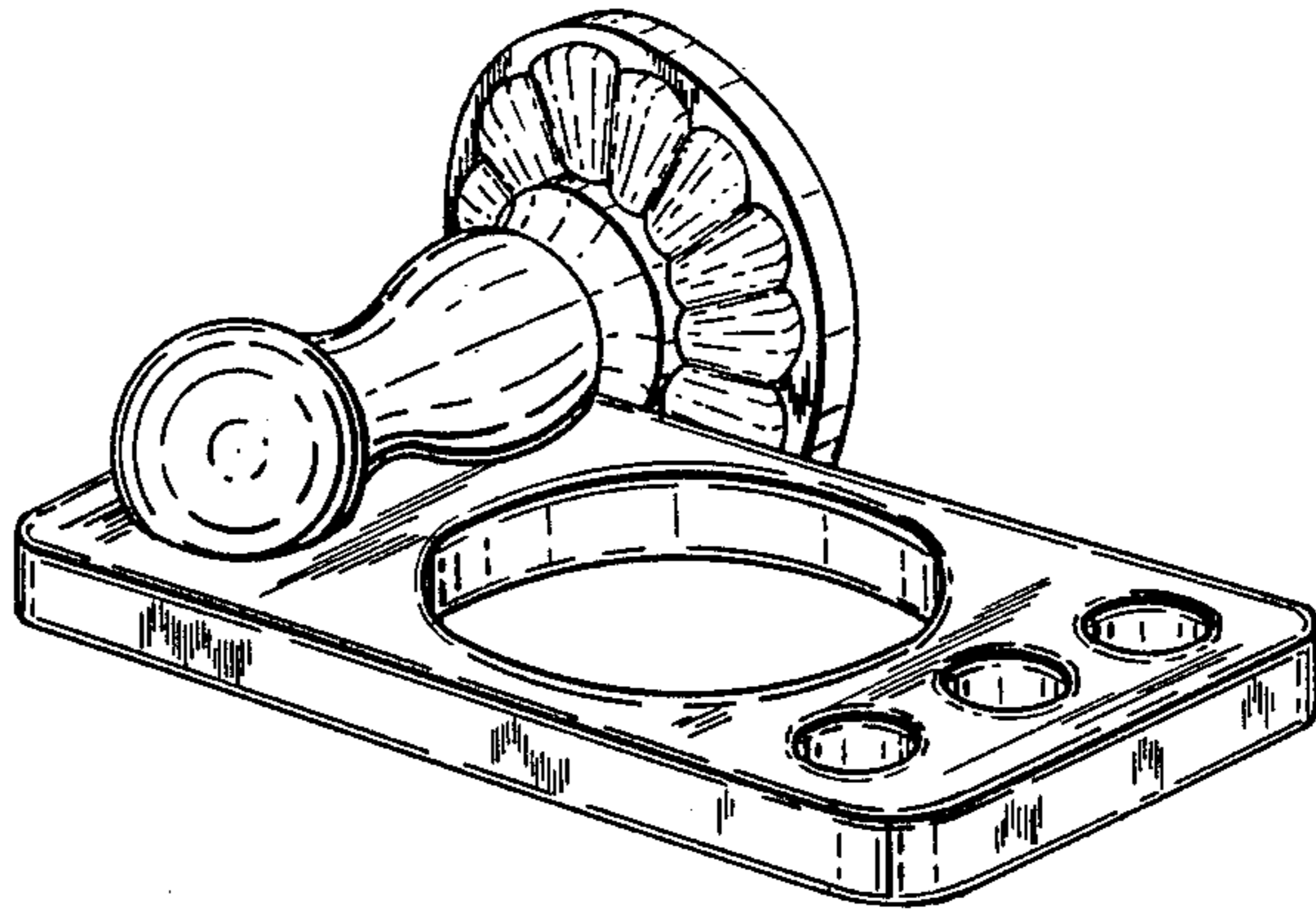


FIG. 7.

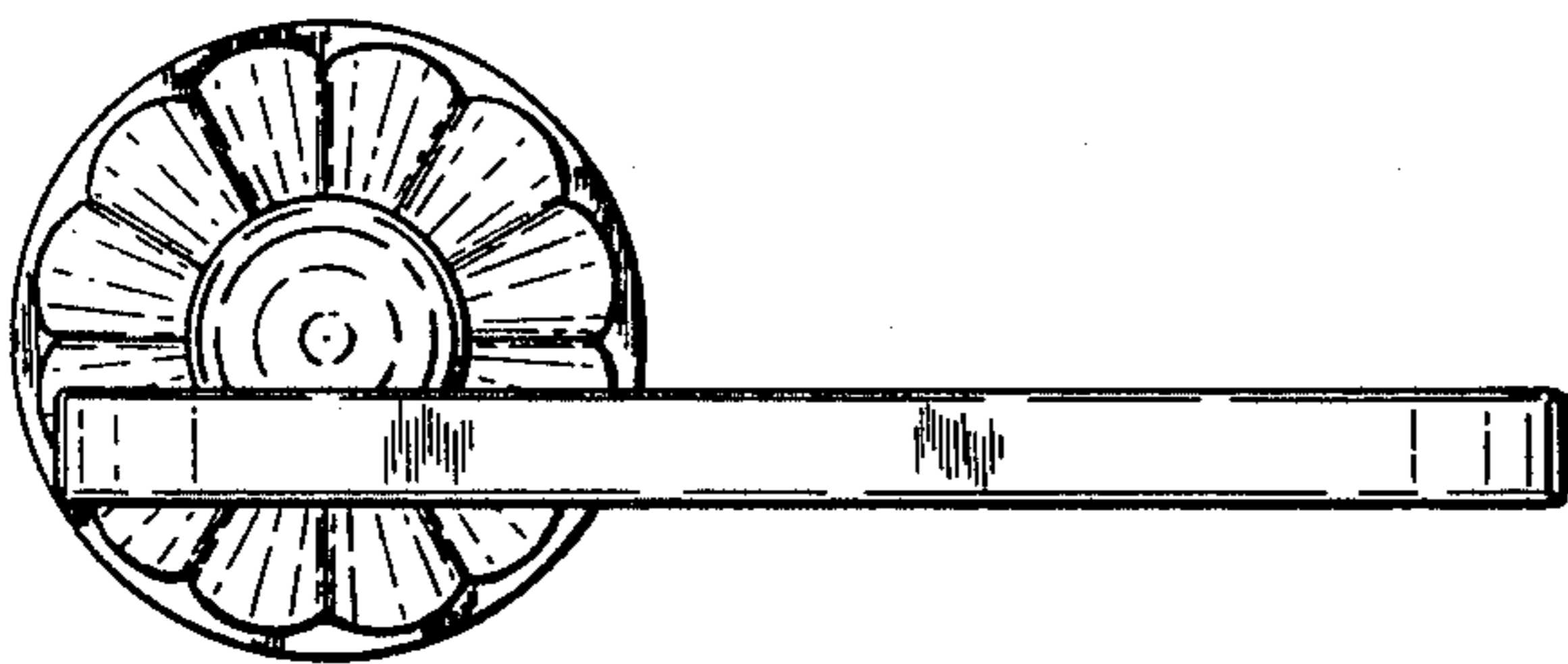


FIG. 8.

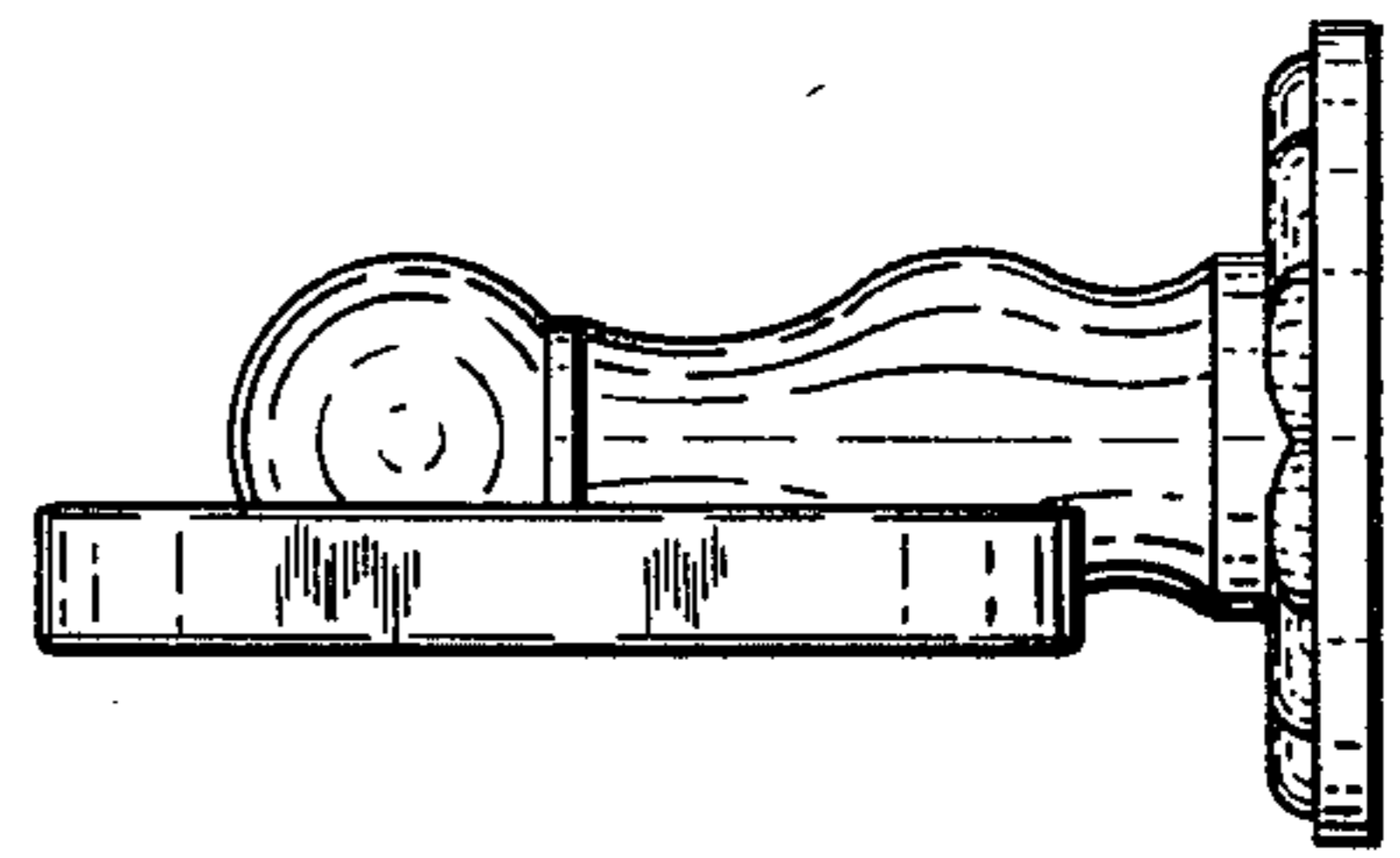


FIG. 9.

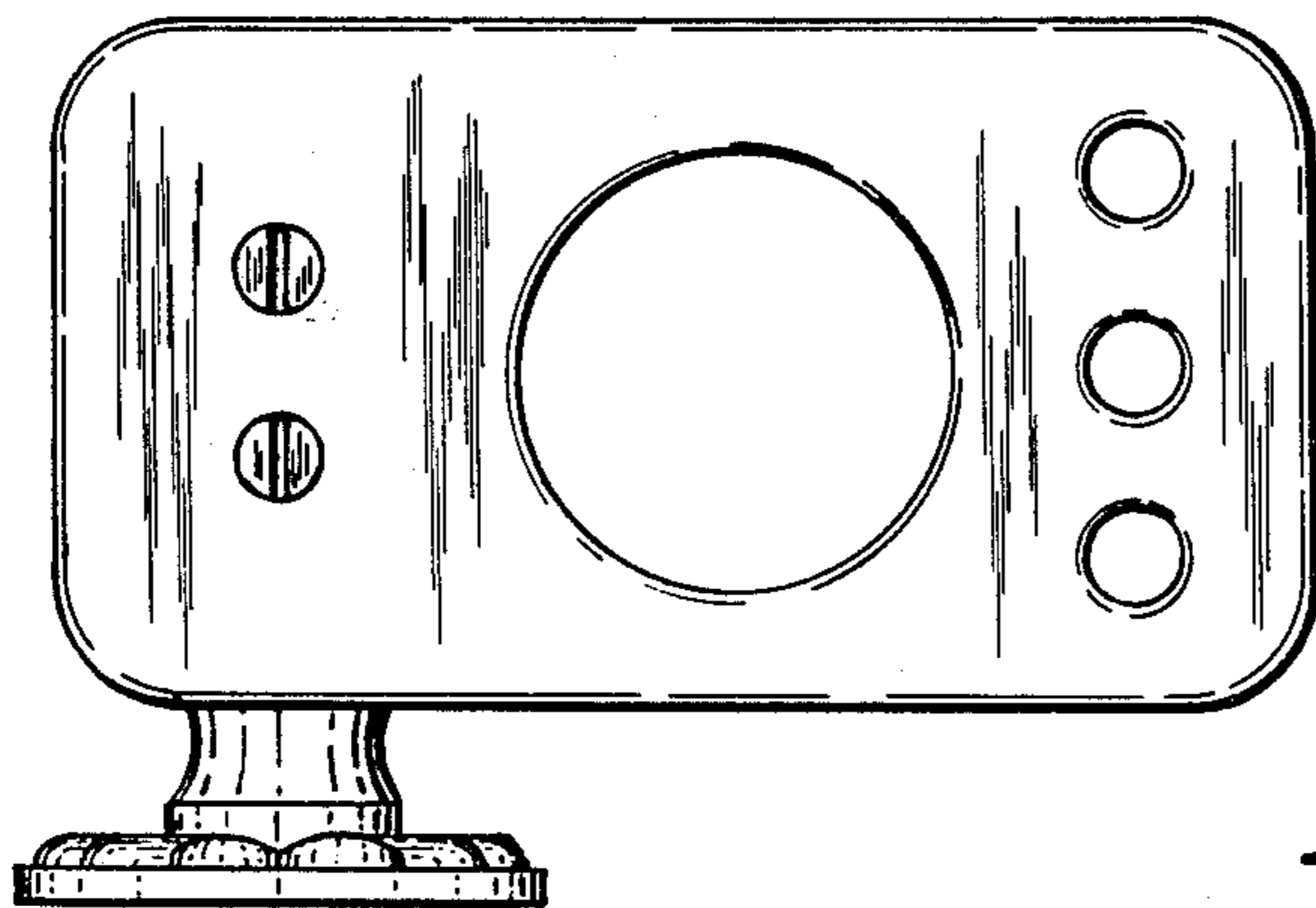


FIG. 10.