

[54] SHELF-MOUNTED RACK

[76] Inventor: Keith J. Beverly, c/o Beverly Coat Hanger Co., Inc., 1215 Fairfax Ave., San Francisco, Calif. 94124

[**] Term: 14 Years

[21] Appl. No.: 813,859

[22] Filed: Dec. 19, 1985

[52] U.S. Cl. D6/513

[58] Field of Search D6/512, 513, 546, 549; 108/29; 211/13, 16, 86, 113, 123, 251, 317, 343, 370

[56] References Cited

U.S. PATENT DOCUMENTS

- D. 129,712 9/1941 Sanford D6/549
- D. 195,297 5/1963 Raphael D6/525
- D. 274,773 7/1984 Coleman D6/549 X
- D. 280,479 9/1985 Williams et al. D6/549 X

- 1,998,899 4/1935 Kratt 211/16 X
- 3,865,336 2/1975 Robertson 211/90 X
- 4,372,449 2/1983 Fink 211/86 X

Primary Examiner—Wallace R. Burke
Assistant Examiner—Brian N. Vinson
Attorney, Agent, or Firm—Poms, Smith, Lande & Rose

[57] CLAIM

The ornamental design for a shelf-mounted rack, as shown and described.

DESCRIPTION

FIG. 1 is a top perspective view of a shelf-mounted rack showing my new design;
FIG. 2 is a bottom perspective view thereof;
FIG. 3 is a right side elevational view thereof, the left side being a mirror image; and
FIG. 4 is a vertical cross-sectional view thereof, taken along line 4—4 of FIG. 2. The partial broken-line showing of a shelf in FIGS. 3 and 4 is for illustrative purposes only and forms no part of the claimed design.

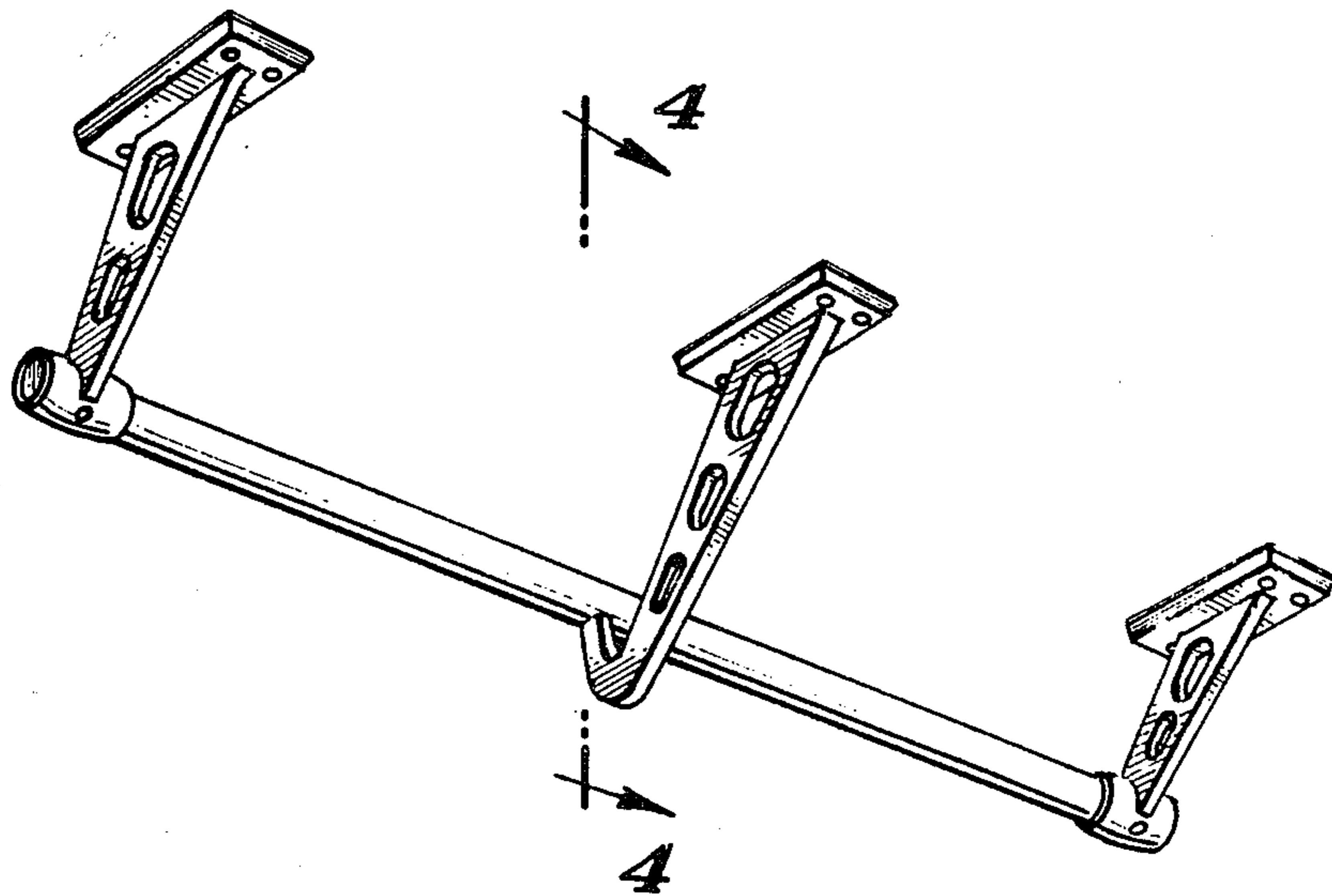


Fig. 1.

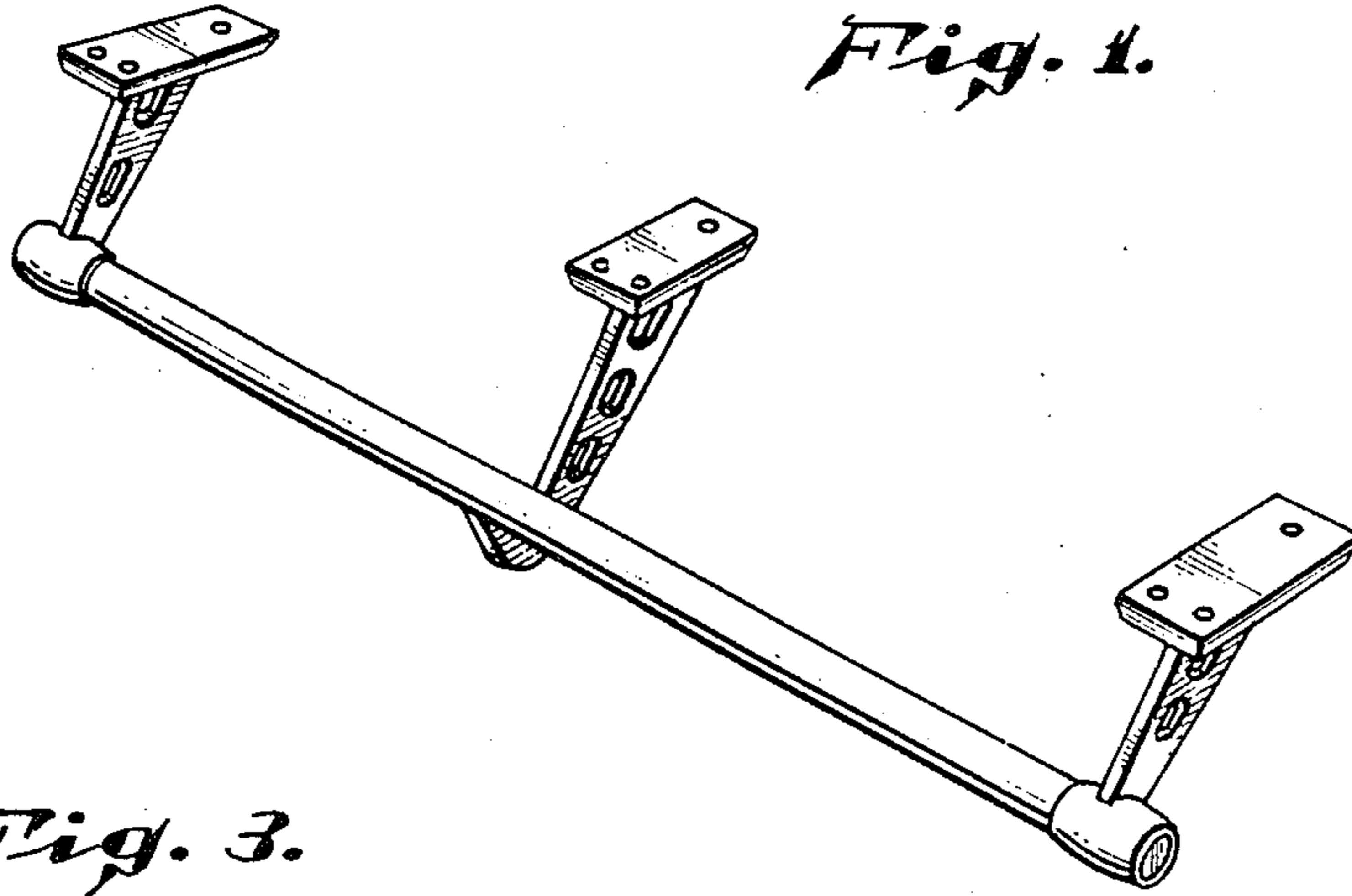


Fig. 3.

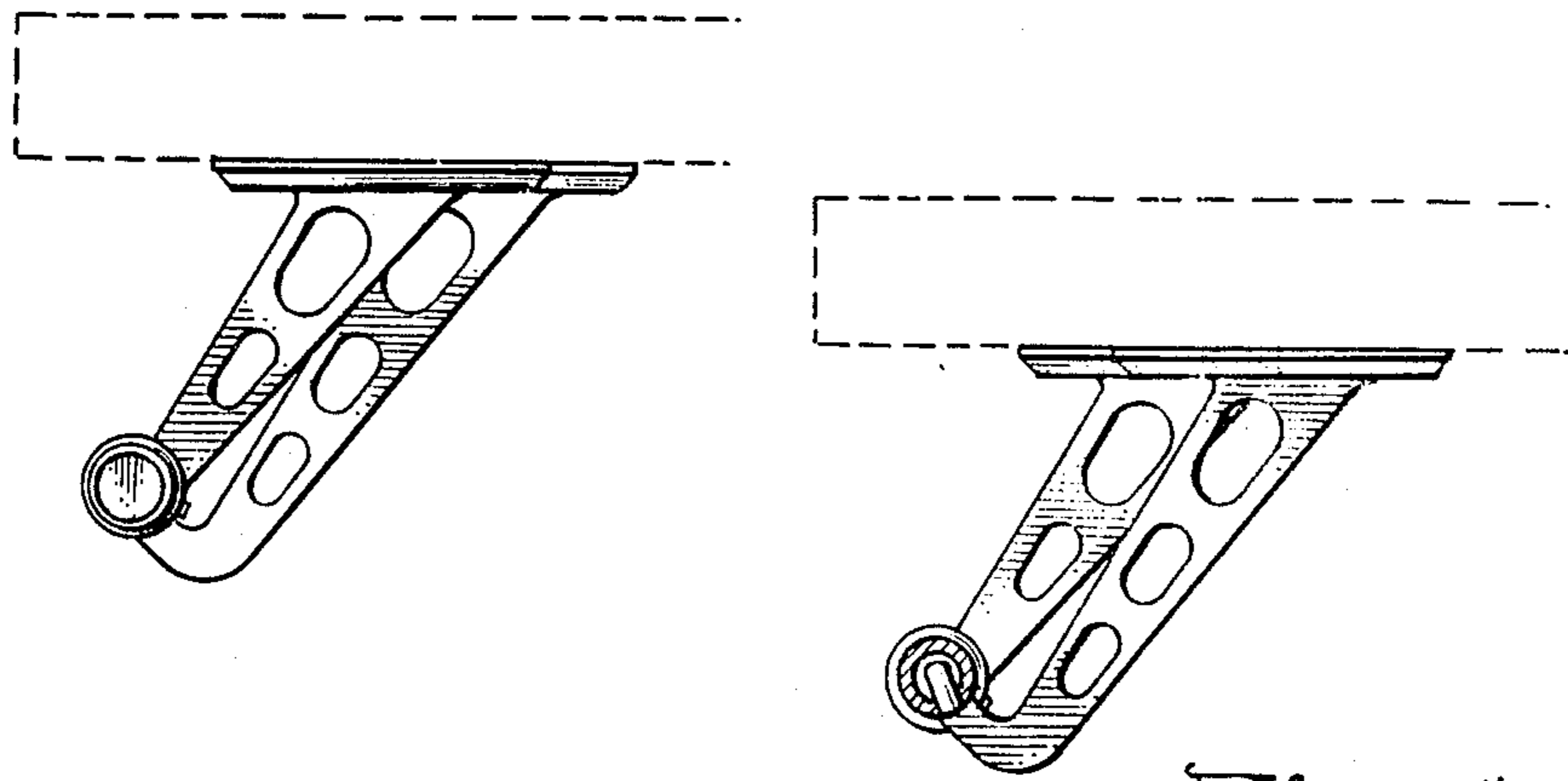


Fig. 4.

Fig. 2.

