

[54] SNARE DRUM STAND FLOOR MOUNT

[76] Inventor: Gilberto B. Diaz, P.O. Box 3287, Taos, N. Mex. 87571

[\*\*] Term: 14 Years

[21] Appl. No.: 71,046

[22] Filed: Oct. 13, 1987

D. 295,004 4/1988 Schulz et al. .... D6/495  
3,264,926 8/1966 Belli ..... D17/22

OTHER PUBLICATIONS

Grammes Metal Products, ©1941, p. 31, Item #917, Hangar.

Primary Examiner—Bruce W. Dunkins

Assistant Examiner—Ann S. Hunt

Related U.S. Application Data

[62] Division of Ser. No. 739,678, May 31, 1985.

[52] U.S. Cl. .... D6/491

[58] Field of Search ..... D6/491, 449; D17/22

[57] CLAIM

The ornamental design for snare drum stand floor mount, as shown and described.

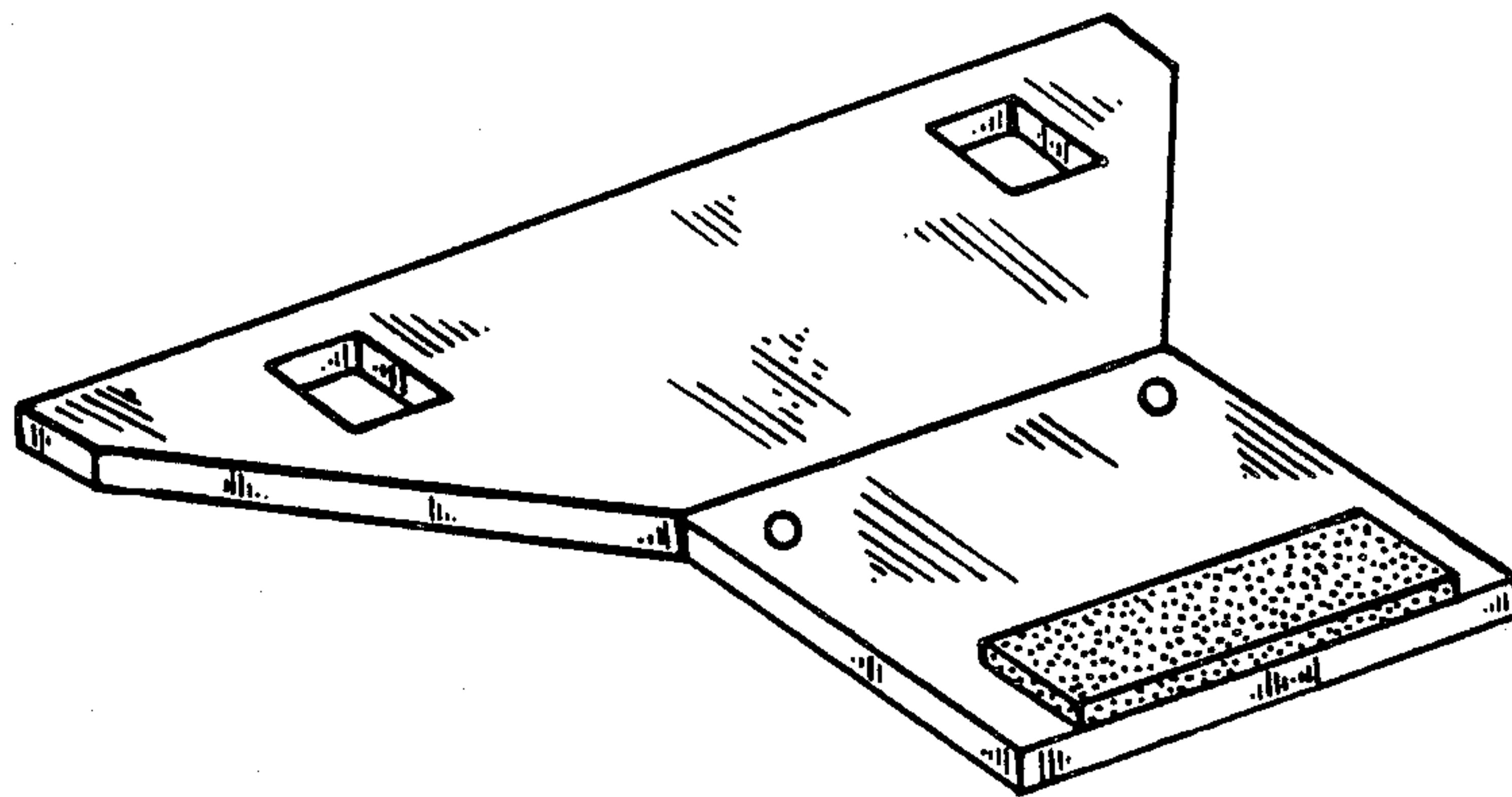
DESCRIPTION

FIG. 1 is a top perspective view of a snare drum stand floor mount showing my new design; FIG. 2 is a bottom perspective view; and, FIG. 3 is a right side elevational view, the left side being a mirror image thereof.

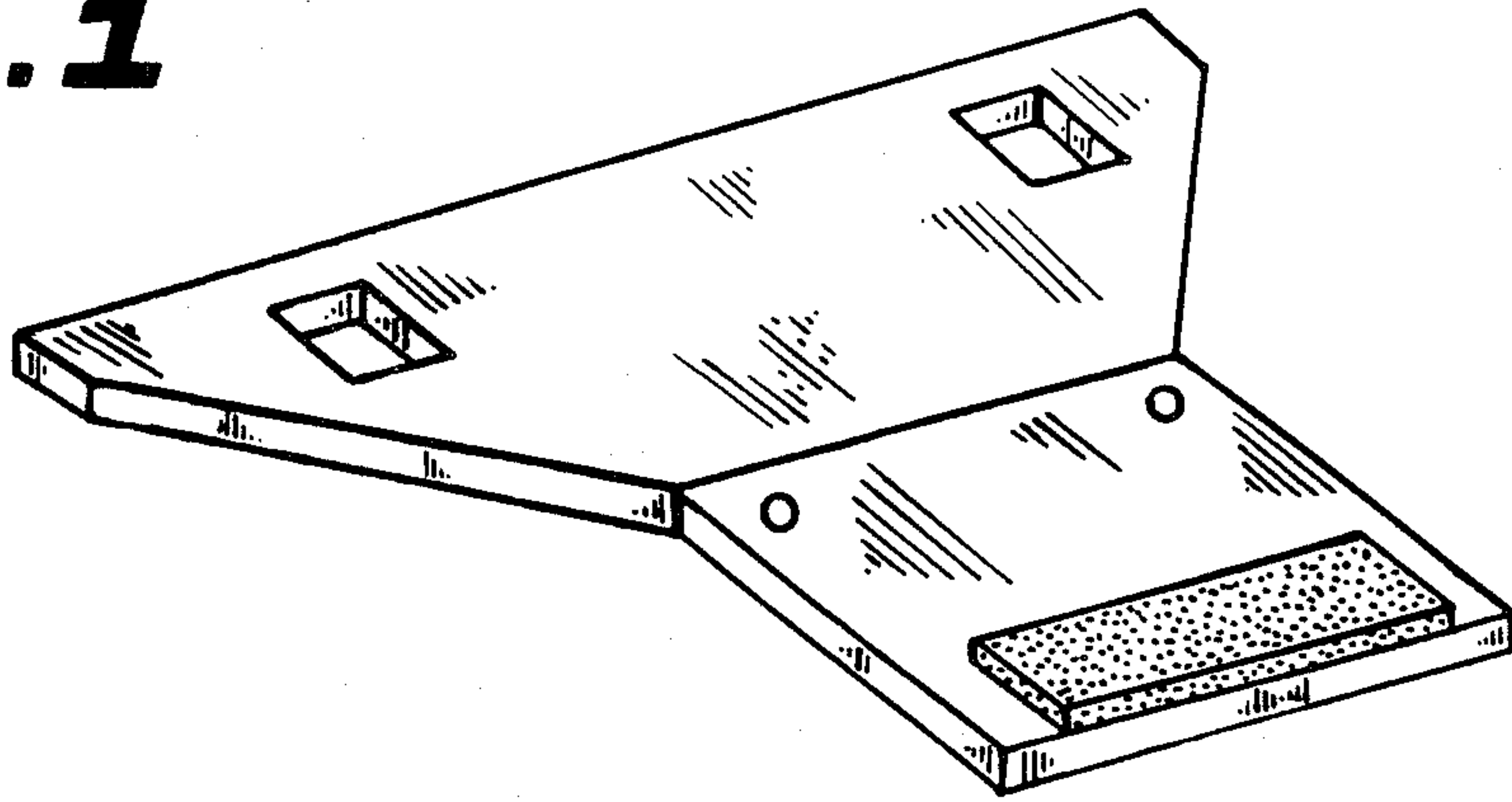
[56] References Cited

U.S. PATENT DOCUMENTS

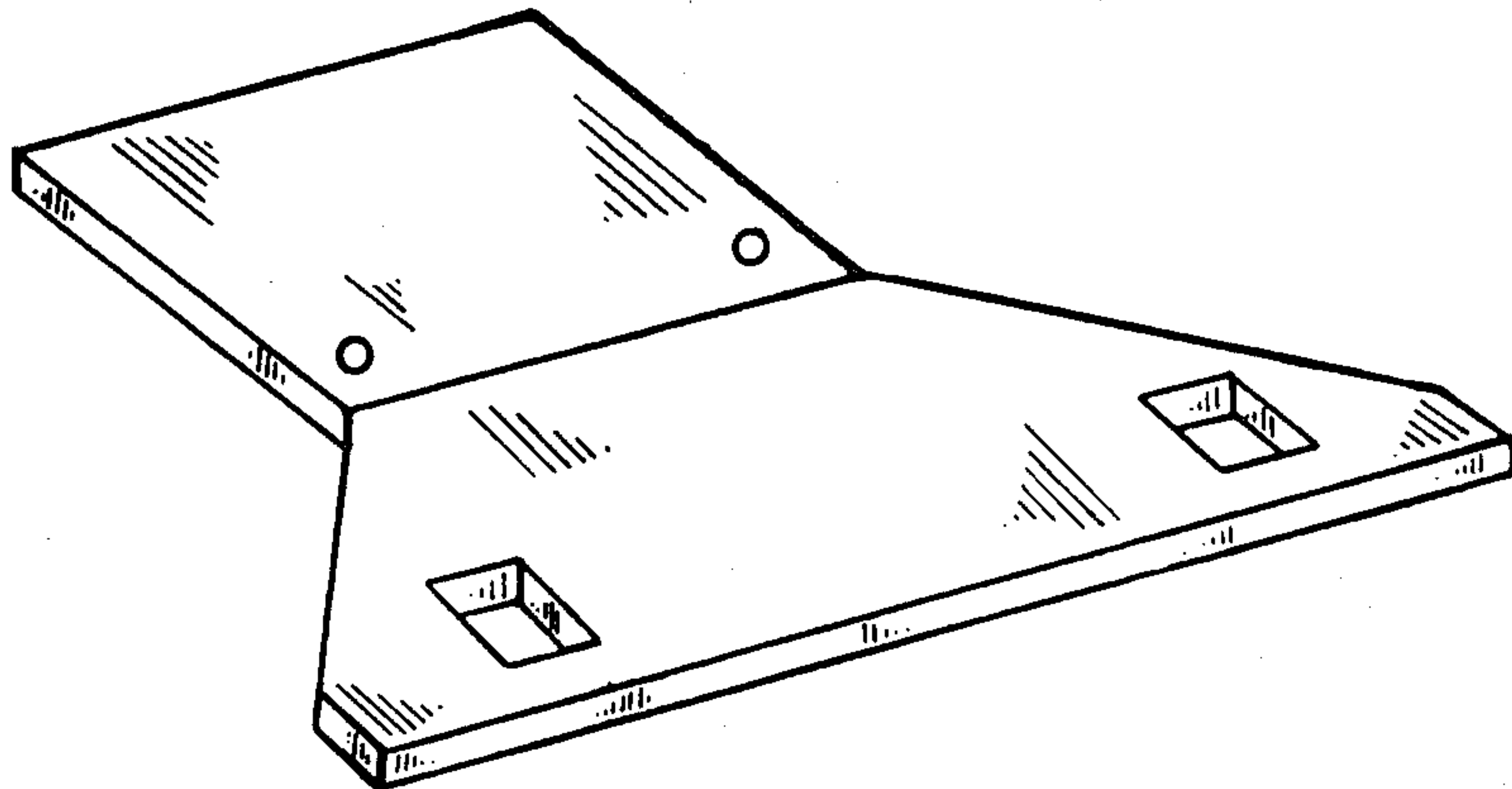
D. 205,474 8/1966 Farnlund ..... D17/22  
D. 261,703 11/1981 Plummer ..... D6/449



**Fig. 1**



**Fig. 2**



**Fig. 3**

