

[54] STORAGE CASE FOR COMPACT DISKS

[76] Inventor: Joseph E. Stanton, 2457 Valley View, Troy, Mich. 48084

[**] Term: 14 Years

[21] Appl. No.: 879,167

[22] Filed: Jun. 26, 1986

[52] U.S. Cl. D6/407

[58] Field of Search D6/407, 553, 559, 573, D6/574; D3/35; 312/10; 211/42; 206/387

[56] References Cited

U.S. PATENT DOCUMENTS

- D. 260,457 9/1981 Rumble D3/35
- D. 263,907 4/1982 Pepicelli D3/35 X
- D. 283,957 5/1986 Stravitz D6/407
- D. 289,342 4/1987 Reichow D6/407 X
- 1,477,634 12/1923 Connor 211/42 X

4,655,345 4/1987 Drake 312/10 X

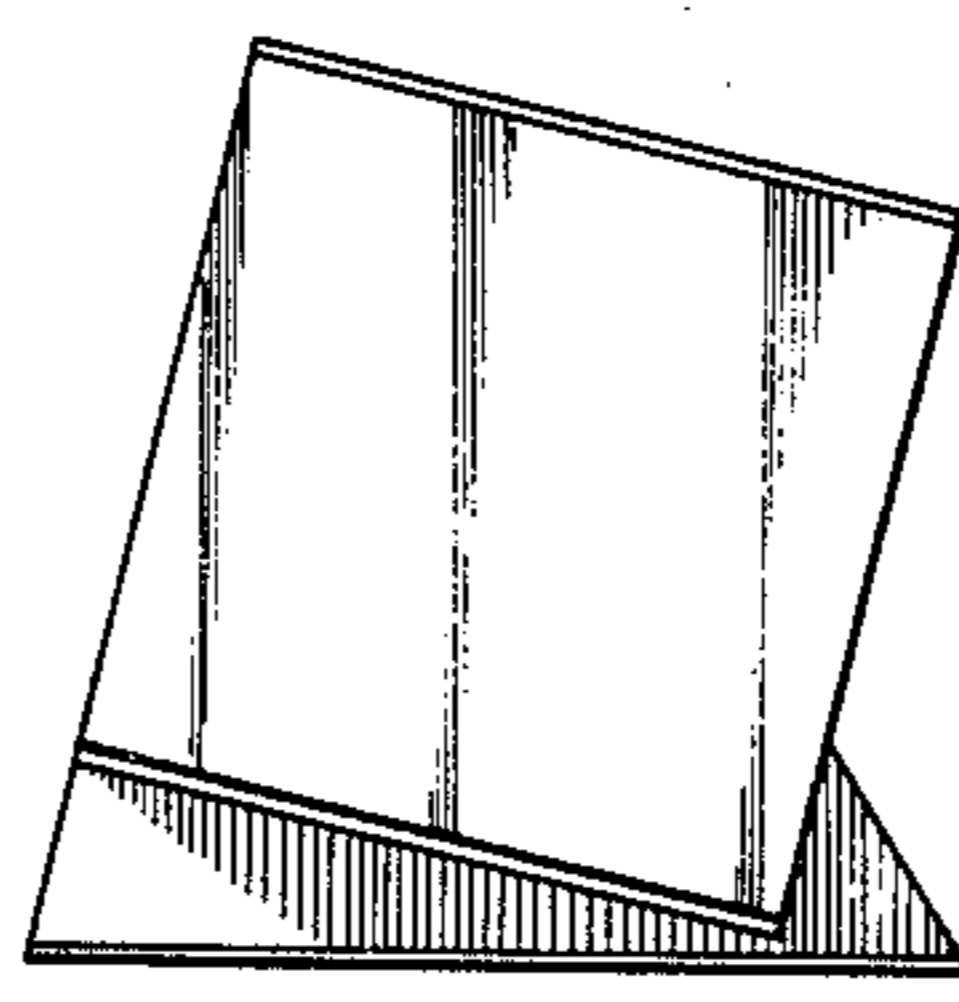
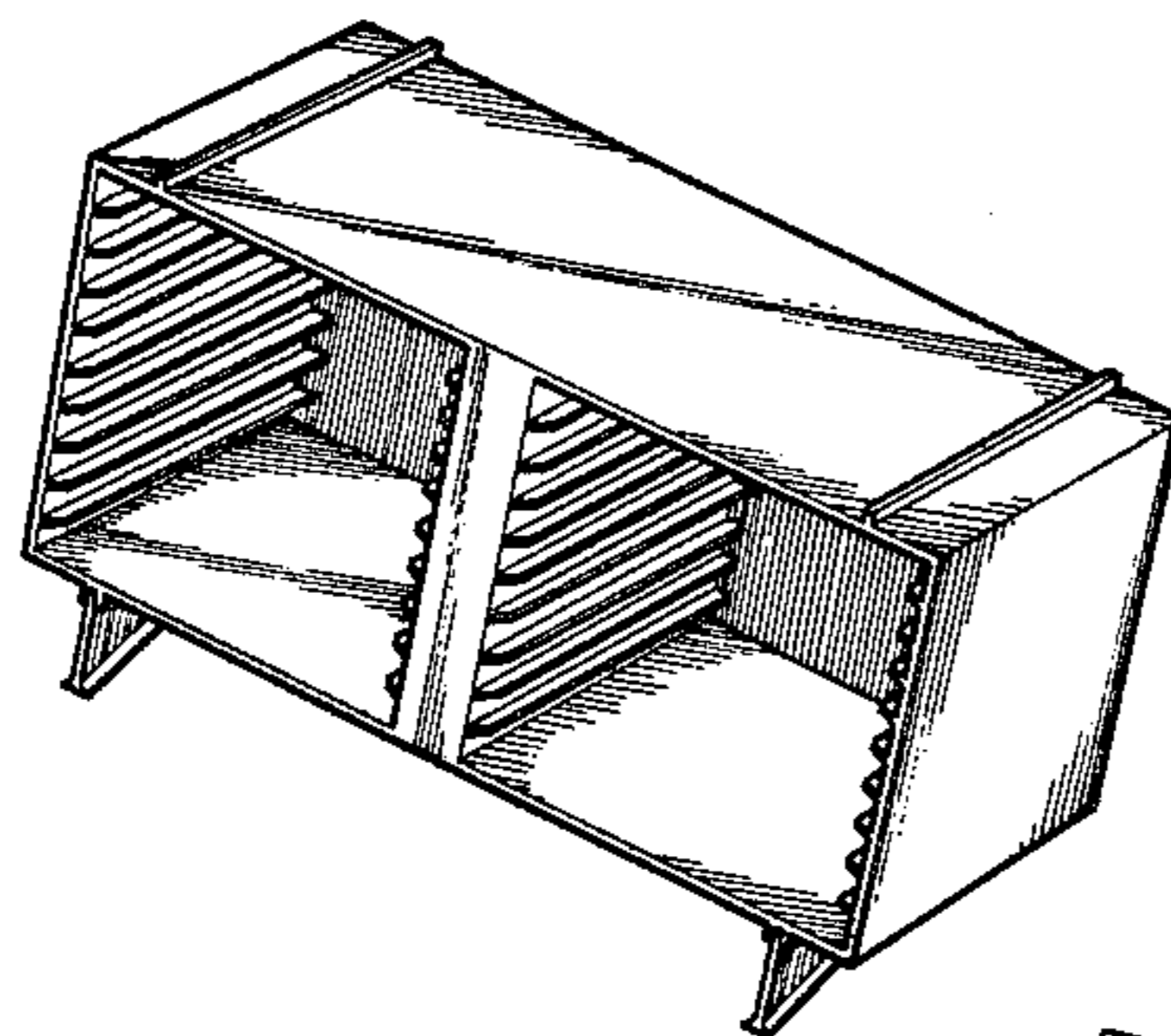
Primary Examiner—Carmen H. Vales-Lado
Attorney, Agent, or Firm—Reising, Ethington, Barnard, Perry & Milton

[57] CLAIM

The ornamental design for a storage case for compact disks, as shown and described.

DESCRIPTION

FIG. 1 is a front perspective view of a storage case for compact disks showing my new design.
 FIG. 2 is an enlarged side elevational view of FIG. 1; the opposite side being a mirror image thereof;
 FIG. 3 is a rear elevational view thereof;
 FIG. 4 is a cross sectional view taken on line 4 of FIG. 3.
 FIG. 5 is a bottom plan view thereof; and
 FIG. 6 is a front elevational view thereof.



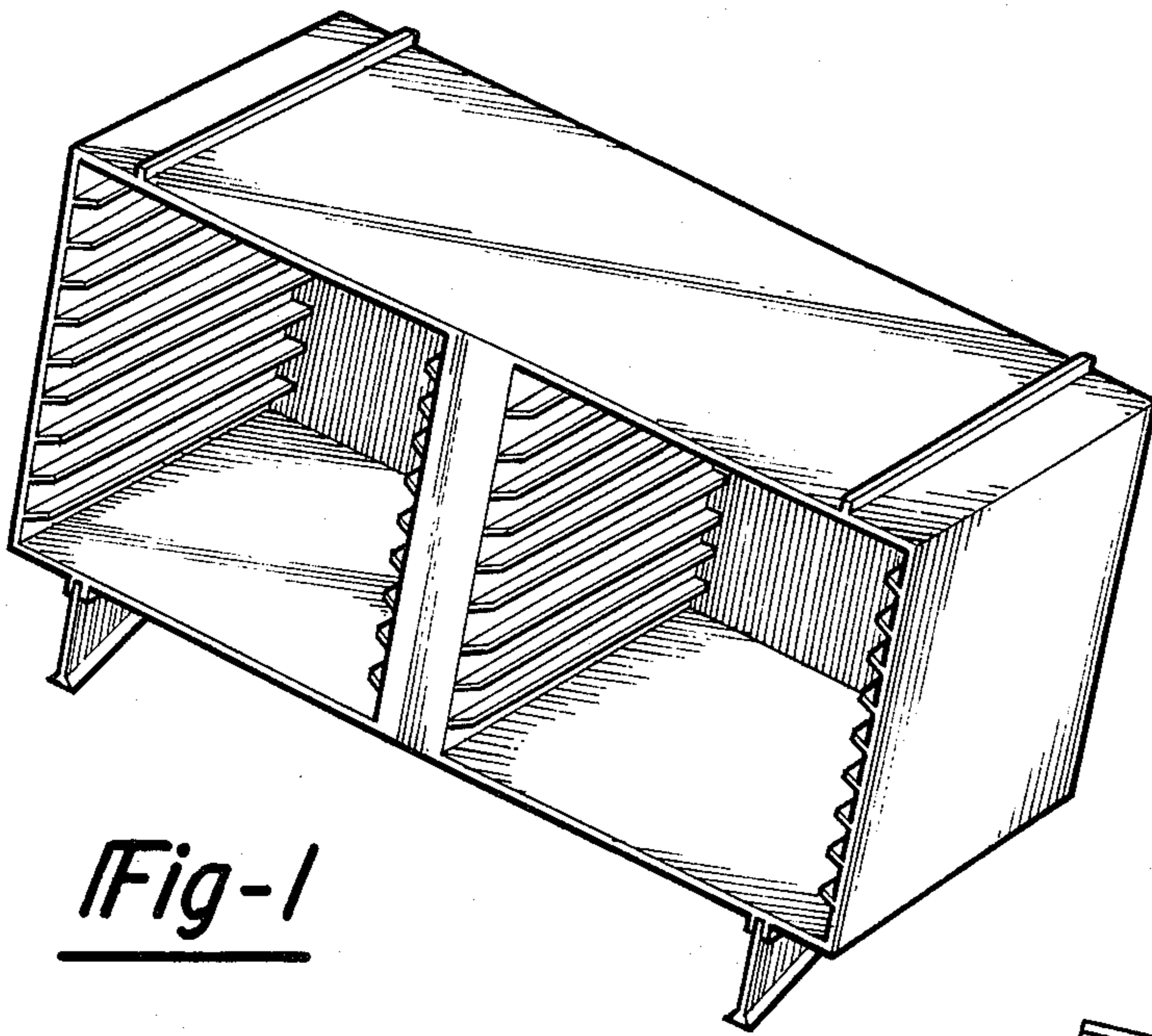


Fig-1

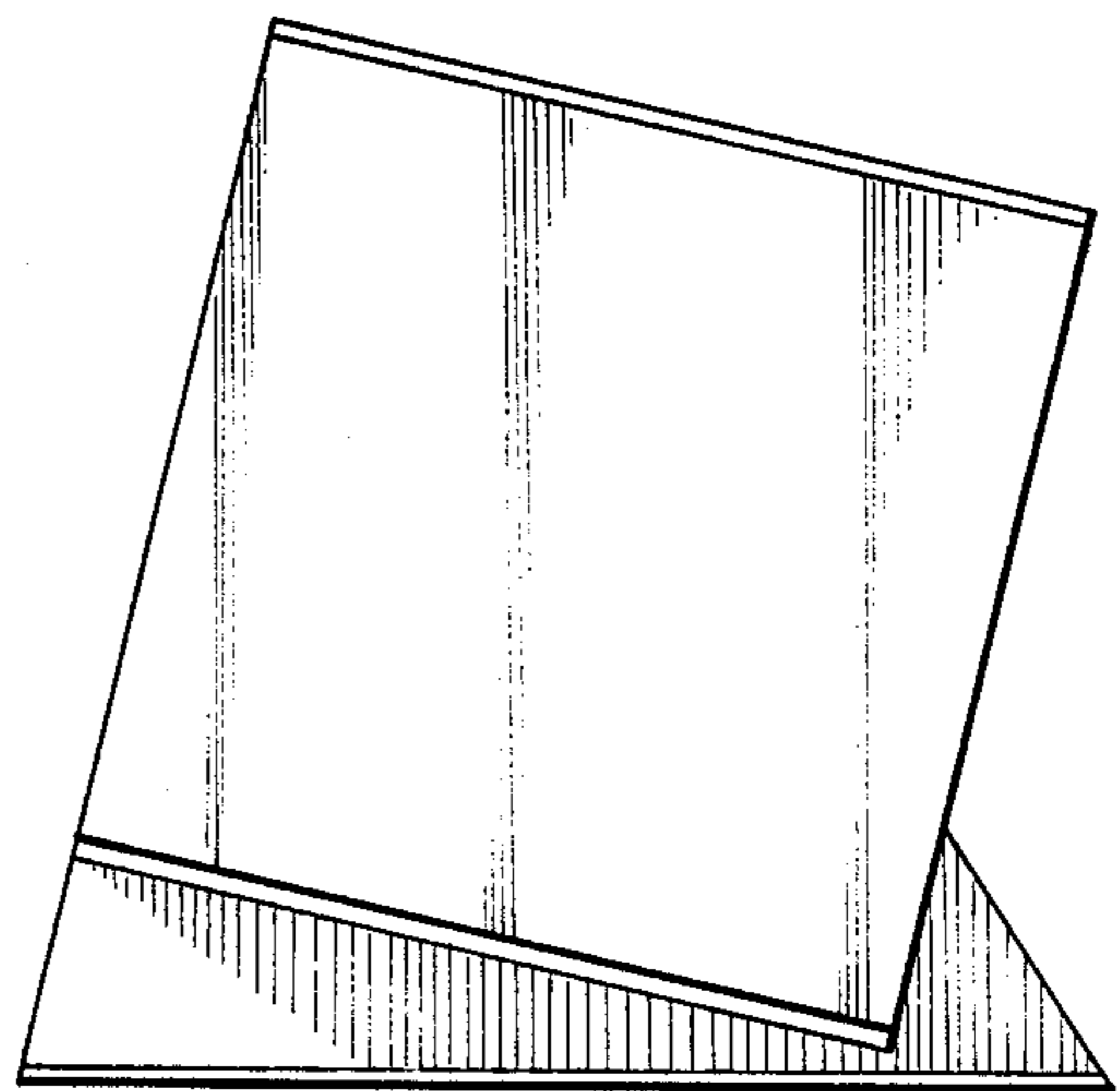


Fig-2

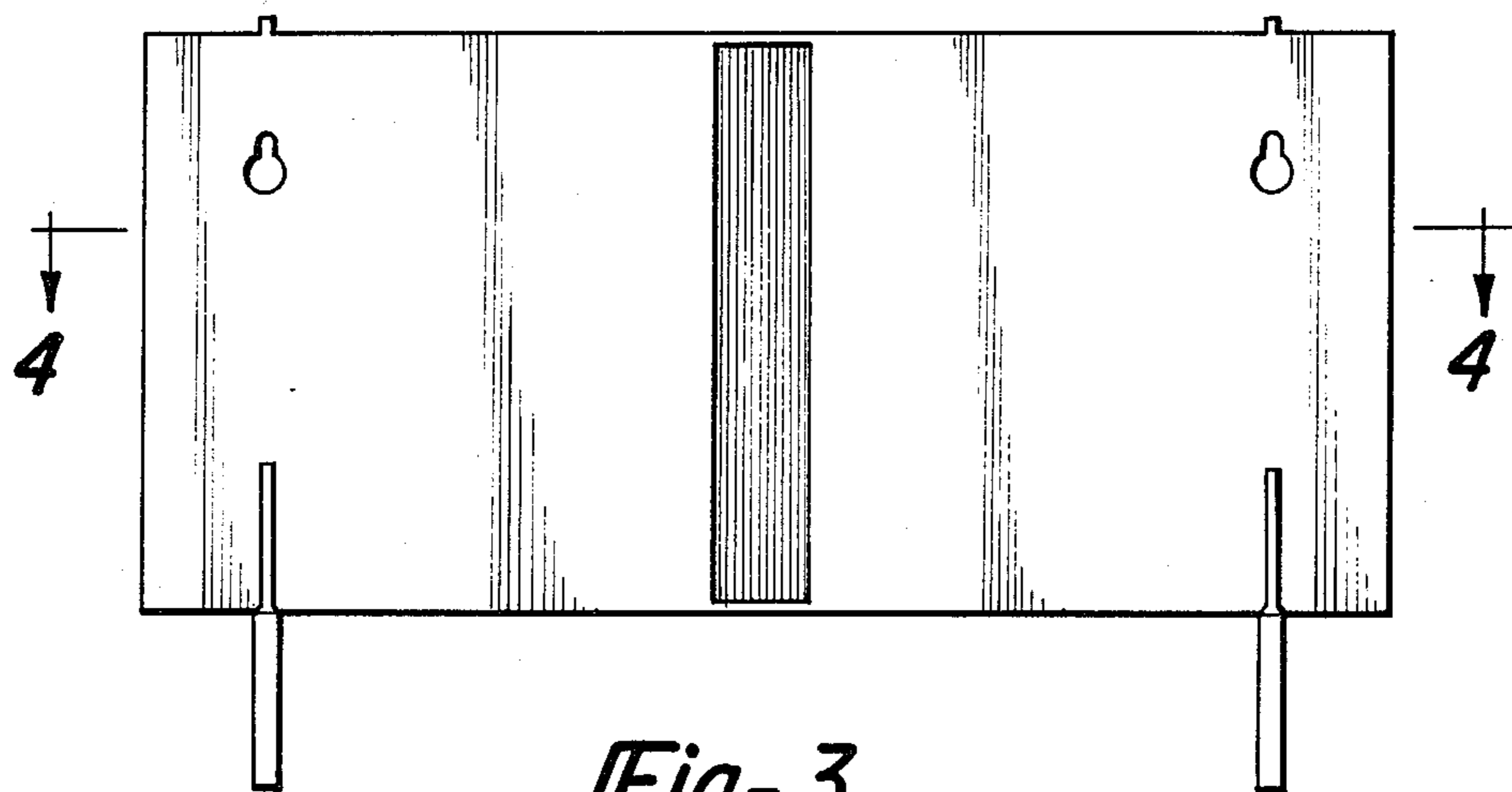


Fig-3

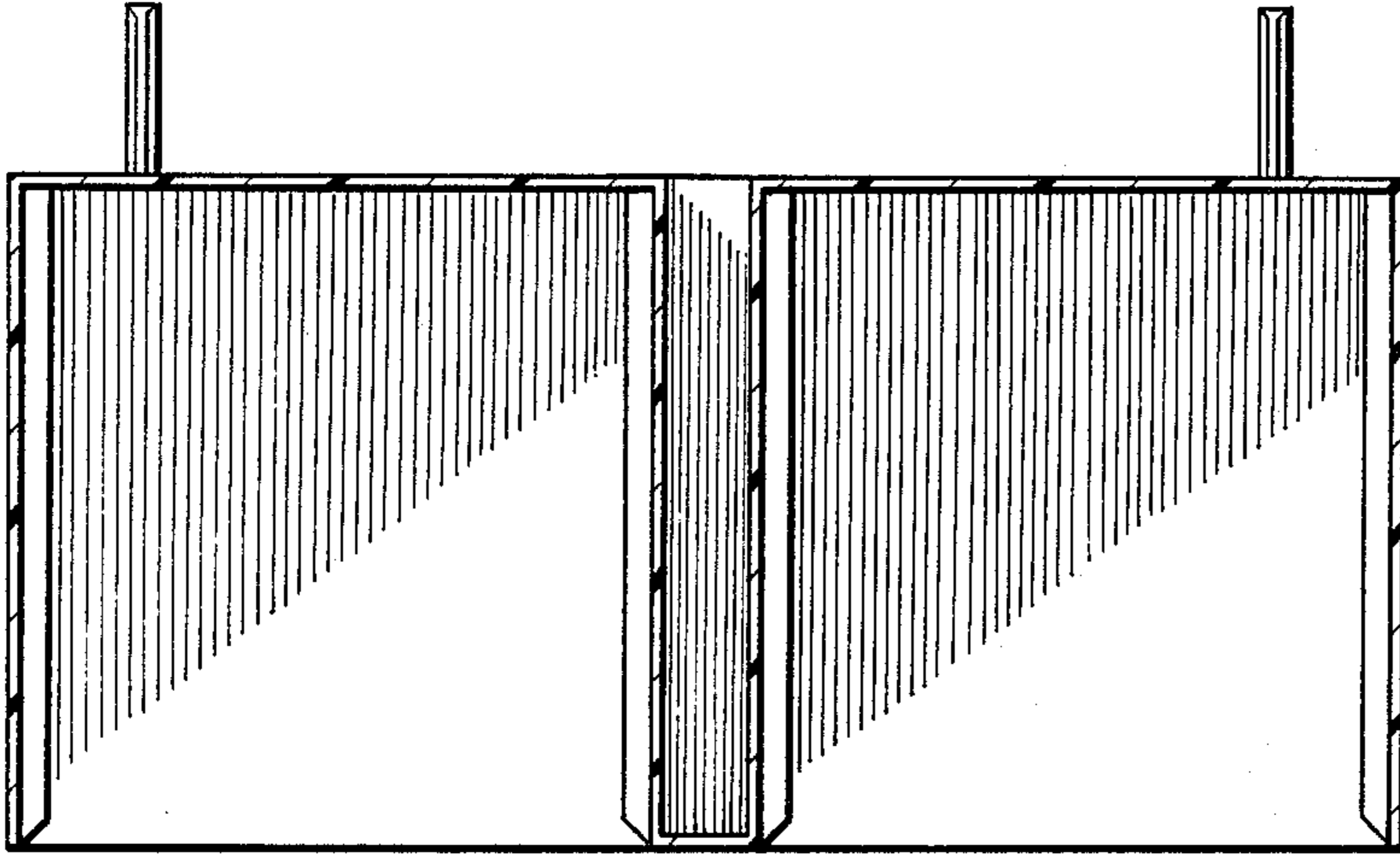


Fig-4

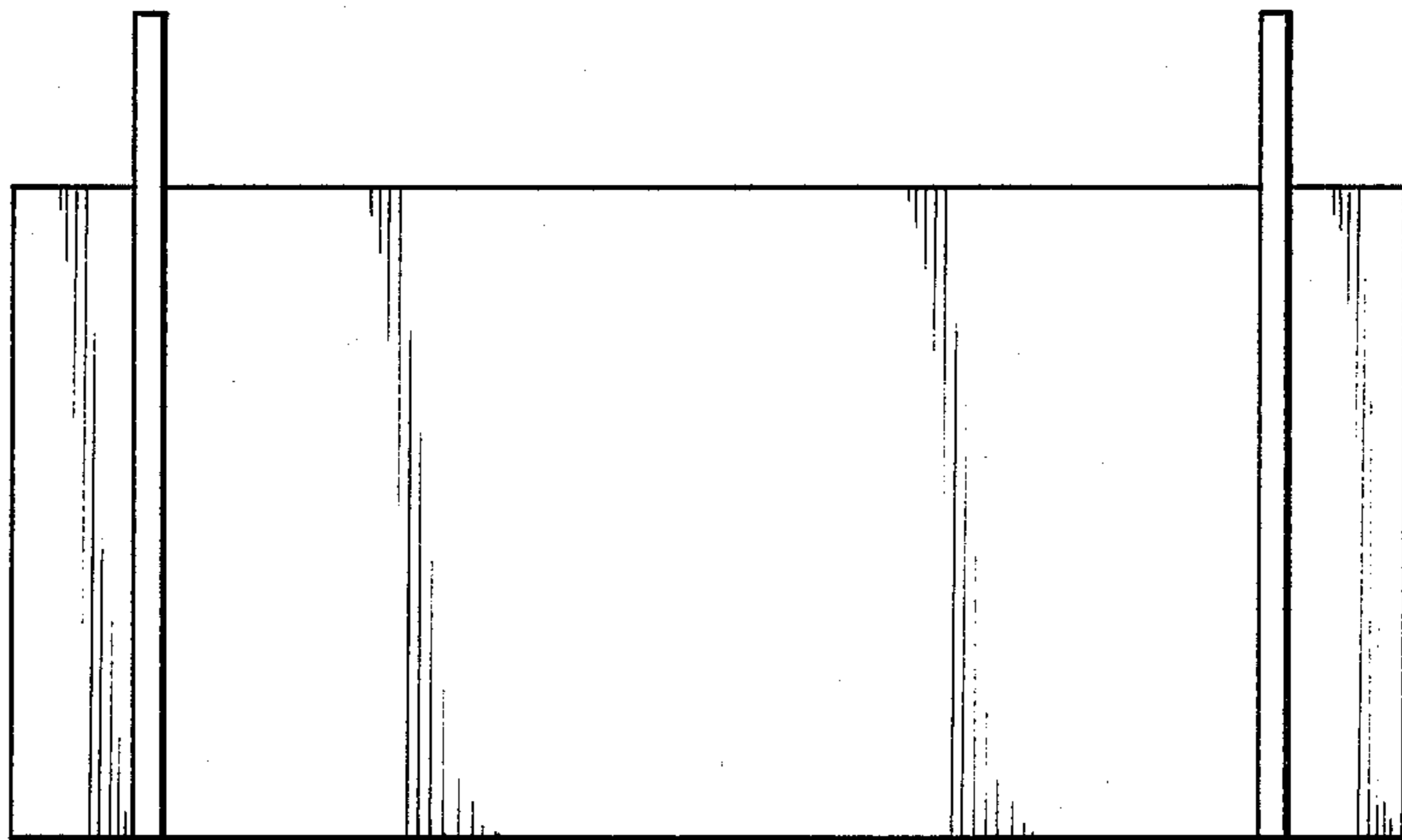


Fig-5

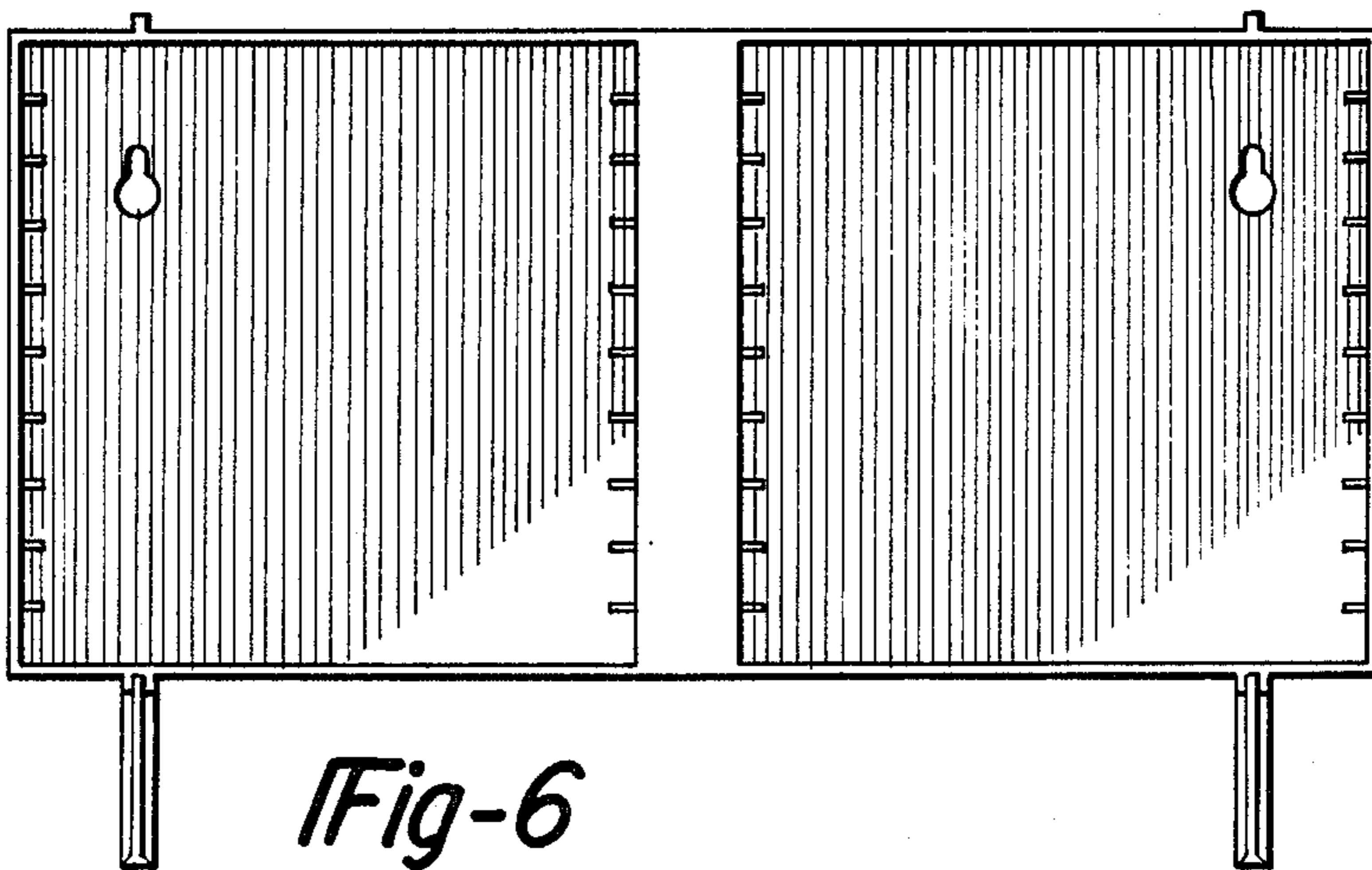


Fig-6